



US00D661682S

(12) **United States Design Patent**
Polito

(10) **Patent No.:** **US D661,682 S**
(45) **Date of Patent:** **** Jun. 12, 2012**

(54) **PUBLIC ADDRESS SYSTEM**

(75) Inventor: **Theodore A. Polito**, Windham, NH (US)

(73) Assignee: **Gentex Corporation**, Simpson, PA (US)

(**) Term: **14 Years**

(21) Appl. No.: **29/396,666**

(22) Filed: **Jul. 5, 2011**

(51) **LOC (9) Cl.** **14-01**

(52) **U.S. Cl.** **D14/186**

(58) **Field of Classification Search** D14/185,
D14/186, 495, 168, 194, 197, 217, 225, 226,
D14/137, 210–216, 172; 181/150–153, 157,
181/198, 199, 158, 242; 381/300–306, 332,
381/333, 336, 345, 361–364, 386–388
See application file for complete search history.

(56) **References Cited**

U.S. PATENT DOCUMENTS

D216,018	S *	11/1969	Sieler	D14/186
4,090,033	A *	5/1978	Silverstein	381/75
D253,651	S *	12/1979	Richards	D14/185
5,513,384	A *	4/1996	Brennan et al.	455/180.1
5,812,685	A *	9/1998	Fujita et al.	381/332
5,963,631	A *	10/1999	Fazio et al.	379/202.01
D471,175	S *	3/2003	Lo	D14/185
6,947,566	B2 *	9/2005	Mears	381/75
D512,979	S *	12/2005	Corcoran et al.	D14/185
D621,814	S *	8/2010	Graber	D14/212
7,791,496	B2 *	9/2010	Anderson et al.	340/691.1

* cited by examiner

Primary Examiner — Prabhakar Deshmukh

(74) *Attorney, Agent, or Firm* — Morgan, Lewis & Bockius LLP

(57) **CLAIM**

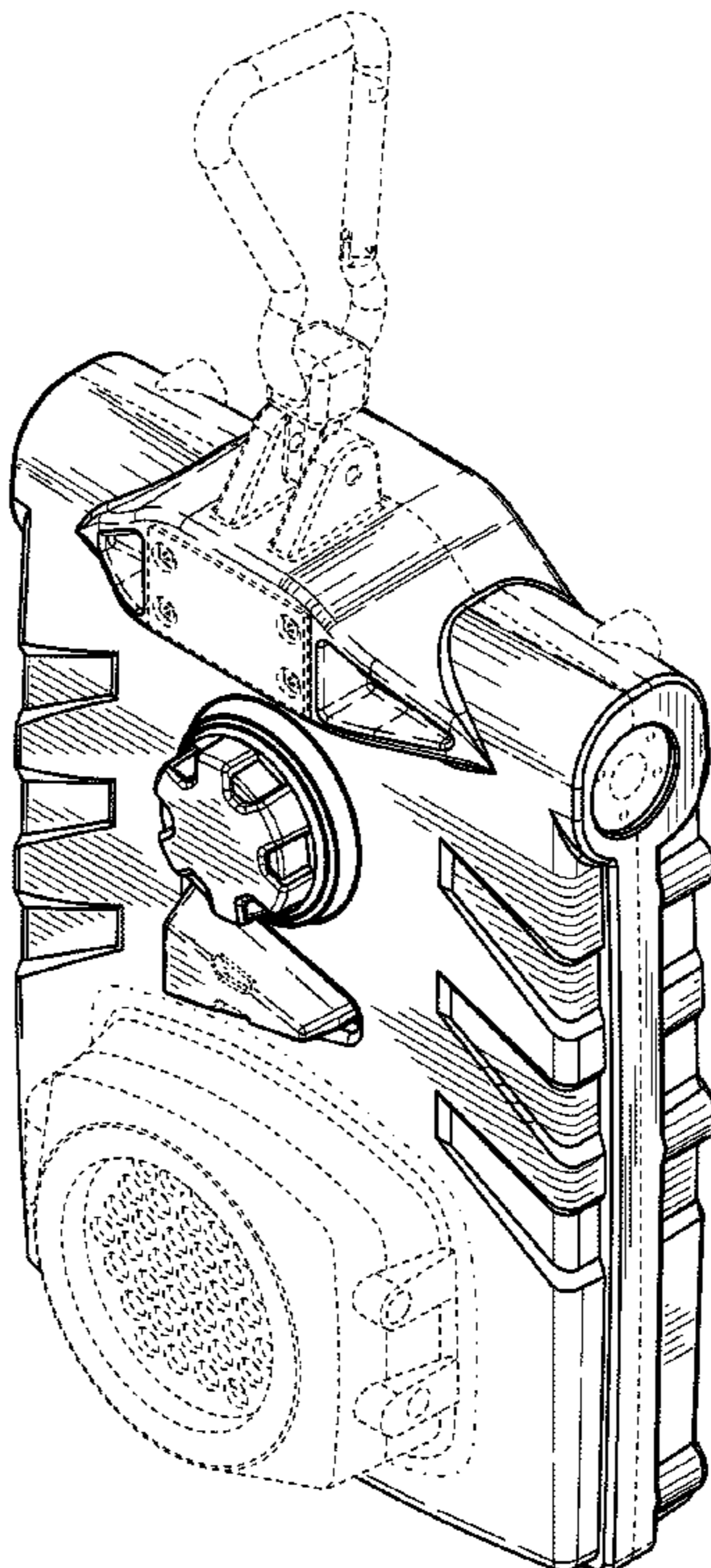
The ornamental design for a public address system, as shown and described.

DESCRIPTION

FIG. 1 is a front perspective view of a first embodiment of a public address system showing my new design; FIG. 2 is a front orthographic view thereof; FIG. 3 is a rear orthographic view thereof; FIG. 4 is a left side orthographic view thereof; FIG. 5 is a right side orthographic view thereof; FIG. 6 is a top orthographic view thereof; FIG. 7 is a bottom orthographic view thereof; FIG. 8 is a front perspective view of a second embodiment of a public address system showing my new design; FIG. 9 is a front orthographic view thereof; FIG. 10 is a rear orthographic view thereof; FIG. 11 is a left side orthographic view thereof; FIG. 12 is a right side orthographic view thereof; FIG. 13 is a top orthographic view thereof; and, FIG. 14 is a bottom orthographic view thereof.

The dash-dot lines shown in FIGS. 1-5, 7-12, and 14 represent boundary lines between claimed and unclaimed subject matter, with the dash-dot lines themselves representing unclaimed subject matter. The dashed lines shown in FIGS. 1-14 are included for the purpose of illustrating environmental subject matter only and form no part of the claimed design.

1 Claim, 14 Drawing Sheets



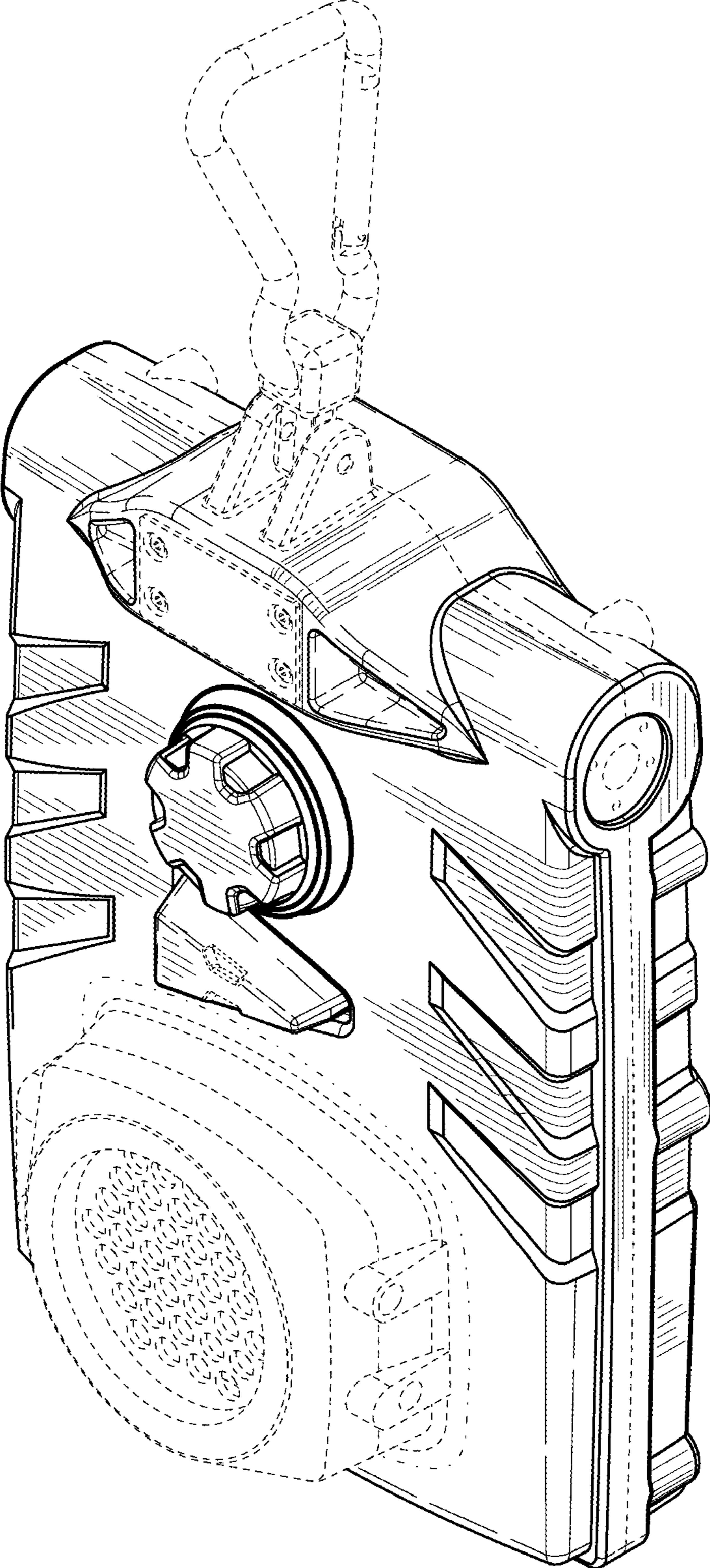


FIG. 1

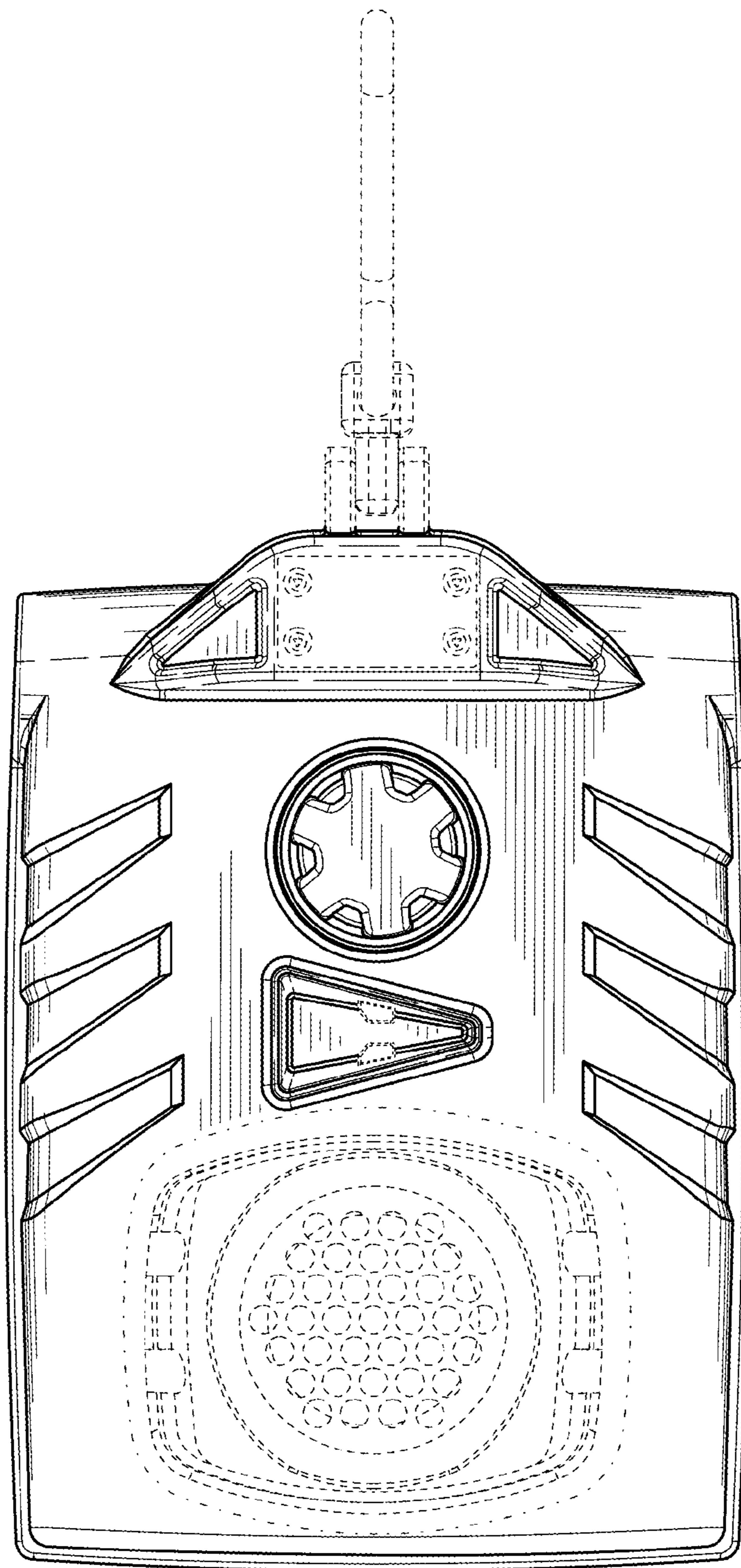


FIG. 2

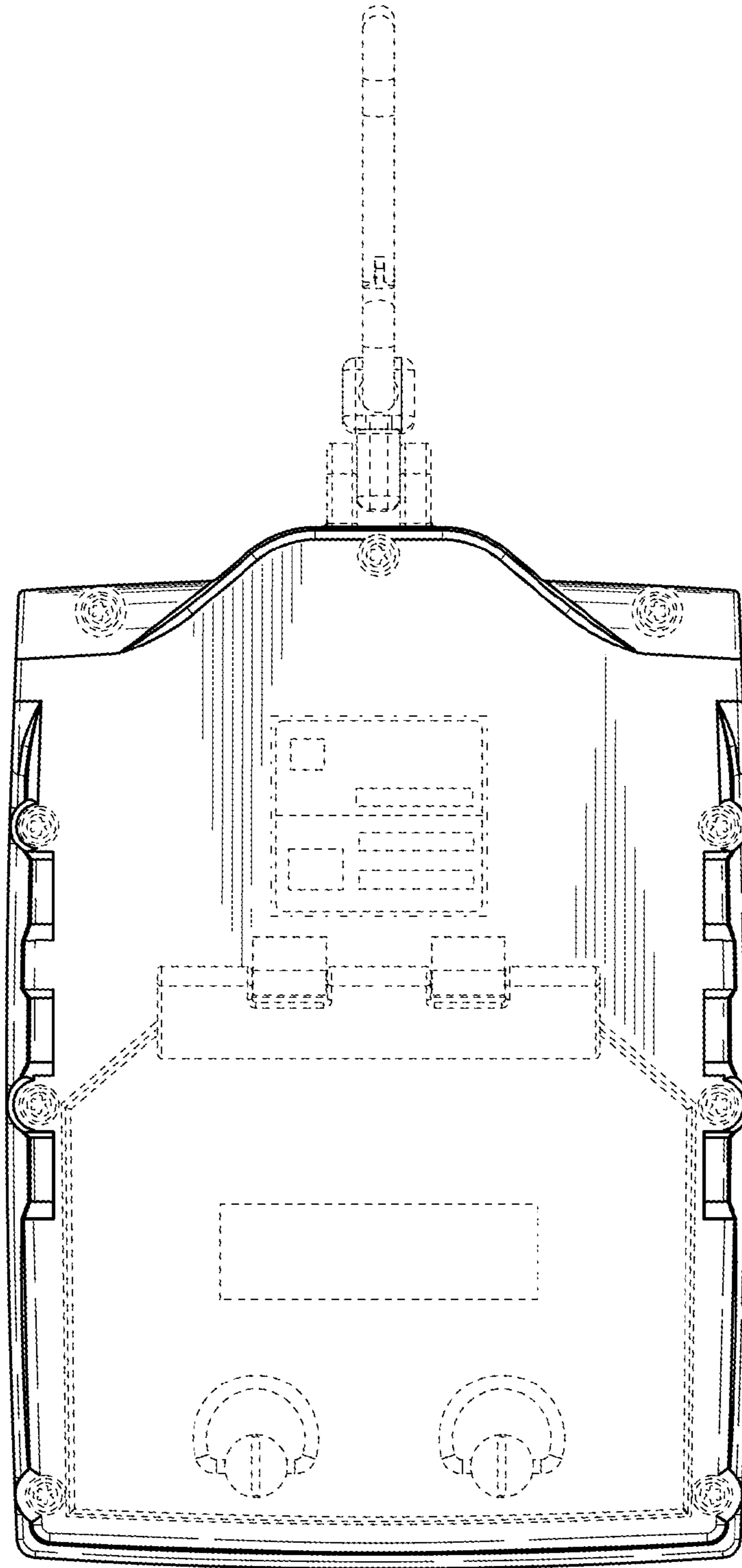


FIG. 3

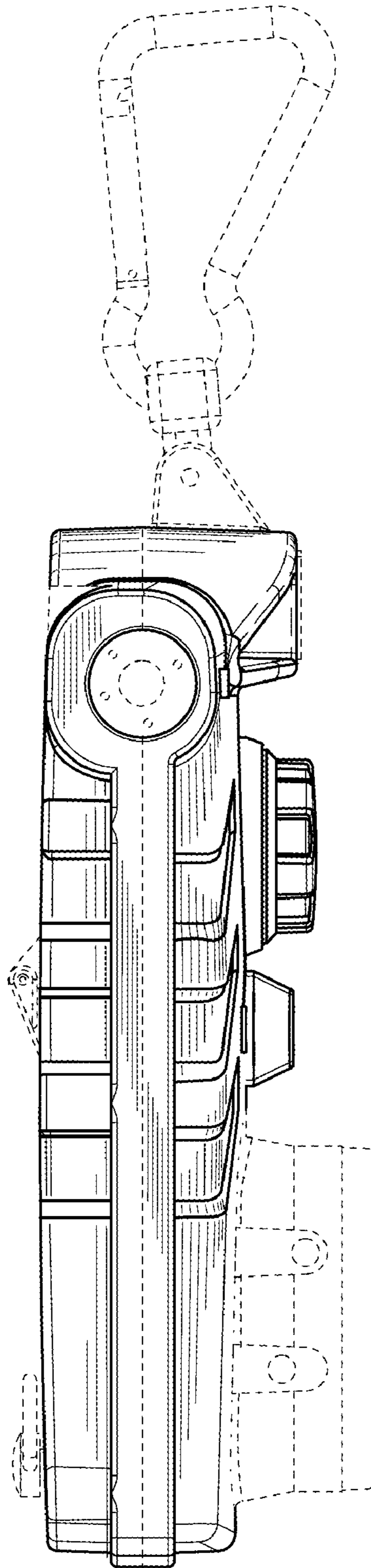


FIG. 4

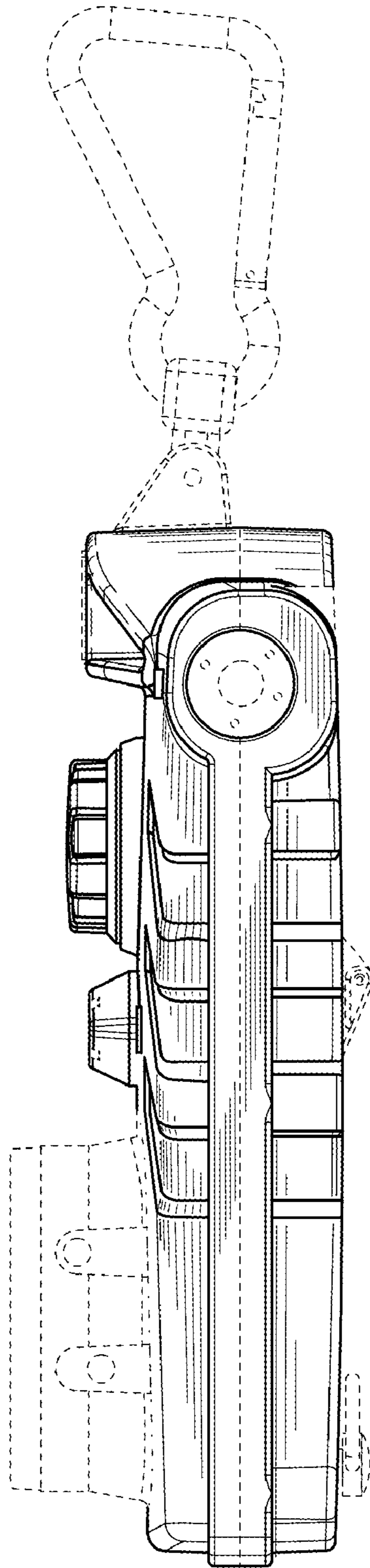


FIG. 5

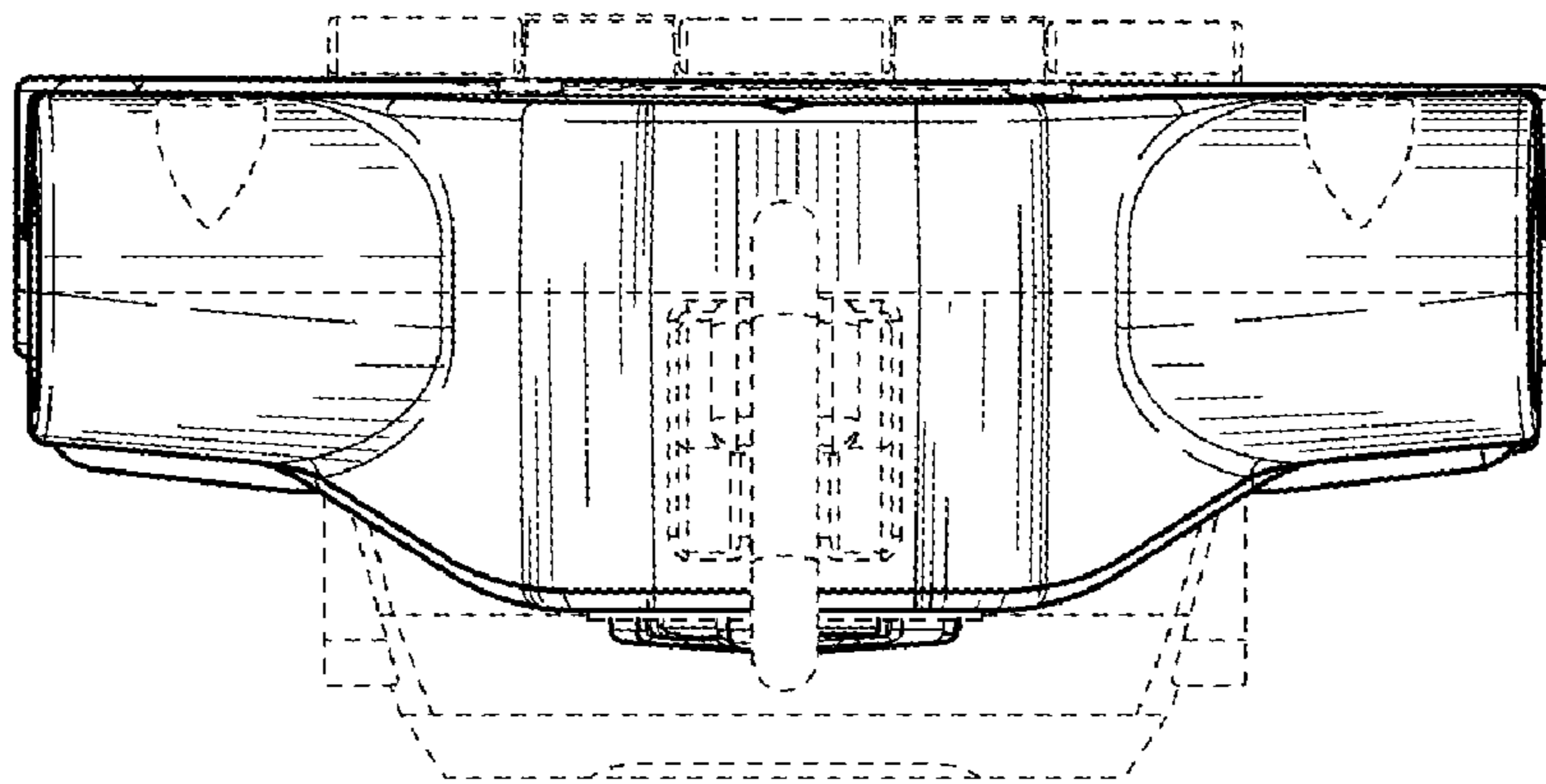


FIG. 6

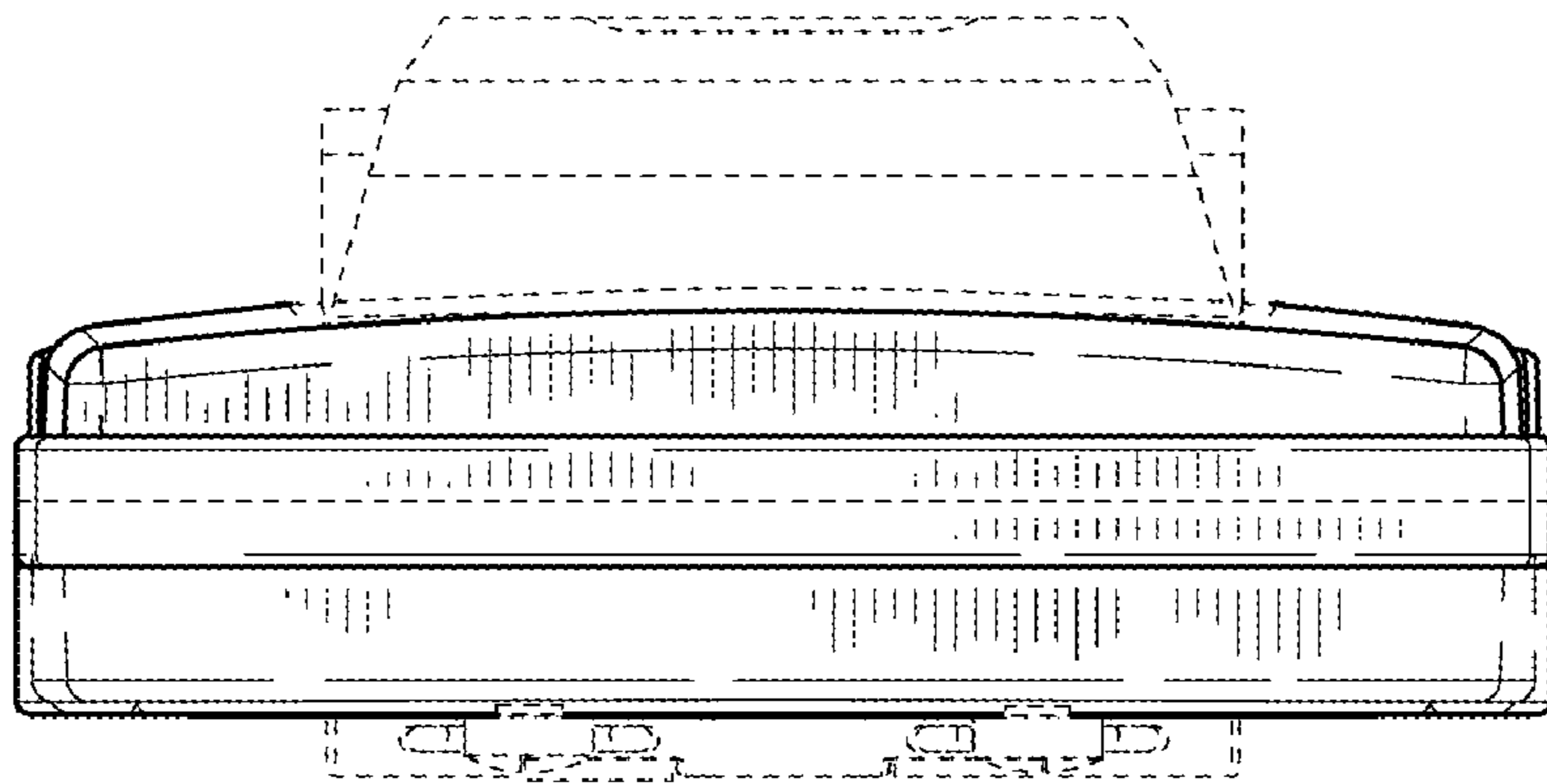


FIG. 7

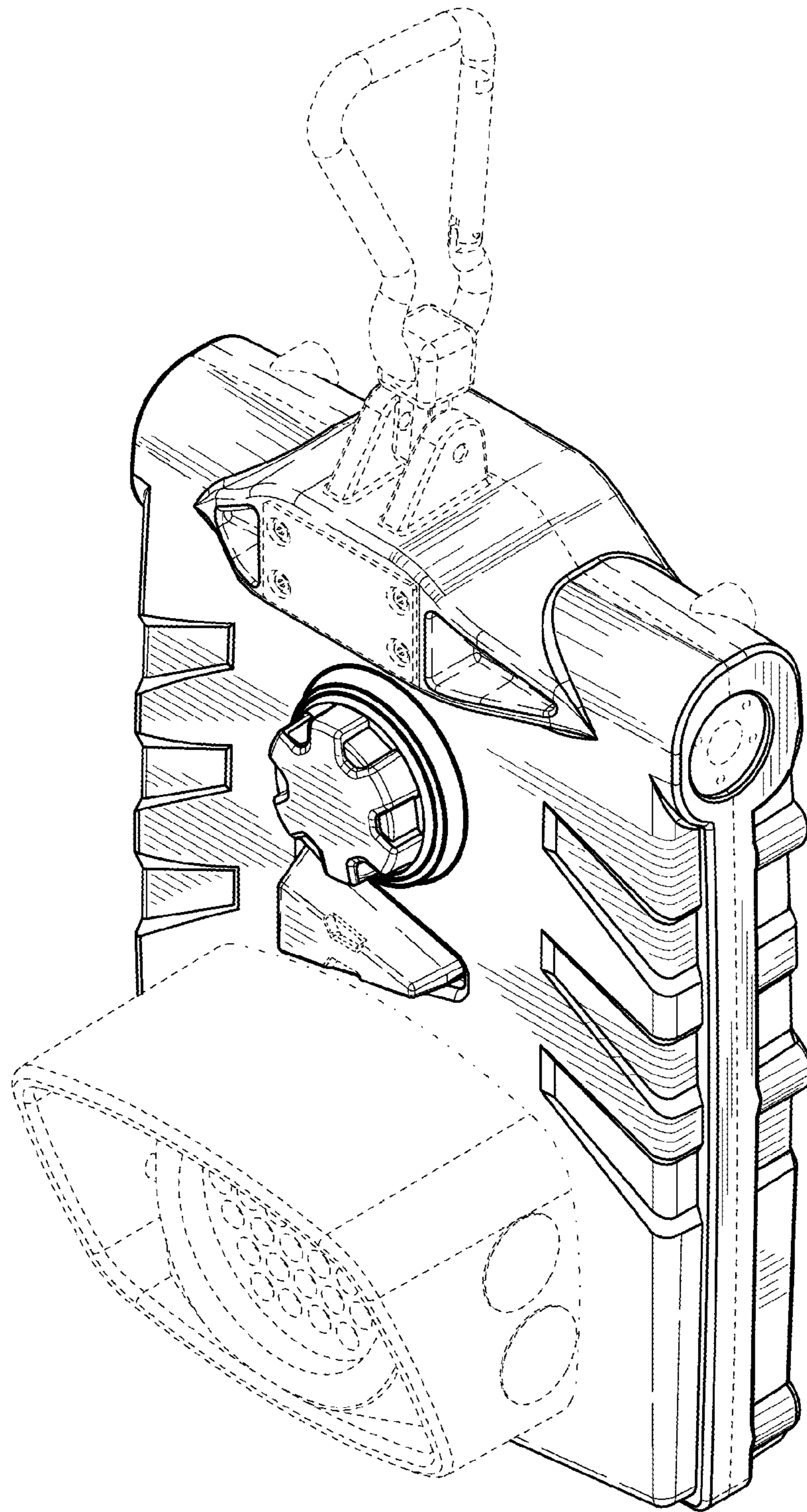


FIG. 8

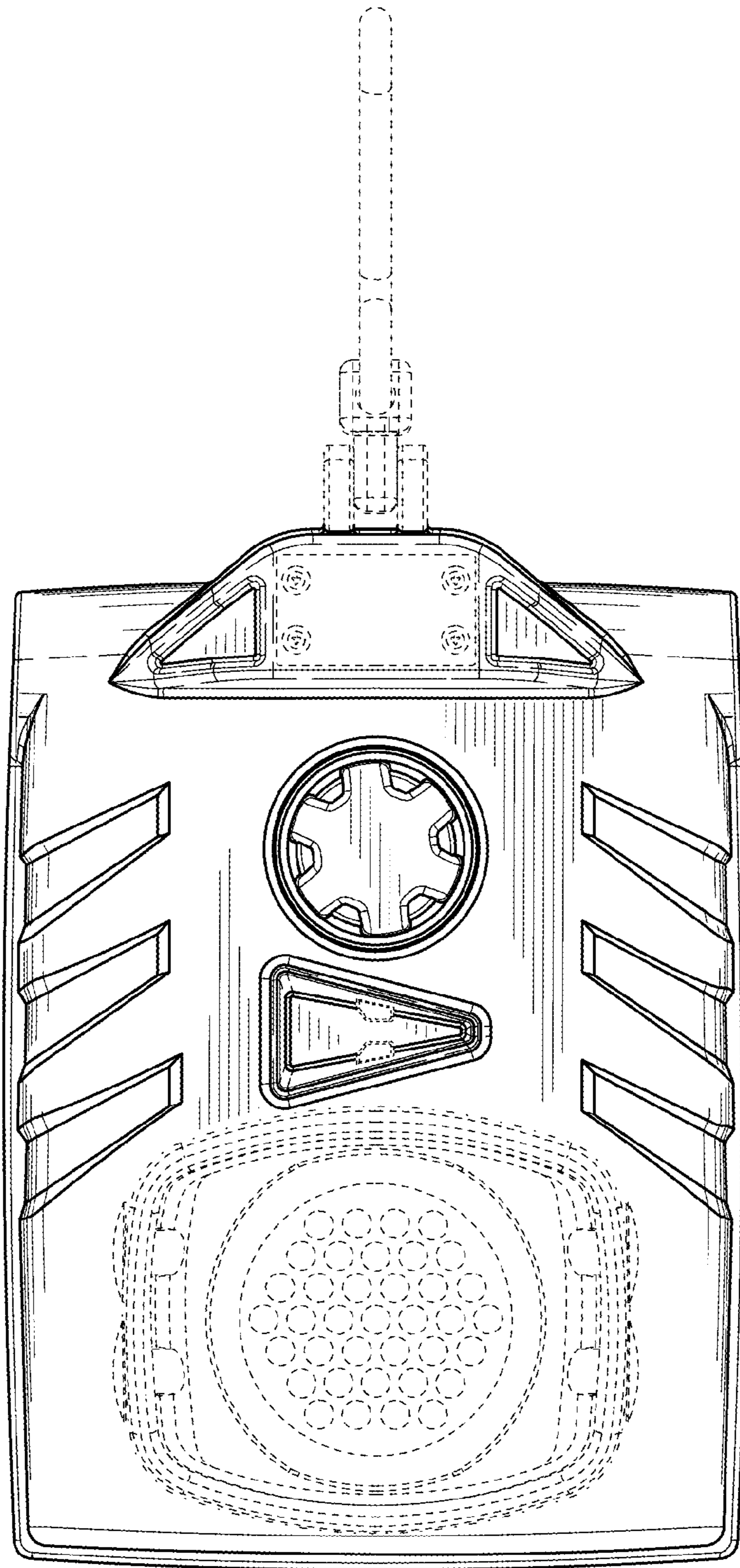


FIG. 9

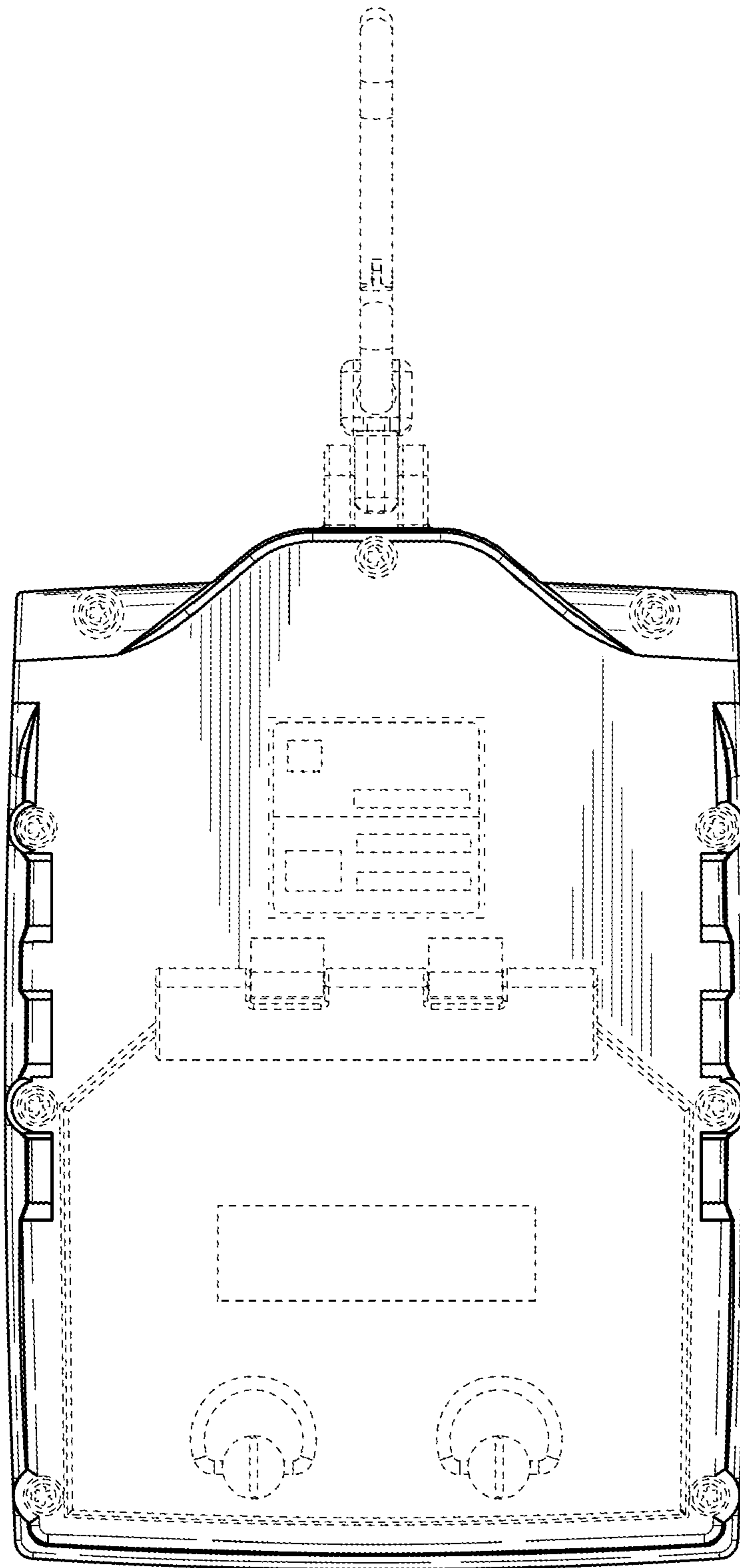


FIG. 10

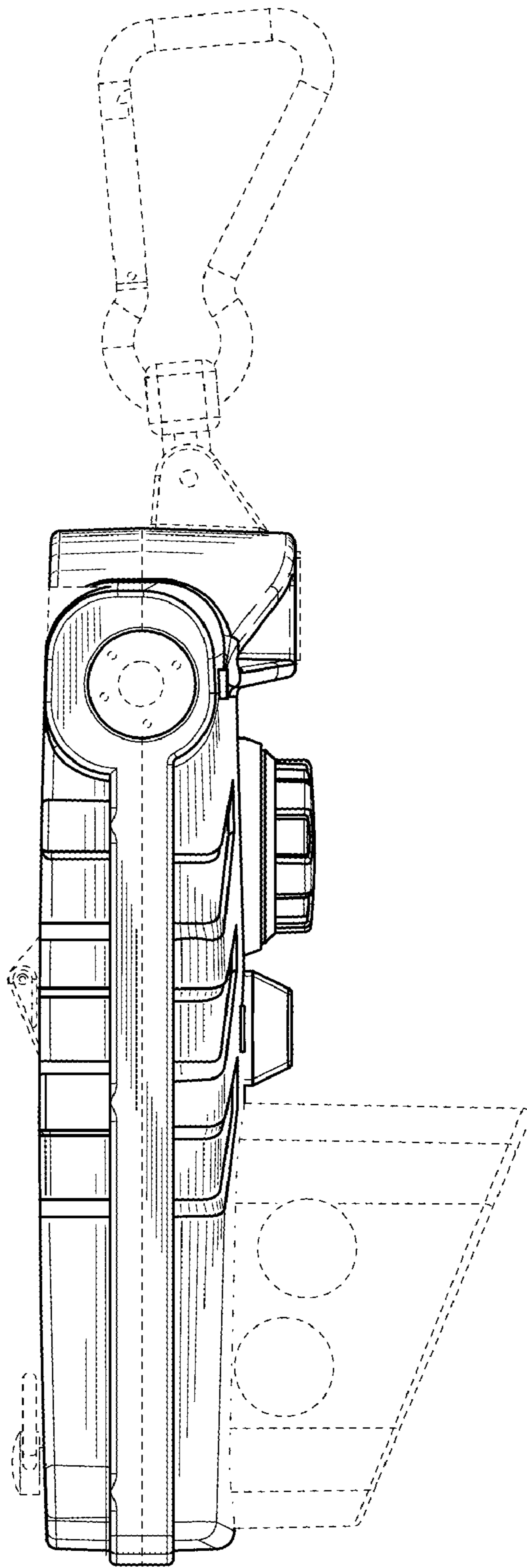


FIG. 11

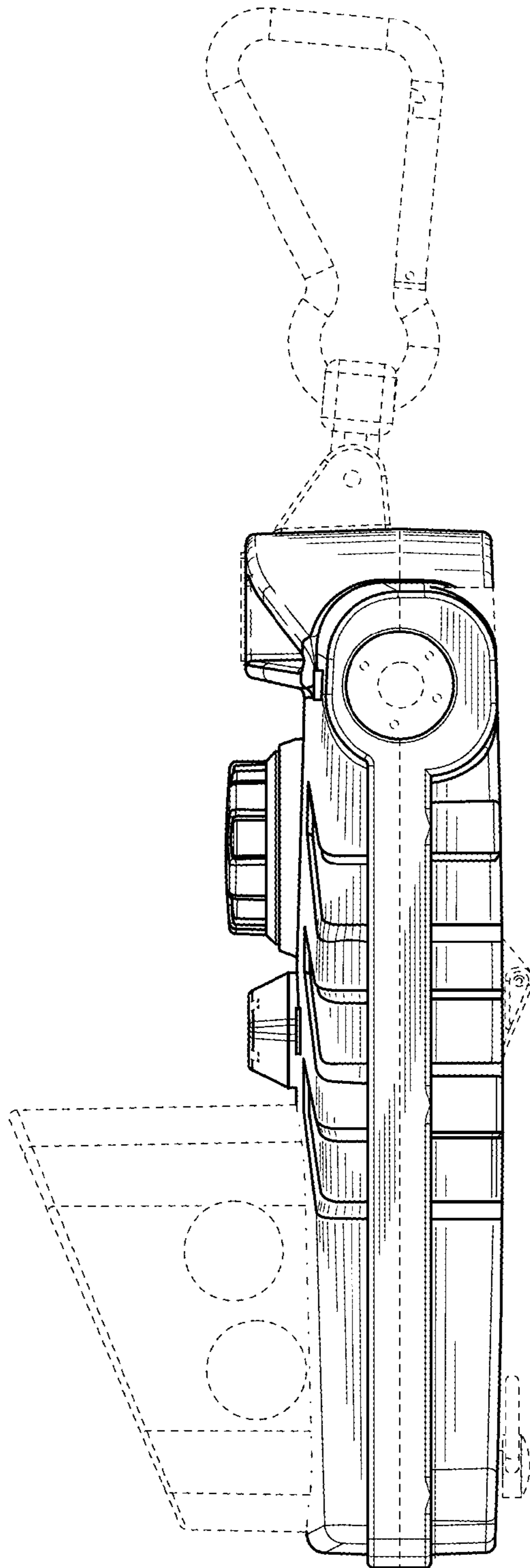


FIG. 12

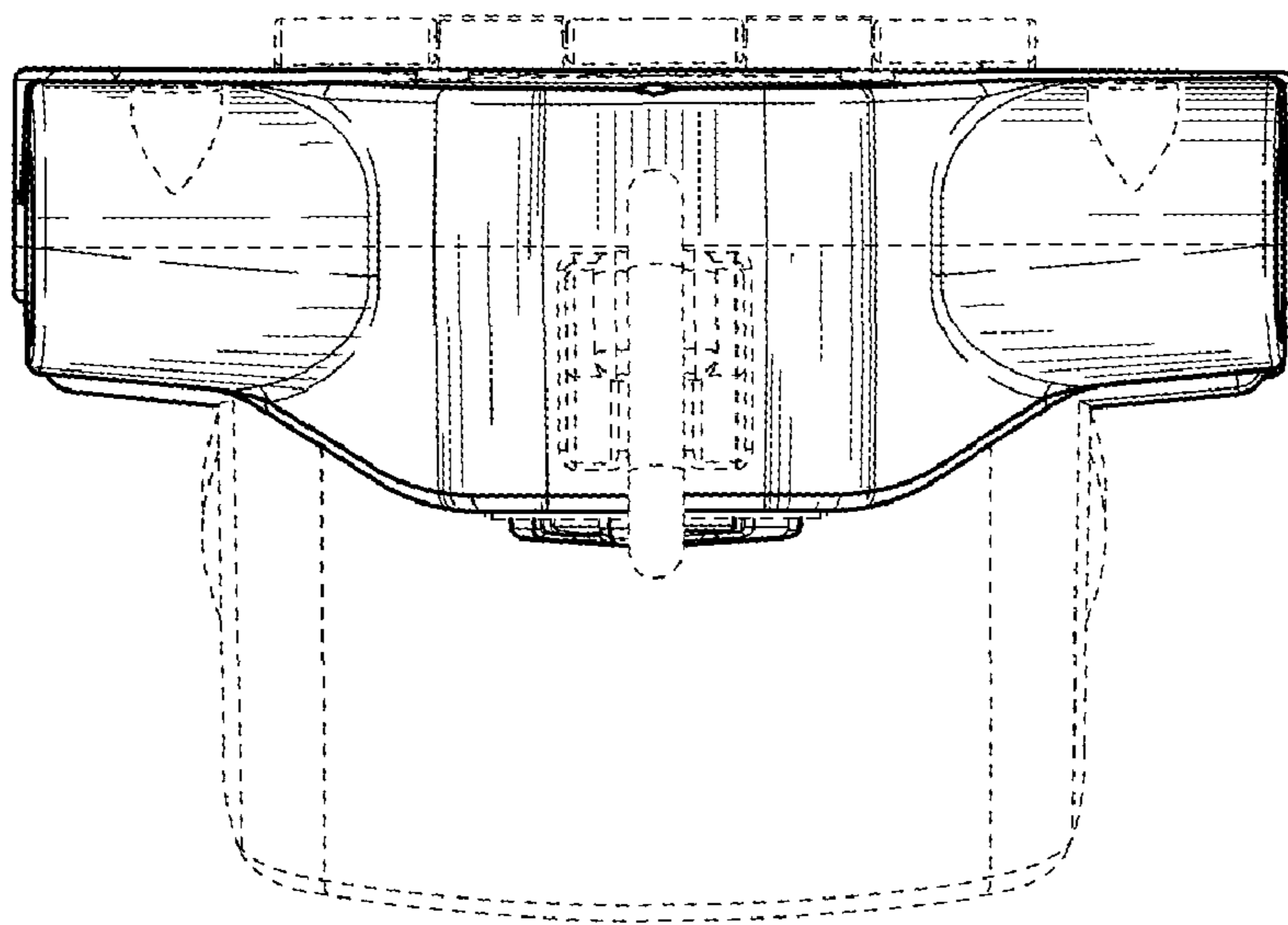


FIG. 13

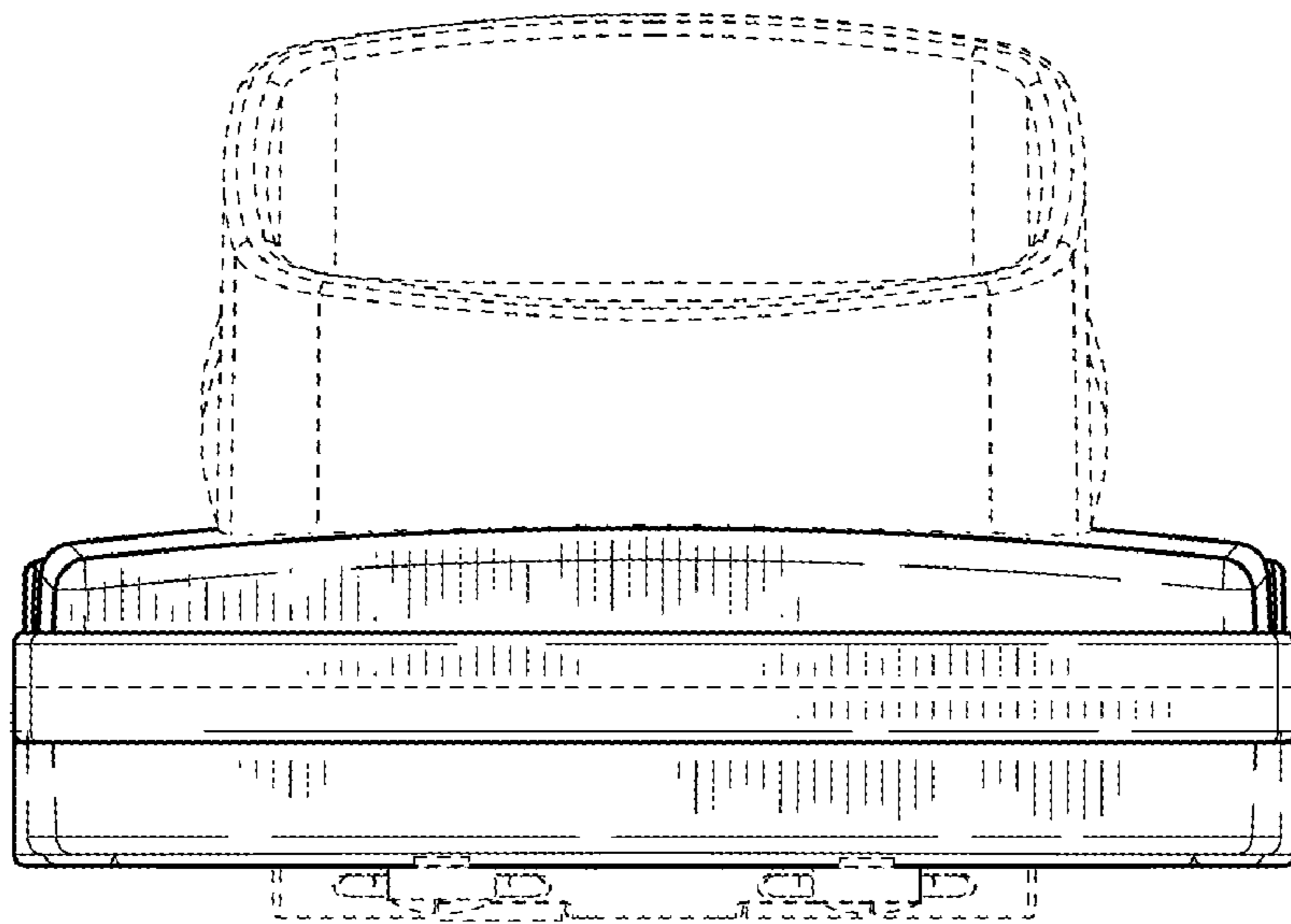


FIG. 14