

US00D661676S

(12) **United States Design Patent**
Inoue

(10) **Patent No.:** **US D661,676 S**
(45) **Date of Patent:** **** Jun. 12, 2012**

(54) **TELEVISION APPARATUS**

(56) **References Cited**

(75) Inventor: **Takashi Inoue**, Nara (JP)

U.S. PATENT DOCUMENTS

(73) Assignee: **Panasonic Corporation**, Osaka (JP)

D584,706 S * 1/2009 Yoshimura et al. D14/126
D601,525 S * 10/2009 Kibushi D14/126
D628,174 S * 11/2010 Nagase D14/126
D648,297 S * 11/2011 Woo et al. D14/126

(**) Term: **14 Years**

FOREIGN PATENT DOCUMENTS

(21) Appl. No.: **29/410,718**

EM D001656596-0002 1/2010
EM D001656596-0003 1/2010
EM D001810714-0004 1/2011

(22) Filed: **Jan. 11, 2012**

* cited by examiner

Related U.S. Application Data

Primary Examiner — Raphael Barkai

(62) Division of application No. 29/394,984, filed on Jun. 23, 2011.

(74) *Attorney, Agent, or Firm* — Brinks Hofer Gilson & Lione

(51) **LOC (9) Cl.** **14-03**

(57) **CLAIM**

I claim the ornamental design for a television apparatus, as shown and described.

(52) **U.S. Cl.** **D14/126**

DESCRIPTION

(58) **Field of Classification Search** D14/125-134,
D14/239, 371, 136, 374-377, 440, 450, 448,
D14/336, 342; 312/7.2; 348/836, 838, 180,
348/184, 325, 739; 341/12; 248/917-924,
248/465; 345/104, 133, 156, 168, 87, 173;
720/605, 669, 600, 655; 369/99, 197; D21/329,
D21/515, 577, 622, 333, 433, 448, 452, 450,
D21/331; D6/477, 479, 300; 273/148 B;
446/484, 175, 356; D10/15, 26

FIG. 1 is a front perspective view of a television apparatus of the present invention;
FIG. 2 is a front view thereof;
FIG. 3 is a rear view thereof;
FIG. 4 is a first side view thereof;
FIG. 5 is a second side view thereof;
FIG. 6 is a top view thereof; and,
FIG. 7 is a bottom view thereof.

See application file for complete search history.

1 Claim, 5 Drawing Sheets

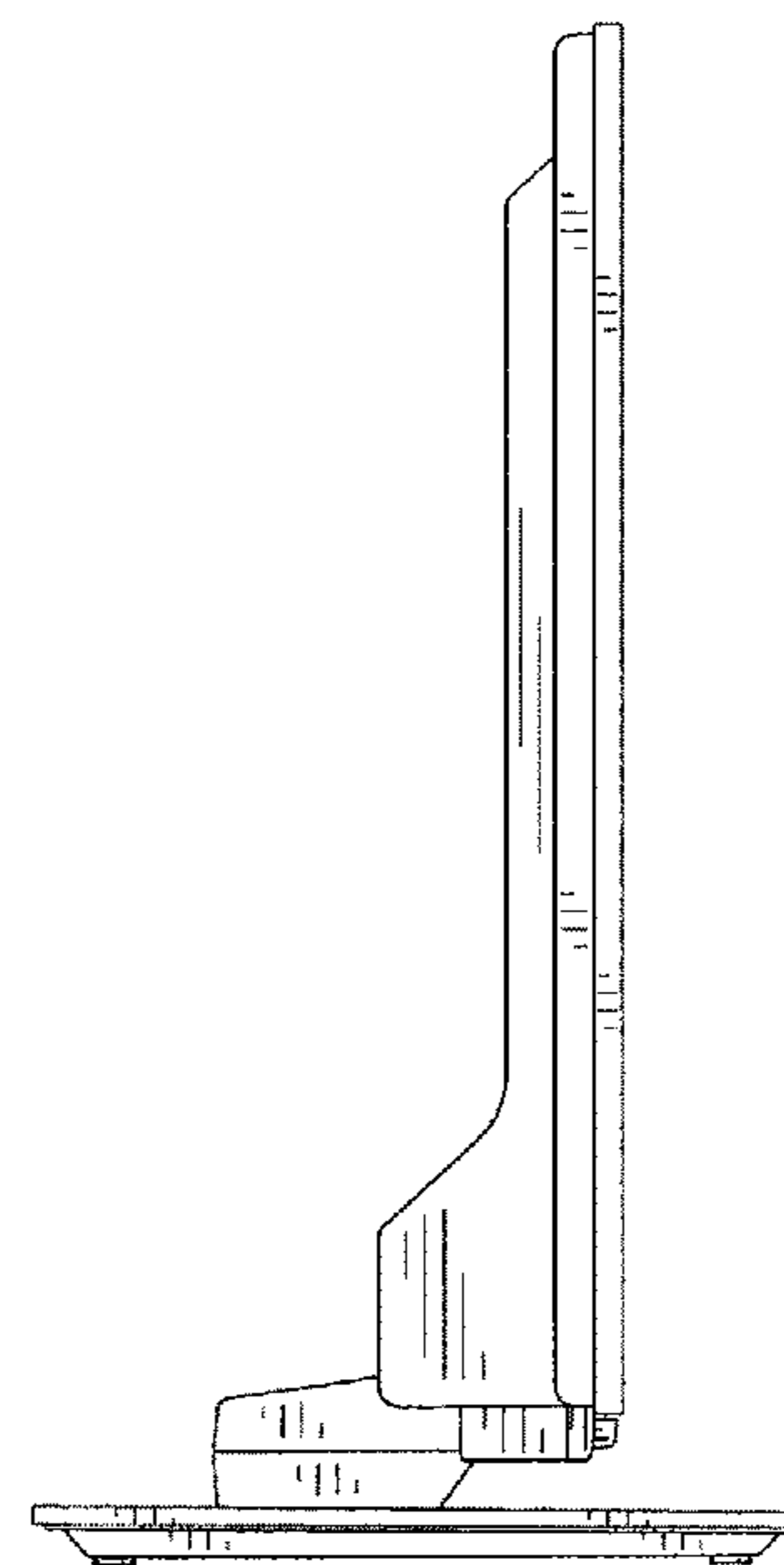
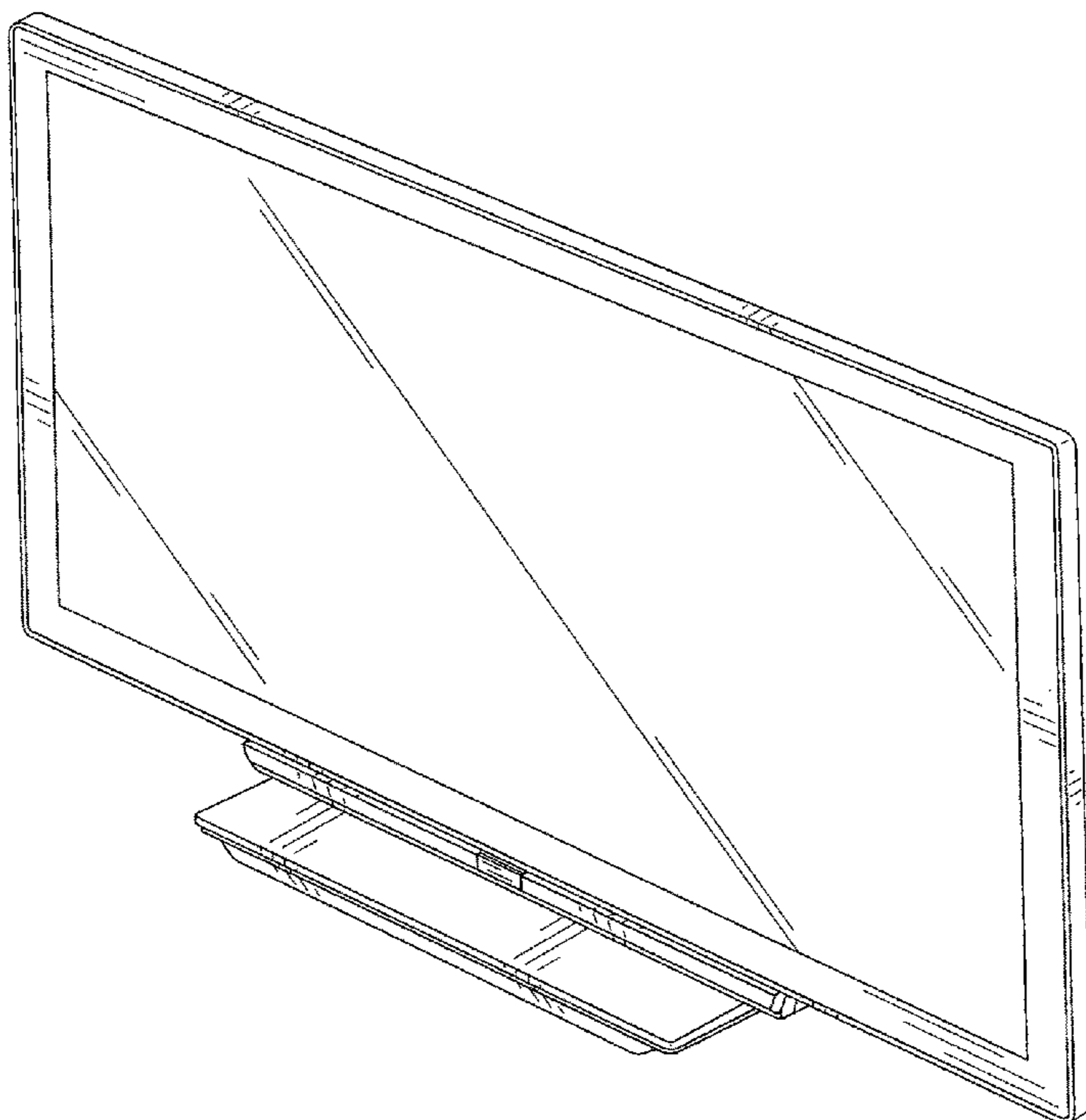


FIG.1

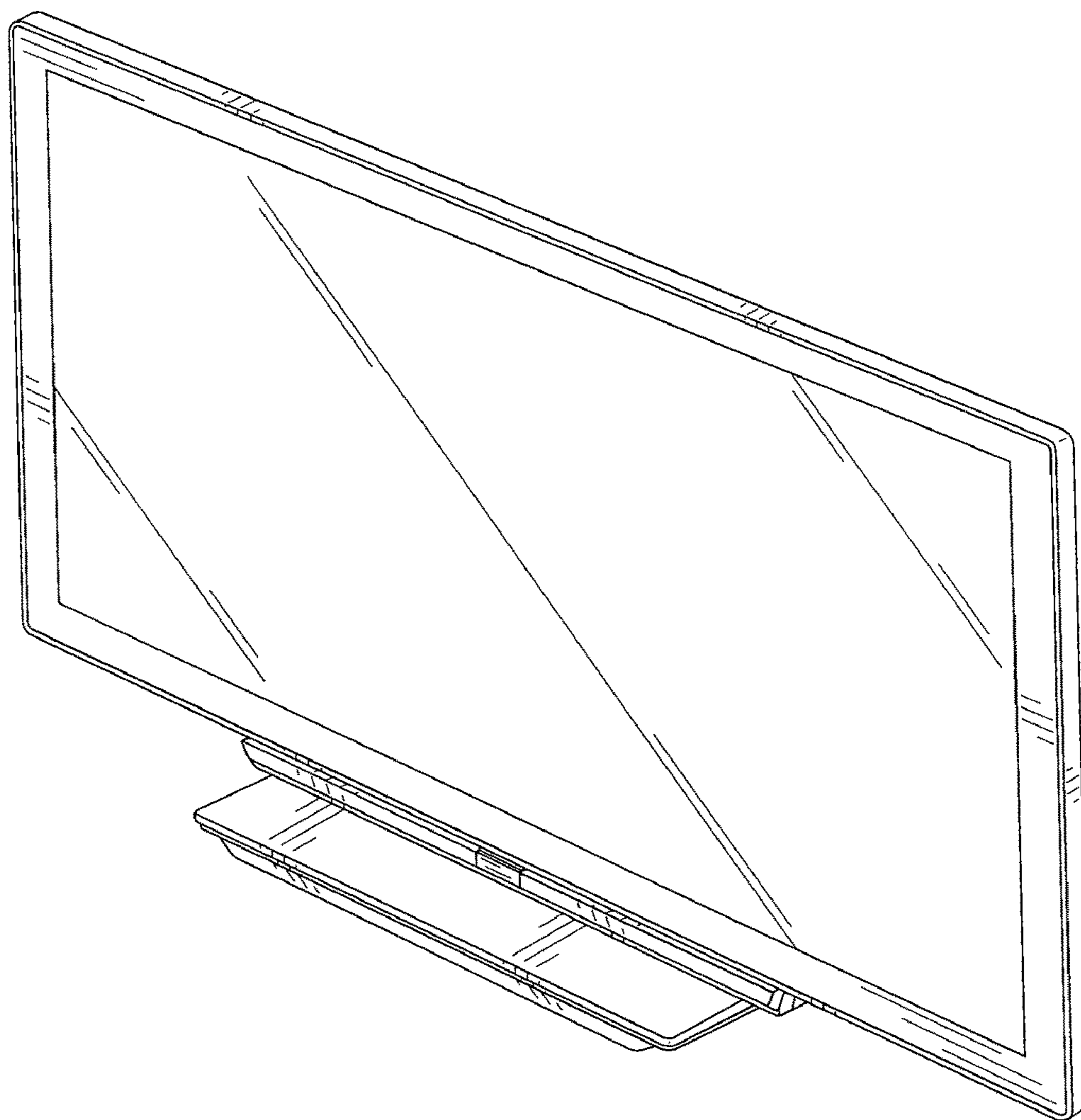


FIG.2

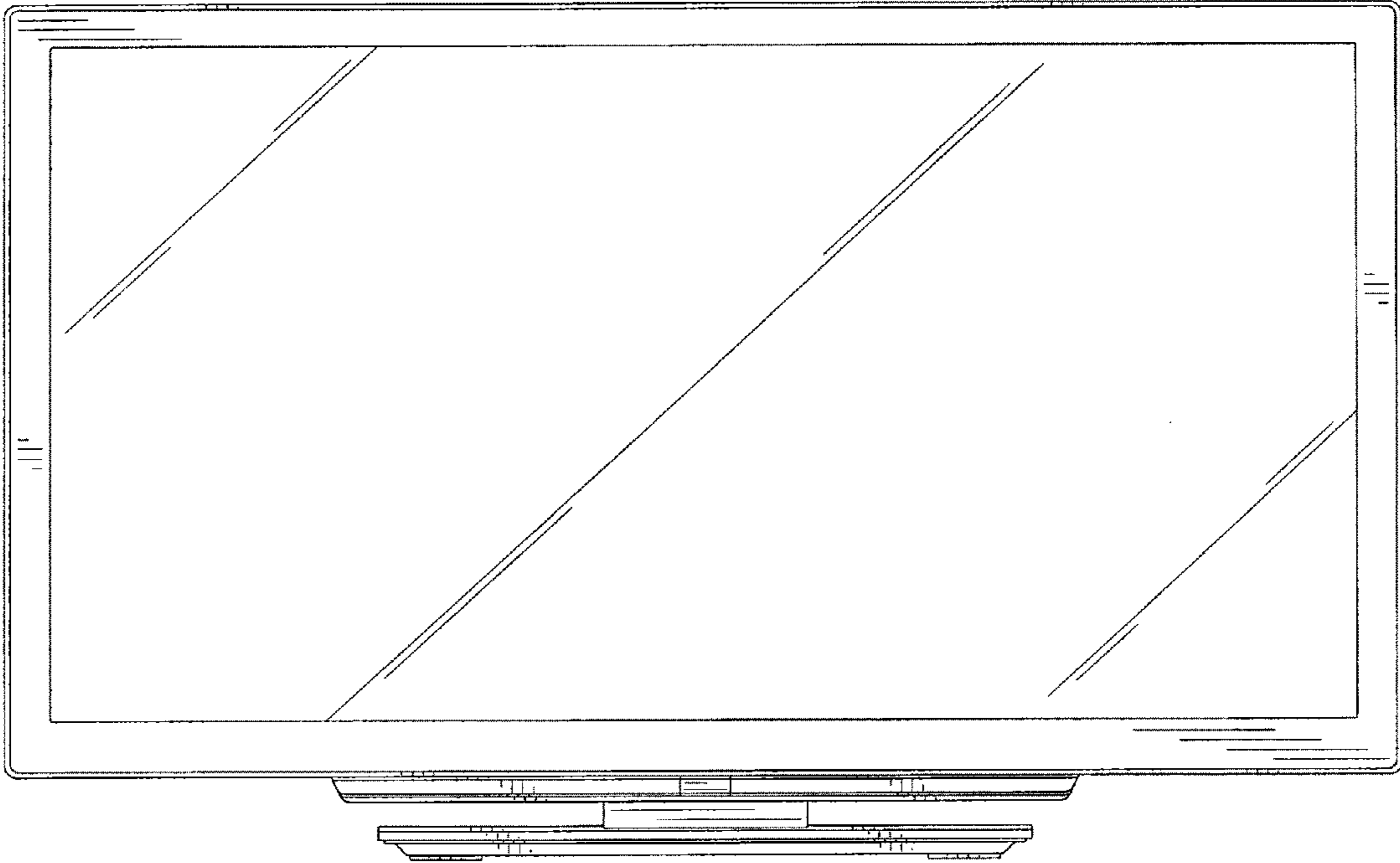


FIG.3

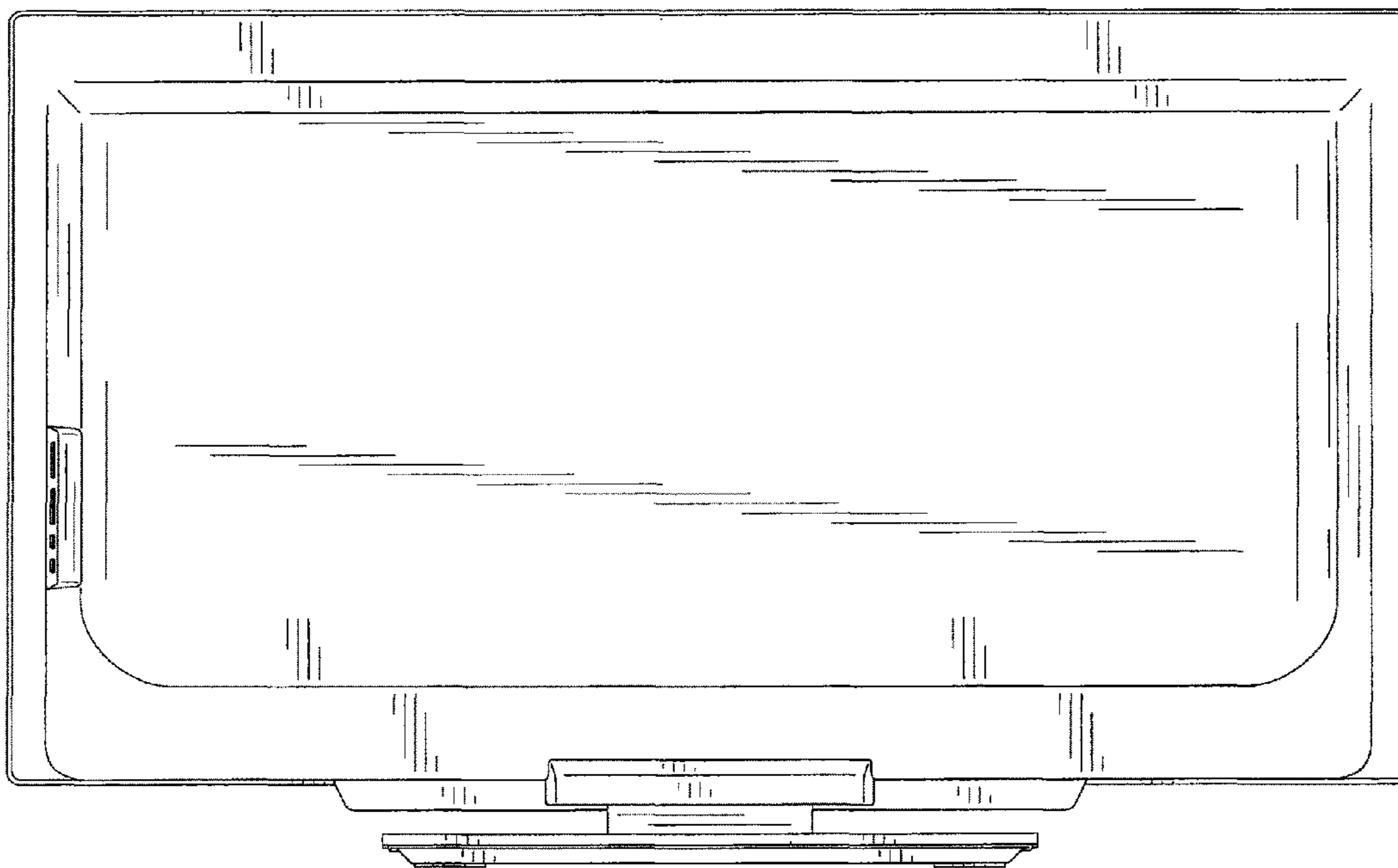


FIG.4

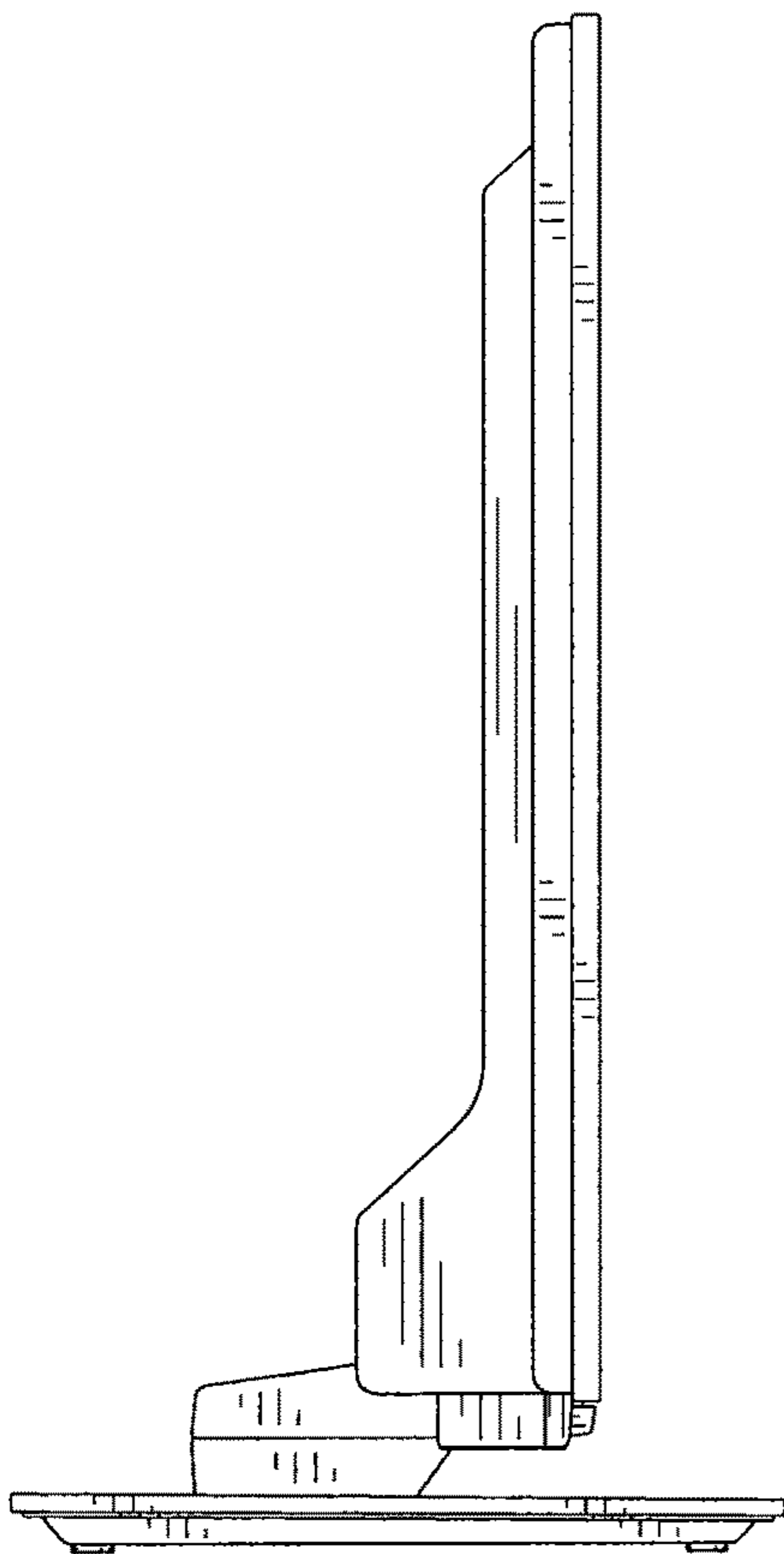


FIG.5

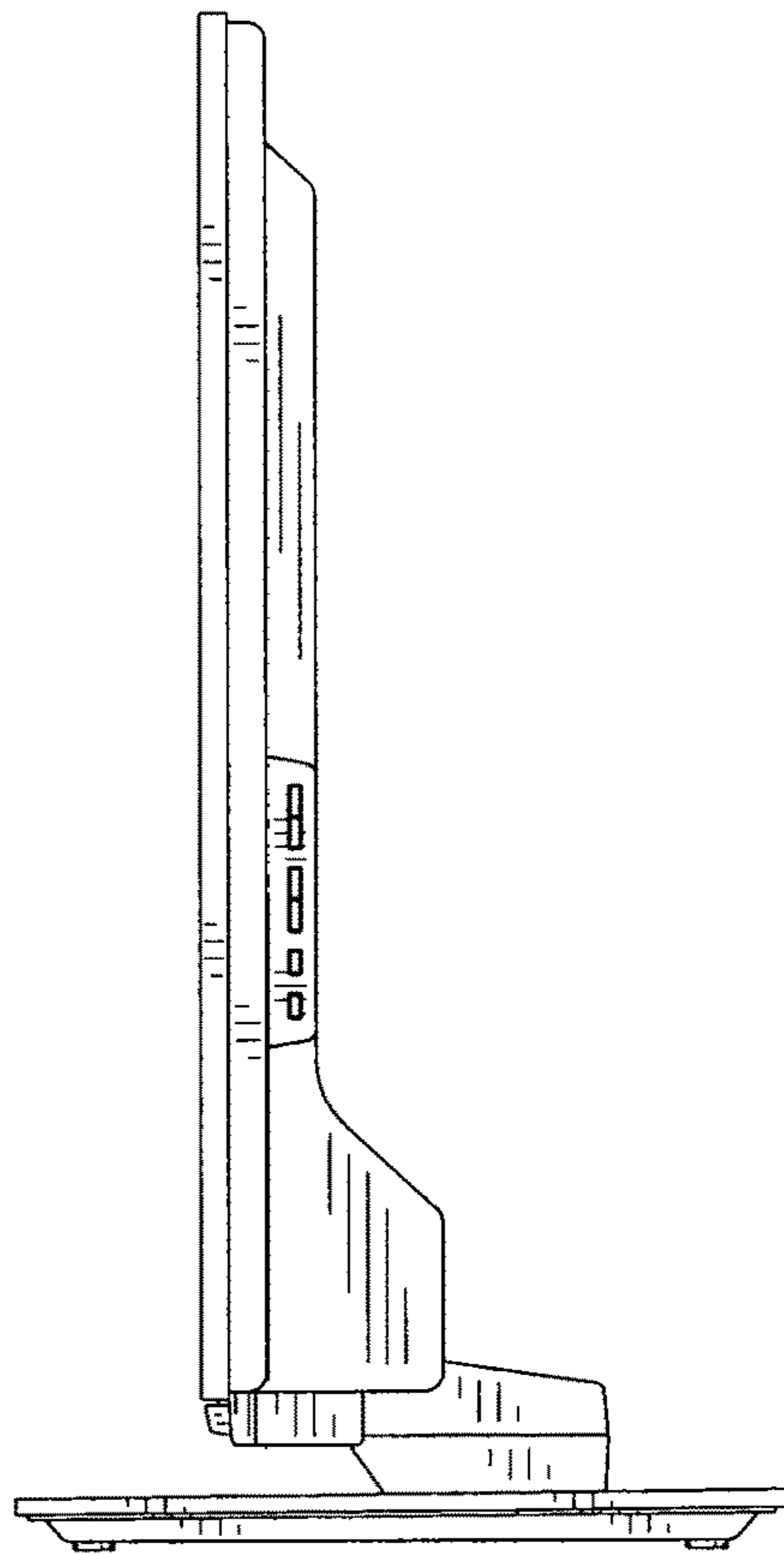


FIG. 6

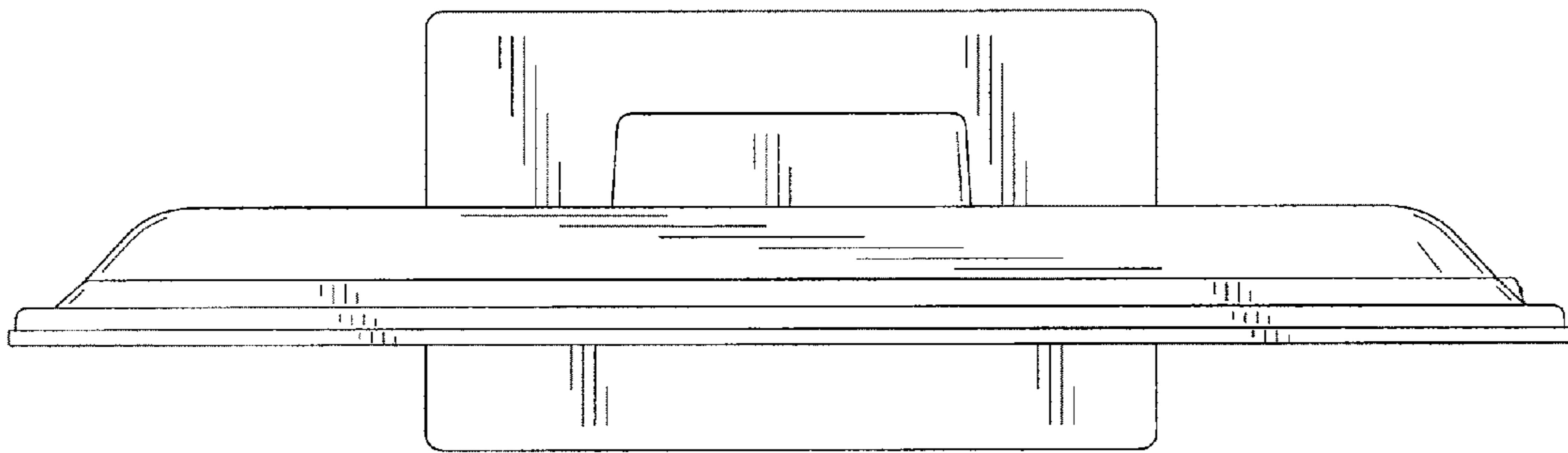


FIG. 7

