



US00D661675S

(12) **United States Design Patent**
Chiu

(10) **Patent No.:** **US D661,675 S**
(45) **Date of Patent:** **** Jun. 12, 2012**

(54) **DISPLAY**
(75) Inventor: **Yi-Chung Chiu**, Taoyuan County (TW)
(73) Assignee: **Hannspree, Inc.**, New Taipei (TW)
(**) Term: **14 Years**
(21) Appl. No.: **29/404,787**
(22) Filed: **Oct. 25, 2011**

D546,298 S * 7/2007 Hoehn D14/126
D547,283 S * 7/2007 Hsiung D14/129
D550,634 S * 9/2007 Rashid D14/126
D635,941 S * 4/2011 Tragatschnig D14/126

* cited by examiner

Primary Examiner — Raphael Barkai
(74) *Attorney, Agent, or Firm* — Morris Manning & Martin LLP; Tim Tingkang Xia, Esq.

(51) **LOC (9) Cl.** **14-03**
(52) **U.S. Cl.** **D14/126**
(58) **Field of Classification Search** D14/125–134,
D14/239, 371, 136, 374–377, 440, 450, 448,
D14/336, 342; 312/7.2; 348/836, 838, 180,
348/184, 325, 739; 341/12; 248/917–924,
248/465; 345/104, 133, 156, 168, 87, 173;
720/605, 669, 600, 655; 369/99, 197; D21/329,
D21/515, 577, 622, 333, 433, 448, 452, 450,
D21/331; D6/477, 479, 300; 273/148 B;
446/484, 175, 356; D10/15, 26
See application file for complete search history.

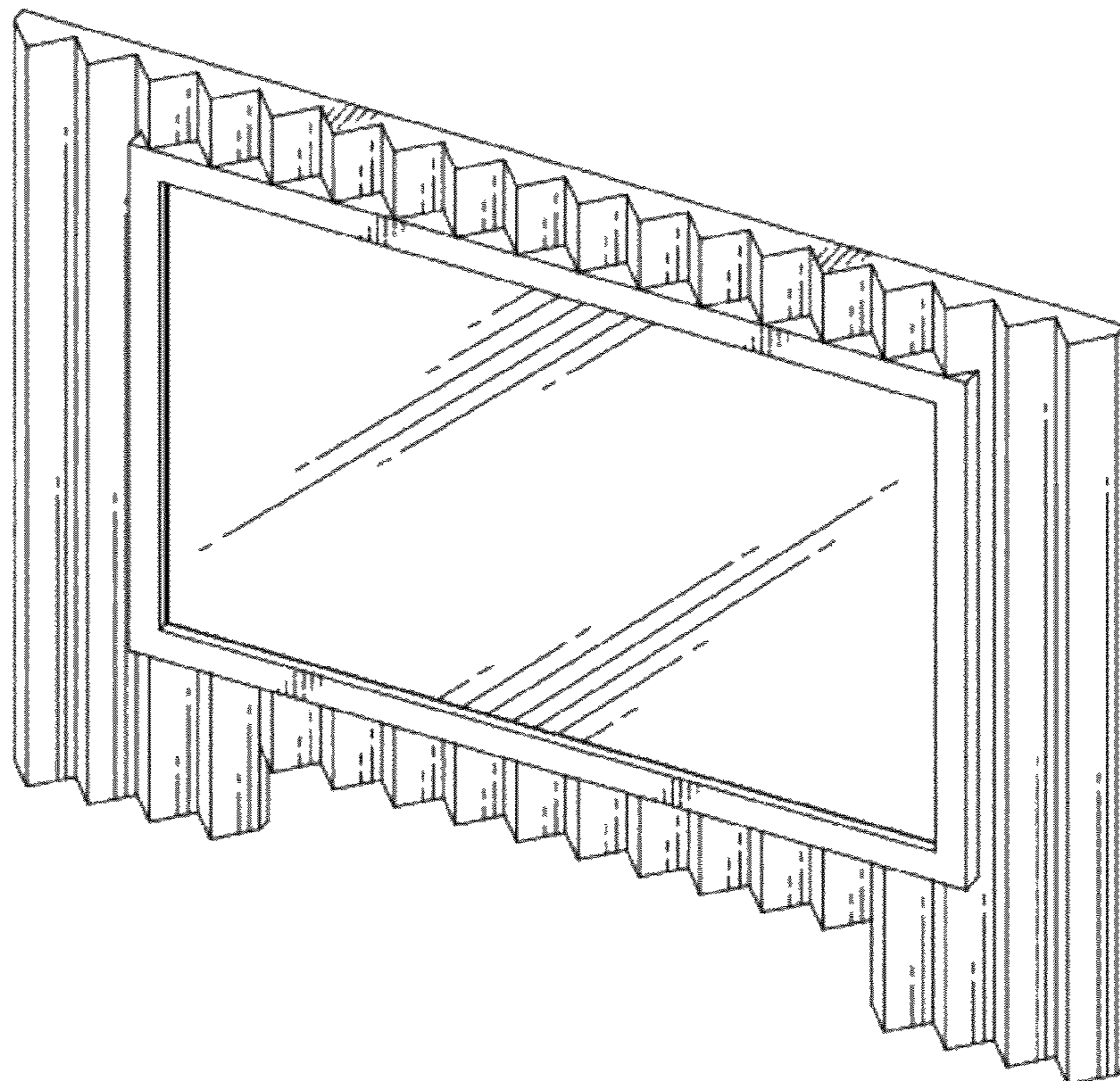
(57) **CLAIM**
The ornamental design for a display, as shown and described.

DESCRIPTION

FIG. 1 is a front perspective view of a display showing the design;
FIG. 2 is a front view thereof;
FIG. 3 is a rear view thereof;
FIG. 4 is a left side view thereof;
FIG. 5 is a right side view thereof;
FIG. 6 is a top view thereof; and,
FIG. 7 is a bottom view thereof.

(56) **References Cited**
U.S. PATENT DOCUMENTS
D528,082 S * 9/2006 Hoehn D14/126
D529,457 S * 10/2006 Voege D14/126

1 Claim, 7 Drawing Sheets



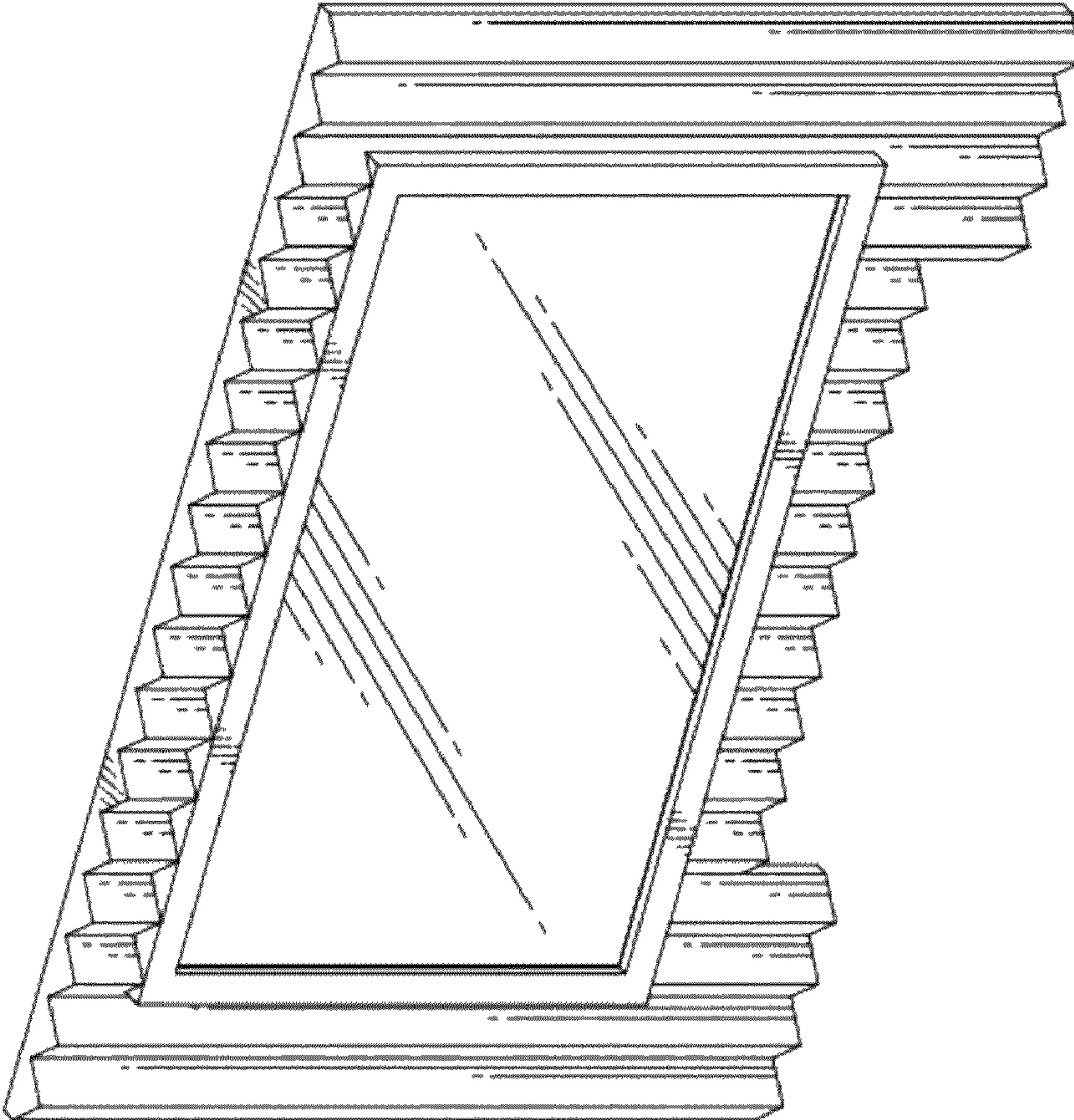


Fig. 1

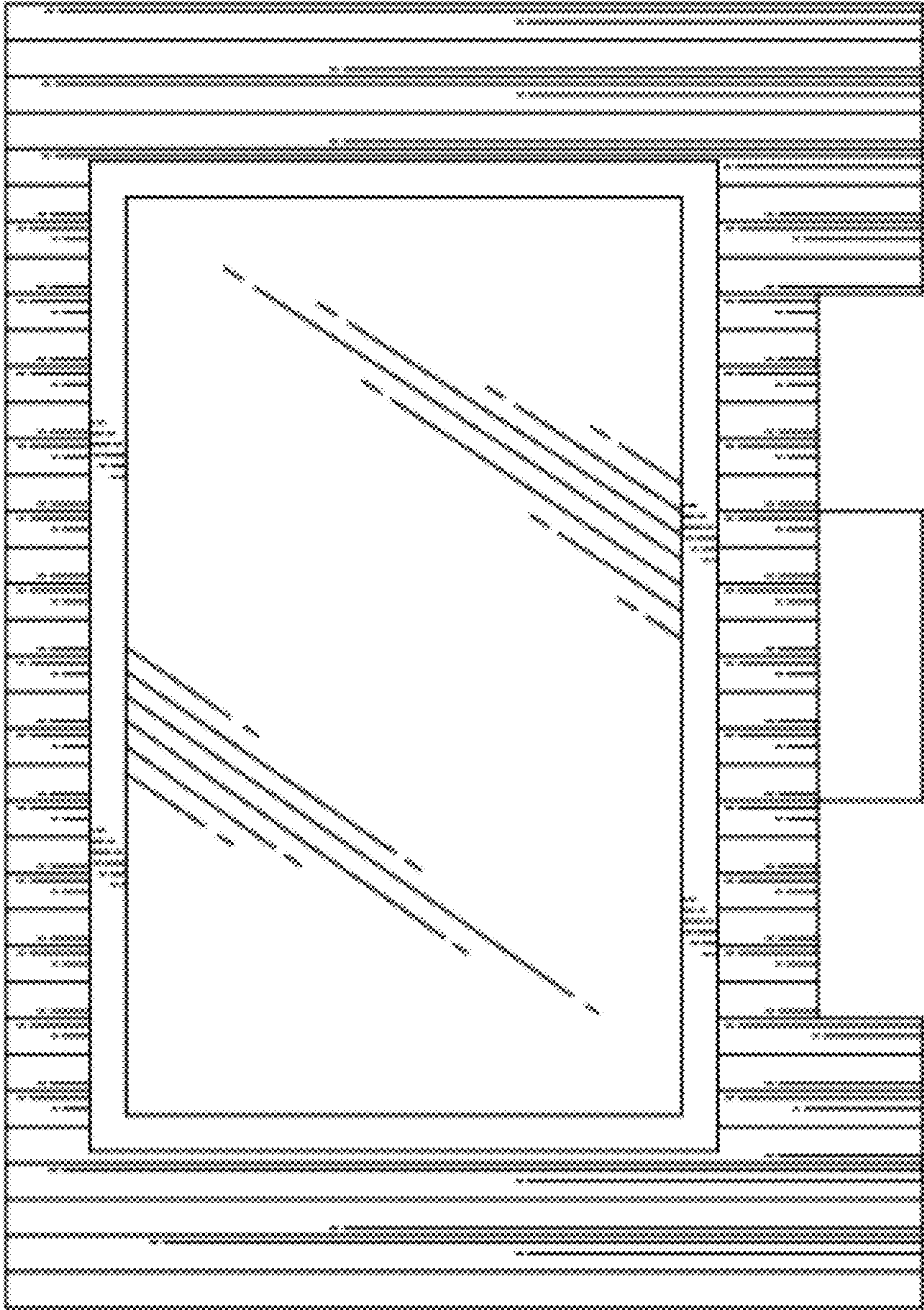


Fig. 2



Fig. 3



Fig. 4

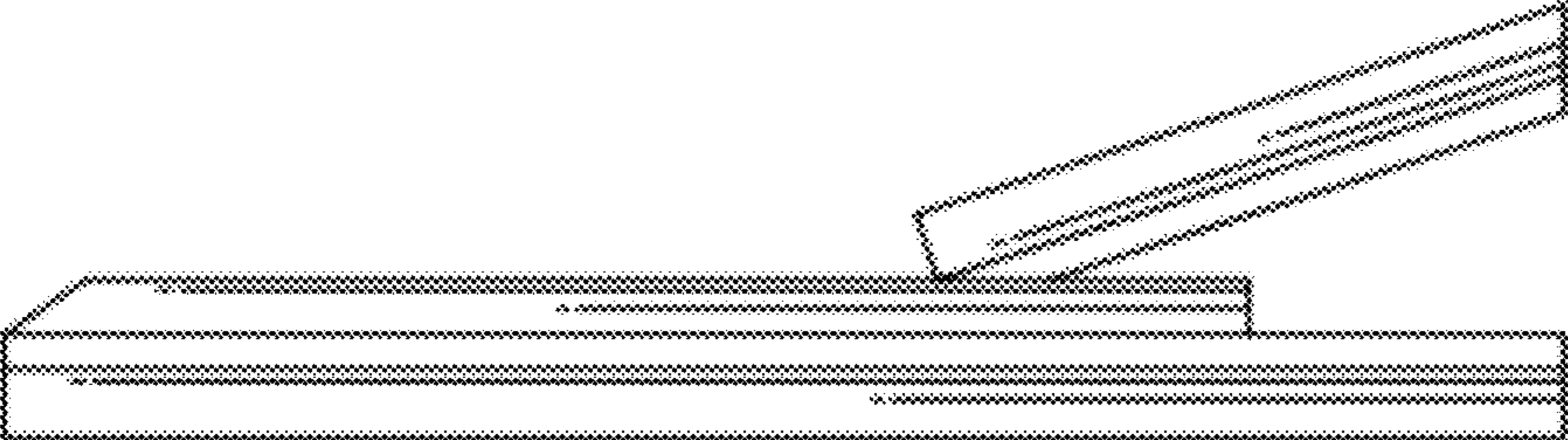


Fig. 5

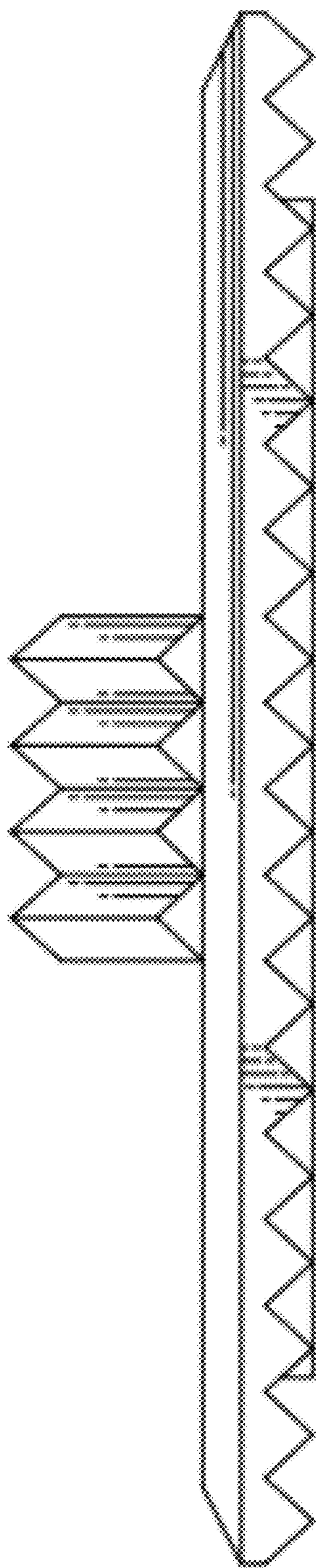


Fig. 6

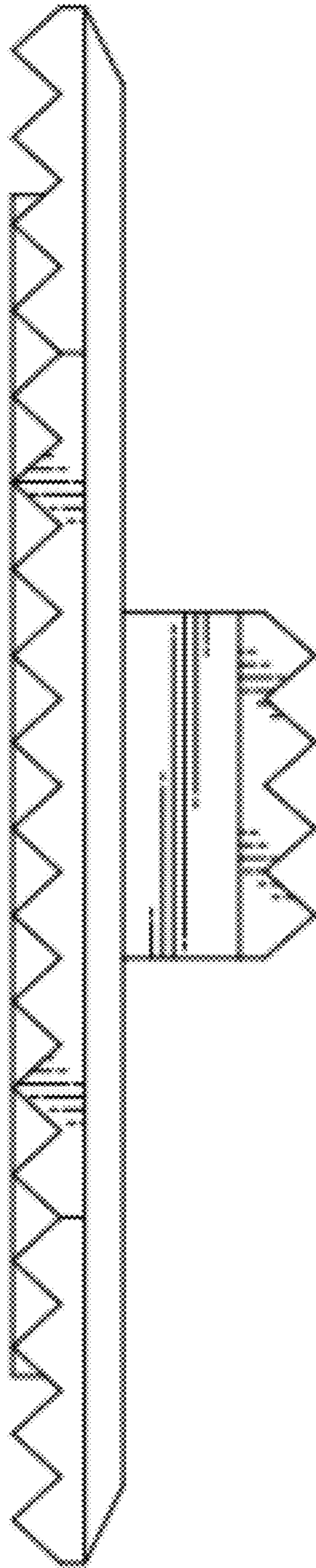


Fig. 7