



US00D661673S

(12) **United States Design Patent**
Chiu

(10) **Patent No.:** **US D661,673 S**
(45) **Date of Patent:** **** Jun. 12, 2012**

(54) **DISPLAY**

(75) Inventor: **Yi-Chung Chiu**, Taoyuan County (TW)

(73) Assignee: **Hannspree, Inc.**, New Taipei (TW)

(**) Term: **14 Years**

(21) Appl. No.: **29/404,083**

(22) Filed: **Oct. 14, 2011**

(51) **LOC (9) Cl.** **14-03**

(52) **U.S. Cl.** **D14/126**

(58) **Field of Classification Search** D14/125-134,
D14/239, 371, 136, 374-377, 440, 450, 448,
D14/336, 342; 312/7.2; 348/836, 838, 180,
348/184, 325, 739; 341/12; 248/917-924,
248/465; 345/104, 133, 156, 168, 87, 173;
720/605, 669, 600, 655; 369/99, 197; 455/344,
455/347; D21/329, 515, 577, 622, 333, 433,
D21/448, 452, 450, 331; D6/477, 479, 300;
273/148 B; 446/484, 175, 356; D10/15,
D10/26

See application file for complete search history.

(56) **References Cited**

U.S. PATENT DOCUMENTS

D209,710 S	*	12/1967	Bruce	D14/133
D469,093 S	*	1/2003	Lin	D14/375
D519,473 S	*	4/2006	Hoehn	D14/126
D524,268 S	*	7/2006	Reza	D14/126
D527,715 S	*	9/2006	Hoehn	D14/126
D543,521 S	*	5/2007	Chiu	D14/126
D628,171 S	*	11/2010	Hakopian et al.	D14/126

* cited by examiner

Primary Examiner — Raphael Barkai

(74) *Attorney, Agent, or Firm* — Ming Chow; Sinorica, LLC

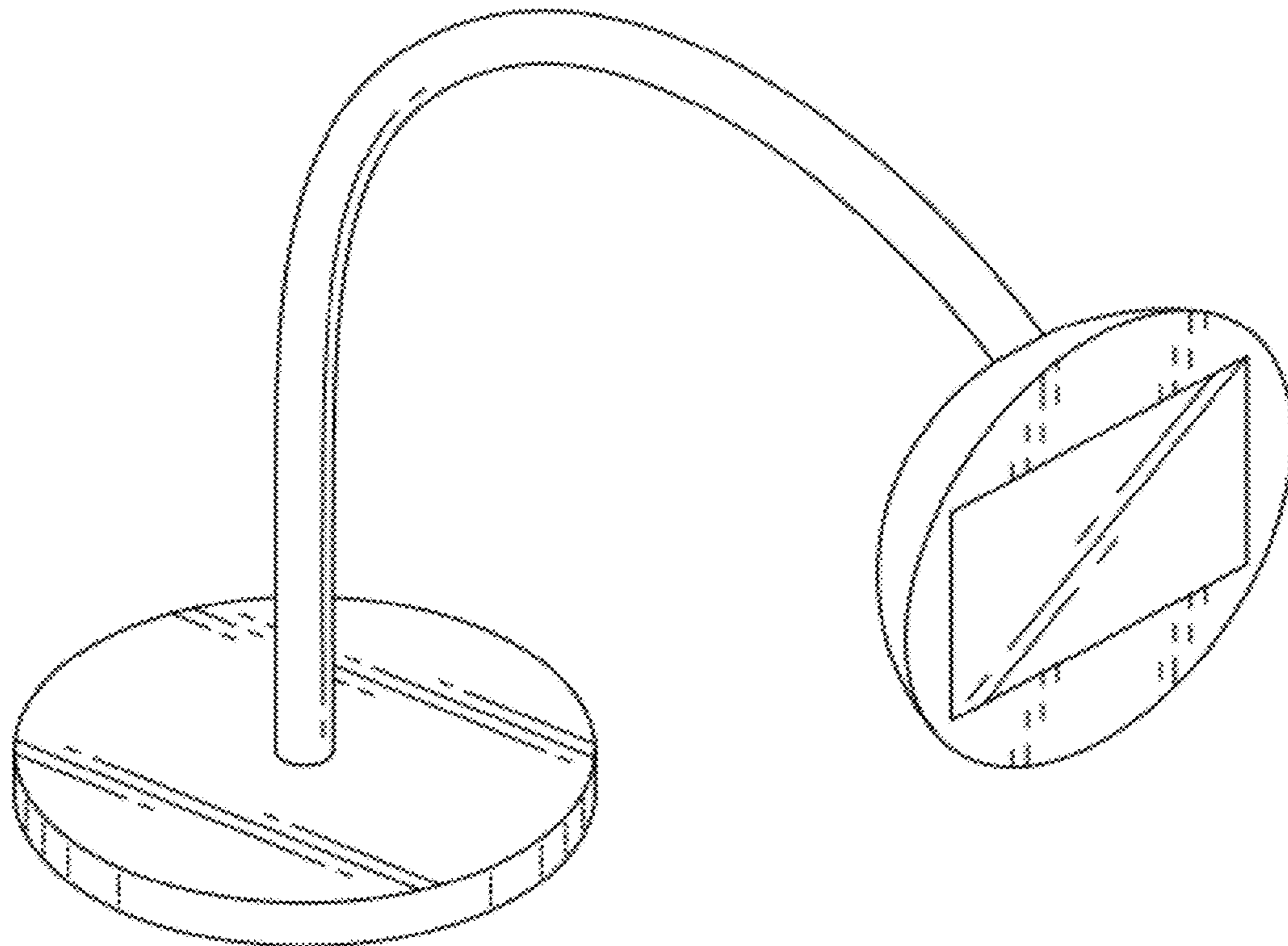
(57) **CLAIM**

The ornamental design for a display, as shown and described.

DESCRIPTION

FIG. 1. is a perspective view of a display showing my new design;
FIG. 2. is a front elevational view thereof;
FIG. 3. is a rear elevational view thereof;
FIG. 4. is a left side elevational view thereof;
FIG. 5. is a right side elevational view thereof;
FIG. 6. is a top plan view thereof; and,
FIG. 7. is a bottom plan view thereof.

1 Claim, 7 Drawing Sheets



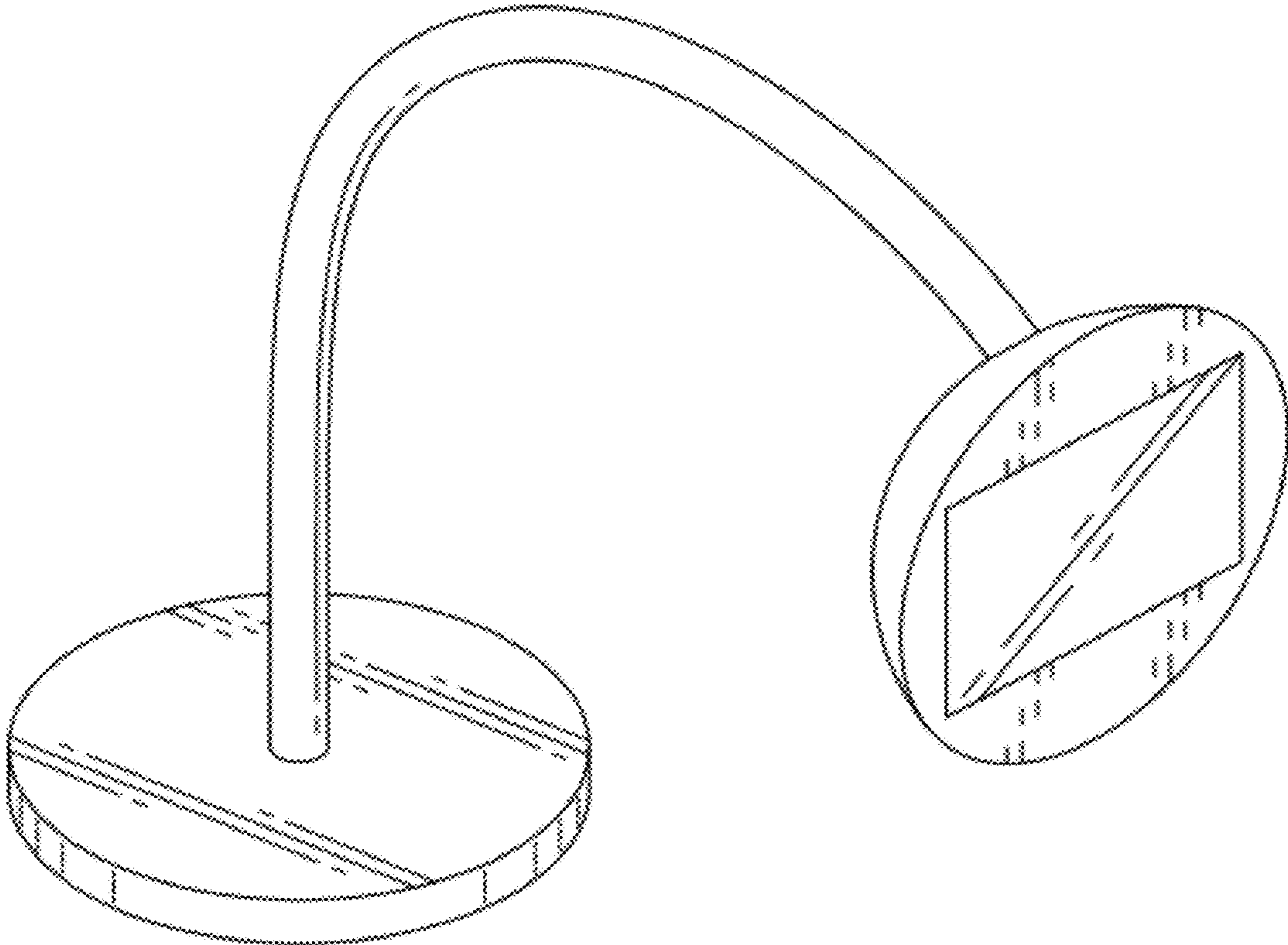


FIG. 1

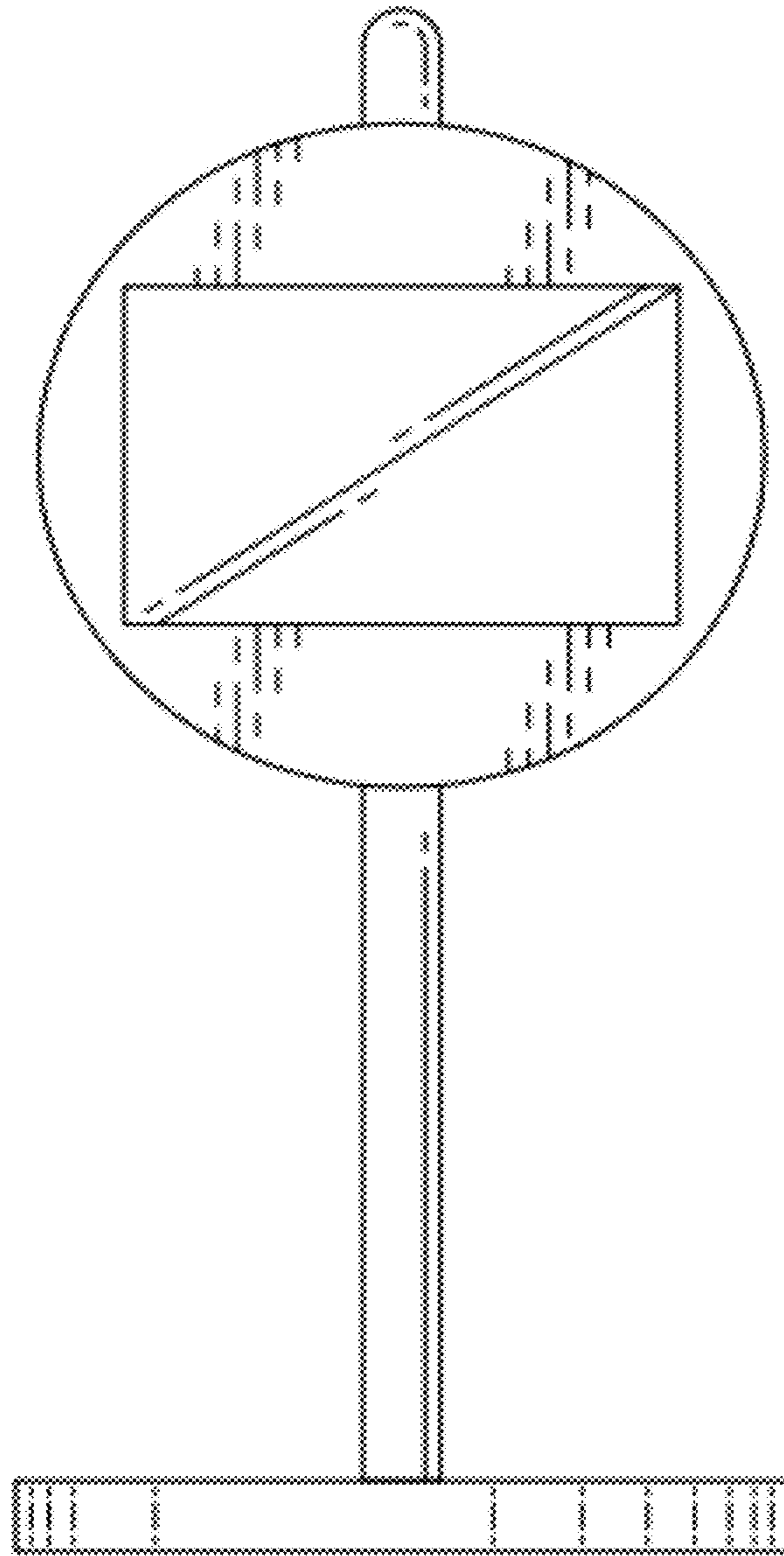


FIG. 2

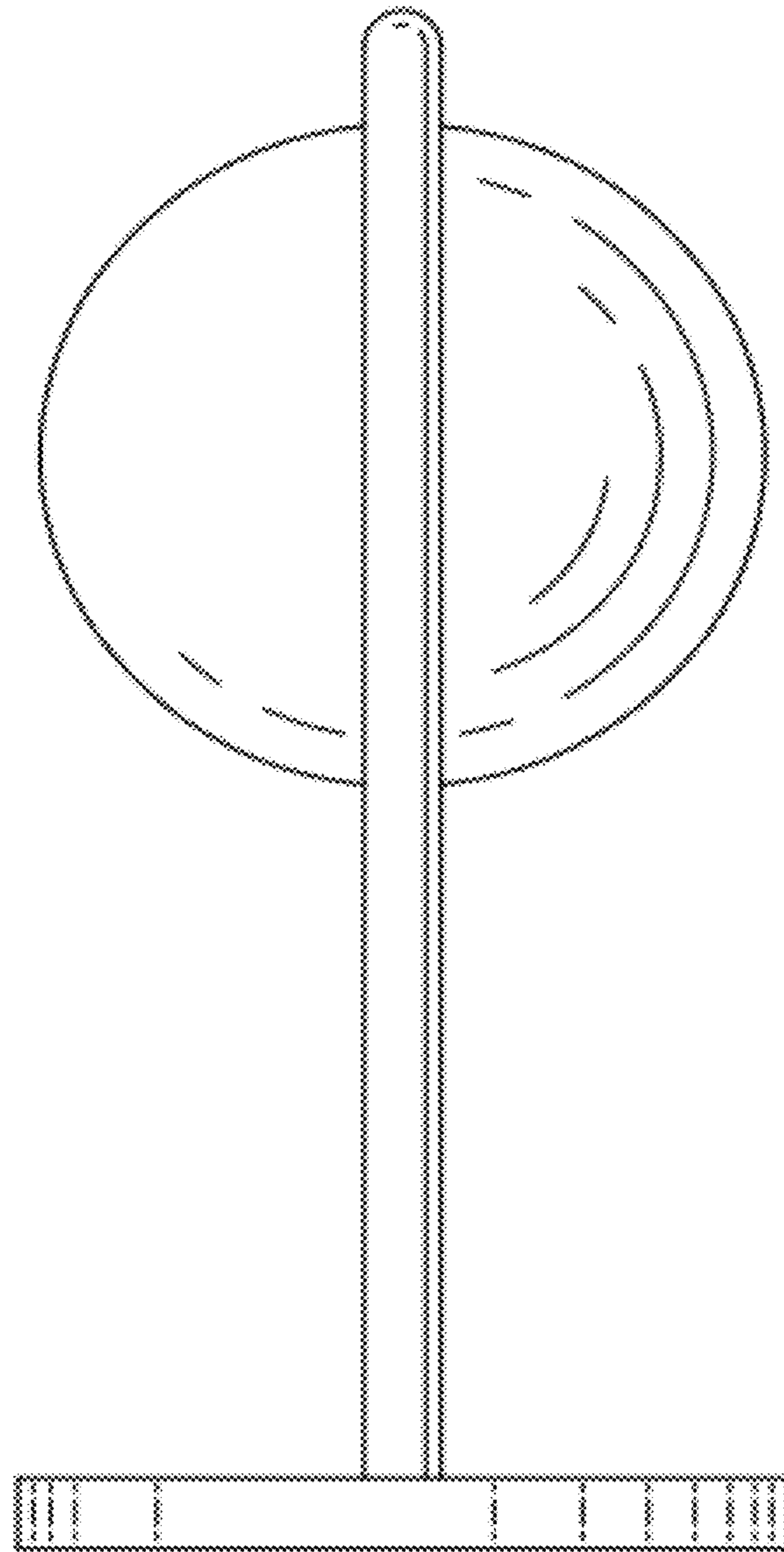


FIG. 3

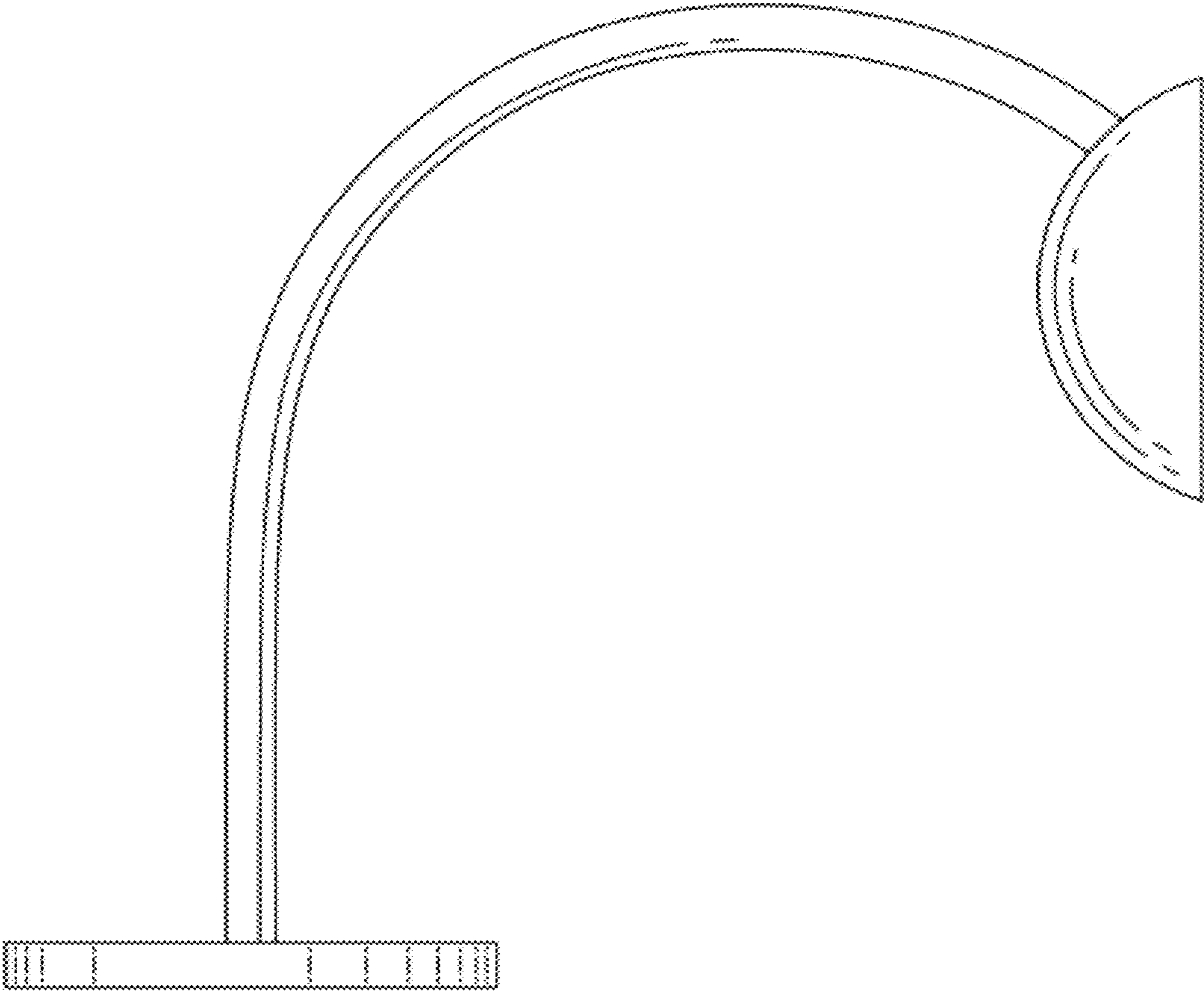


FIG. 4

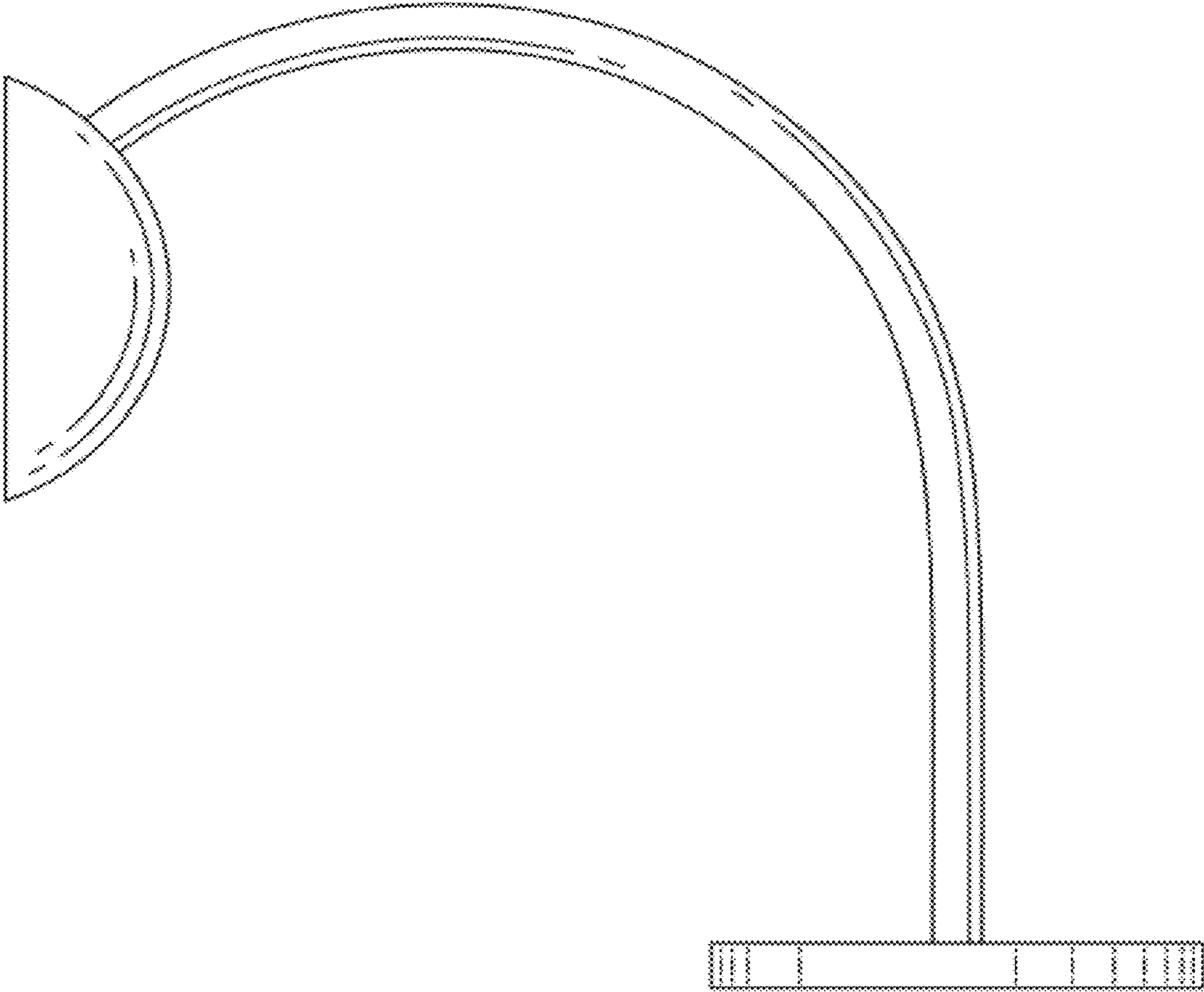


FIG. 5

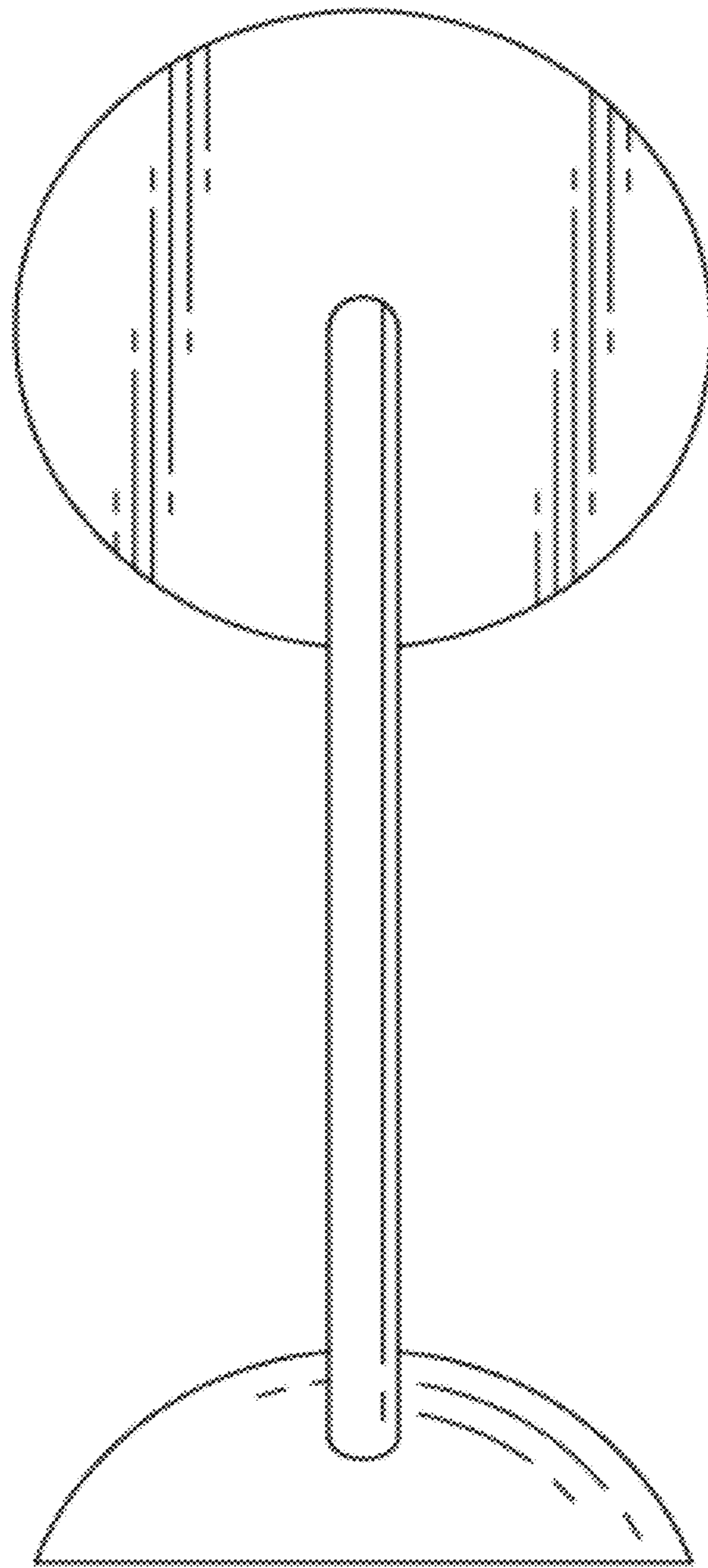


FIG. 6

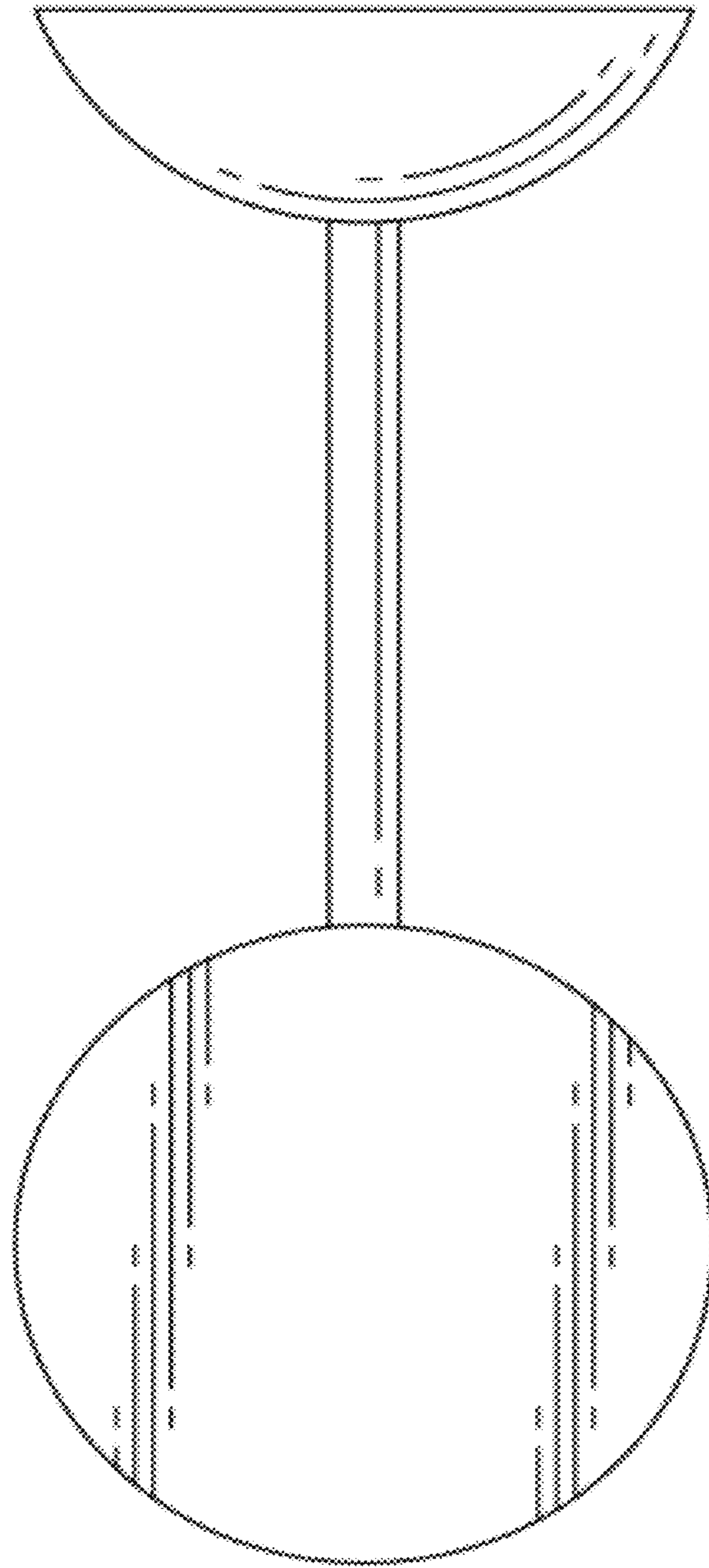


FIG. 7