

US00D661668S

(12) **United States Design Patent**
Rose

(10) **Patent No.:** **US D661,668 S**
(45) **Date of Patent:** **** Jun. 12, 2012**

(54) **HOUSING FOR ELECTRICAL AND ELECTRONIC COMPONENTS**

(75) Inventor: **Friedhelm Rose**, Porta Westfalica (DE)

(73) Assignee: **ROLEC Gehäuse Systeme GmbH** (DE)

(**) Term: **14 Years**

(21) Appl. No.: **29/390,019**

(22) Filed: **Apr. 19, 2011**

(30) **Foreign Application Priority Data**

Oct. 19, 2010 (EM) 001770421-0001

(51) **LOC (9) Cl.** **13-03**

(52) **U.S. Cl.** **D13/184**

(58) **Field of Classification Search** D13/108,
D13/162, 184, 199; D14/300-302, 308,
D14/309, 314, 354, 356-358, 215, 218, 230;
312/223.1-223.3; 360/99.01-99.12; 361/600-602,
361/679.01, 679.02, 679.31-679.33, 724;
369/34.01, 36.01

See application file for complete search history.

(56) **References Cited**

U.S. PATENT DOCUMENTS

D401,592 S * 11/1998 Nishimura et al. D14/230
D408,796 S * 4/1999 Georgopoulos D14/354
D409,585 S * 5/1999 Fenner et al. D14/309

D414,476 S * 9/1999 Hibino D14/358
D526,973 S * 8/2006 Gates et al. D13/184
D577,356 S * 9/2008 Moon et al. D14/215
D581,927 S * 12/2008 Sumii D14/356
D584,700 S * 1/2009 Urry et al. D13/184
D596,622 S * 7/2009 Lee D14/218
D598,018 S * 8/2009 Sumii D14/356
D618,232 S * 6/2010 O'Neil et al. D14/314
D620,884 S * 8/2010 Lee et al. D13/108

* cited by examiner

Primary Examiner — Freda S Nunn

(74) *Attorney, Agent, or Firm* — Robert W. Becker; Robert Becker & Associates

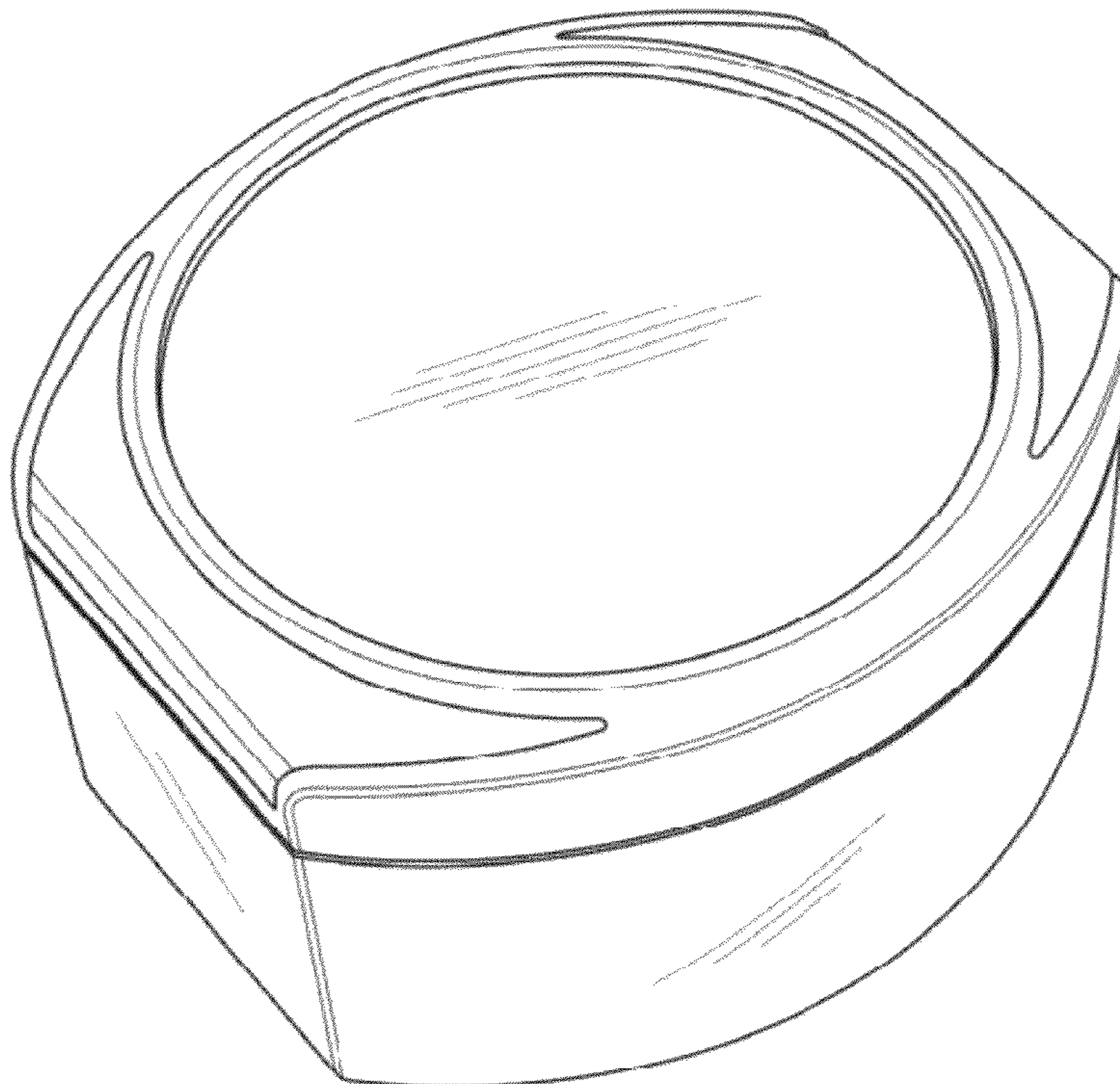
(57) **CLAIM**

The ornamental design for a housing for electrical and electronic components, as shown and described.

DESCRIPTION

FIG. 1 is a perspective view of the housing for electrical and electronic components;
FIG. 2 is a perspective view thereof showing the top and one side, wherein the other side is identical;
FIG. 3 is another perspective view thereof;
FIG. 4 is a perspective view of the top and one end thereof, wherein the other end is identical;
FIG. 5 is an enlarged partial perspective view thereof showing one of the handles raised to allow lifting the housing lid off, the broken lines illustrate portions of the housing, and form no part of the claimed design; and,
FIG. 6 is a bottom perspective view thereof.

1 Claim, 6 Drawing Sheets



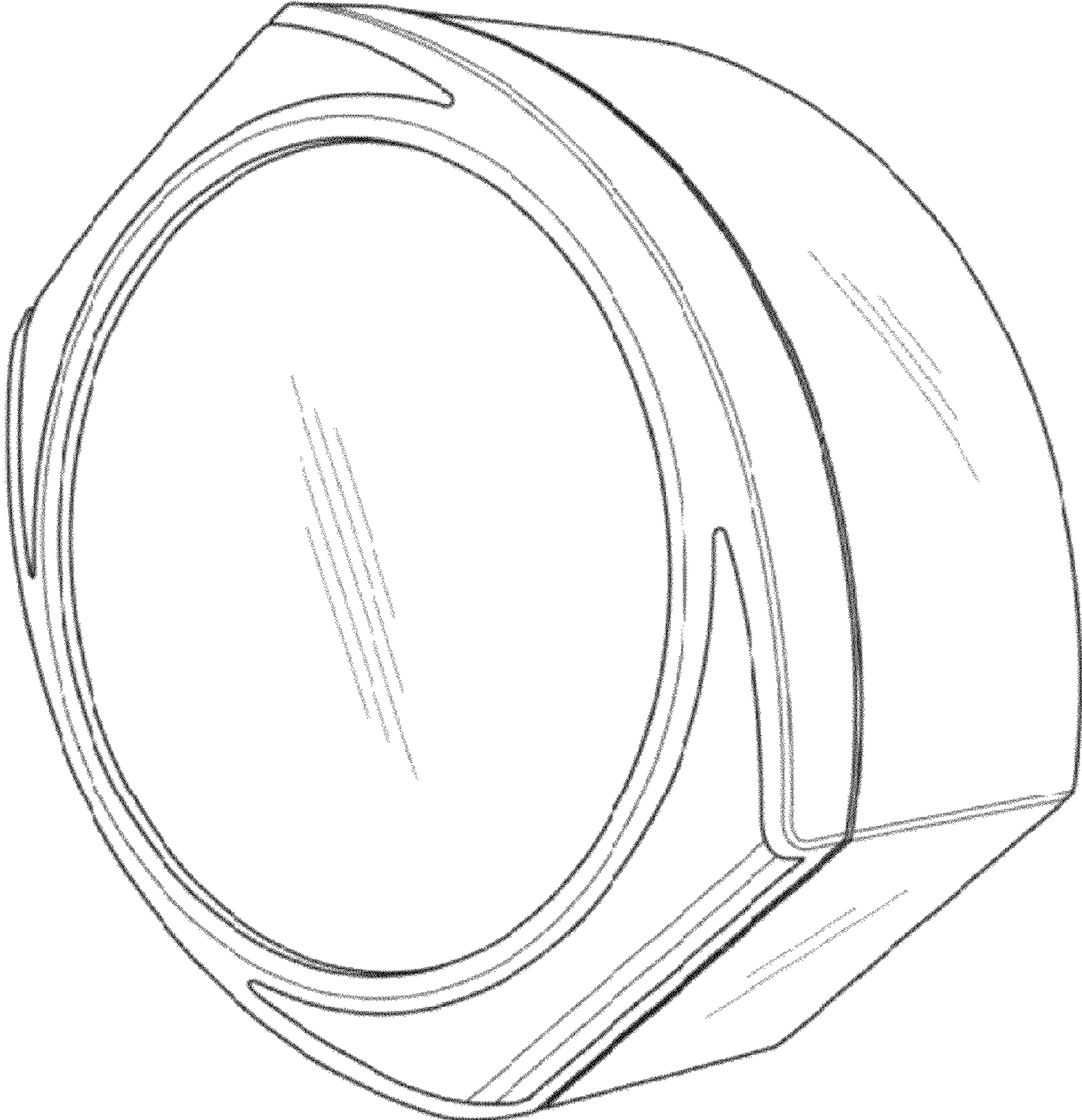


FIG. 1

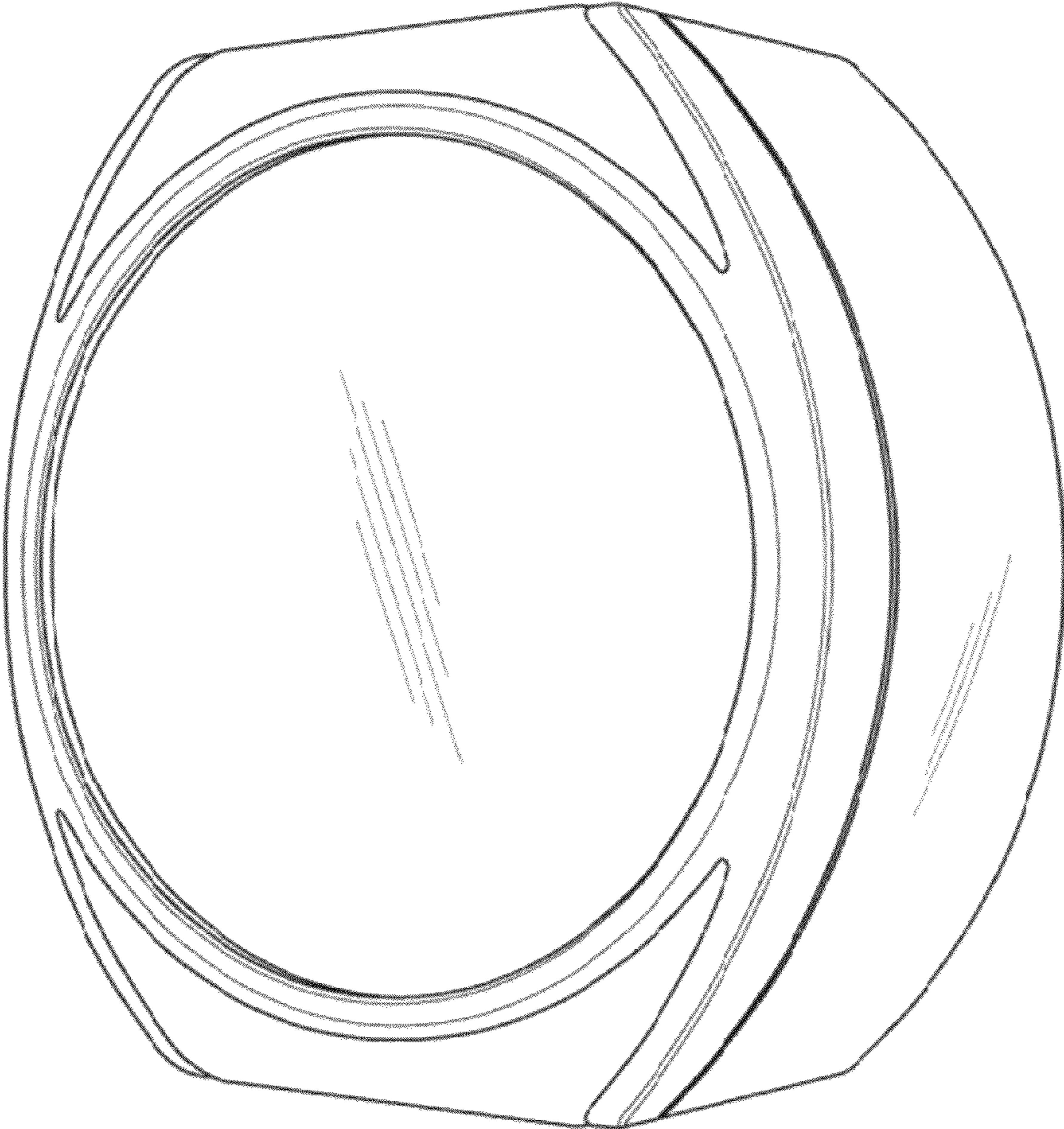


FIG. 2

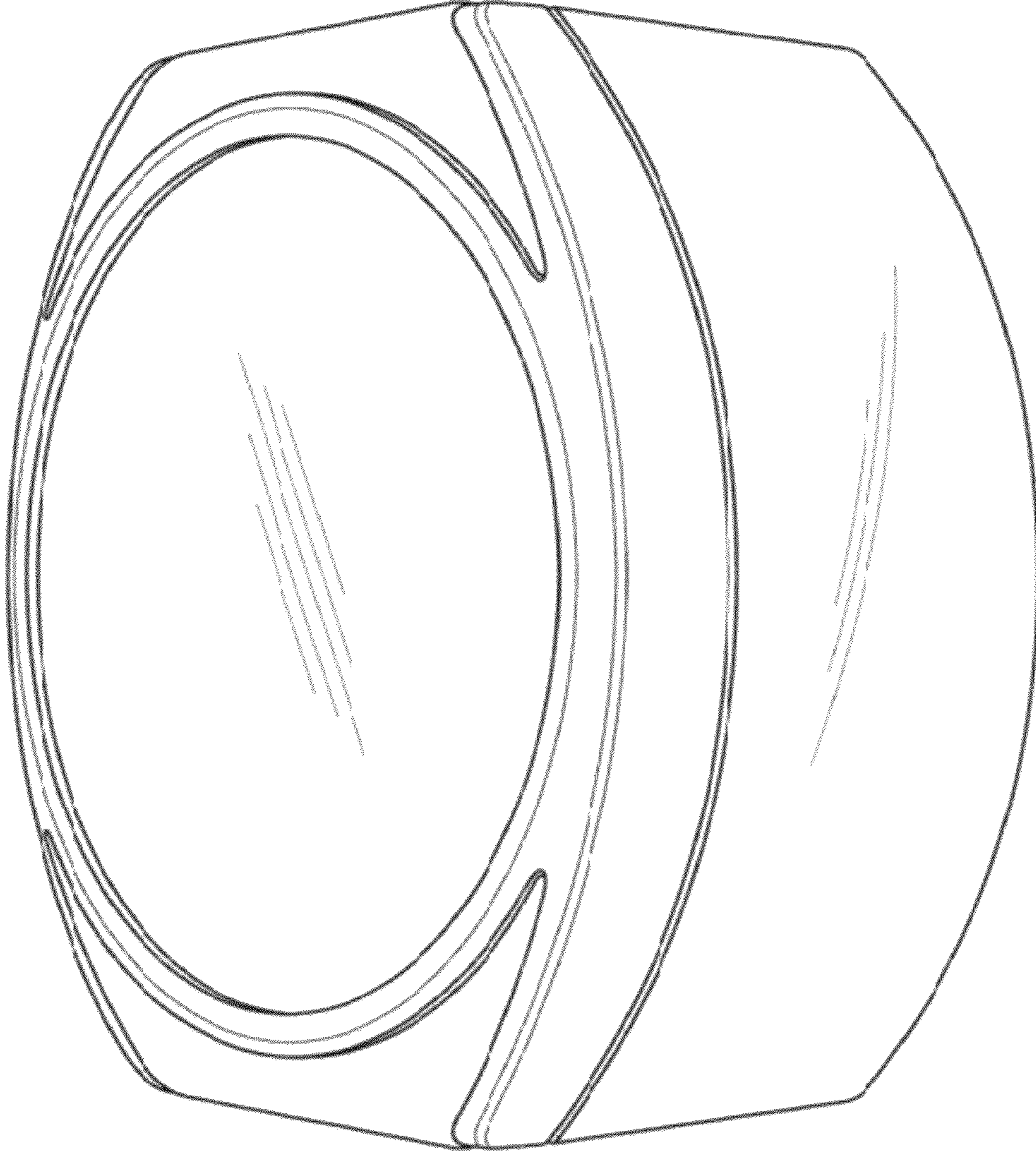


Fig. 3

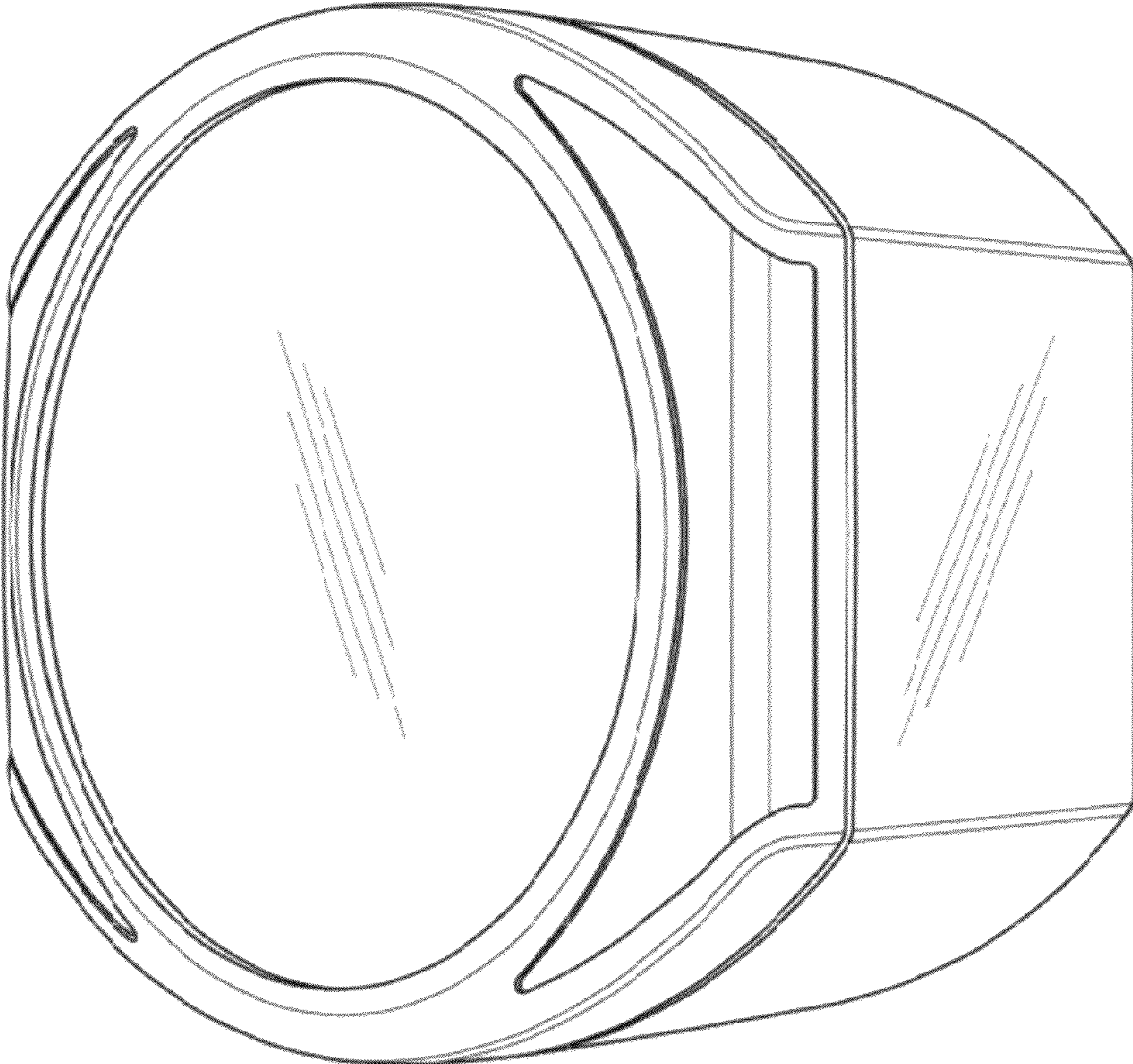


FIG. 4

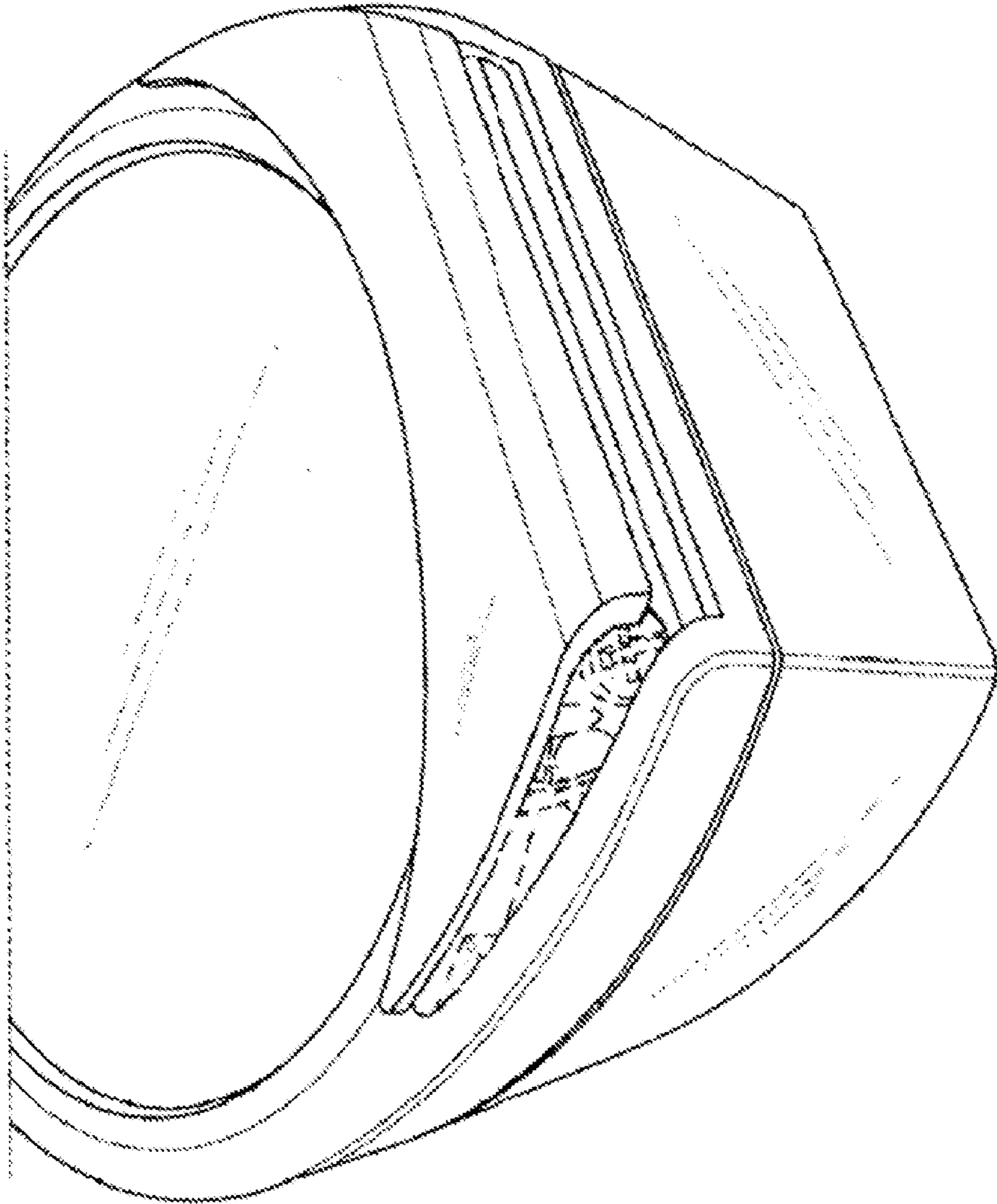


FIG. 5

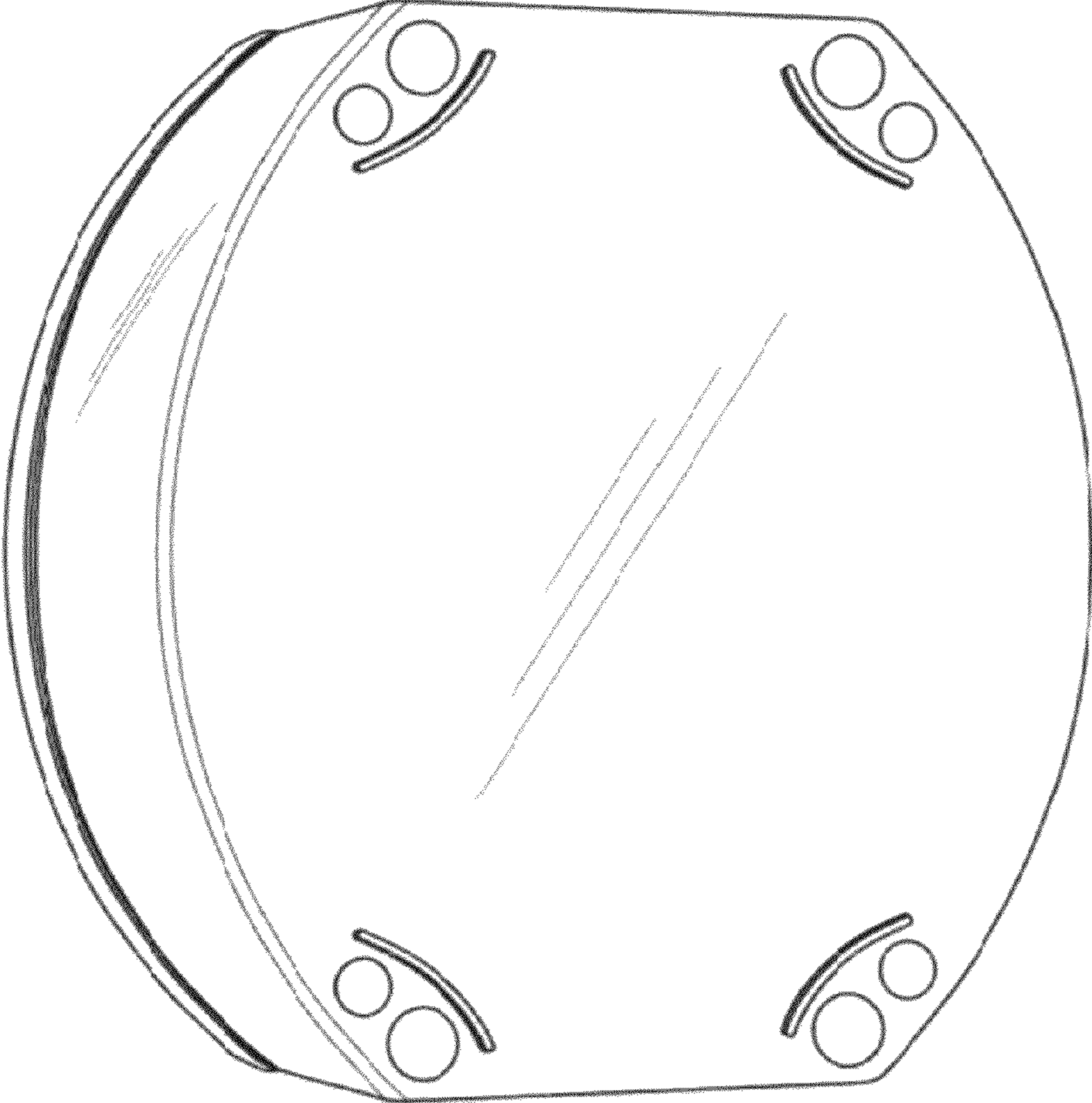


FIG. 6