

US00D661667S

(12) **United States Design Patent**
Heng et al.

(10) **Patent No.:** **US D661,667 S**
(45) **Date of Patent:** **** Jun. 12, 2012**

(54) **SOCKET ASSEMBLY**

(75) Inventors: **Stephen Heng**, Los Gatos, CA (US);
Mahesh Hardikar, San Jose, CA (US);
Ali Hassanzadeh, Fremont, CA (US);
Sanjay Dandia, San Jose, CA (US)

7,291,022 B2 11/2007 Toda et al.
7,367,815 B2 5/2008 Ma
7,374,446 B2 5/2008 Toda et al.
7,396,248 B2 7/2008 Zhang
7,435,103 B2 10/2008 Ma
7,497,743 B2 3/2009 Tsai

(Continued)

(73) Assignee: **Advanced Micro Devices, Inc.**,
Sunnyvale, CA (US)

(**) Term: **14 Years**

(21) Appl. No.: **29/399,343**

(22) Filed: **Aug. 12, 2011**

Related U.S. Application Data

(62) Division of application No. 29/358,468, filed on Mar.
26, 2010, now Pat. No. Des. 645,426.

(51) **LOC (9) Cl.** **13-03**

(52) **U.S. Cl.** **D13/182**

(58) **Field of Classification Search** D13/182;
439/70, 71, 72, 73, 74, 330, 331, 620.2
See application file for complete search history.

(56) **References Cited**

U.S. PATENT DOCUMENTS

D288,803 S	3/1987	Capawana
D295,401 S	4/1988	Klees
4,918,513 A	4/1990	Kurose et al.
D313,686 S	1/1991	Vitek
5,486,771 A	1/1996	Volz et al.
D379,350 S	5/1997	Kerklaan
D407,382 S	3/1999	Acciaioli et al.
6,746,253 B1	6/2004	Ma
6,805,562 B2	10/2004	Liao et al.
7,014,488 B2	3/2006	Stone

OTHER PUBLICATIONS

Picture of Socket F design; from www.commons.wikimedia.org;
Mar. 25, 2010.

(Continued)

Primary Examiner — Selina Sikder

(74) *Attorney, Agent, or Firm* — Faegre Baker Daniels LLP

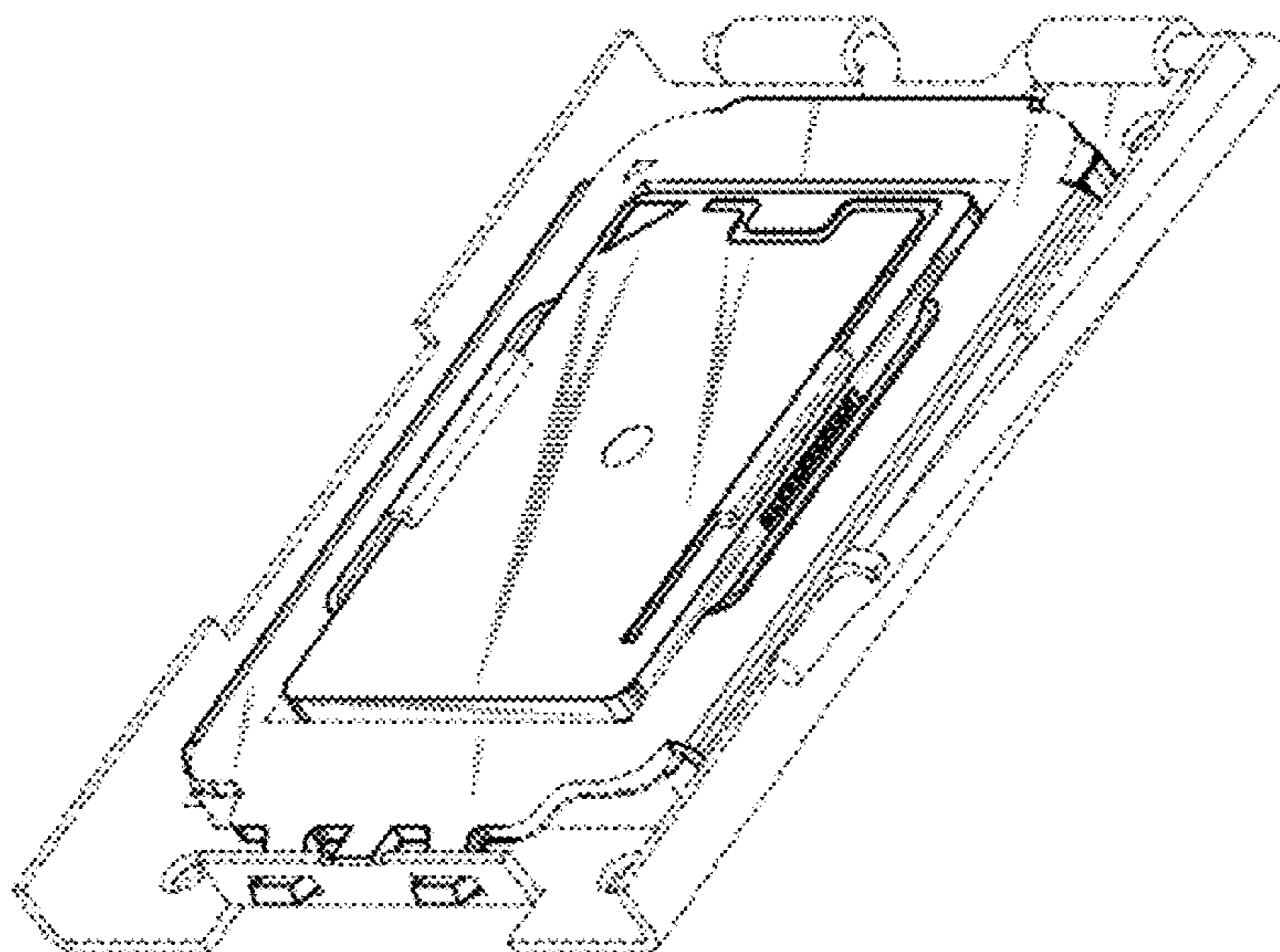
(57) **CLAIM**

The ornamental design for a socket assembly, as shown and described.

DESCRIPTION

FIG. 1 is a first front perspective view of the socket assembly;
FIG. 2 is a first front view of the socket assembly;
FIG. 3 is a first top view of the socket assembly;
FIG. 4 is a first bottom view of the socket assembly;
FIG. 5 is a first left side view of the socket assembly;
FIG. 6 is a first right side view of the socket assembly;
FIG. 7 is a first rear view of the socket assembly;
FIG. 8 is a second front perspective view of the socket assembly; and,
FIG. 9 is a second front view of the socket assembly.
The broken line showing of the socket assembly is for illustrative purposes only and forms no part of the claimed design.

1 Claim, 4 Drawing Sheets



US D661,667 S

Page 2

U.S. PATENT DOCUMENTS

7,527,503 B1 5/2009 Polnyi
7,666,020 B2 2/2010 Zhang et al.
7,666,022 B2* 2/2010 Yeh et al. 439/331
7,708,579 B2 5/2010 Yeh
7,753,703 B2 7/2010 Liao et al.
7,798,856 B2 9/2010 Liao
D633,877 S 3/2011 Heng et al.
D633,878 S 3/2011 Heng et al.
D633,879 S 3/2011 Heng et al.
D633,880 S 3/2011 Heng et al.
D641,720 S 7/2011 Heng et al.
D645,426 S* 9/2011 Heng et al. D13/182
8,052,452 B2* 11/2011 Yeh et al. 439/331
2005/0233629 A1 10/2005 Tsai
2005/0287837 A1 12/2005 Trobough

2006/0199413 A1 9/2006 Ju
2007/0173081 A1 7/2007 Yu et al.
2008/0242138 A1 10/2008 Chang
2010/0062623 A1 3/2010 Chen et al.
2011/0195588 A1* 8/2011 Yeh 439/331
2011/0294330 A1* 12/2011 Dai 439/331

OTHER PUBLICATIONS

Advanced Micro Devices; AMD Socket F (1207) Design Specification; Publication No. 31700; Revision 1.03; Mar. 2006.
U.S. Appl. No. 29/358,468, filed Mar. 26, 2010.
U.S. Appl. No. 29/384,169, filed Jan. 27, 2011.
U.S. Appl. No. 29/394,524, filed Jun. 17, 2011.
L1 Package; 2008; pp. 1-3.

* cited by examiner

FIG. 1

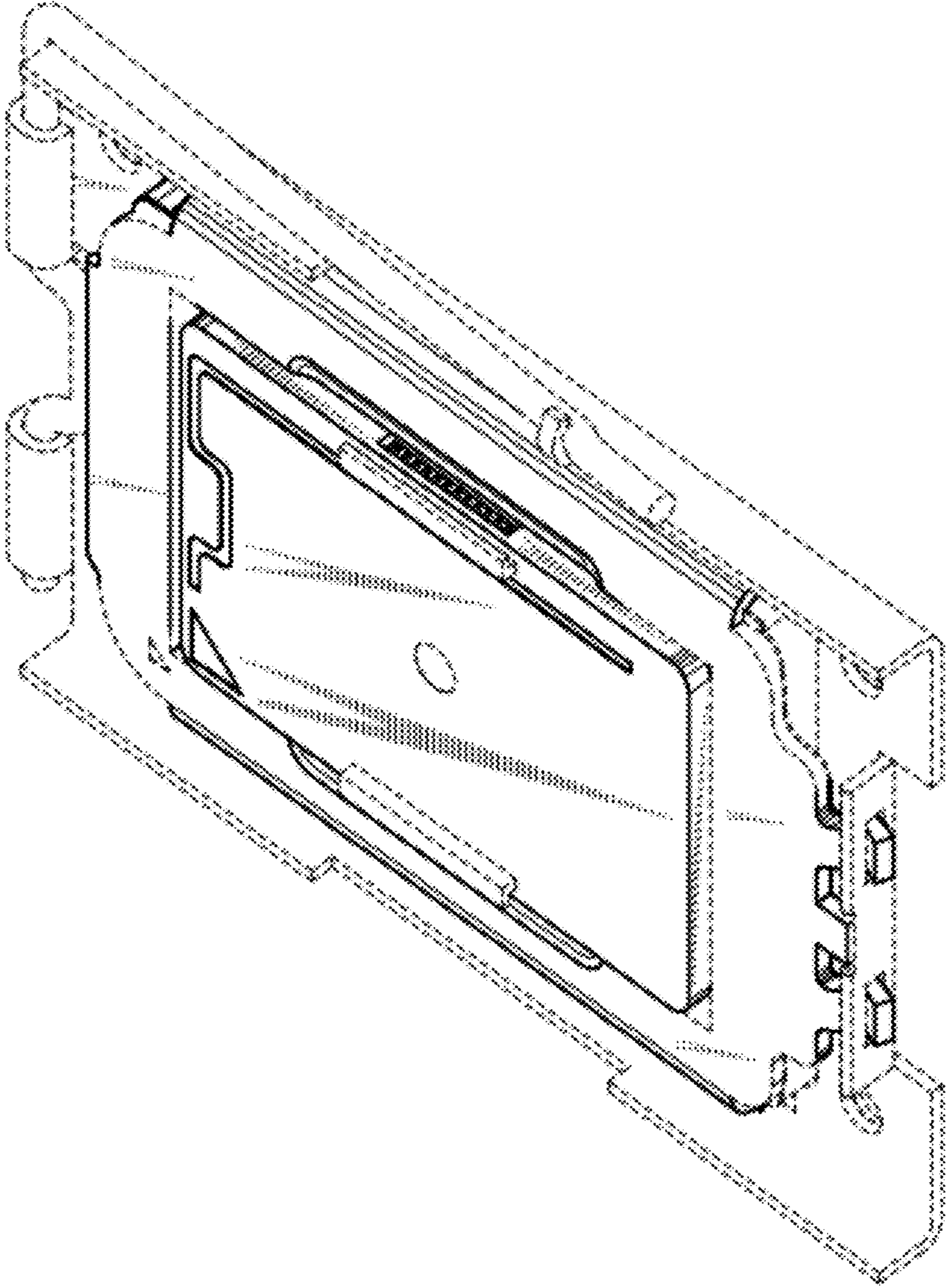


FIG. 2

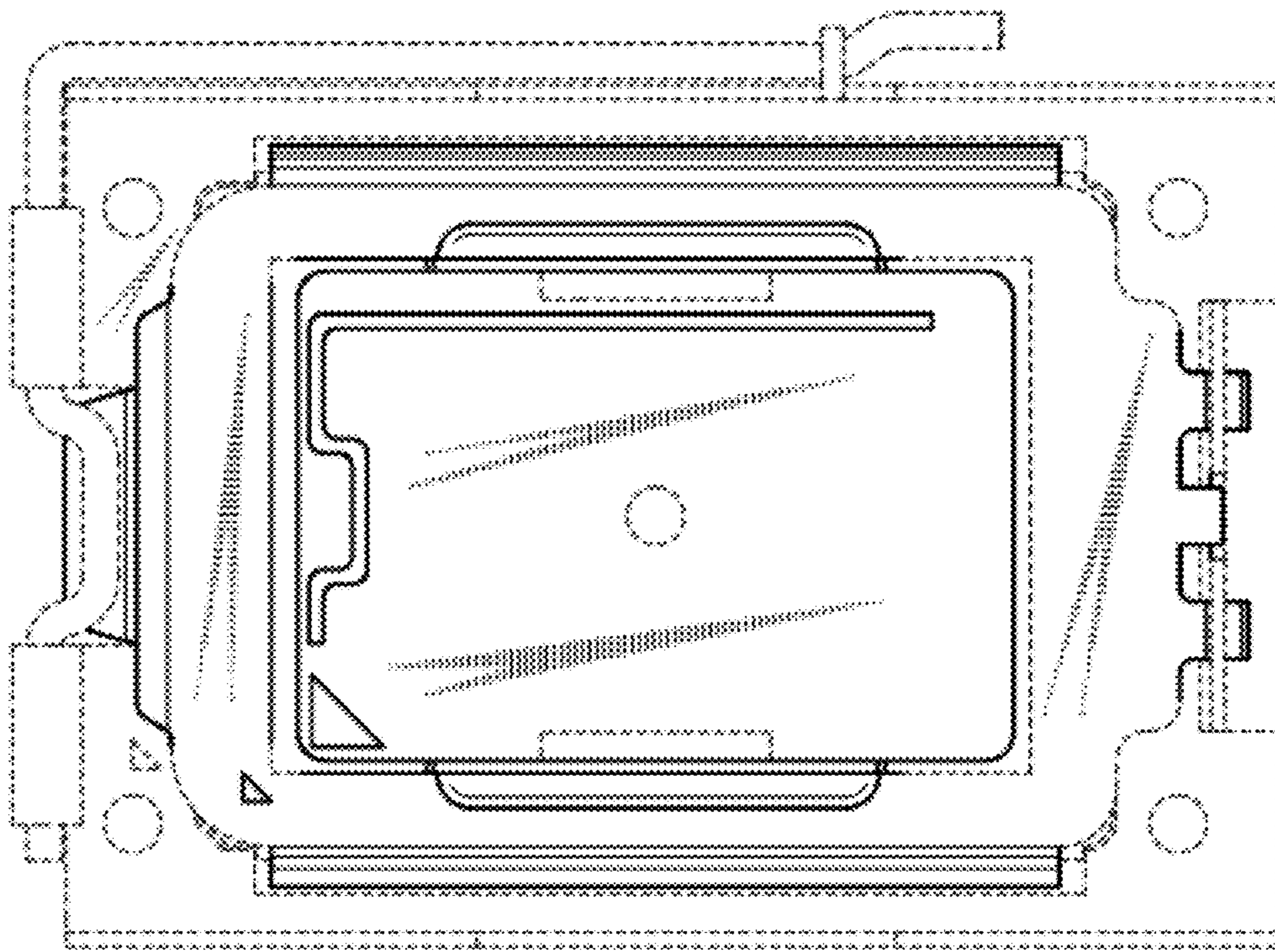


FIG. 3

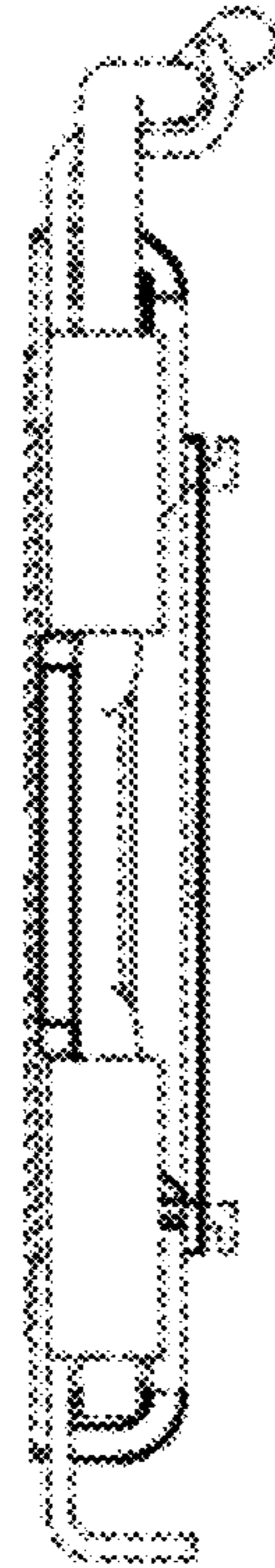


FIG. 4



FIG. 7

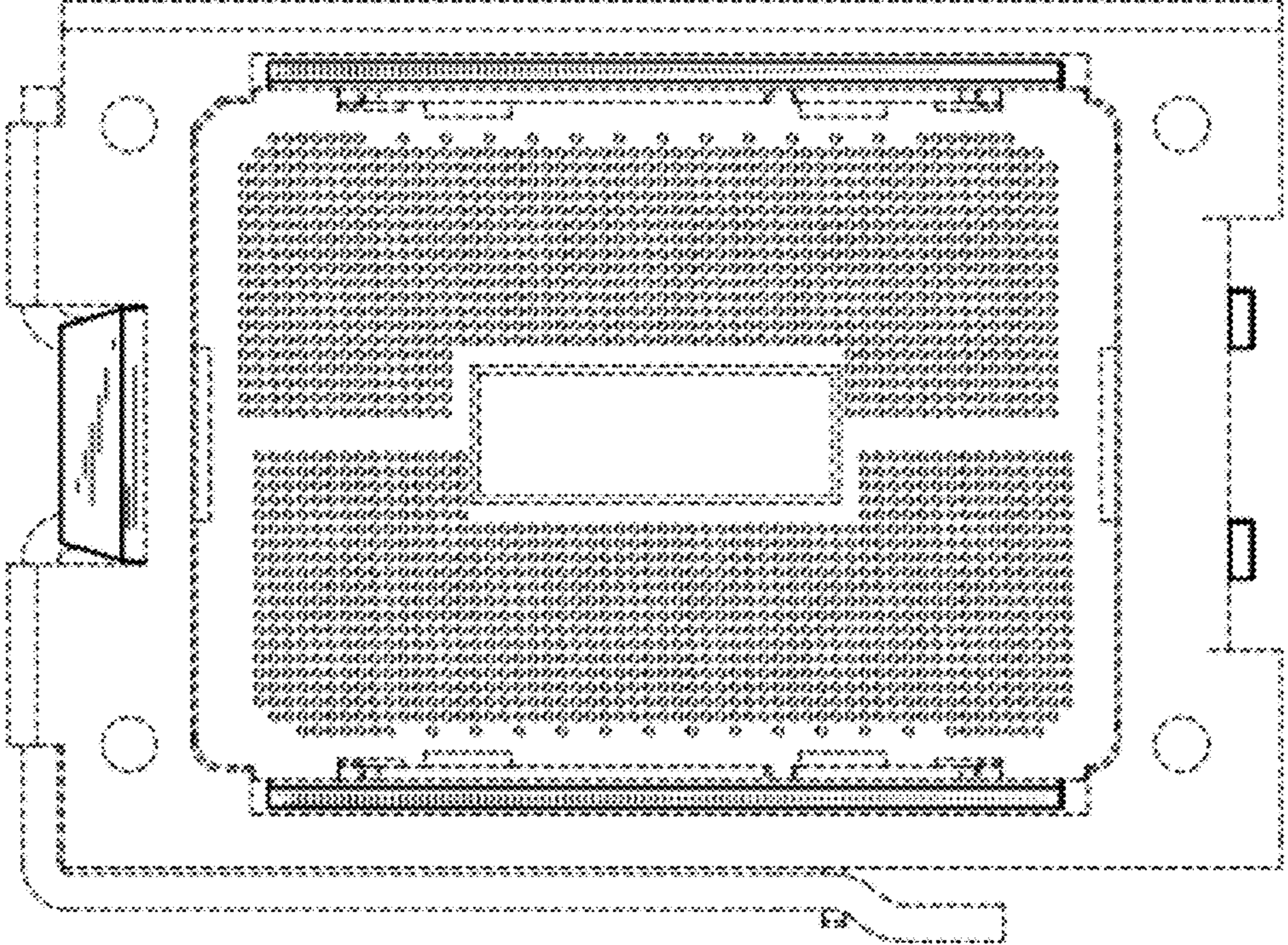


FIG. 6

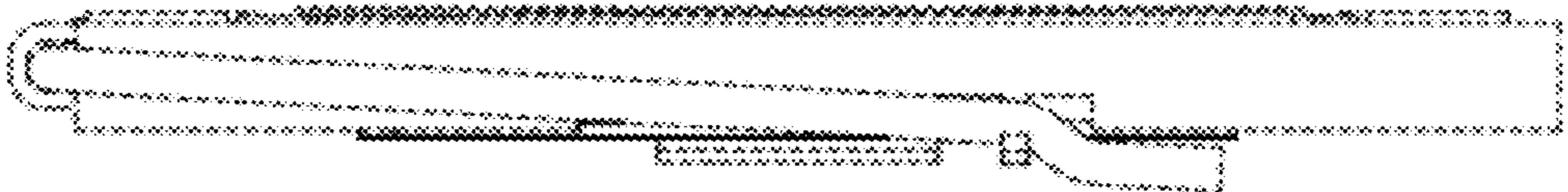


FIG. 5

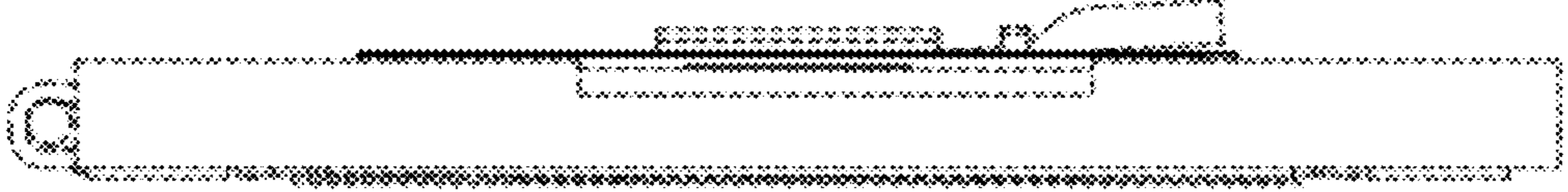


FIG. 9

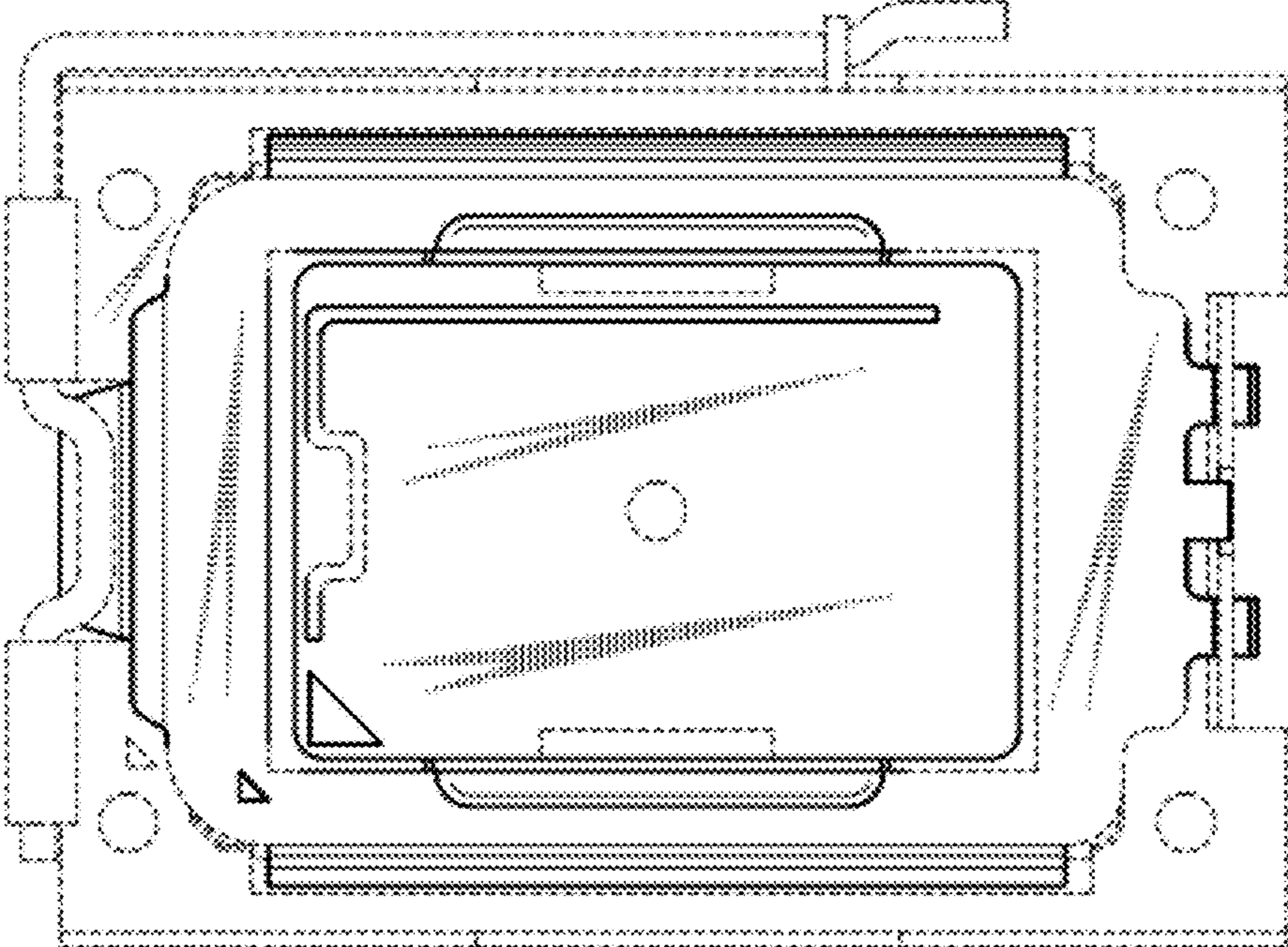


FIG. 8

