

US00D661663S

(12) **United States Design Patent**  
**Evans et al.**

(10) **Patent No.:** **US D661,663 S**  
(45) **Date of Patent:** **\*\* Jun. 12, 2012**

(54) **HAND-HELD ELECTRONIC CONTROLLER**

D606,946 S \* 12/2009 Zheng ..... D13/168  
D624,028 S \* 9/2010 Stamate et al. .... D13/168

(76) Inventors: **Chad Arthur Evans**, Semaphore (AU);  
**Warren Phillip Drew**, New South Wales  
(AU)

\* cited by examiner

(\*\*) Term: **14 Years**

*Primary Examiner* — Selina Sikder

(21) Appl. No.: **29/381,798**

(74) *Attorney, Agent, or Firm* — DLA Piper LLP (US)

(22) Filed: **Dec. 22, 2010**

(57) **CLAIM**

We claim the ornamental design for a hand-held electronic controller, as shown and described.

(30) **Foreign Application Priority Data**

**DESCRIPTION**

Jun. 30, 2010 (AU) ..... 332905

(51) **LOC (9) Cl.** ..... **14-03**

(52) **U.S. Cl.** ..... **D13/168**

(58) **Field of Classification Search** ..... D13/168;  
D14/218; 340/4.3, 4.42, 12.22, 12.23, 12.24,  
340/12.29, 12.3, 13.2, 13.21, 13.24; 341/176;  
345/156, 158, 169; 348/734; 455/352; 463/39;  
700/17, 65, 83

See application file for complete search history.

FIG. 1 is a left side perspective view of a hand-held electronic controller;  
FIG. 2 is a right side perspective view of the hand-held electronic controller;  
FIG. 3 is a view of the left side of the hand-held electronic controller;  
FIG. 4 is a view of the right side hand-held electronic controller;  
FIG. 5 is a view of the top of the hand-held electronic controller;  
FIG. 6 is a view of bottom of the hand-held electronic controller;  
FIG. 7 is a view of the back of the hand-held electronic controller; and,  
FIG. 8 a view of the front of the hand-held electronic controller.

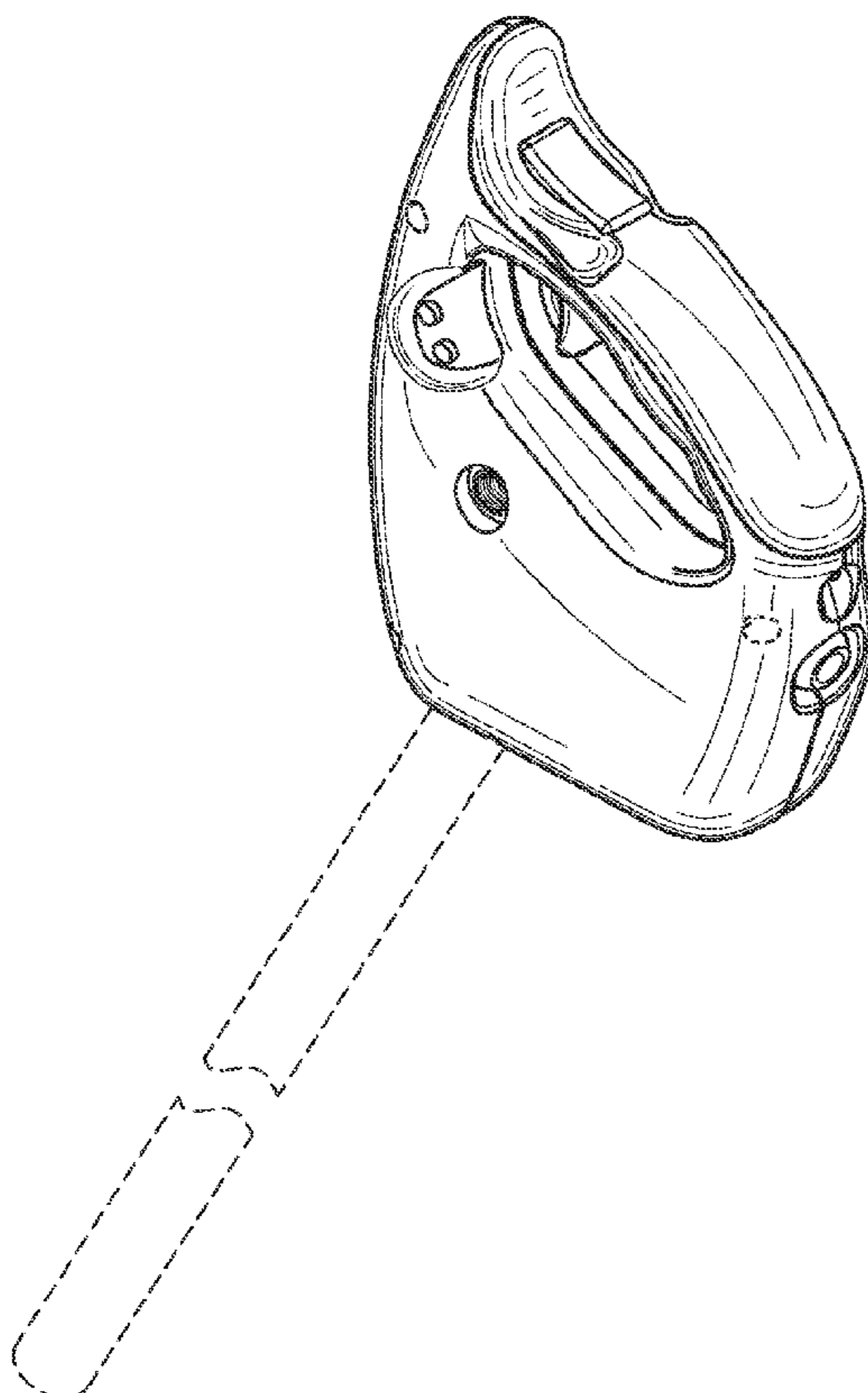
(56) **References Cited**

**U.S. PATENT DOCUMENTS**

D184,498 S \* 2/1959 Tevebaugh ..... D13/168  
6,646,630 B1 \* 11/2003 Yang ..... 345/156  
D596,141 S \* 7/2009 Boaz ..... D13/168

The use of broken lines indicates that the environmental structure or the portion of the article depicted in broken lines forms no part of the design.

**1 Claim, 7 Drawing Sheets**



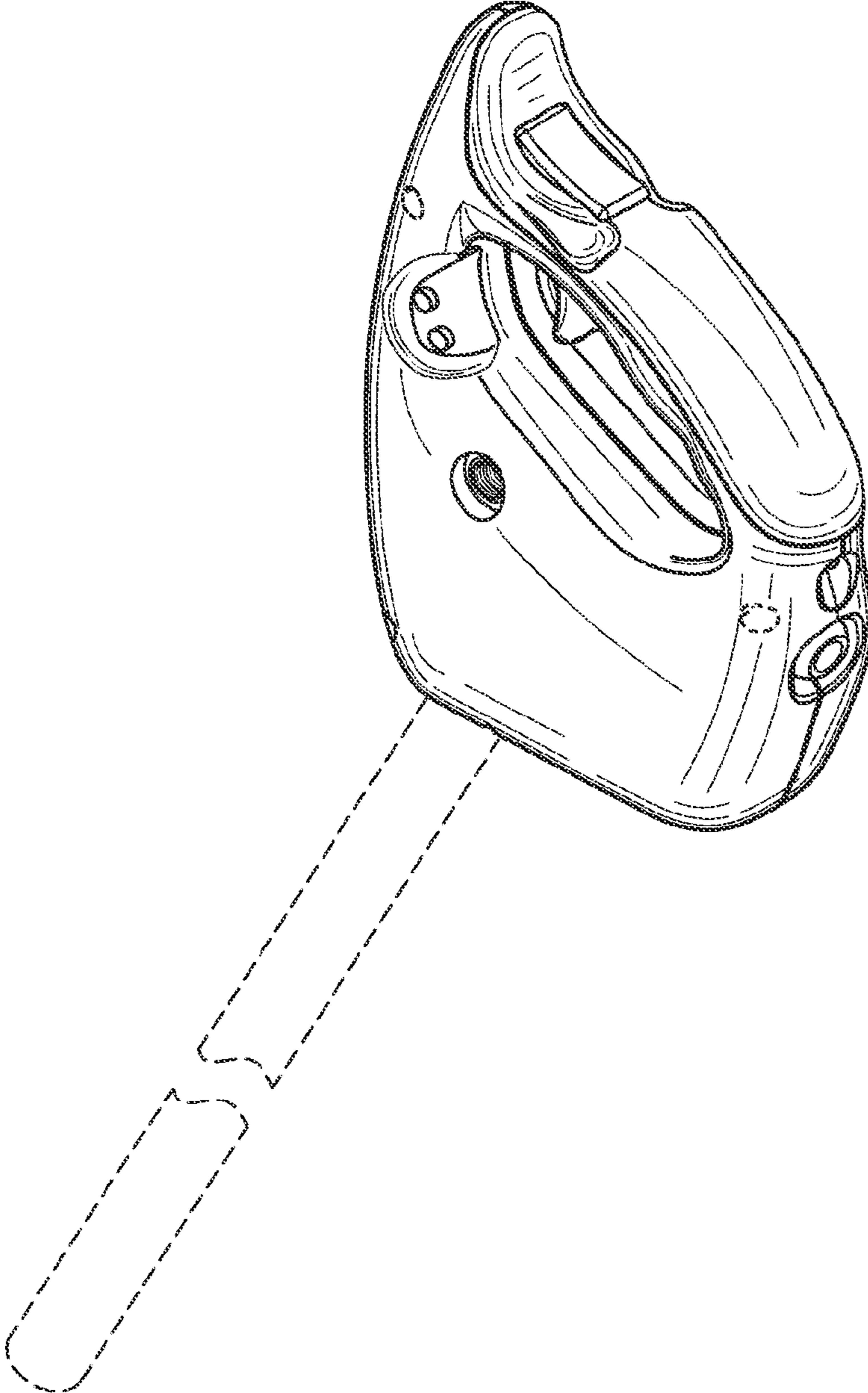


FIGURE 1

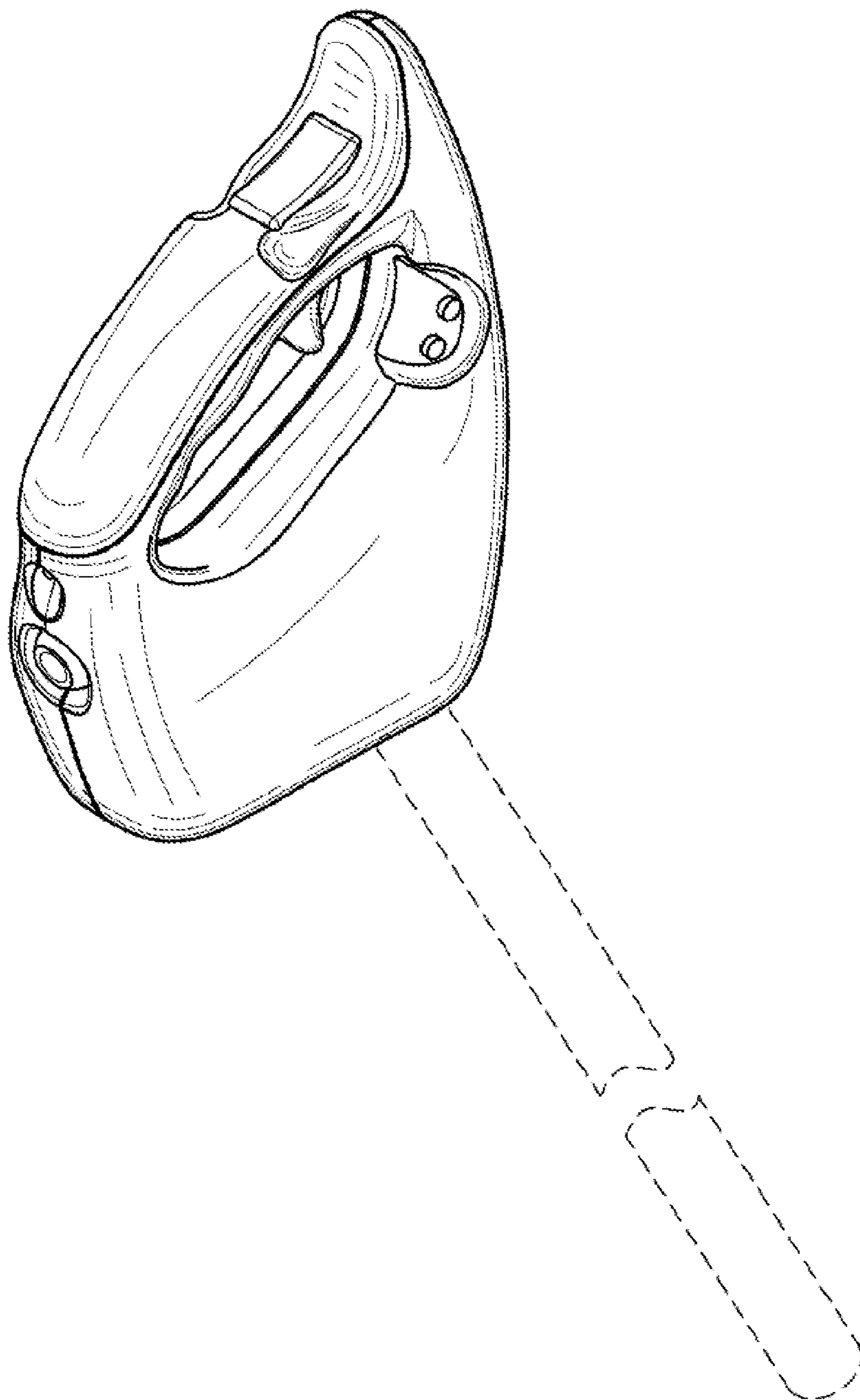


FIGURE 2

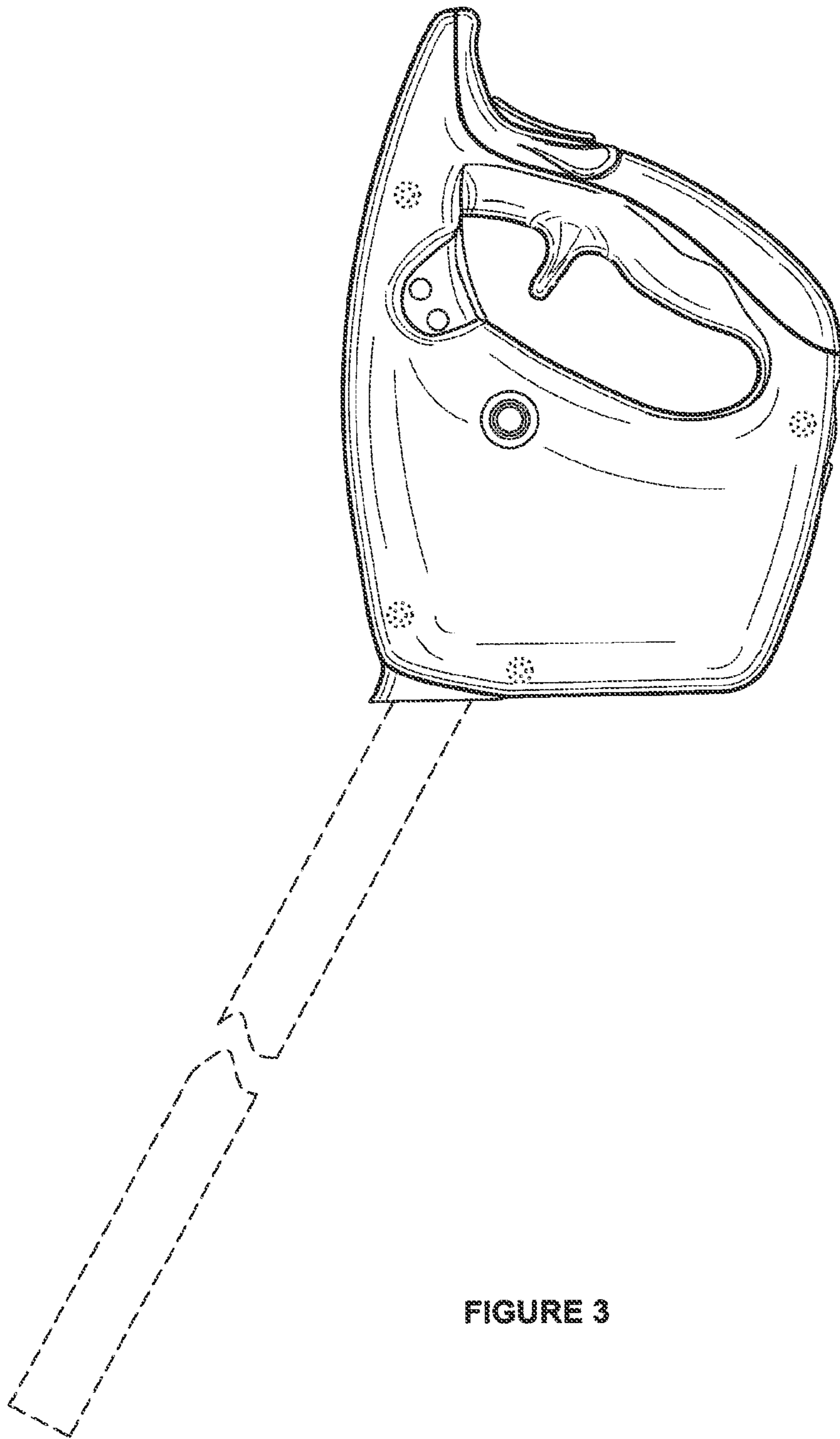


FIGURE 3

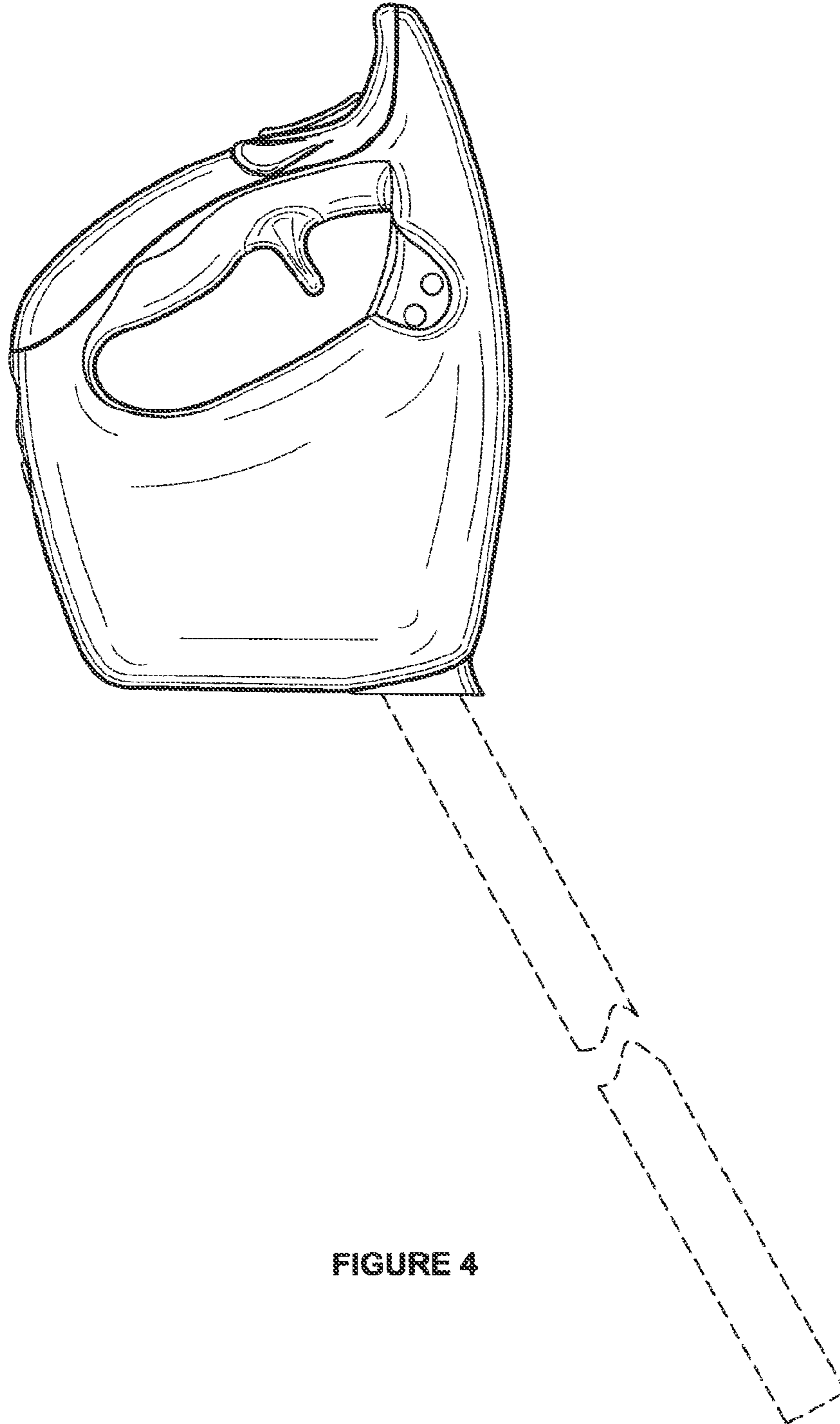


FIGURE 4



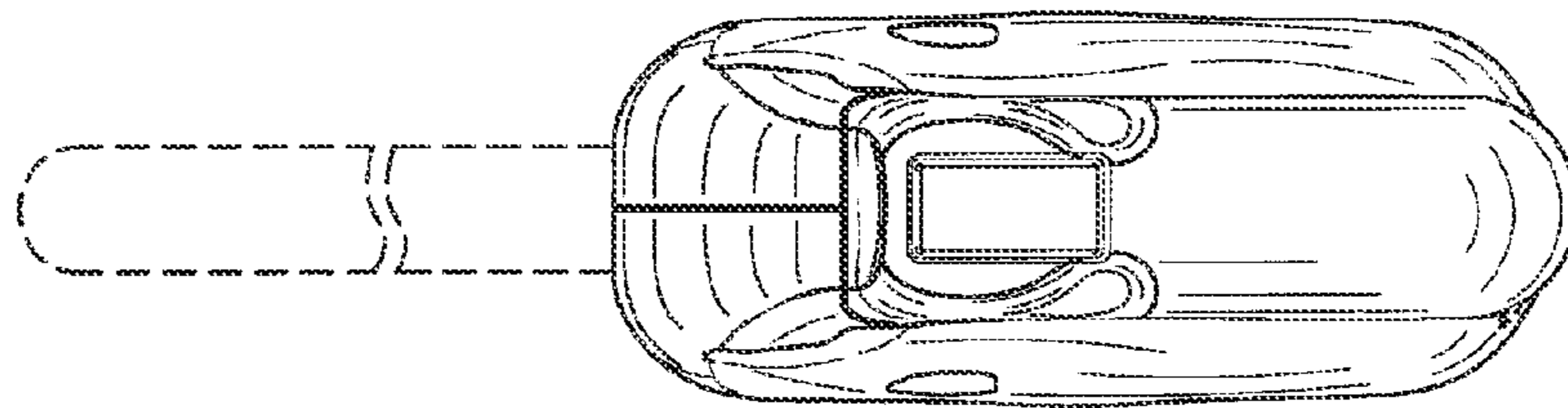


FIGURE 5

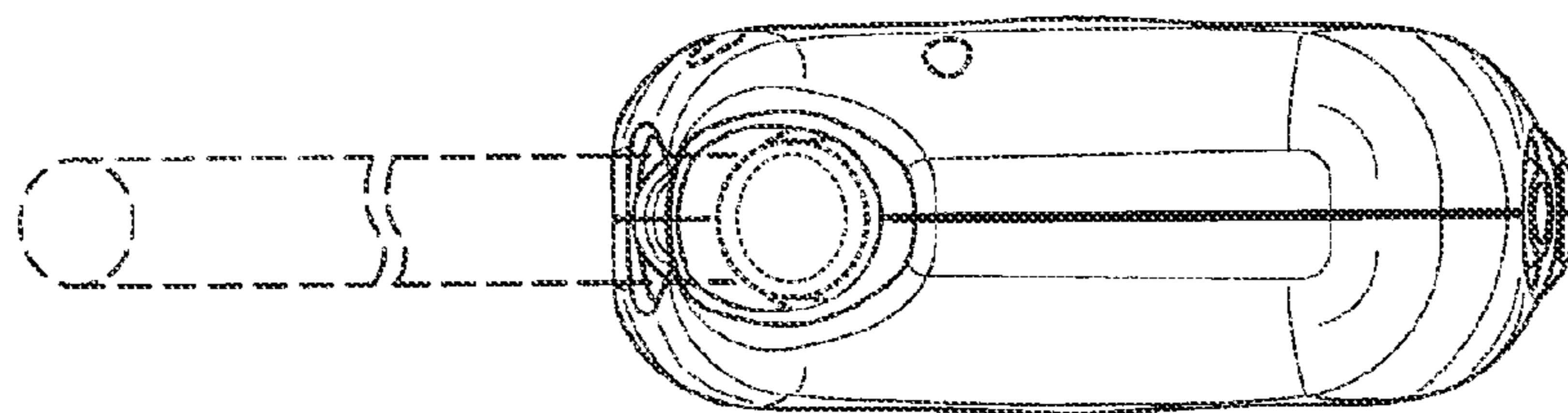


FIGURE 6

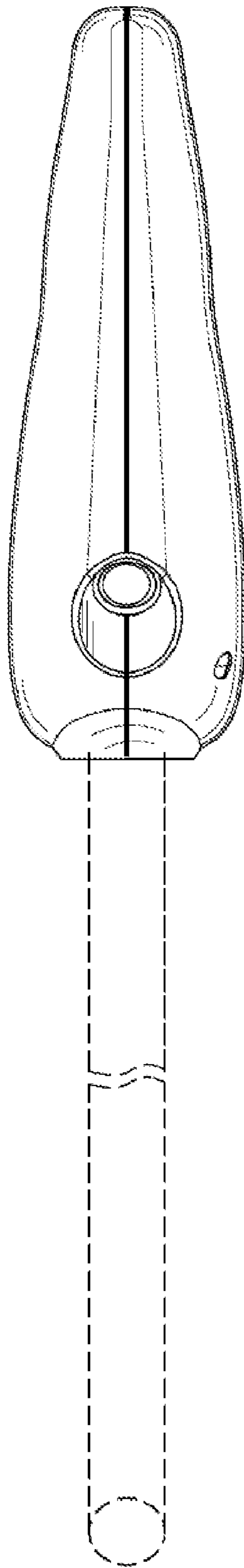


FIGURE 7

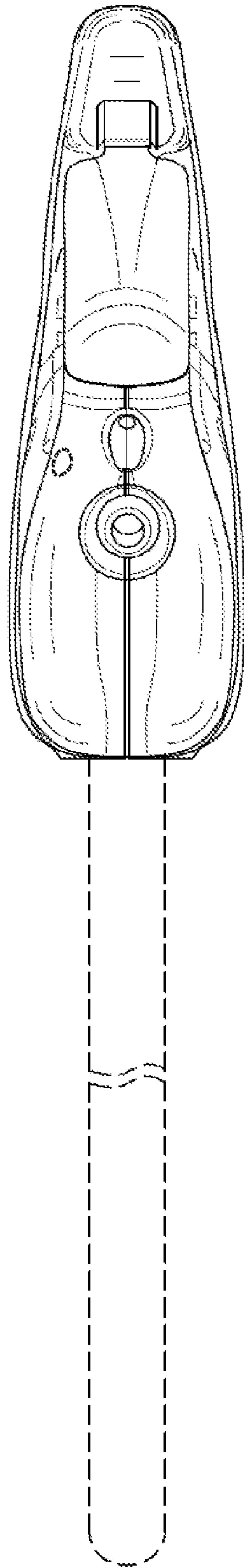


FIGURE 8