

US00D661661S

(12) **United States Design Patent**
Marrero

(10) **Patent No.:** **US D661,661 S**
(45) **Date of Patent:** **** Jun. 12, 2012**

(54) **COVER PLATE RECEIVER**

(76) Inventor: **Alex Marrero**, Woodbridge (CA)

(**) Term: **14 Years**

(21) Appl. No.: **29/330,129**

(22) Filed: **Dec. 30, 2008**

(30) **Foreign Application Priority Data**

Oct. 30, 2008 (CA) 128510

(51) **LOC (9) Cl.** **13-02**

(52) **U.S. Cl.** **D13/152**

(58) **Field of Classification Search** D13/139.4,
D13/152, 154, 156, 158, 160, 162-164, 173,
D13/184, 199; 174/50, 53-55, 58, 60, 66,
174/67; 220/3.2, 3.3, 3.7-3.9, 241, 242,
220/244, 315; 439/135, 136, 138, 142, 367,
439/373, 535, 536, 537, 541, 892, 893

See application file for complete search history.

(56) **References Cited**

U.S. PATENT DOCUMENTS

D295,168 S *	4/1988	Pisciotta	D13/156
D313,013 S *	12/1990	Krietzman	D14/313
D379,453 S *	5/1997	Fabrizi	D13/177
D401,566 S *	11/1998	Gesmondi et al.	D13/177
D466,085 S *	11/2002	Heggen	D13/152
D470,822 S *	2/2003	Dyer et al.	D13/156
D518,002 S *	3/2006	Johanneck et al.	D13/184
D584,236 S *	1/2009	Wegner et al.	D13/152
D595,659 S *	7/2009	Maurer et al.	D13/152
D598,392 S *	8/2009	Vigorito et al.	D13/152
D619,097 S *	7/2010	McCarthy	D13/152
D619,098 S *	7/2010	Mike	D13/152

OTHER PUBLICATIONS

Photo 1 is a component of a cover plate assembly, showing a back view of the backer plate and the cover plate.

Photo 2 is a front view of the backer plate and the cover plate, disassembled.

Photo 3 is a front view of the cover plate engaged with the backer plate; i.e., assembled.

Photo 4 is a side, front view of the structure.

* cited by examiner

Primary Examiner — Rosemary K Tarcza

(74) *Attorney, Agent, or Firm* — Young Basile Hanlon & MacFarlane PC

(57) **CLAIM**

The ornamental design for a cover plate receiver, as shown and described.

DESCRIPTION

FIG. 1 is a rear view of the cover plate receiver;

FIG. 2 is a side view of the cover plate receiver, the other side being a mirror image thereof;

FIG. 3 is an end view of the cover plate receiver, the other end being a mirror image thereof;

FIG. 4 is a front view of the cover plate receiver;

FIG. 5 is a front perspective view of the cover plate receiver;

FIG. 6 is a rear perspective view of the cover plate receiver;

FIG. 7 is a cross-sectional view taken along line 7-7 of FIG. 4;

FIG. 8 is a cross-sectional view taken along 8-8 of FIG. 4;

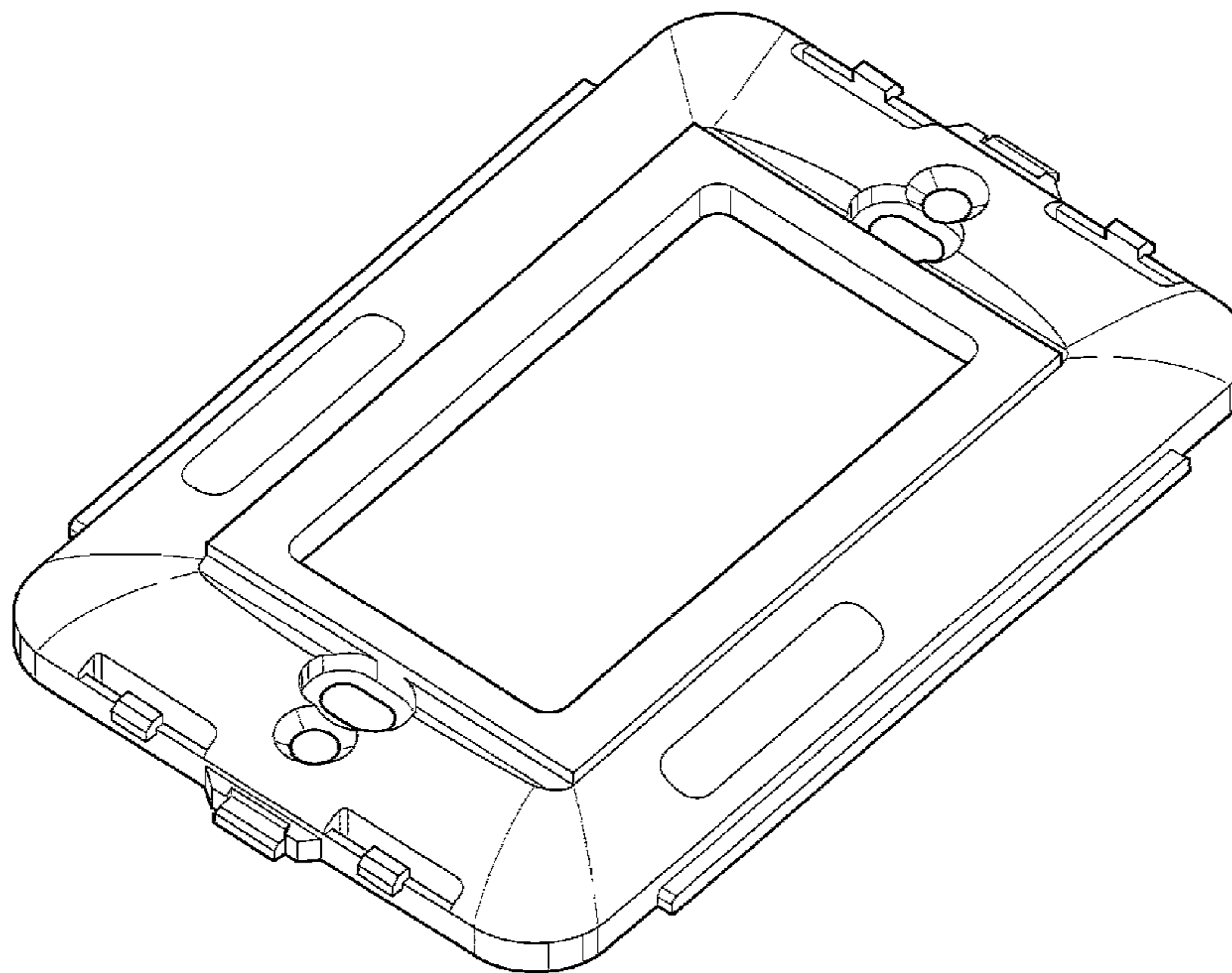
FIG. 9 is an enlarged detail view of encircled area 9 of FIG. 7;

FIG. 10 is an enlarged detail view of encircled area 10 of FIG. 7; and,

FIG. 11 is an enlarged detail view of encircled area 11 of FIG. 4.

4.

1 Claim, 6 Drawing Sheets



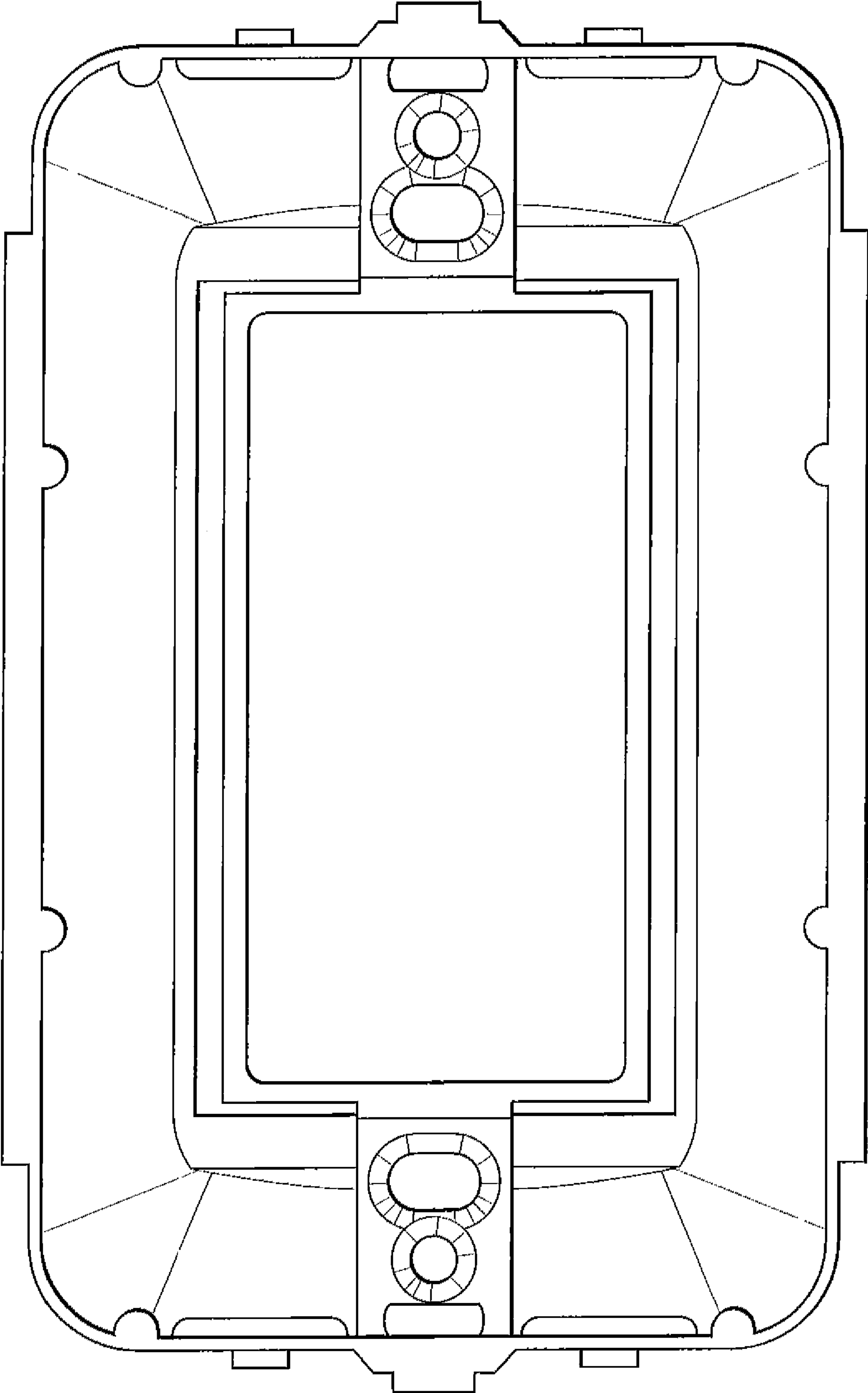


FIG. 1

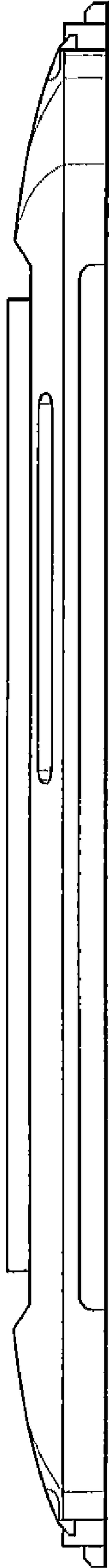


FIG. 2

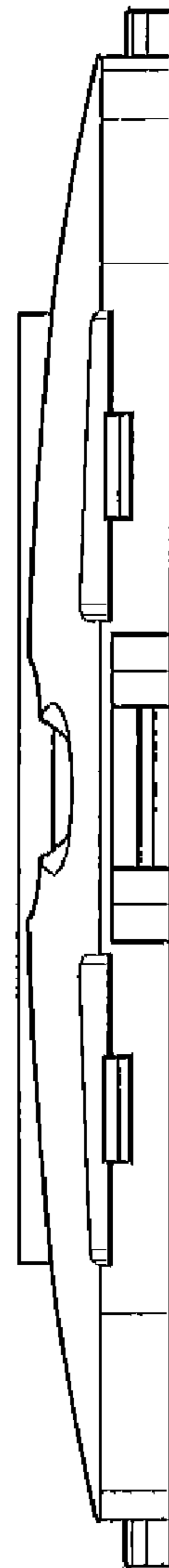


FIG. 3

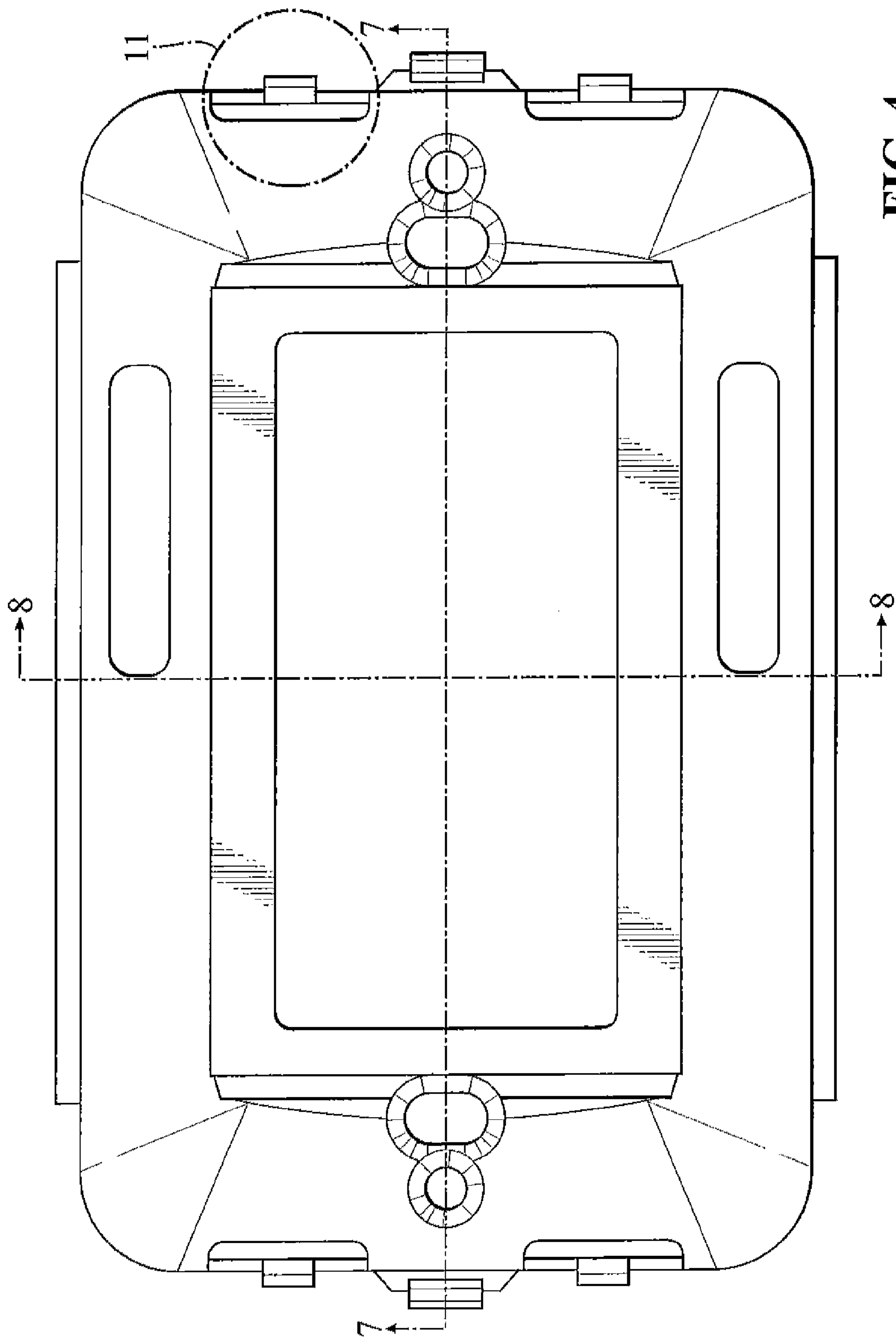


FIG. 4

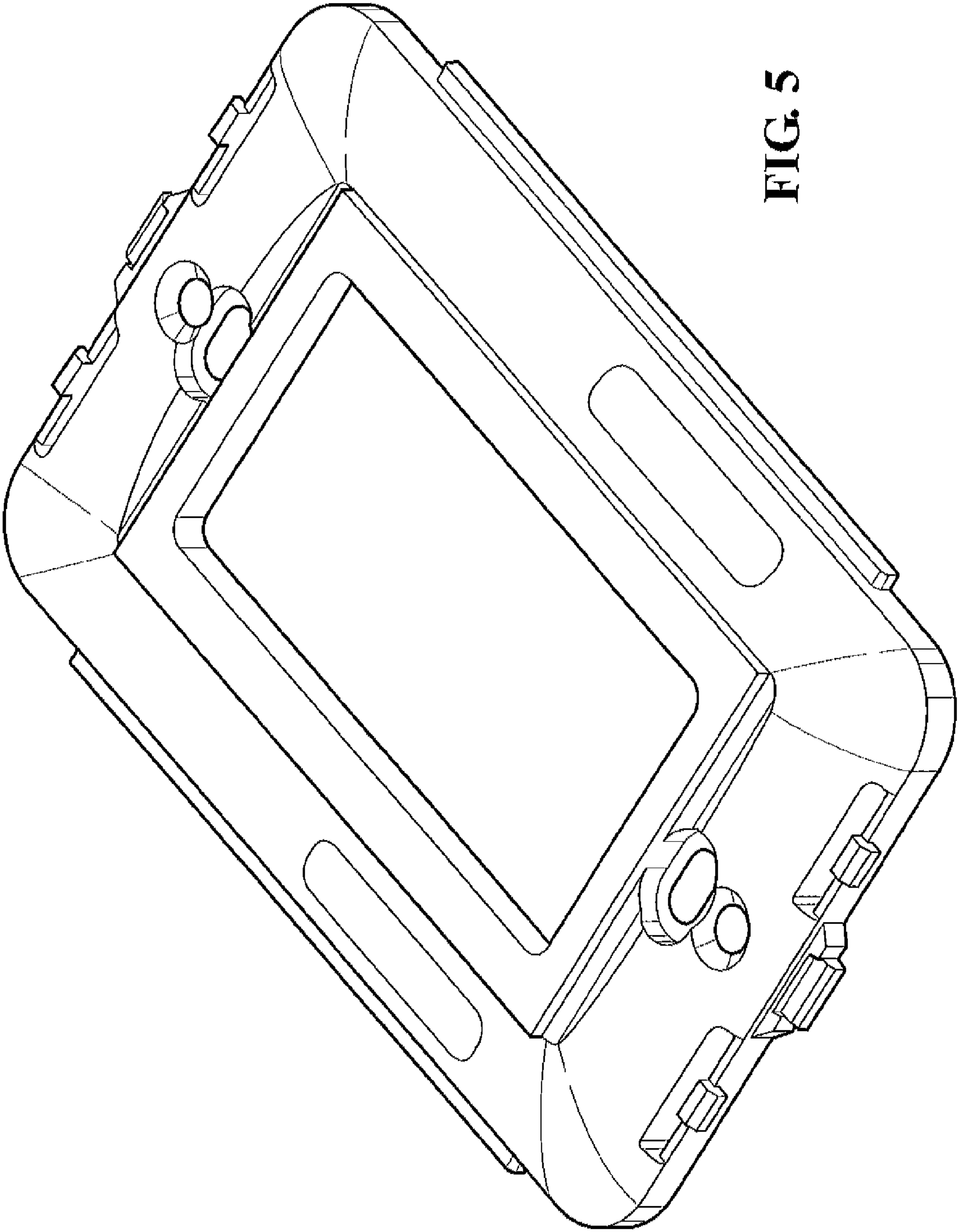


FIG. 5

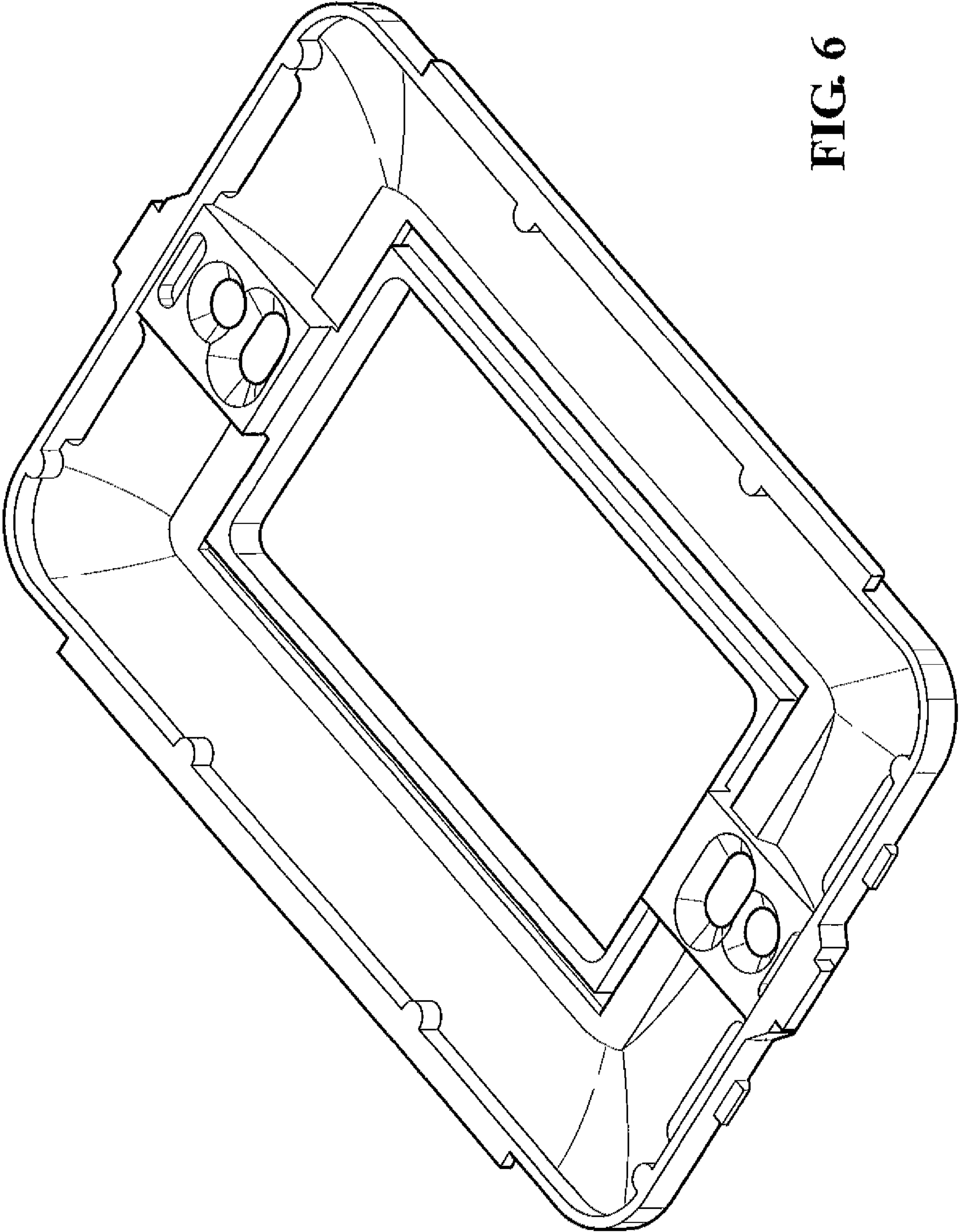


FIG. 6

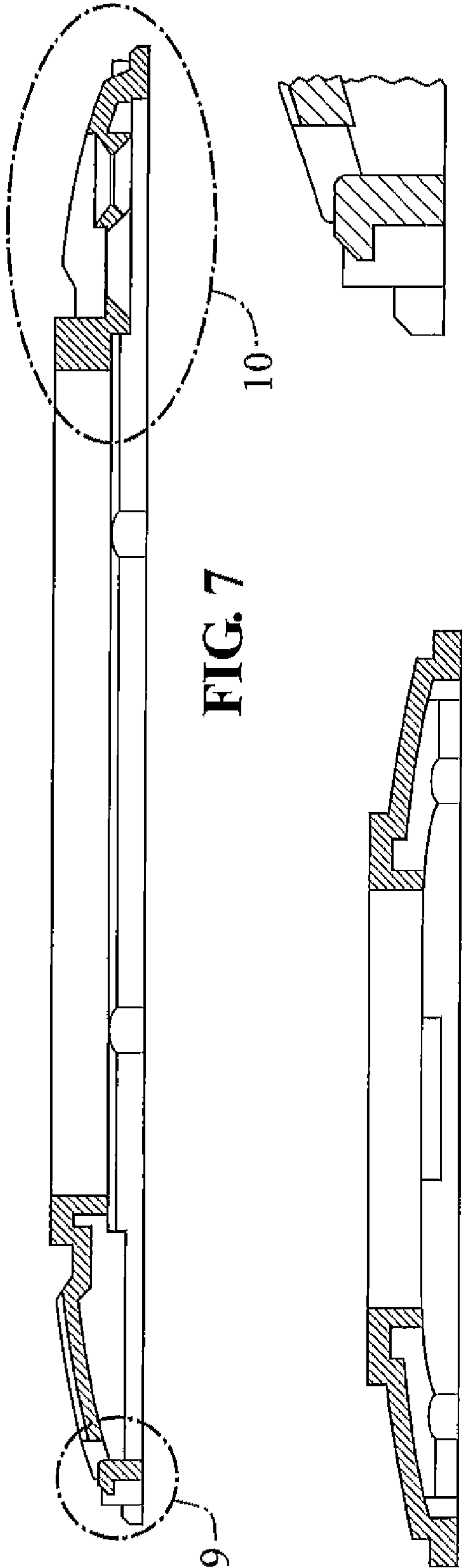


FIG. 9

FIG. 8

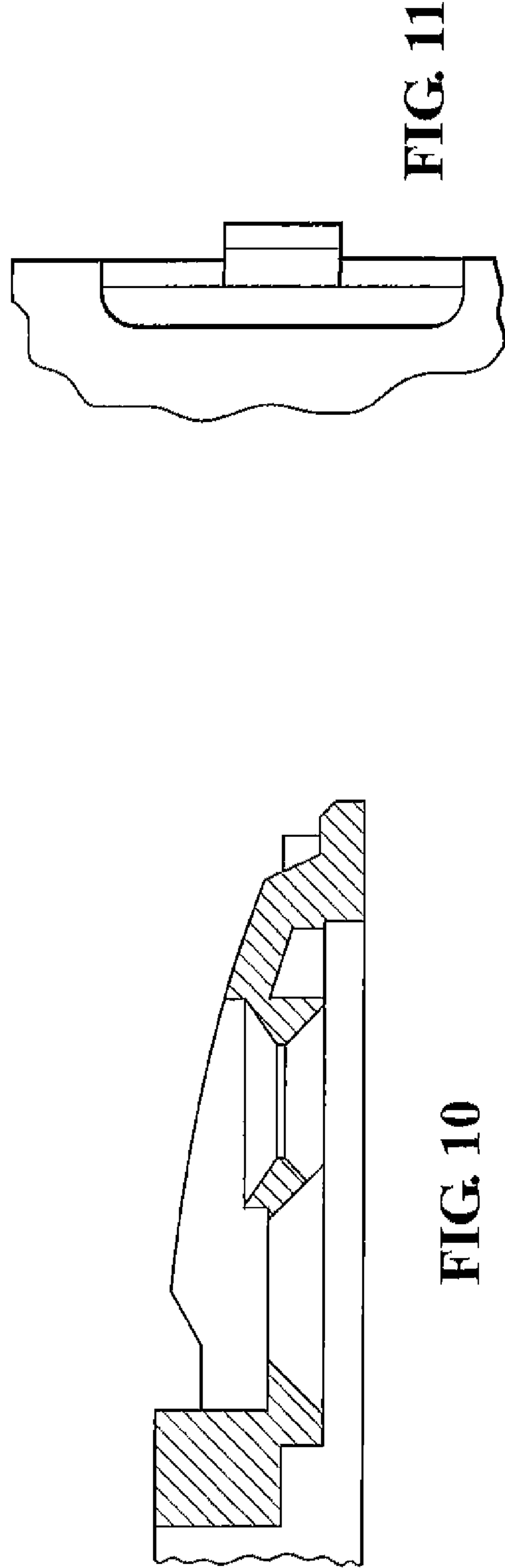


FIG. 11

FIG. 10