

US00D661659S

(12) **United States Design Patent**
Natoli et al.

(10) **Patent No.:** **US D661,659 S**
(45) **Date of Patent:** **** Jun. 12, 2012**

(54) **OPEN COMPRESSION-TYPE COAXIAL CABLE CONNECTOR**

(75) Inventors: **Chris Natoli**, Fulton, NY (US); **Noah Montena**, Syracuse, NY (US); **Jeremy Amidon**, Marcellus, NY (US); **Shawn M. Chawgo**, Cicero, NY (US)

(73) Assignee: **John Mezzalingua Associates, Inc.**, East Syracuse, NY (US)

(**) Term: **14 Years**

(21) Appl. No.: **29/366,107**

(22) Filed: **Jul. 20, 2010**

(51) **LOC (9) Cl.** **13-03**

(52) **U.S. Cl.** **D13/151; D13/154**

(58) **Field of Classification Search** D13/133, D13/151, 153, 154, 156, 184; 439/180, 253, 439/254, 255, 256, 257, 378, 380, 447, 527, 439/533, 543, 578, 583, 584, 585, 623, 944
See application file for complete search history.

(56) **References Cited**

U.S. PATENT DOCUMENTS

D436,076 S *	1/2001	Montena	D13/133
D437,826 S *	2/2001	Montena	D13/133
D505,391 S *	5/2005	Rodrigues et al.	D13/151
D556,693 S	12/2007	Montena		
D571,732 S	6/2008	Chawgo et al.		
D572,197 S	7/2008	Chawgo et al.		
D572,198 S	7/2008	Chawgo et al.		
D572,199 S	7/2008	Chawgo et al.		
D572,200 S	7/2008	Chawgo		
D572,663 S	7/2008	Chawgo et al.		
D574,780 S	8/2008	Chawgo et al.		
D574,781 S	8/2008	Chawgo et al.		
D574,782 S	8/2008	Chawgo et al.		
D574,783 S	8/2008	Chawgo et al.		
D574,784 S	8/2008	Chawgo		
D577,681 S	9/2008	Amidon		

D577,682 S	9/2008	Amidon		
D577,683 S	9/2008	Chawgo et al.		
D578,073 S	10/2008	Amidon		
D578,077 S	10/2008	Amidon		
D578,482 S	10/2008	Amidon		
D578,488 S	10/2008	Amidon		
D580,874 S	11/2008	Amidon		
D580,875 S	11/2008	Amidon		
D596,579 S	7/2009	Chawgo et al.		
D596,580 S	7/2009	Chawgo et al.		
D596,581 S	7/2009	Amidon		
D603,802 S	11/2009	Amidon		
D603,803 S	11/2009	Amidon		
D605,136 S	12/2009	Amidon		
D607,820 S *	1/2010	Thörner	D13/133
D610,999 S *	3/2010	Purdy et al.	D13/151
D611,912 S	3/2010	Montena		

(Continued)

Primary Examiner — Thomas Johannes

(74) *Attorney, Agent, or Firm* — Stephen R. Yoder, Esq.

(57) **CLAIM**

The ornamental design for an open compression-type coaxial cable connector, as shown and described.

DESCRIPTION

FIG. 1 is a front perspective view of the present invention showing our design for an open compression-type coaxial cable connector;

FIG. 2 is a back perspective view thereof;

FIG. 3 is a top view thereof, the claimed portion of which is a mirror image to a bottom view;

FIG. 4 is a right side view thereof, the claimed portion of which is a mirror image to a left side view;

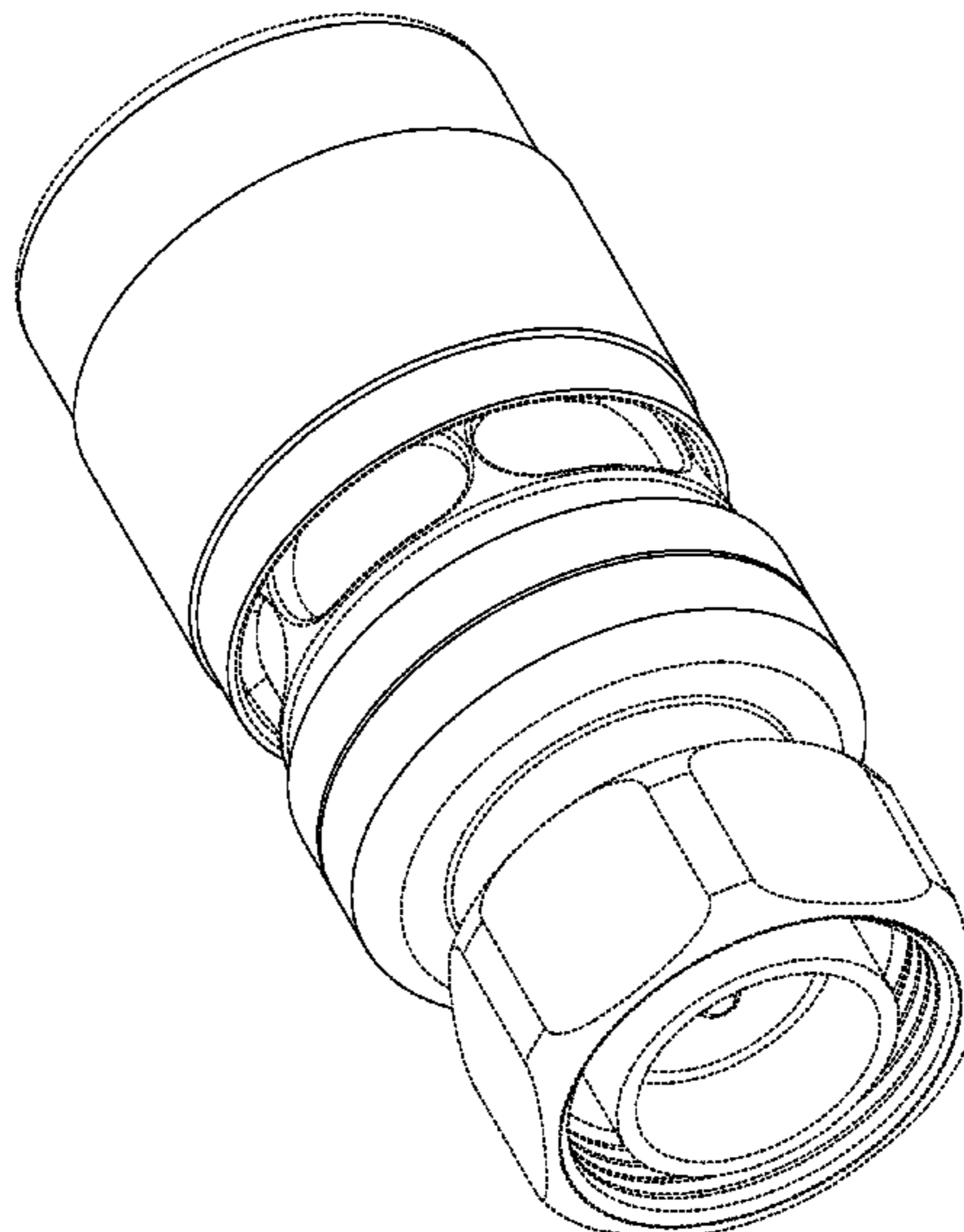
FIG. 5 is an enlarged front view thereof;

FIG. 6 is an enlarged back view thereof; and,

FIG. 7 is a front perspective view thereof, in a usage condition.

Broken lines, where shown, show unclaimed subject matter only and form no part of the claimed design.

1 Claim, 7 Drawing Sheets



US D661,659 S

Page 2

U.S. PATENT DOCUMENTS

D617,286 S	6/2010	Montena		D646,225 S	10/2011	Purdy et al.	
D626,920 S *	11/2010	Purdy et al.	D13/151	D646,226 S	10/2011	Purdy et al.	
D643,370 S	8/2011	Eriksen et al.		2007/0042642 A1 *	2/2007	Montena et al.	439/578
D644,612 S	9/2011	Purdy et al.		2010/0112855 A1 *	5/2010	Paynter et al.	439/584
D644,998 S	9/2011	Purdy et al.		2011/0009000 A1 *	1/2011	Paynter	439/584

* cited by examiner

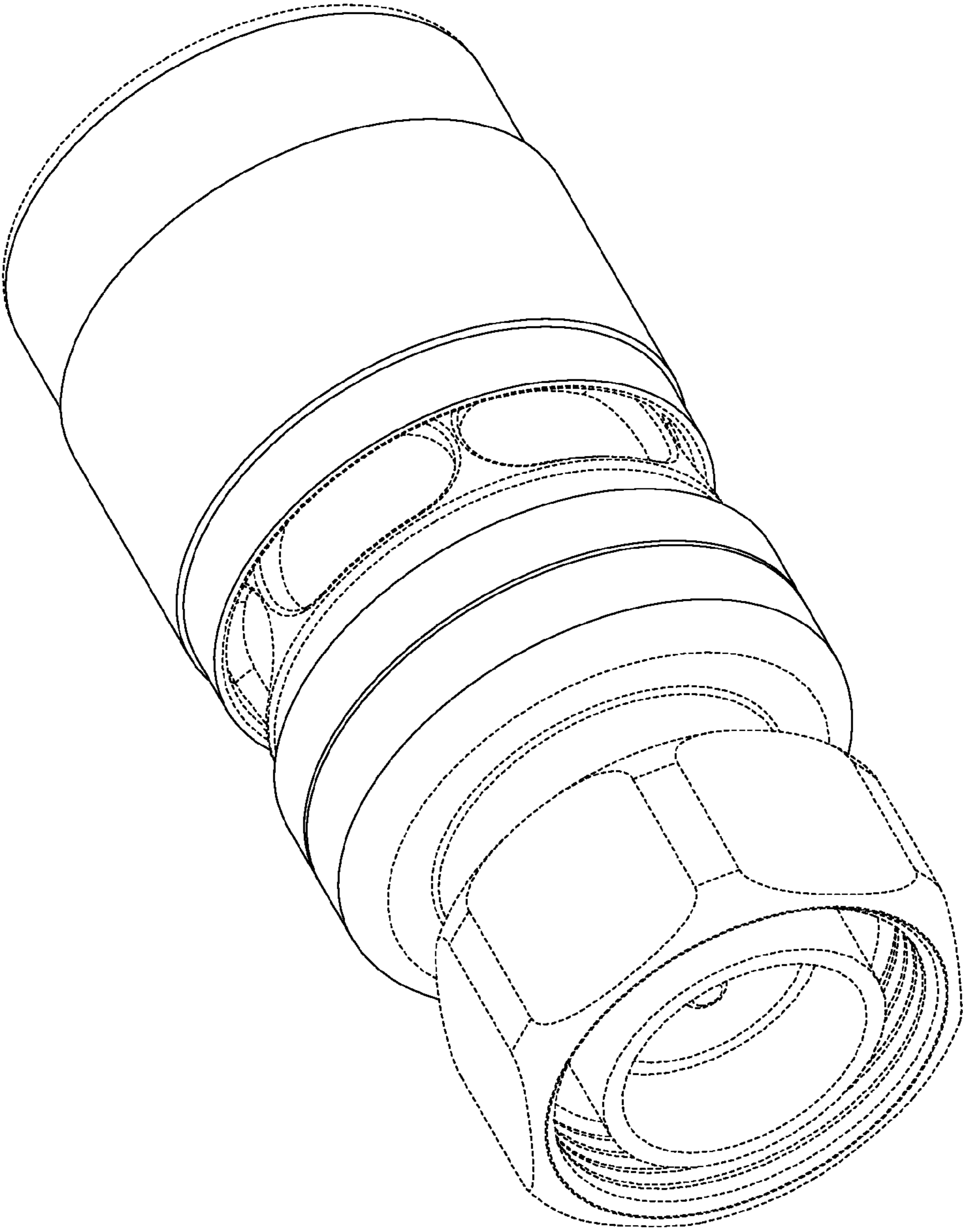


FIG. 1

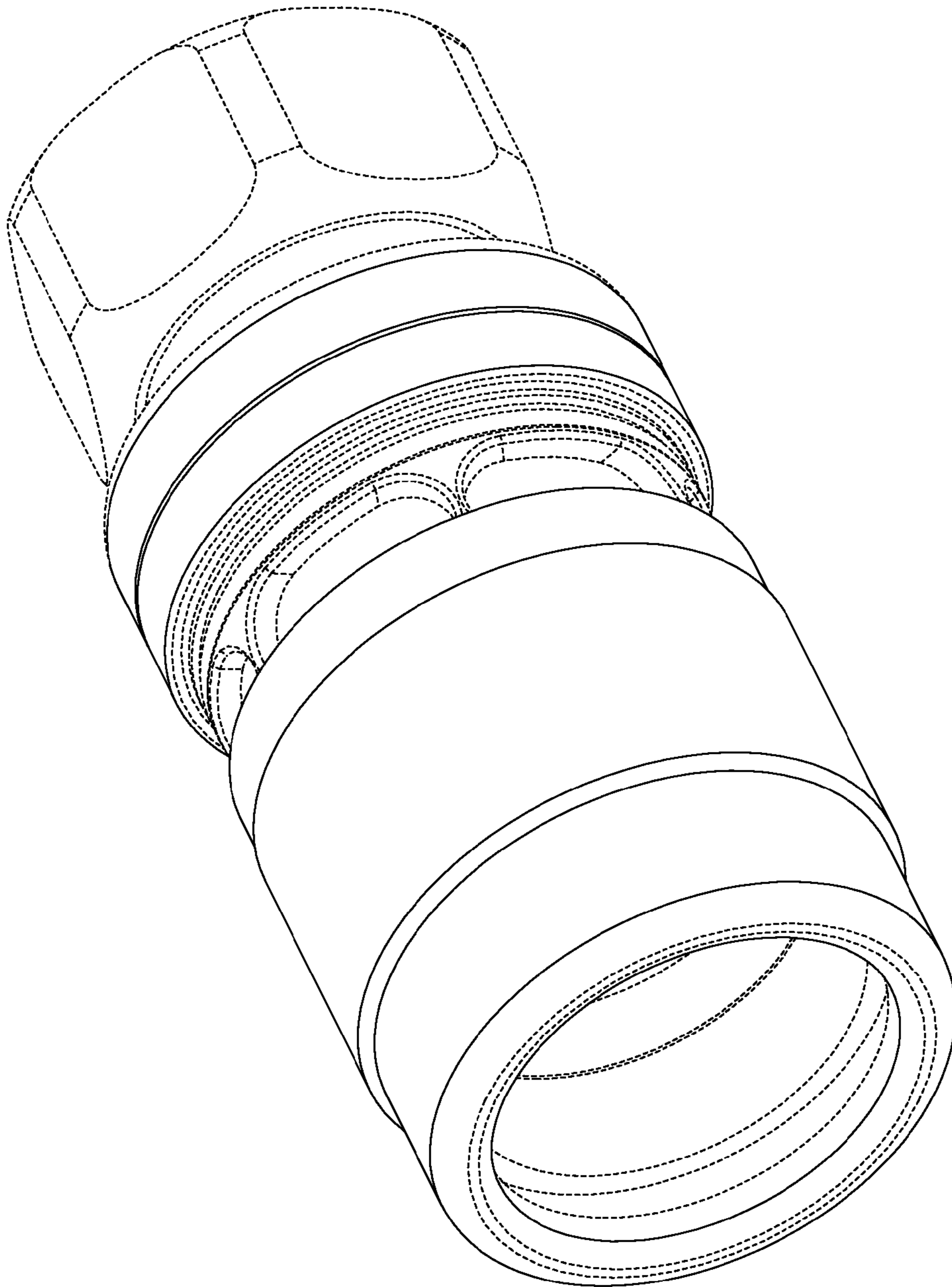


FIG. 2

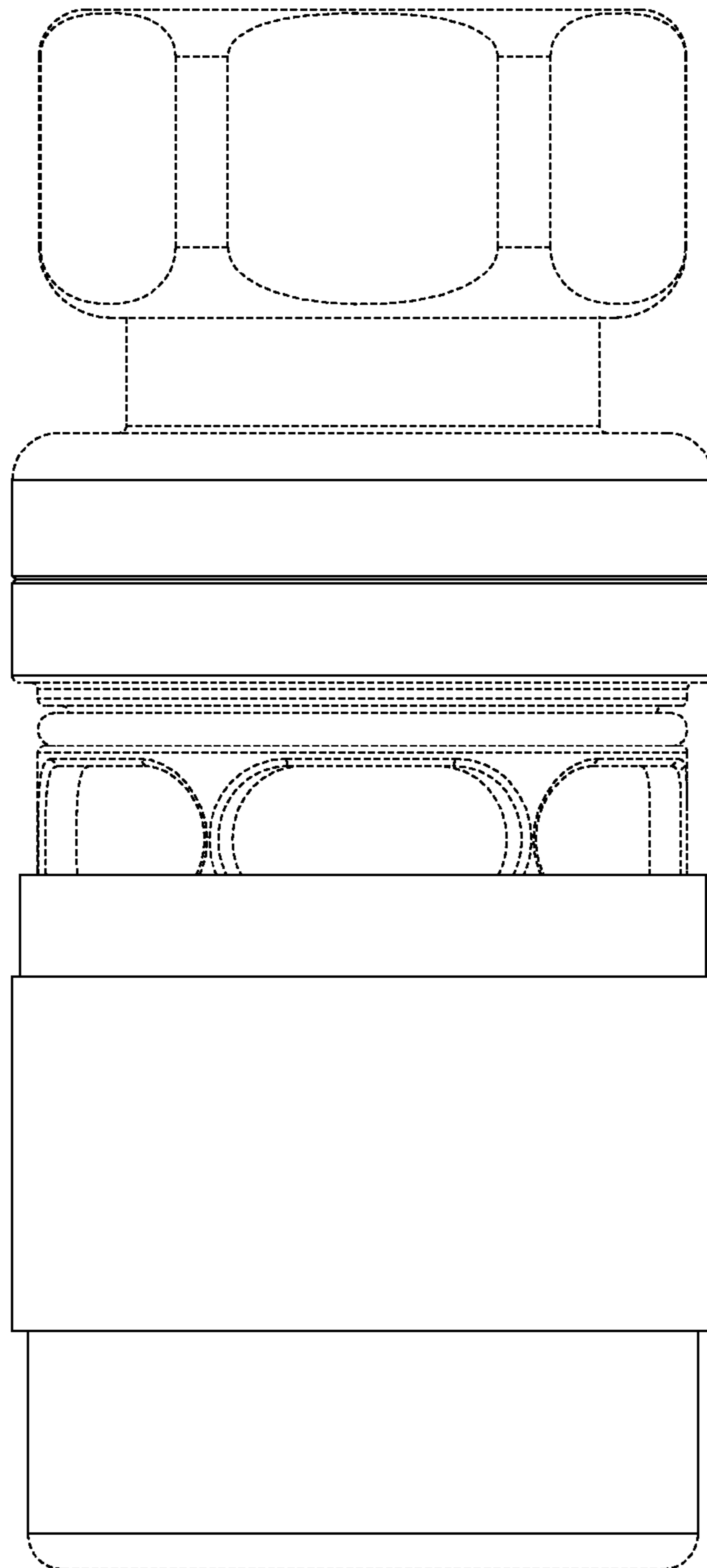


FIG. 3

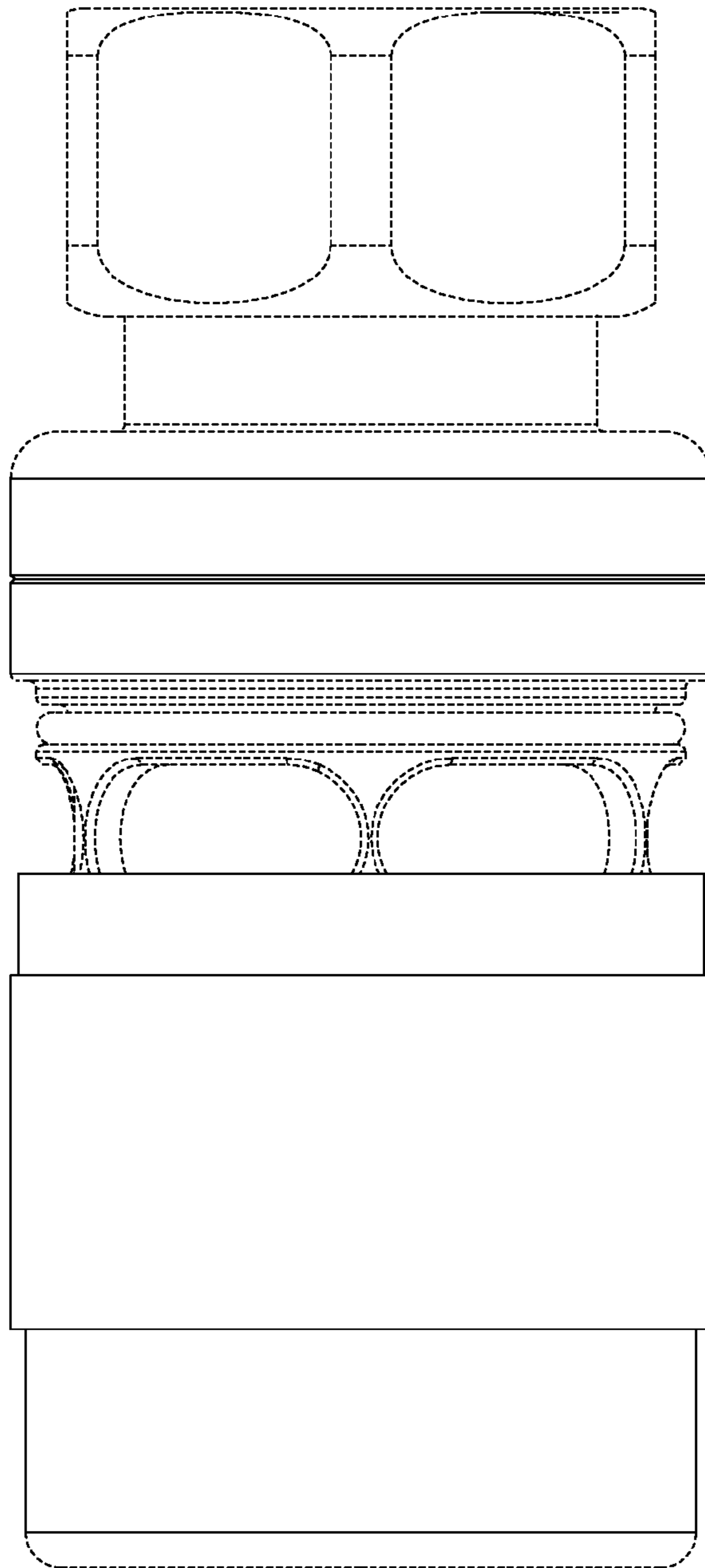


FIG. 4

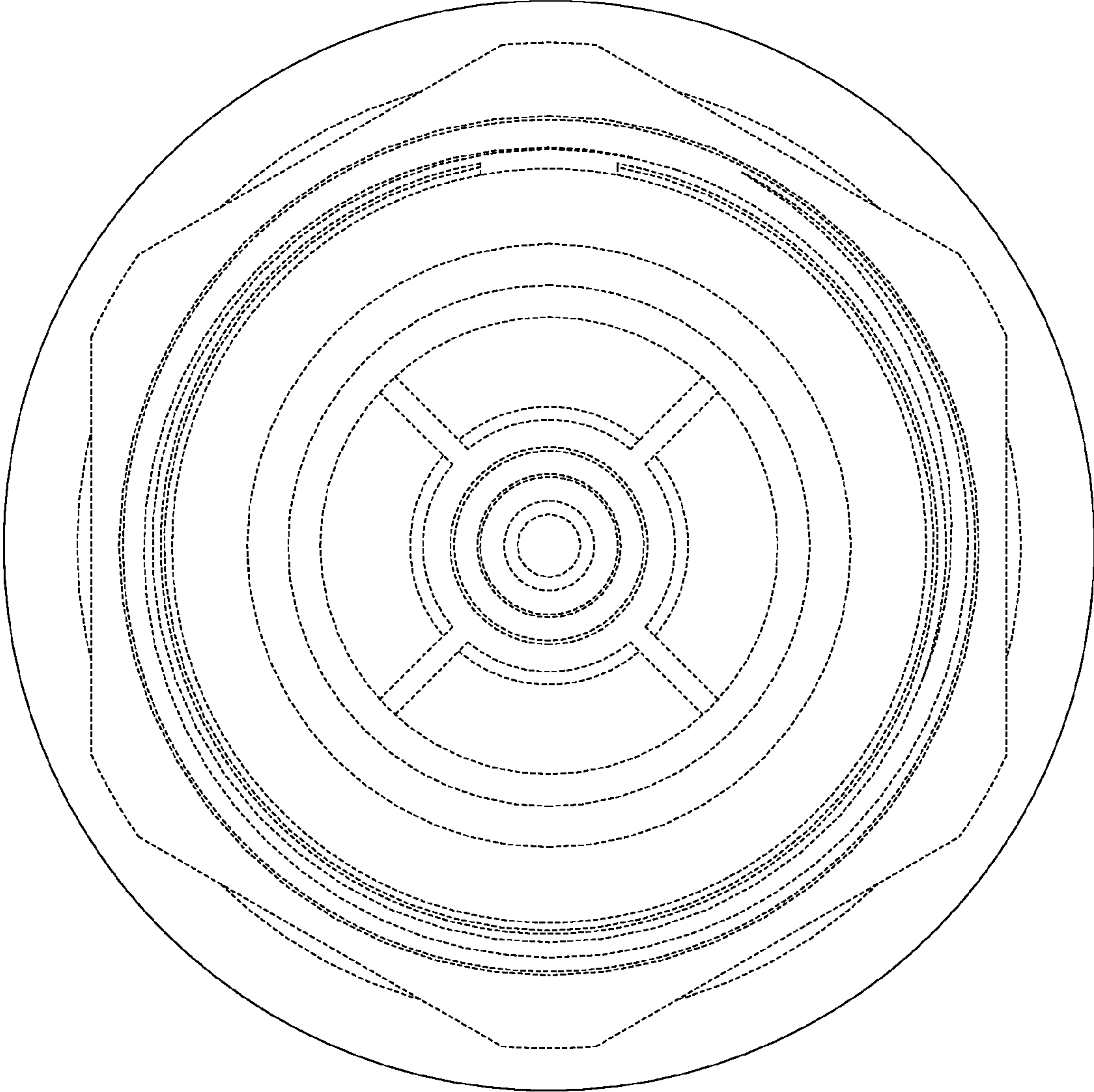


FIG. 5

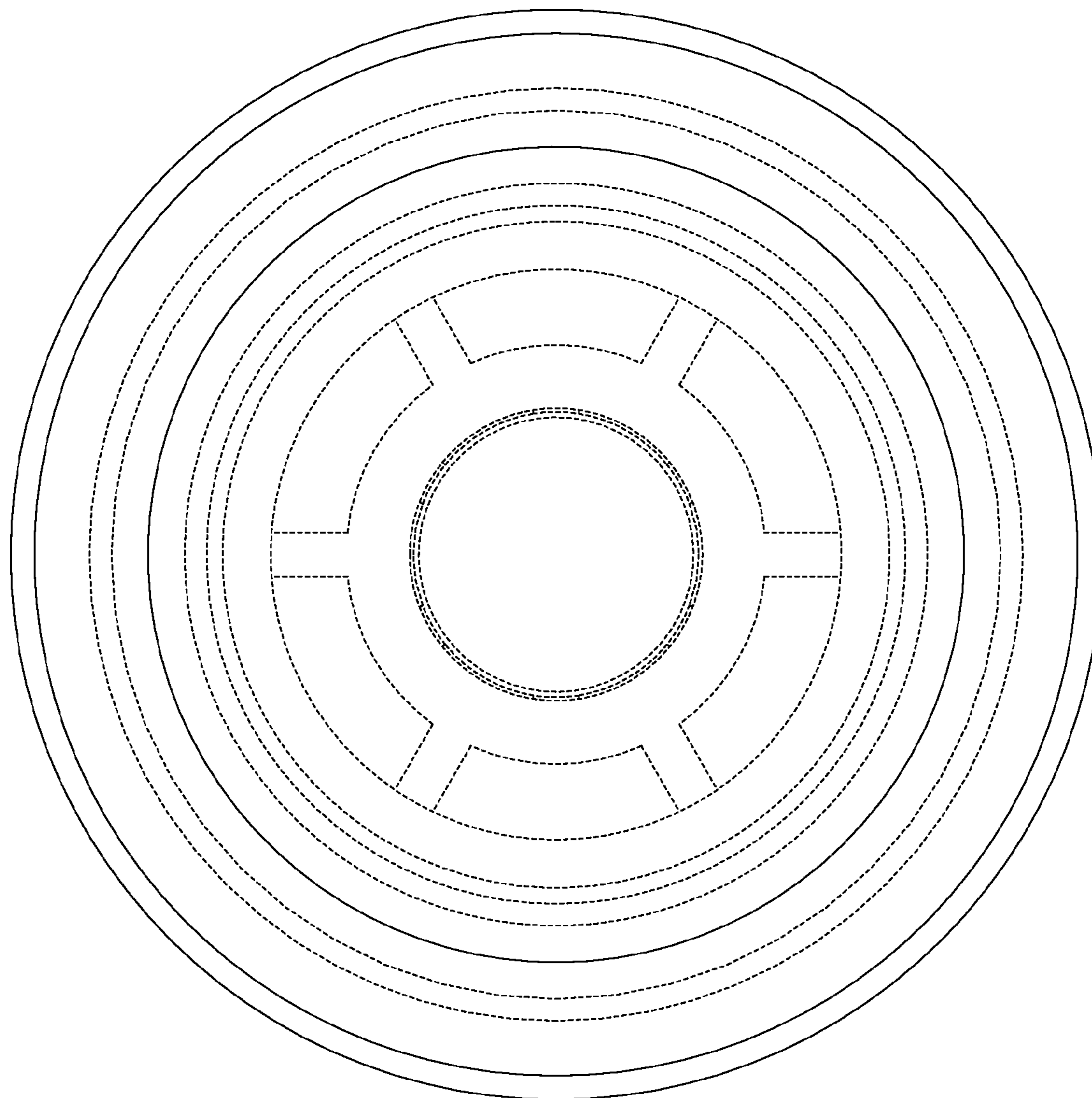


FIG. 6

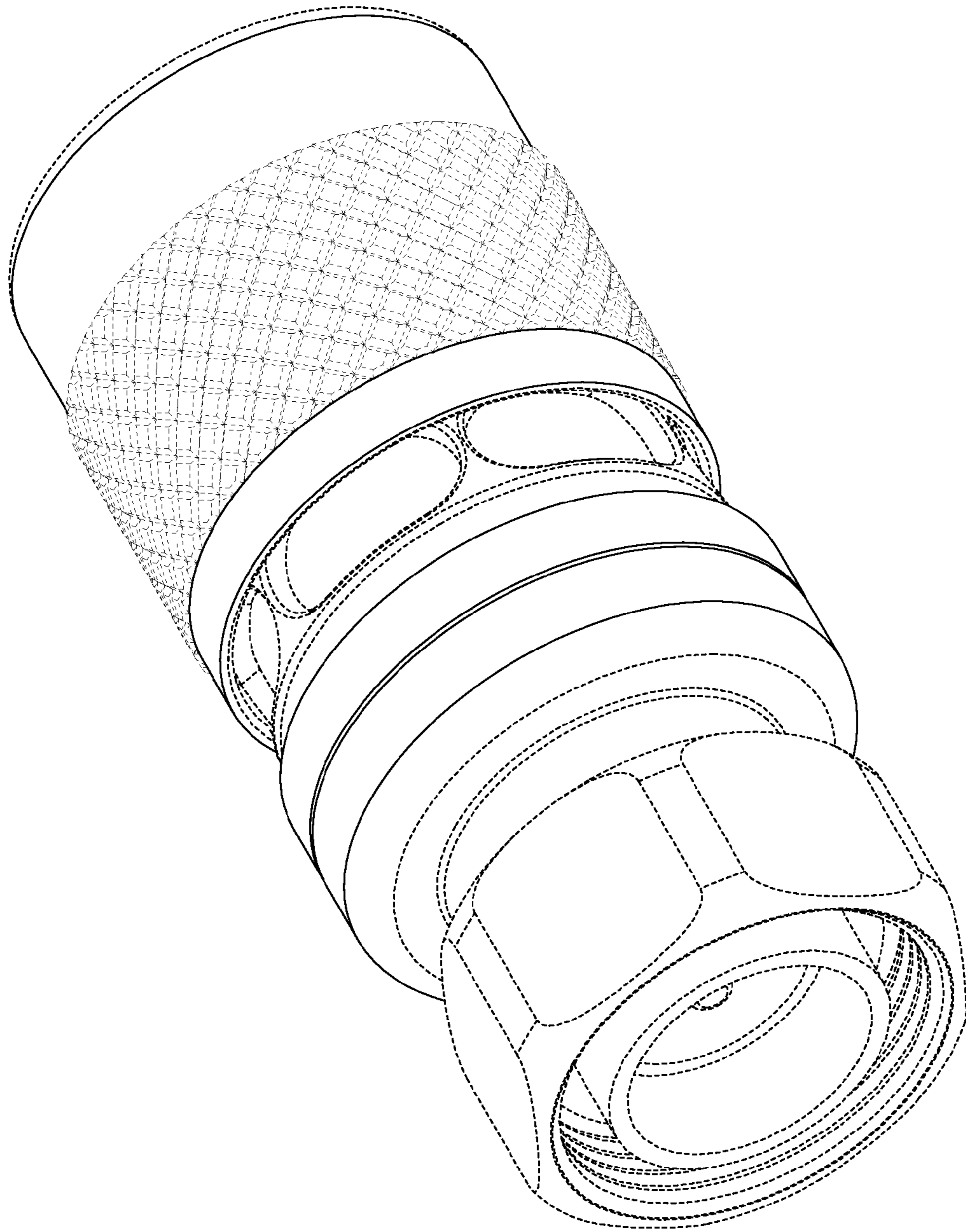


FIG. 7