

US00D661653S

(12) **United States Design Patent**  
**Nakajima et al.**

(10) **Patent No.:** **US D661,653 S**  
(45) **Date of Patent:** **\*\* Jun. 12, 2012**

(54) **ELECTRICAL CONNECTOR**

(75) Inventors: **Takamitsu Nakajima**, Tokyo (JP); **Koji Hayashi**, Tokyo (JP)

(73) Assignee: **Japan Aviation Electronics Industry, Limited**, Tokyo (JP)

(\*\*) Term: **14 Years**

(21) Appl. No.: **29/349,924**

(22) Filed: **May 20, 2010**

(30) **Foreign Application Priority Data**

Dec. 9, 2009 (JP) ..... 2009-028700

(51) **LOC (9) Cl.** ..... **13-03**

(52) **U.S. Cl.** ..... **D13/147**

(58) **Field of Classification Search** ..... D13/147,  
D13/154, 184, 120; D14/432, 433, 436,  
D14/438; 439/64, 79, 159-160, 260, 325,  
439/329, 395, 492, 495, 607.01, 607.04,  
439/607.05, 607.17, 607.25, 607.34, 607.41,  
439/630

See application file for complete search history.

(56) **References Cited**

**U.S. PATENT DOCUMENTS**

D500,985 S *	1/2005	Yamane et al.	.....	D13/147
D501,183 S *	1/2005	Yamane et al.	.....	D13/147
D517,494 S *	3/2006	Ikenaga et al.	.....	D13/147
D526,617 S *	8/2006	Yamane et al.	.....	D13/147
D582,853 S *	12/2008	Peng et al.	.....	D13/147
D600,648 S *	9/2009	Hemmi et al.	.....	D13/147
D630,584 S *	1/2011	Hirayama et al.	.....	D13/147

**FOREIGN PATENT DOCUMENTS**

TW	528405	4/2003
TW	D107167	10/2005
TW	D111008	5/2006

**OTHER PUBLICATIONS**

Taiwanese Office Action dated Sep. 27, 2010 with an English translation of the relevant parts.

\* cited by examiner

*Primary Examiner* — Daniel Bui

(74) *Attorney, Agent, or Firm* — Collard & Roe, P.C.

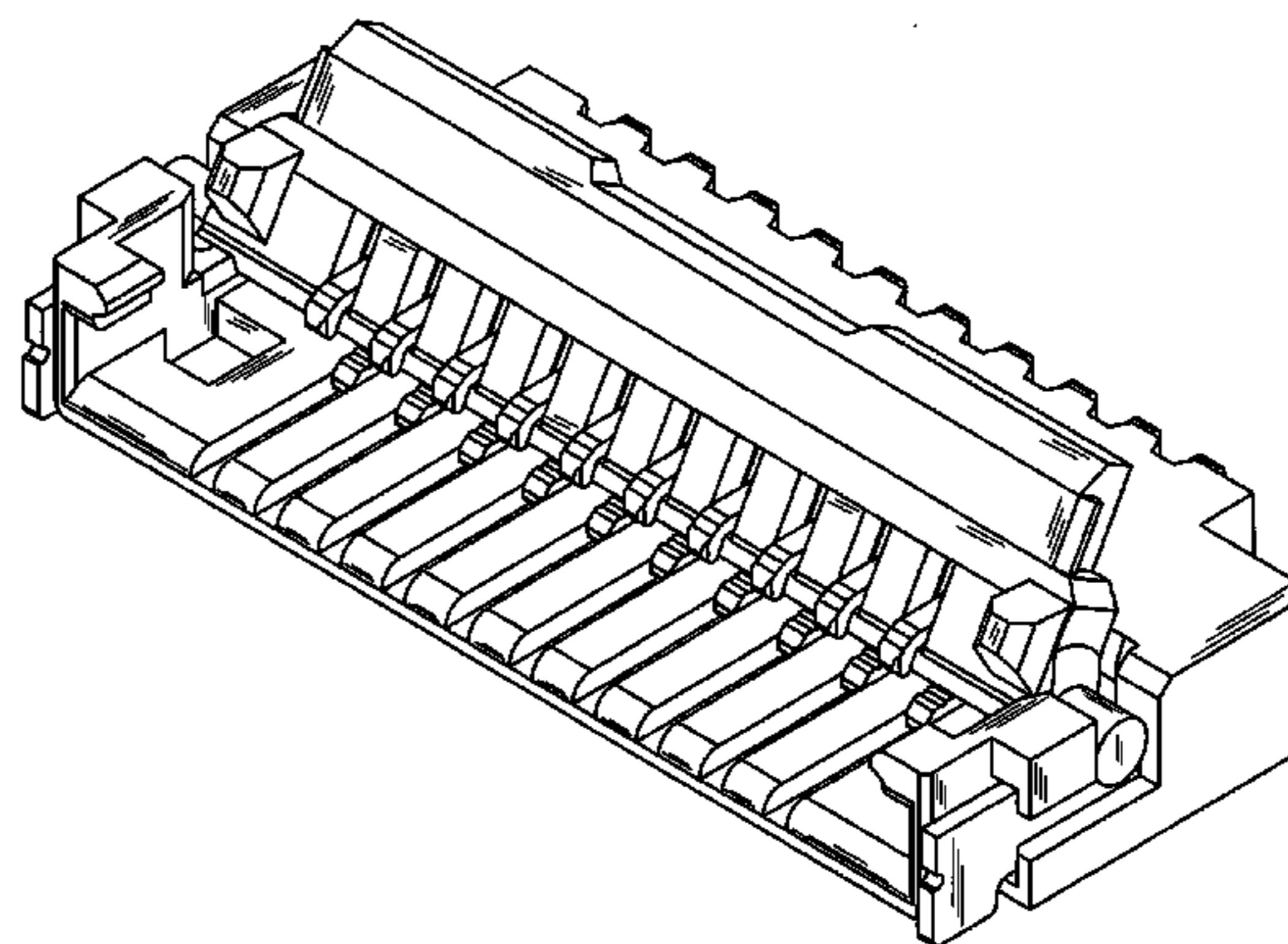
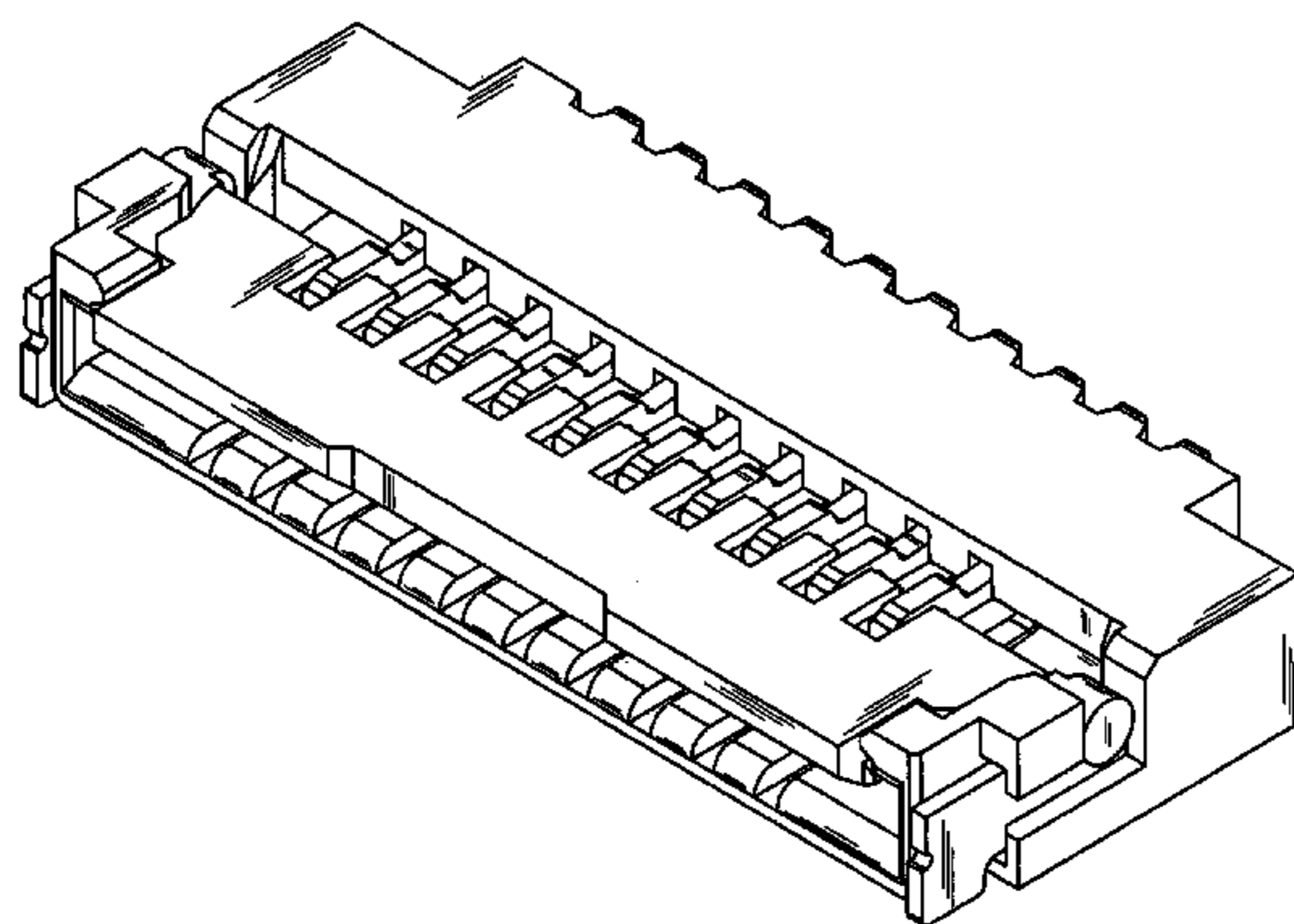
(57) **CLAIM**

The ornamental design for an electrical connector, as shown and described.

**DESCRIPTION**

FIG. 1 is a front elevational view of an electrical connector showing our new design;  
FIG. 2 is a rear elevational view thereof;  
FIG. 3 is a left side elevational view thereof;  
FIG. 4 is a right side elevational view thereof;  
FIG. 5 is a top plan view thereof;  
FIG. 6 is a bottom plan view thereof;  
FIG. 7 is a front, top and right side perspective view thereof;  
FIG. 8 is a rear, right and bottom side perspective view thereof;  
FIG. 9 is another front, top and right side perspective view thereof, with the actuator in the open position; and,  
FIG. 10 is another right side elevational view thereof, with the actuator in the open position.

**1 Claim, 10 Drawing Sheets**



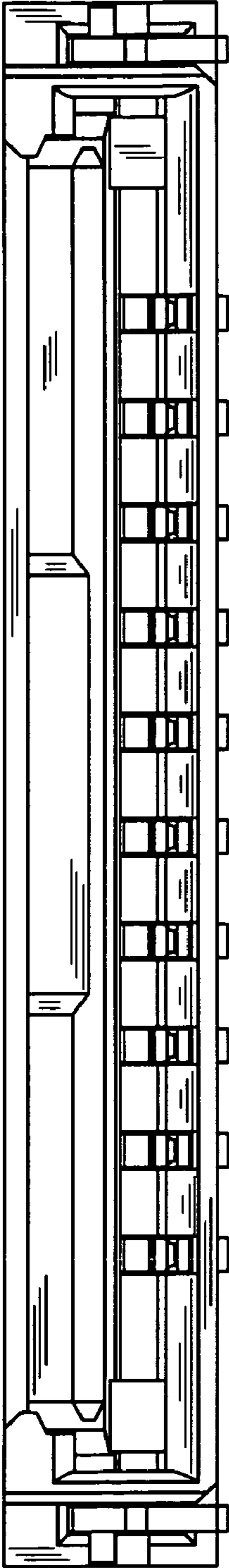


FIG. 1

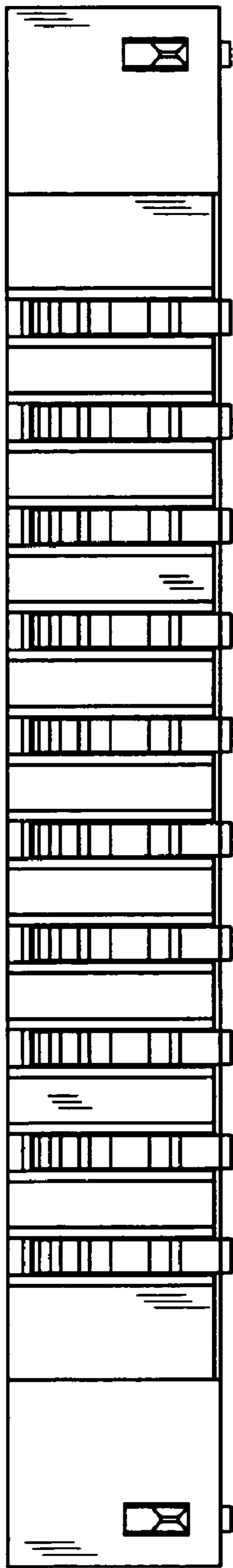


FIG. 2

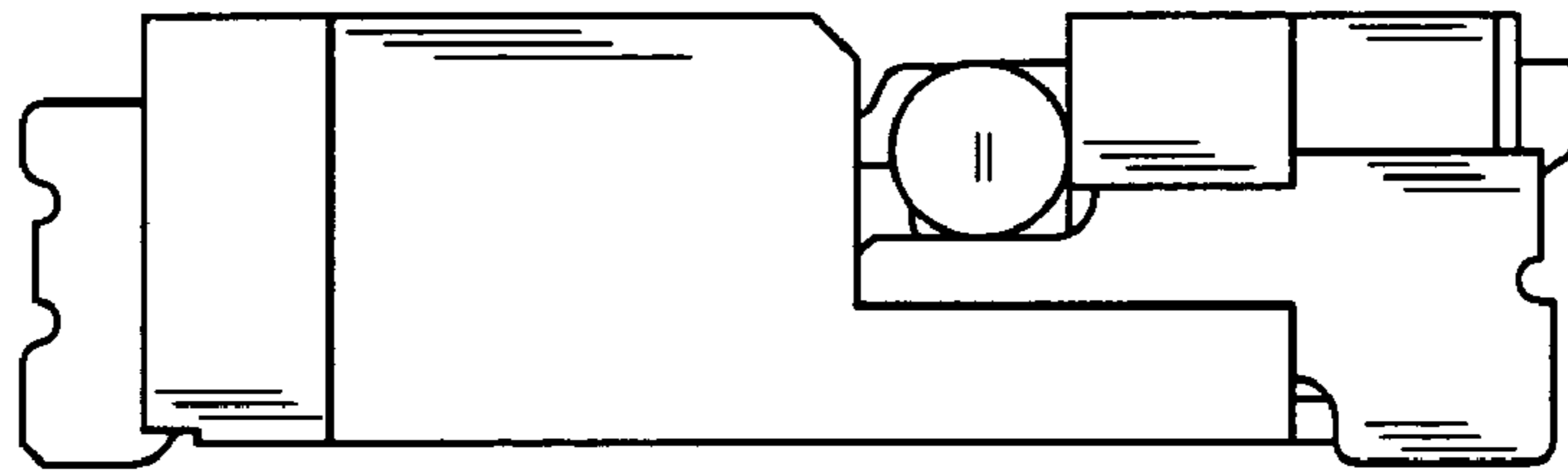


FIG. 3

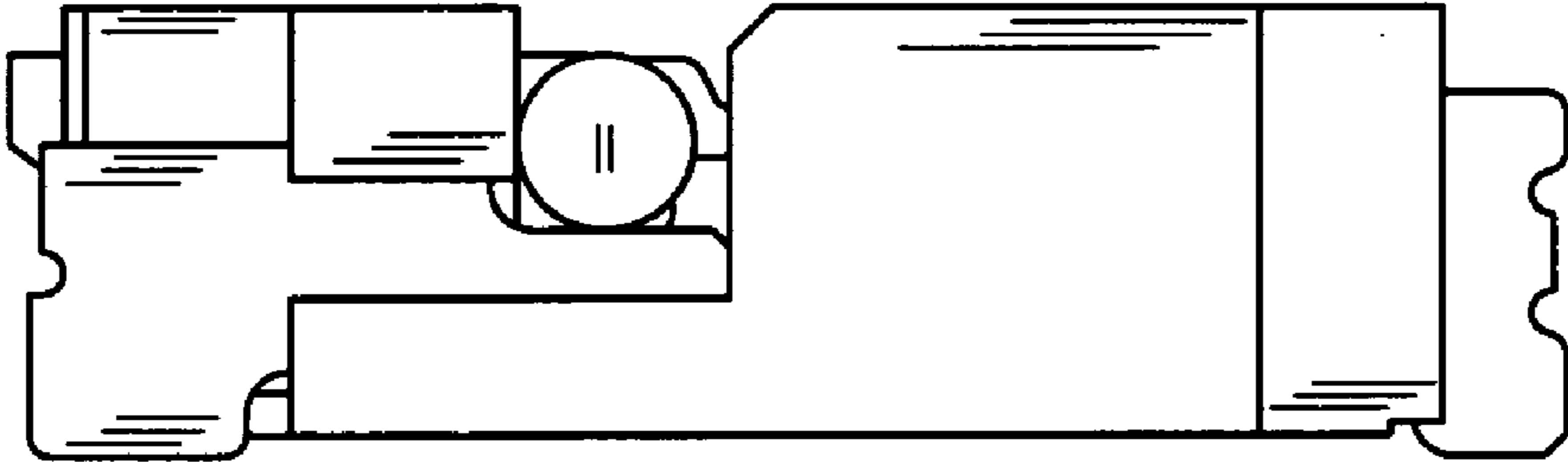


FIG. 4

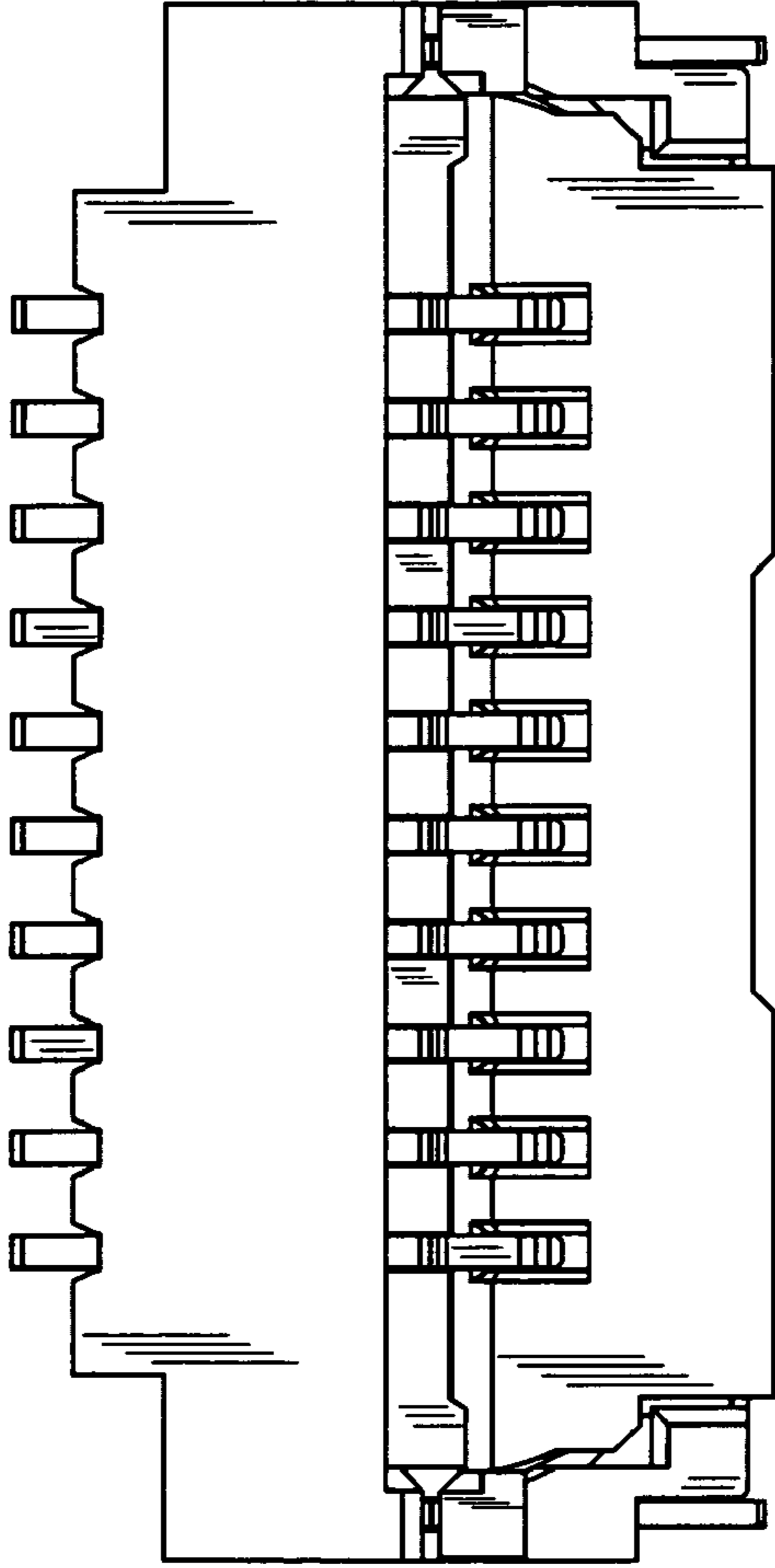


FIG. 5

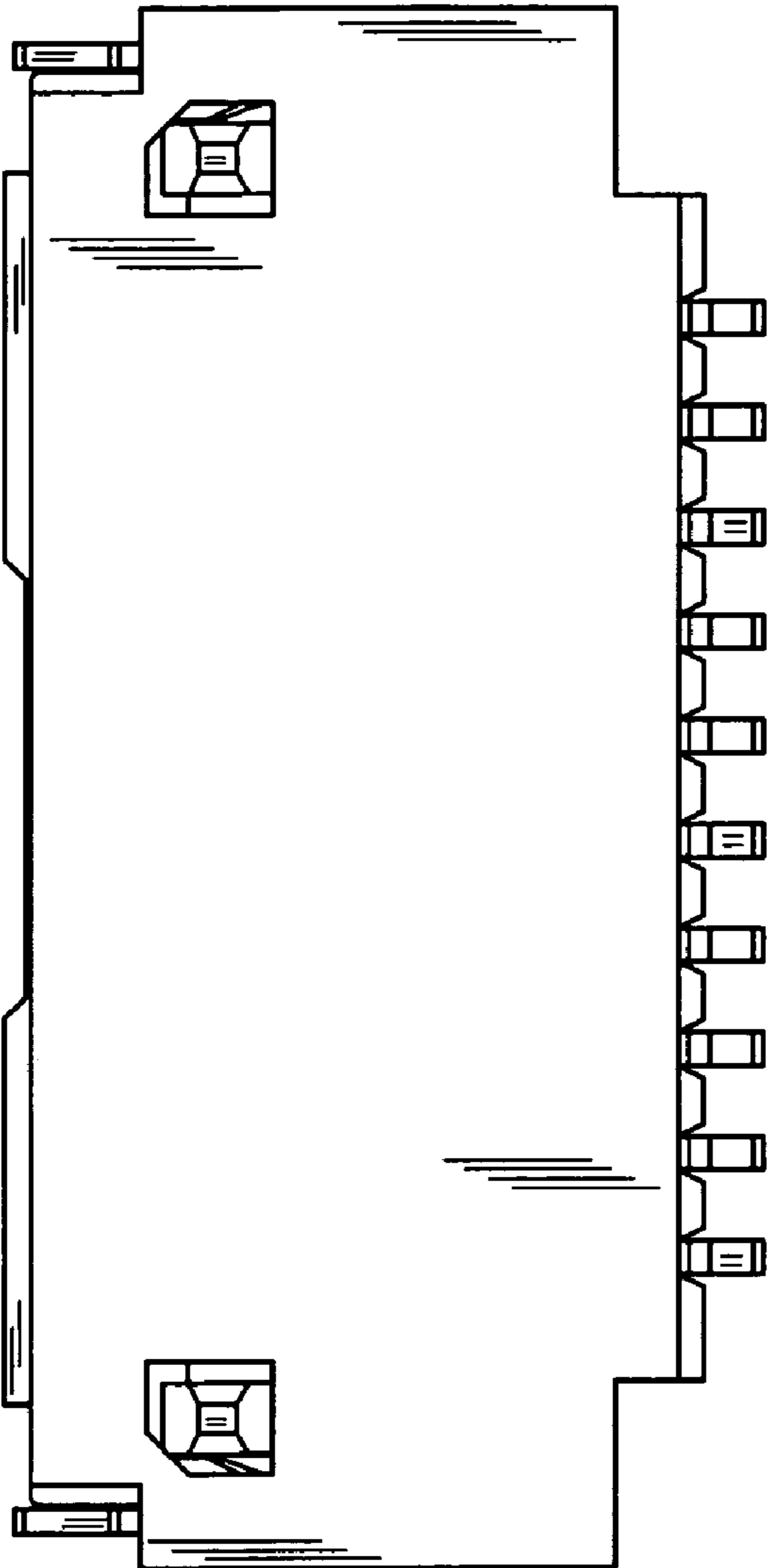


FIG. 6

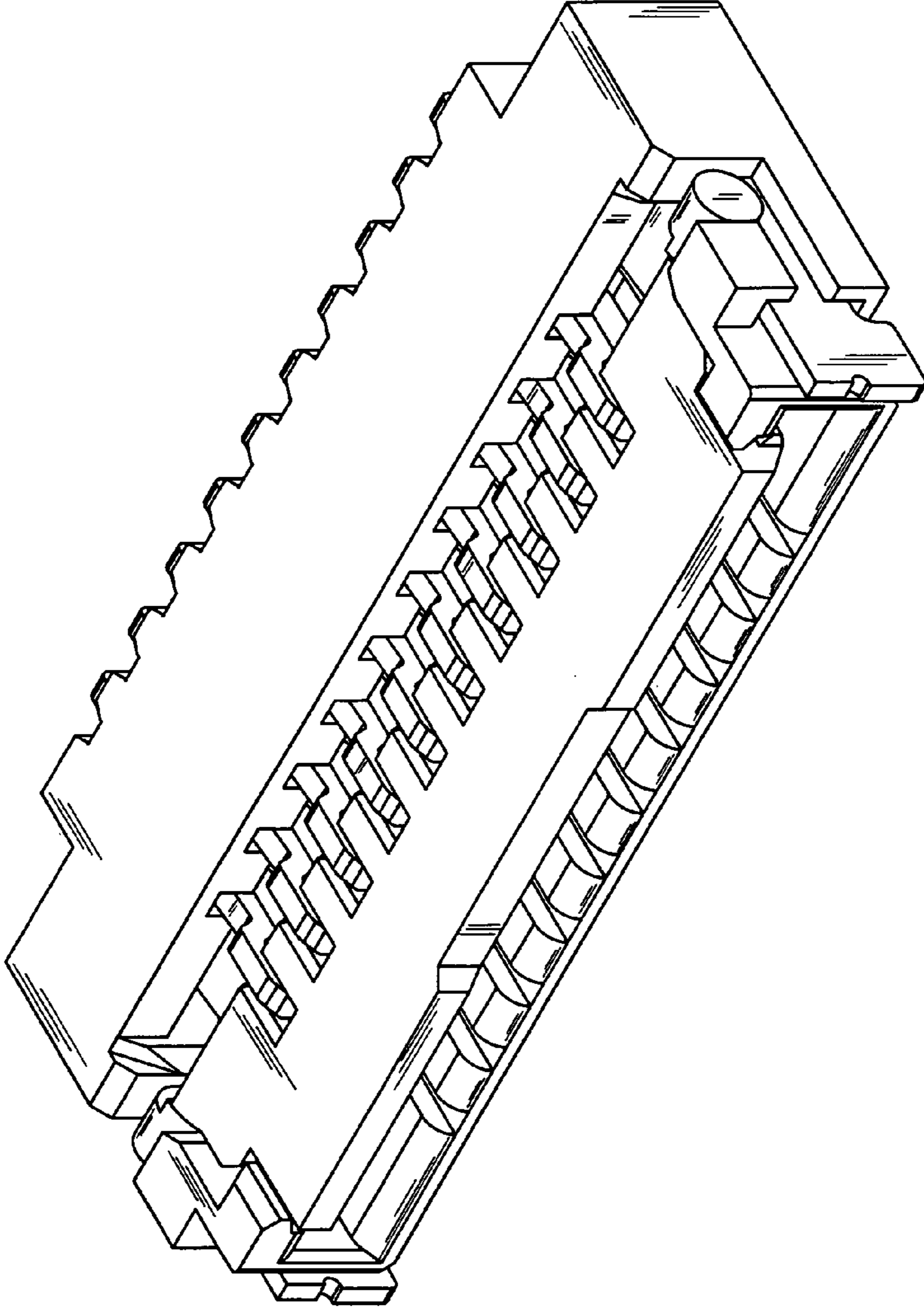


FIG. 7



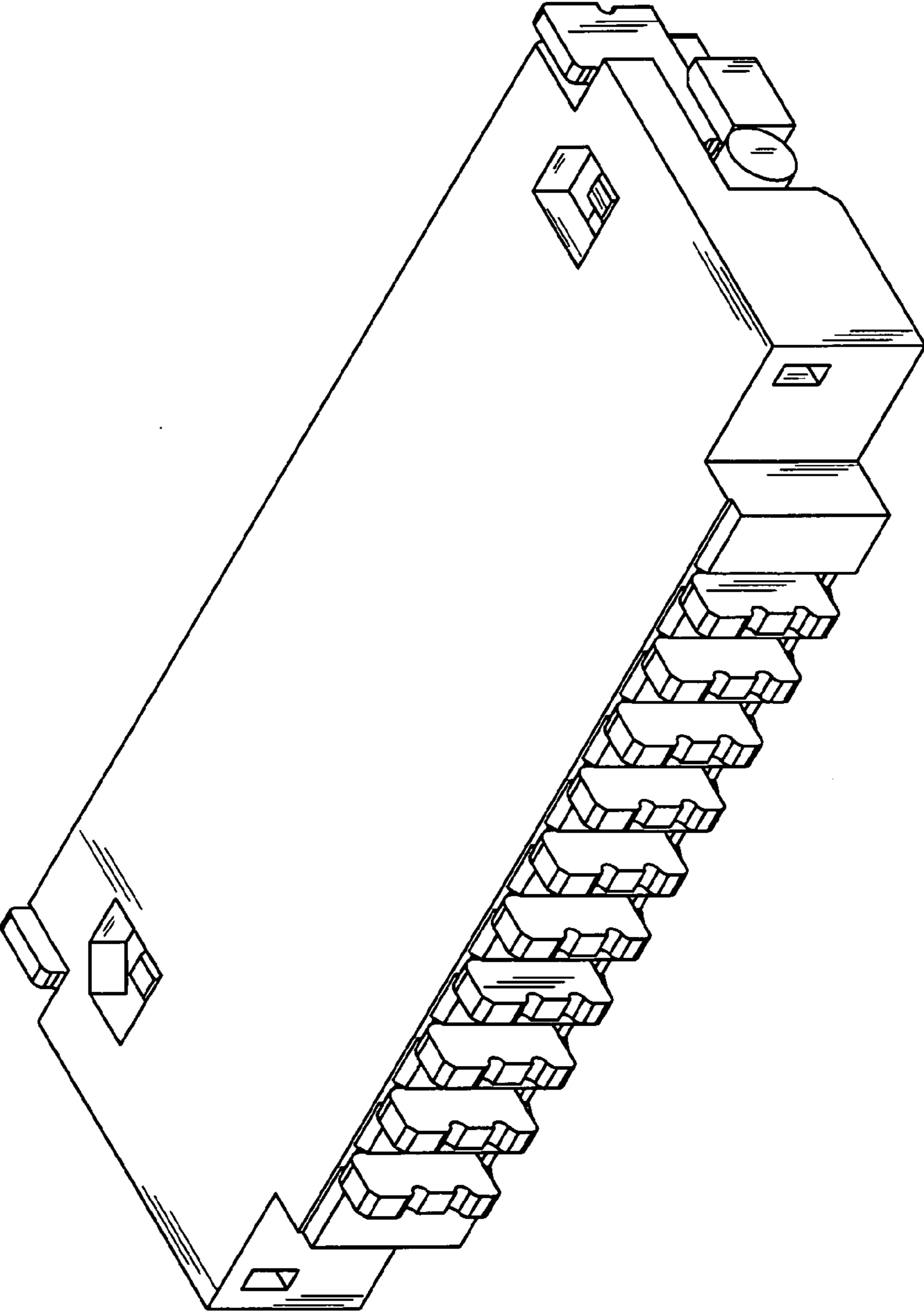


FIG. 8

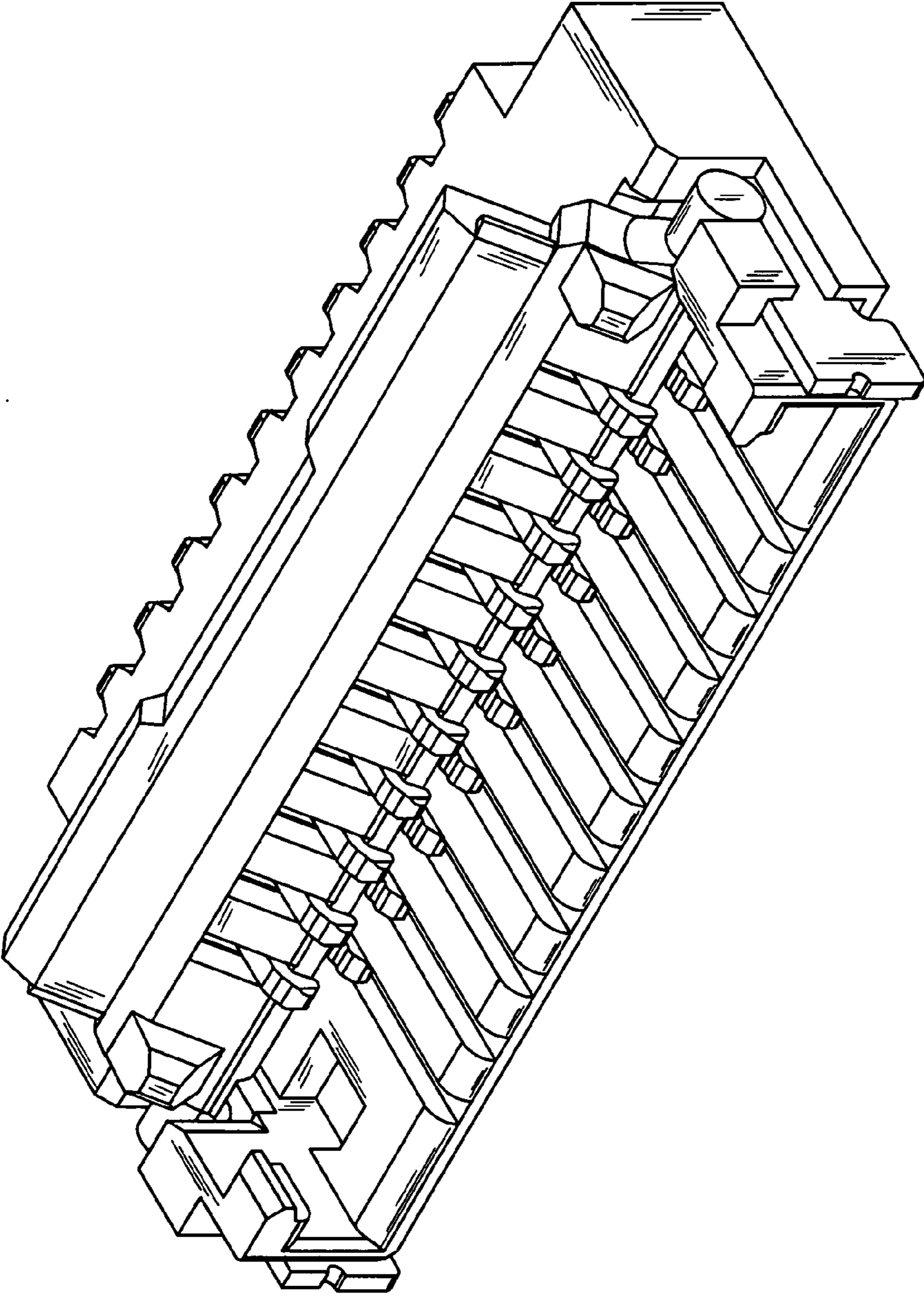


FIG. 9

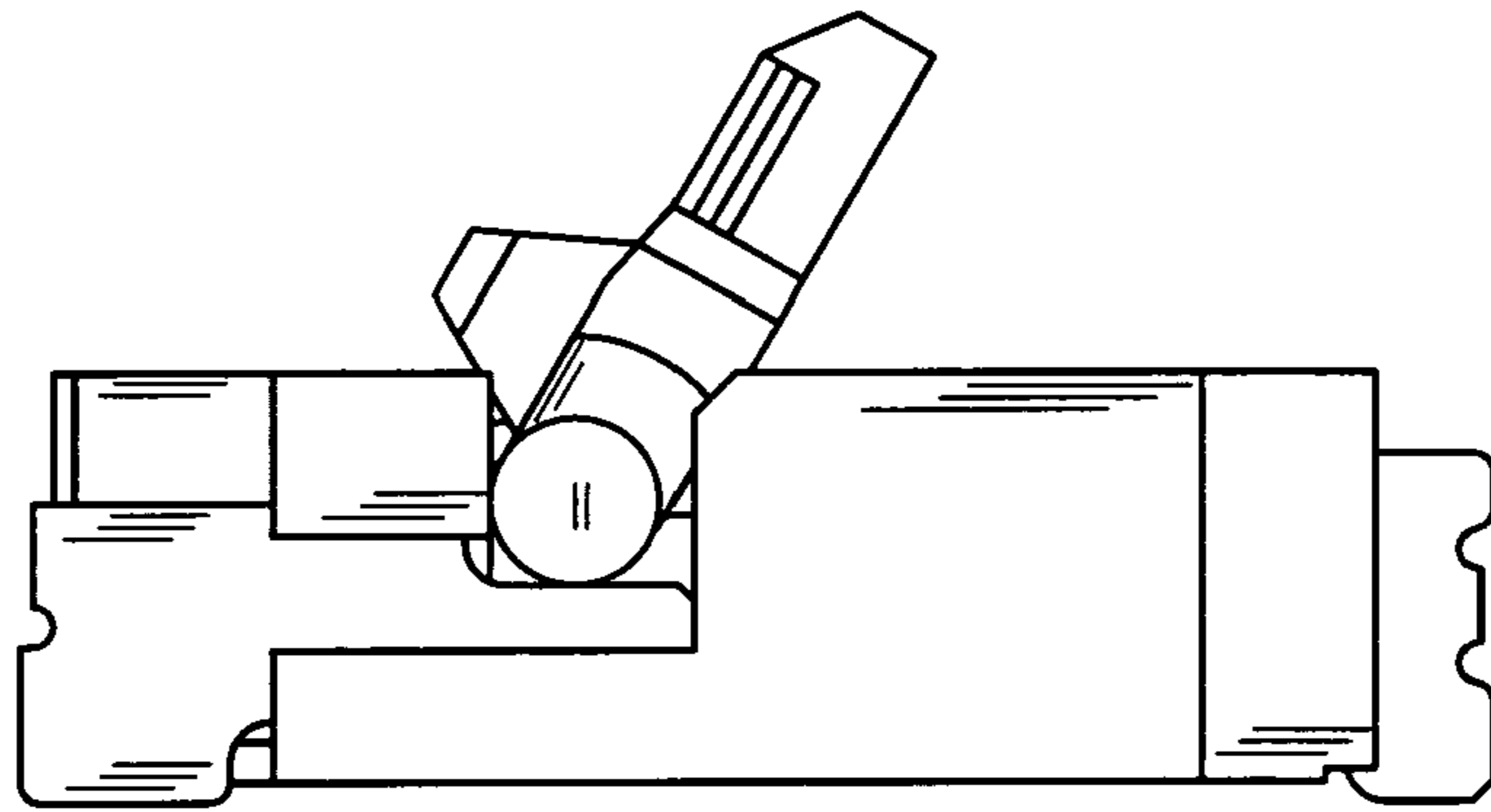


FIG. 10