



US00D661652S

(12) **United States Design Patent**
Xie et al.

(10) **Patent No.:** **US D661,652 S**
(45) **Date of Patent:** **** Jun. 12, 2012**

(54) **RECEPTACLE CONNECTOR**

(75) Inventors: **Bao-Geng Xie**, Guang Dong (CN);
Wei-Hong Liao, Guang-Dong (CN);
Ming-Chiang Chen, New Taipei (TW)

(73) Assignee: **Cheng Uei Precision Industry Co., Ltd.**, New Taipei (TW)

(**) Term: **14 Years**

(21) Appl. No.: **29/400,880**

(22) Filed: **Sep. 1, 2011**

(51) **LOC (9) Cl.** **13-03**

(52) **U.S. Cl.** **D13/146; D13/133**

(58) **Field of Classification Search** D13/120,
D13/133, 146, 147, 154, 184, 199; 439/180,
439/246, 278, 357, 358, 374, 527, 529, 533,
439/607.01, 607.22, 607.23, 607.31, 607.32,
439/607.33, 607.34, 607.53, 680, 892, 894

See application file for complete search history.

(56) **References Cited**

U.S. PATENT DOCUMENTS

D196,111 S * 8/1963 Krehbiel D13/147
D479,199 S * 9/2003 Jones et al. D13/147
D484,461 S * 12/2003 Piovesan D13/146
D529,444 S * 10/2006 Kudo D13/147

D589,449 S * 3/2009 Chiang et al. D13/147
D589,893 S * 4/2009 Gao et al. D13/147
D627,737 S * 11/2010 Qu et al. D13/147
7,878,848 B1 * 2/2011 Yang et al. 439/567
7,955,095 B1 * 6/2011 Yang 439/83
8,092,236 B2 * 1/2012 Yang et al. 439/83

* cited by examiner

Primary Examiner — Daniel Bui

(74) *Attorney, Agent, or Firm* — Cheng-Ju Chiang

(57) **CLAIM**

The ornamental design for a receptacle connector, as shown and described.

DESCRIPTION

FIG. 1 is a perspective view of a receptacle connector showing our new design;

FIG. 2 is a front elevational view thereof;

FIG. 3 is a rear elevational view thereof;

FIG. 4 is a left side elevational view thereof;

FIG. 5 is a right side elevational view thereof;

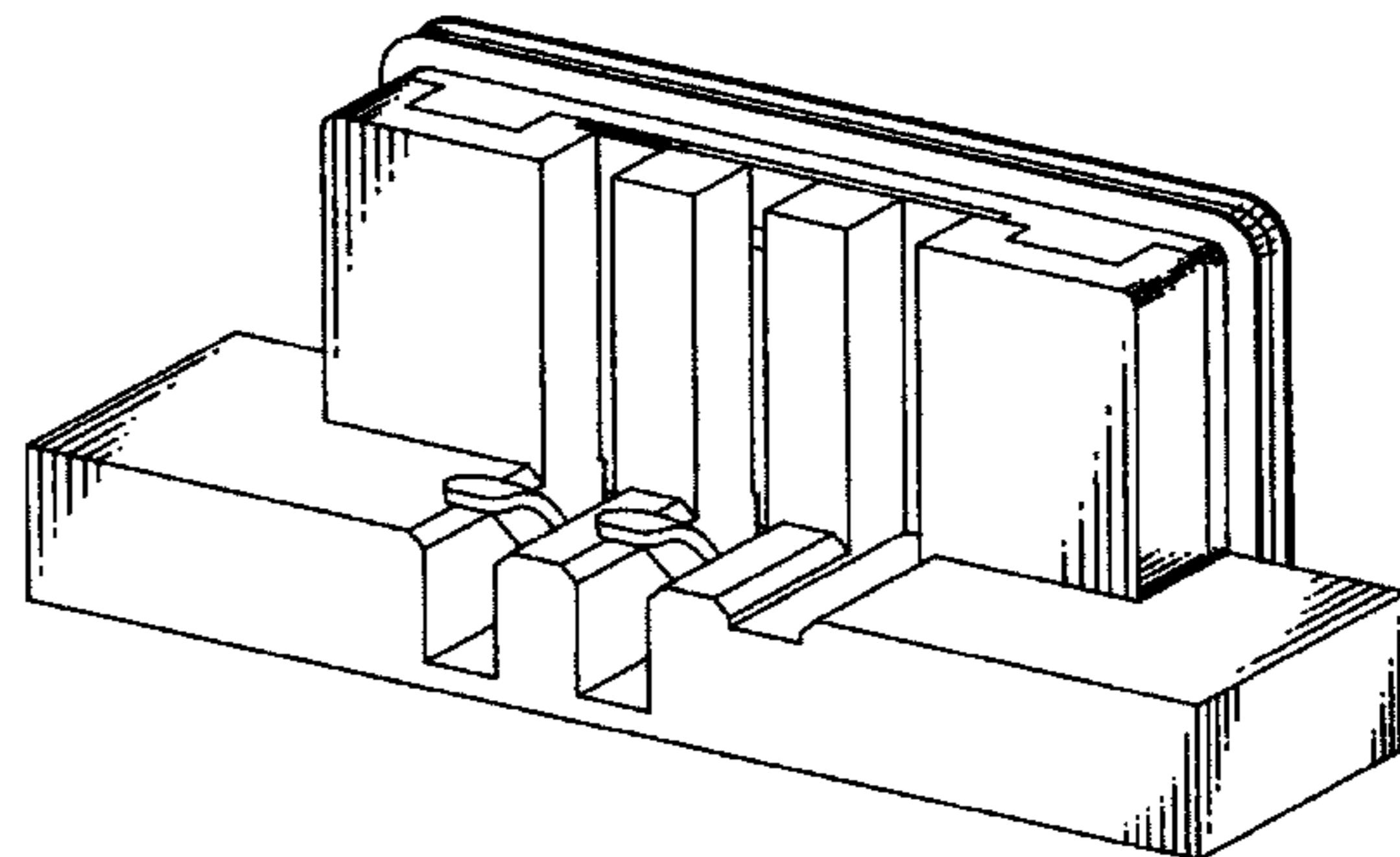
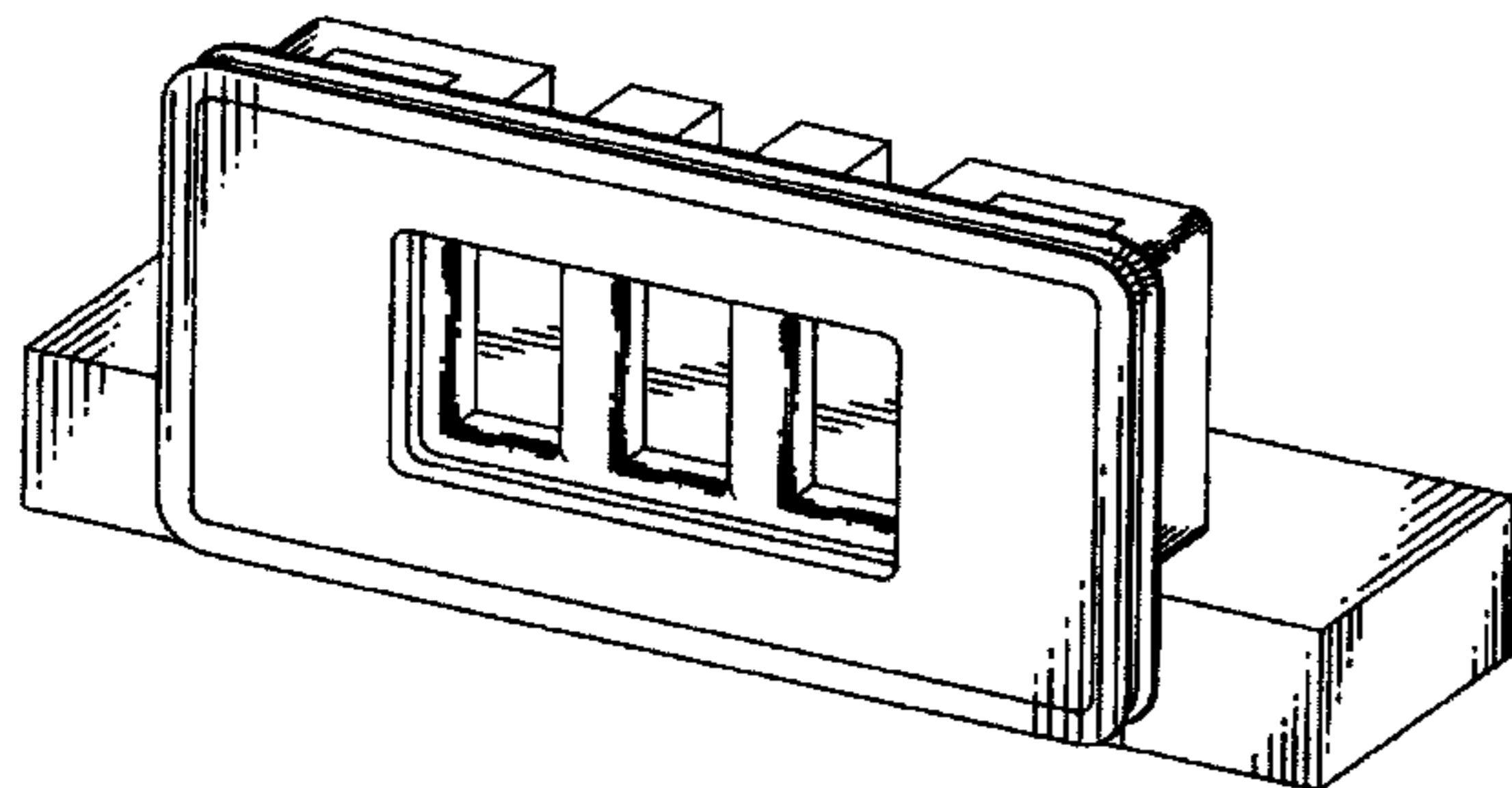
FIG. 6 is a top plan view thereof;

FIG. 7 is a bottom plan view thereof;

FIG. 8 is another perspective view of the receptacle connector showing our new design; and,

FIG. 9 is a third perspective view of the receptacle connector showing our new design.

1 Claim, 9 Drawing Sheets



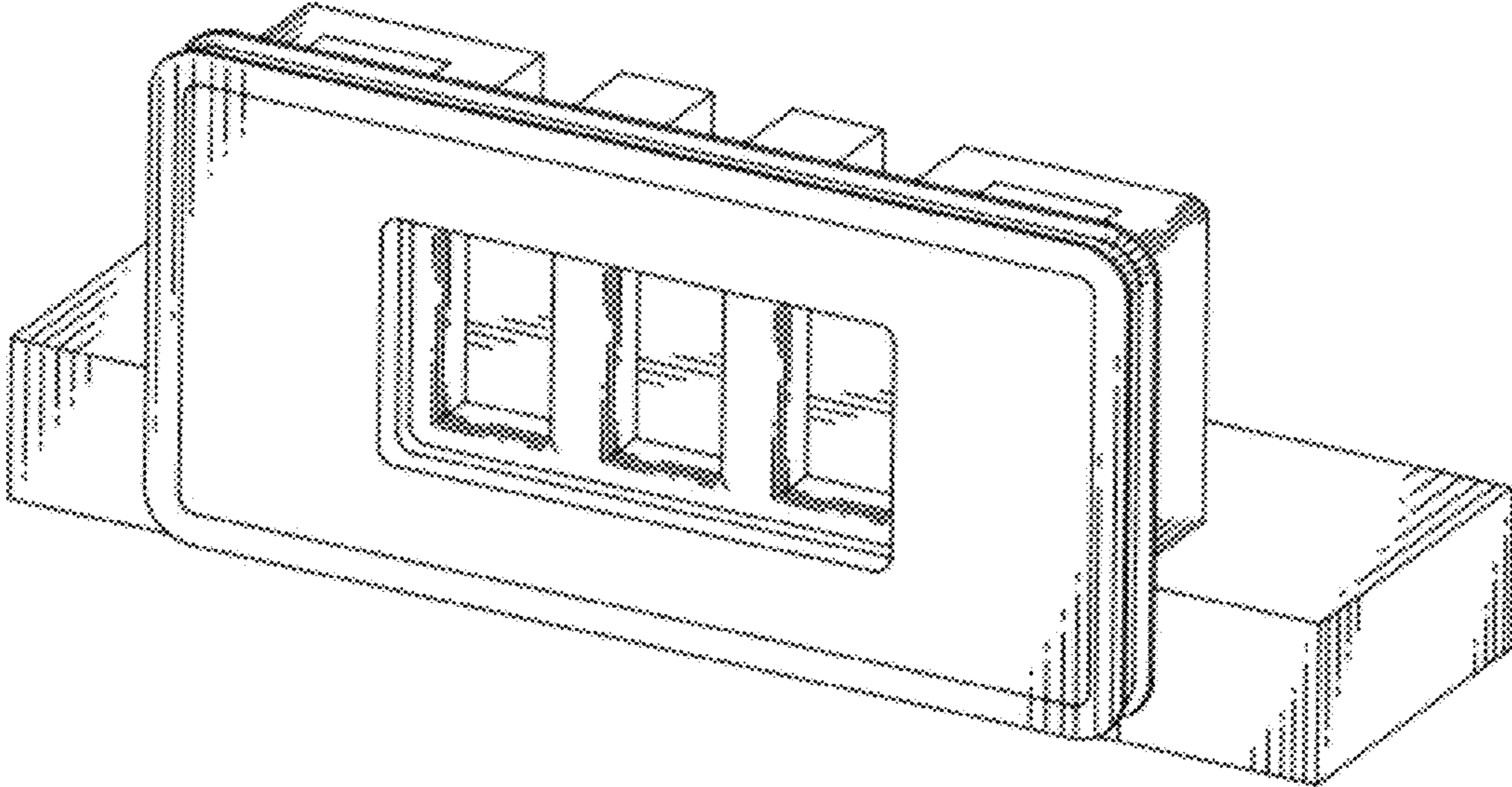


FIG. 1

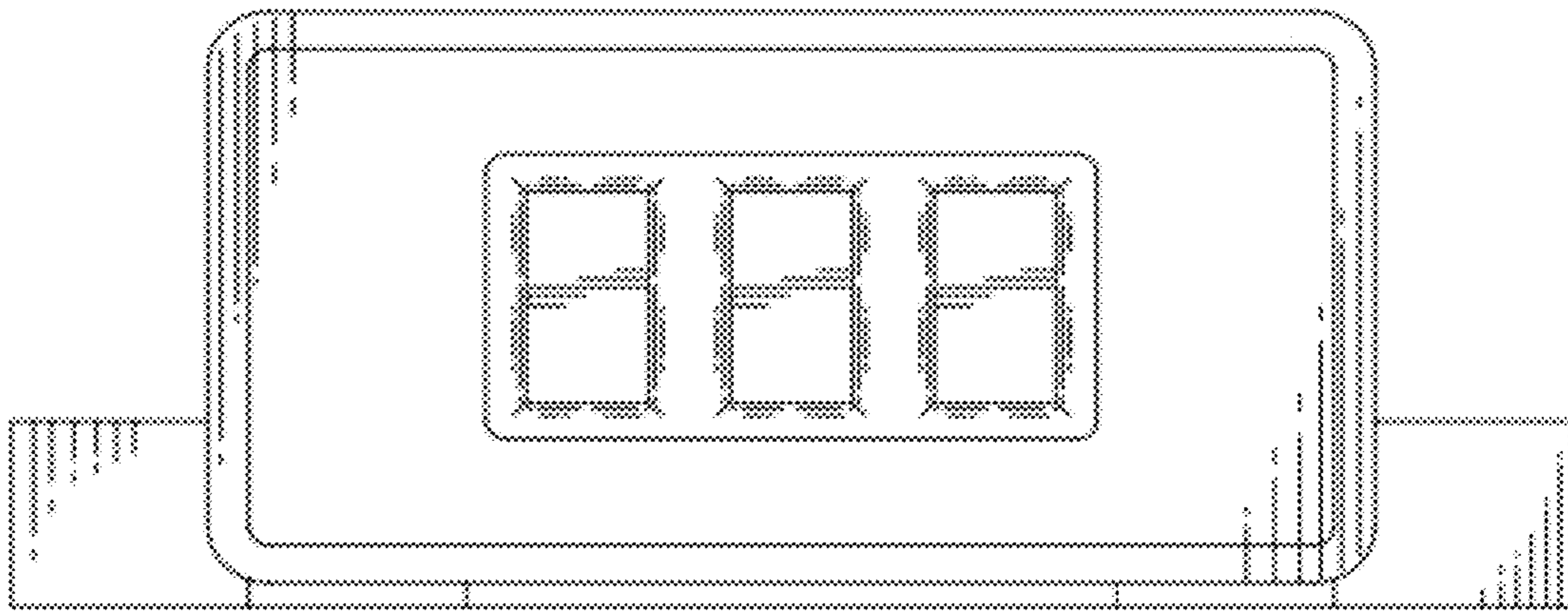


FIG. 2

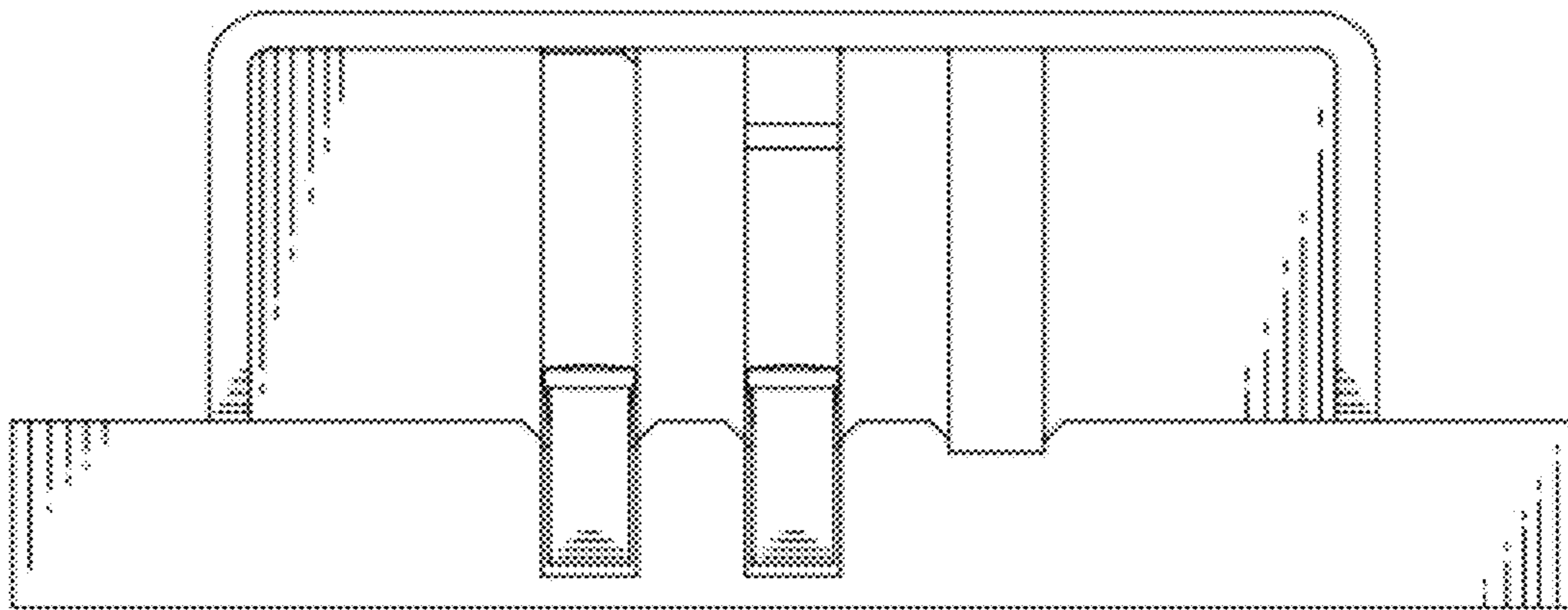


FIG. 3

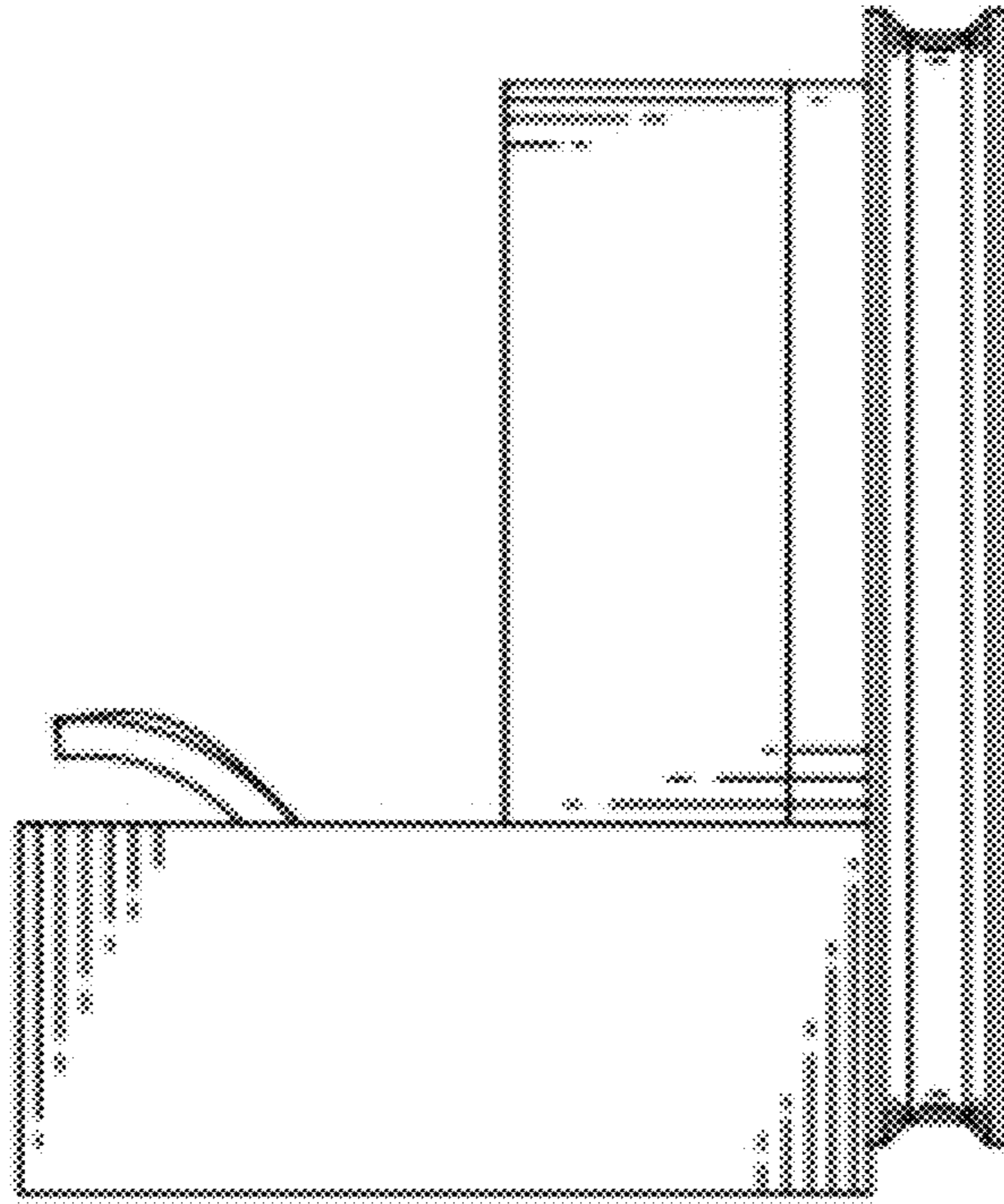


FIG. 4

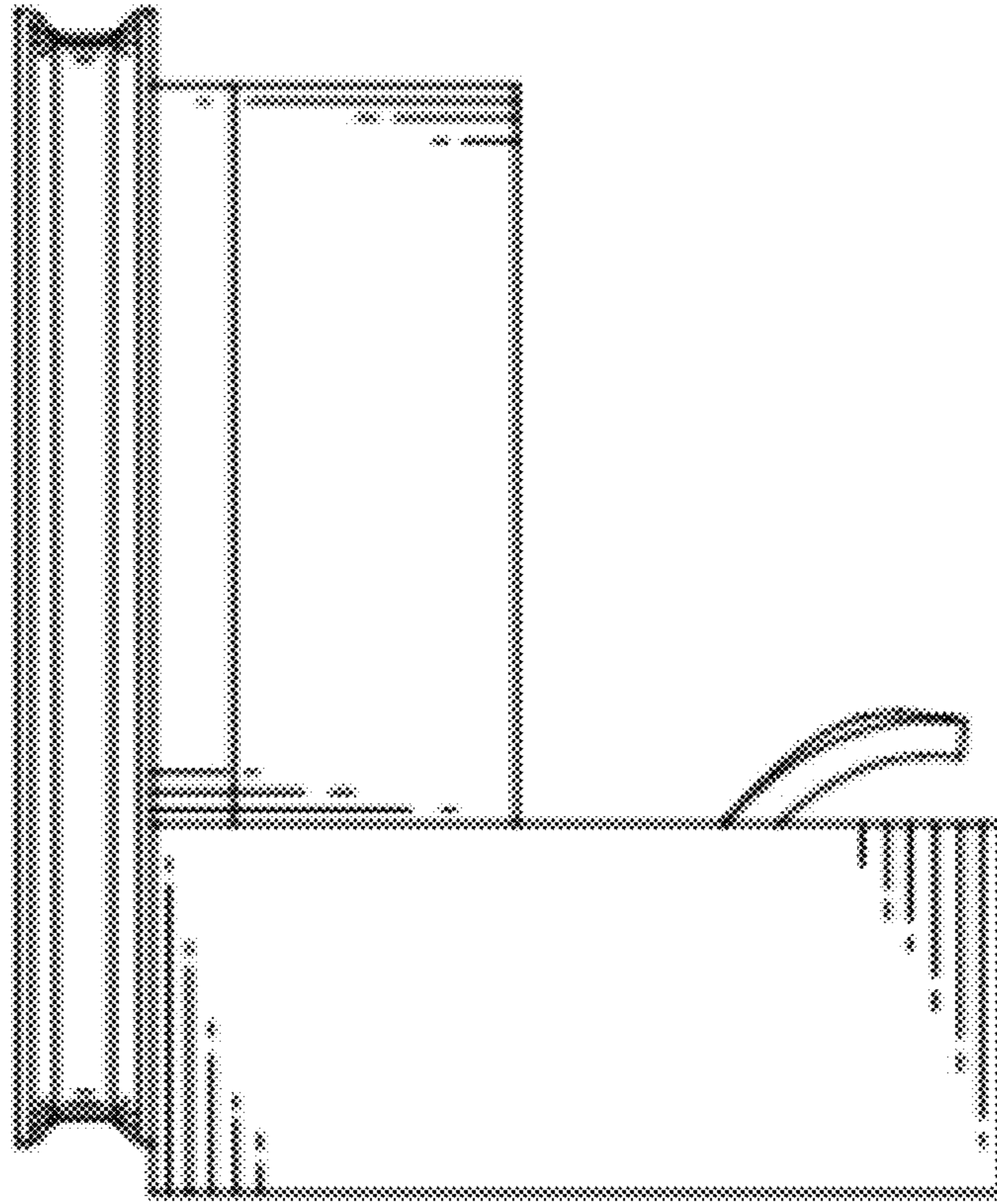


FIG. 5

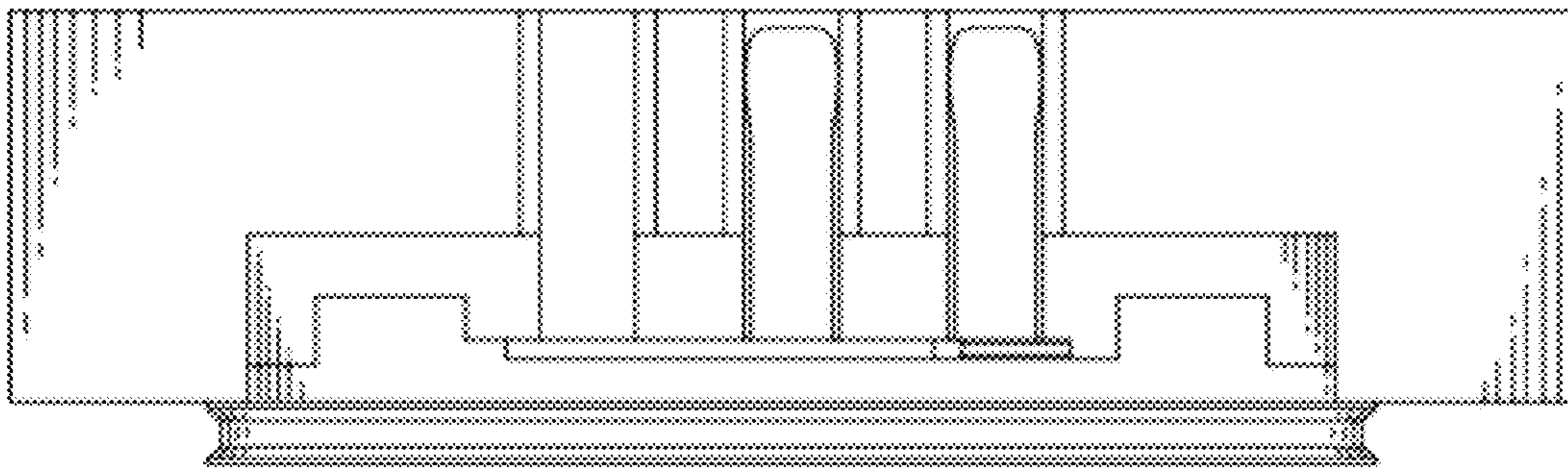


FIG. 6

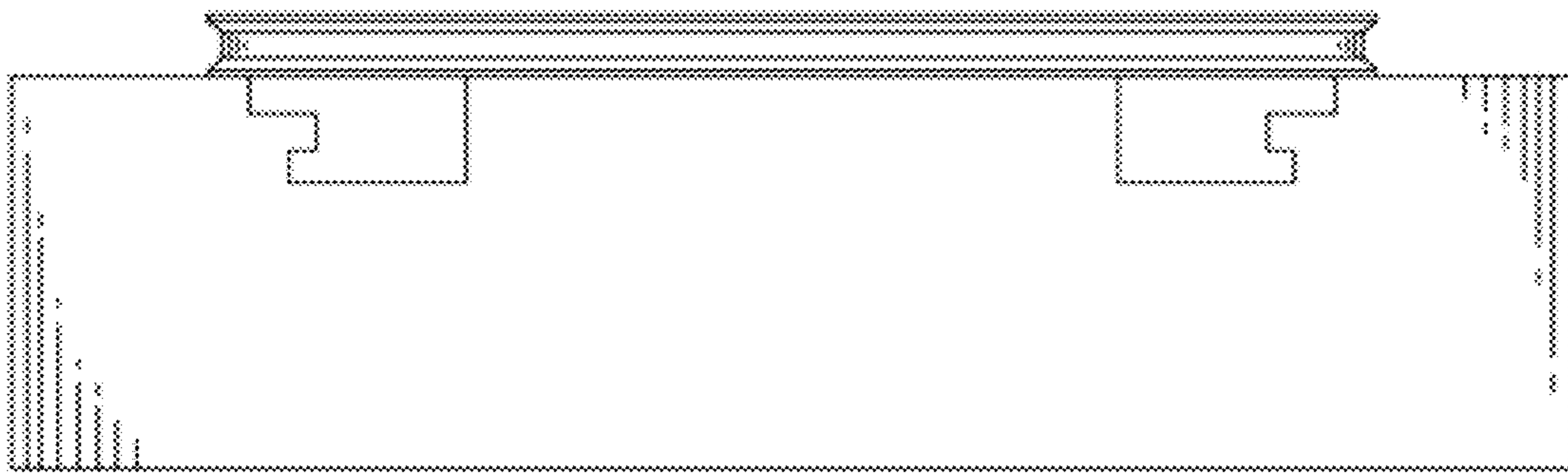


FIG. 7

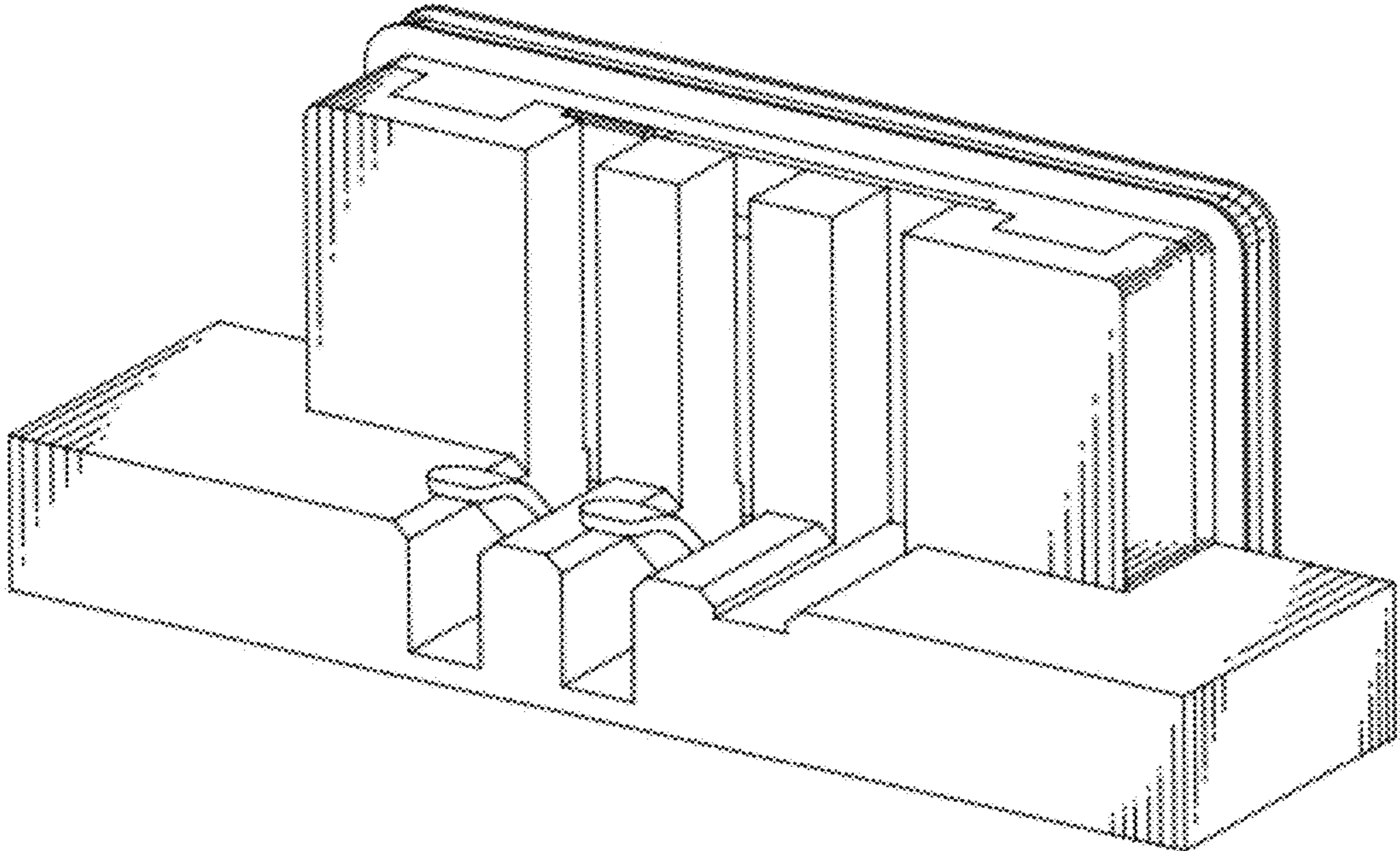


FIG. 8

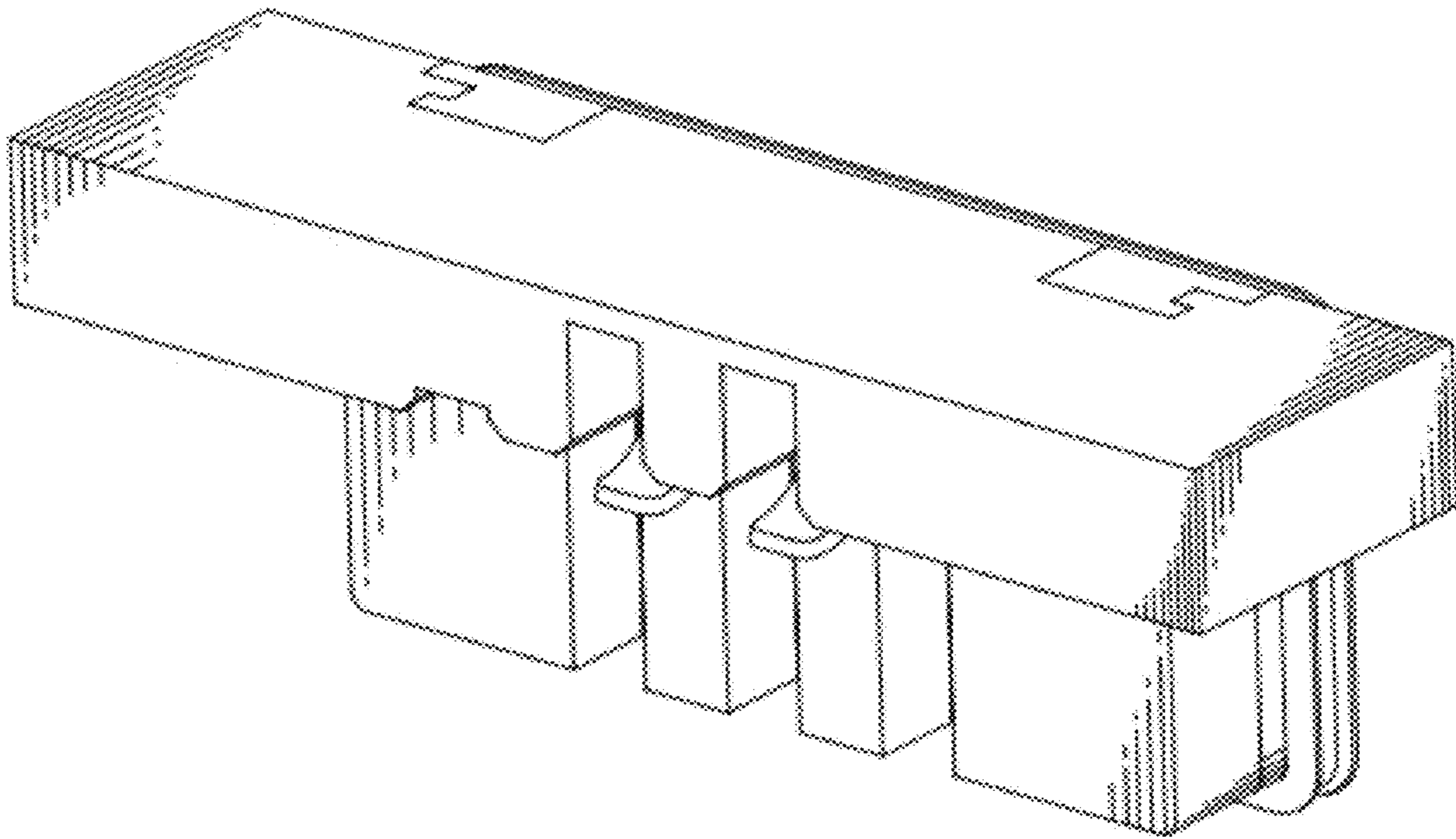


FIG. 9