

US00D661651S

(12) **United States Design Patent**
Smith et al.

(10) **Patent No.:** **US D661,651 S**
(45) **Date of Patent:** **** *Jun. 12, 2012**

(54) **PLUG**

(75) Inventors: **Dustin Jonathan Smith**, Waterloo (CA);
Todd Andrew Wood, Guelph (CA);
Anders Fahrendorff, Ottawa (CA)

(73) Assignee: **Rebecca L. Pumphrey**

(*) Notice: This patent is subject to a terminal disclaimer.

(**) Term: **14 Years**

(21) Appl. No.: **29/376,002**

(22) Filed: **Sep. 30, 2010**

(51) **LOC (9) Cl.** **13-03**

(52) **U.S. Cl.** **D13/138.1**

(58) **Field of Classification Search** D13/138.1,
D13/138.2, 139.1–139.8, 137.1–137.4, 133,
D13/107, 108, 110, 146, 147, 154, 174, 177;
D8/353, 350; 363/15, 34, 146; 439/93, 105,
439/106, 535, 620.15, 620.21, 620.3, 620.31,
439/907, 908, 919, 650, 651, 652, 653, 654,
439/655, 692; 174/494, 53, 55, 59, 66; 320/111,
320/114, 115; 307/150, 151
See application file for complete search history.

(56) **References Cited**

U.S. PATENT DOCUMENTS

D398,581 S * 9/1998 Chang D13/138.1
D430,848 S * 9/2000 Davi et al. D13/138.1

D452,842 S * 1/2002 Kajiwara et al. D13/110
D478,310 S * 8/2003 Andre et al. D13/110
D543,147 S * 5/2007 Ng D13/138.1
D544,833 S * 6/2007 Sade et al. D13/108
D583,317 S * 12/2008 Kagami et al. D13/108
D601,501 S * 10/2009 Kaibara et al. D13/110
D610,993 S * 3/2010 Fahrendorff et al. D13/138.1
D610,994 S * 3/2010 Fahrendorff et al. D13/138.1
D617,275 S * 6/2010 Fahrendorff et al. D13/138.1
D621,348 S * 8/2010 Nylen D13/108
D621,357 S * 8/2010 Dong D13/138.1

* cited by examiner

Primary Examiner — Angela J Lee

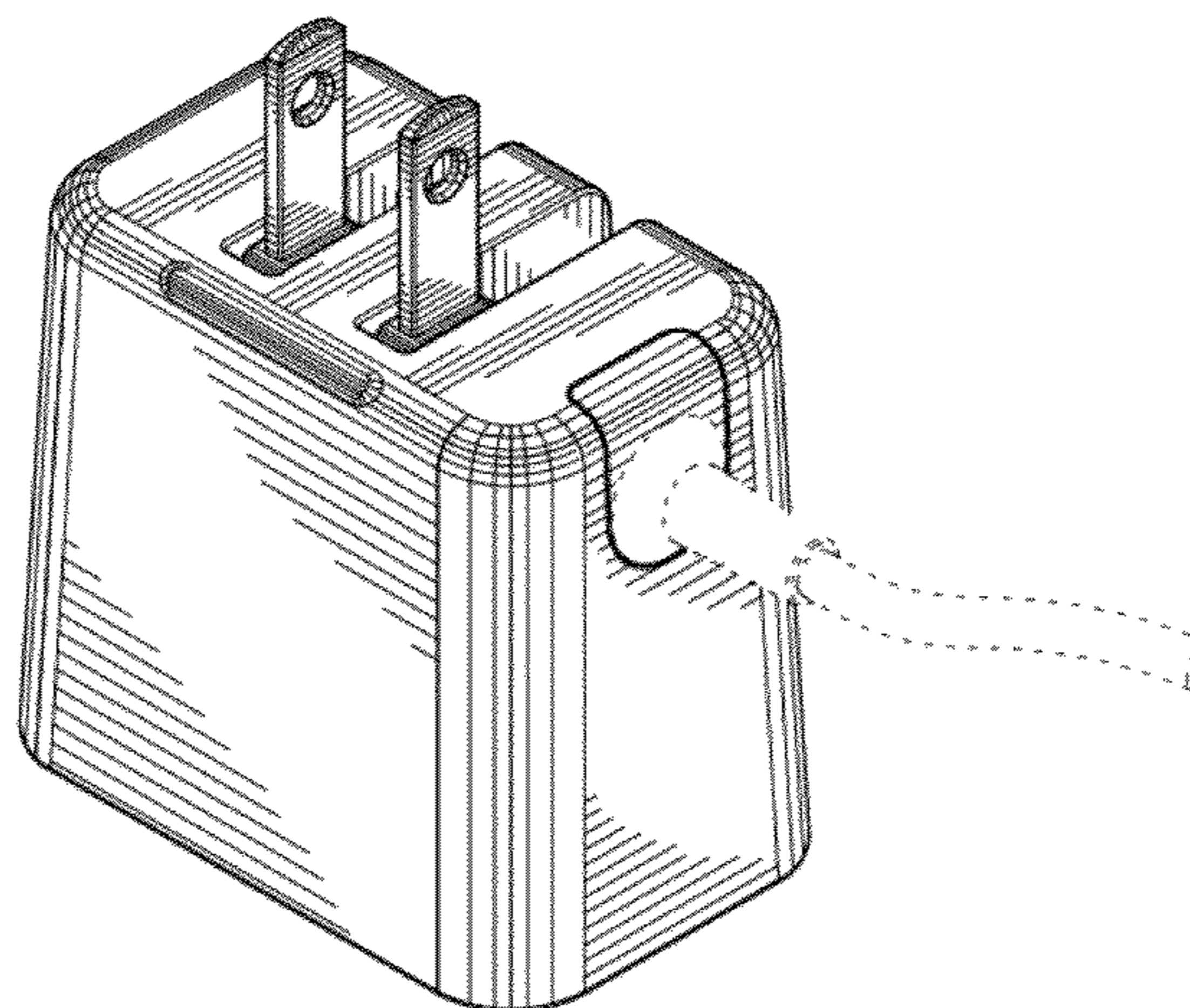
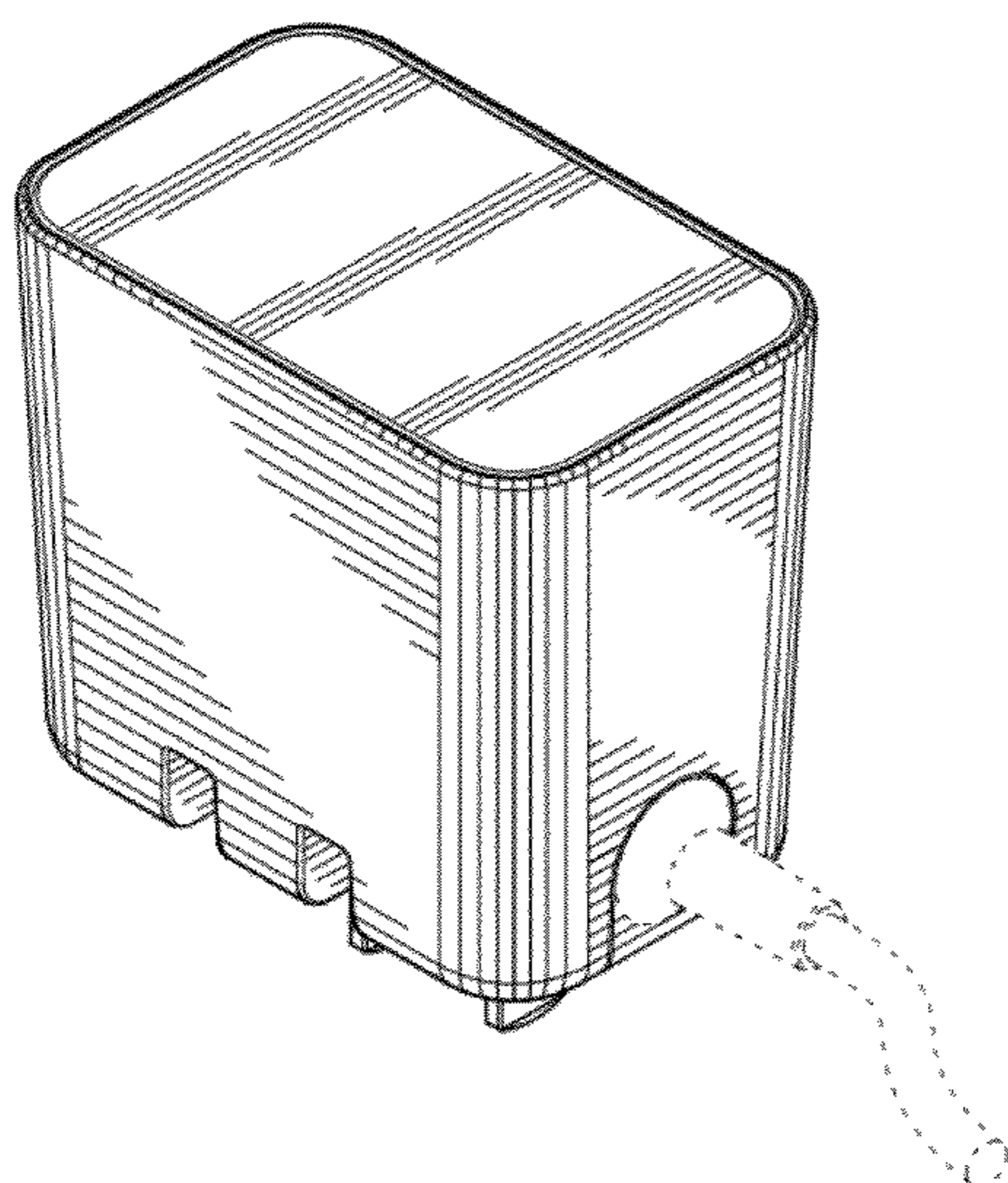
(57) **CLAIM**

We claim the ornamental design for a plug, as shown and described.

DESCRIPTION

FIG. 1 is a front perspective view of a plug;
FIG. 2 is a back perspective view of the plug;
FIG. 3 is a top plan view thereof;
FIG. 4 is a bottom plan view thereof;
FIG. 5 is a left elevational view thereof;
FIG. 6 is a right elevational view thereof;
FIG. 7 is a back elevational view thereof; and,
FIG. 8 is a front elevational view thereof.
The broken lines of portions of the plug in the drawings are for illustrative purposes only and form no part of the claimed design.

1 Claim, 4 Drawing Sheets



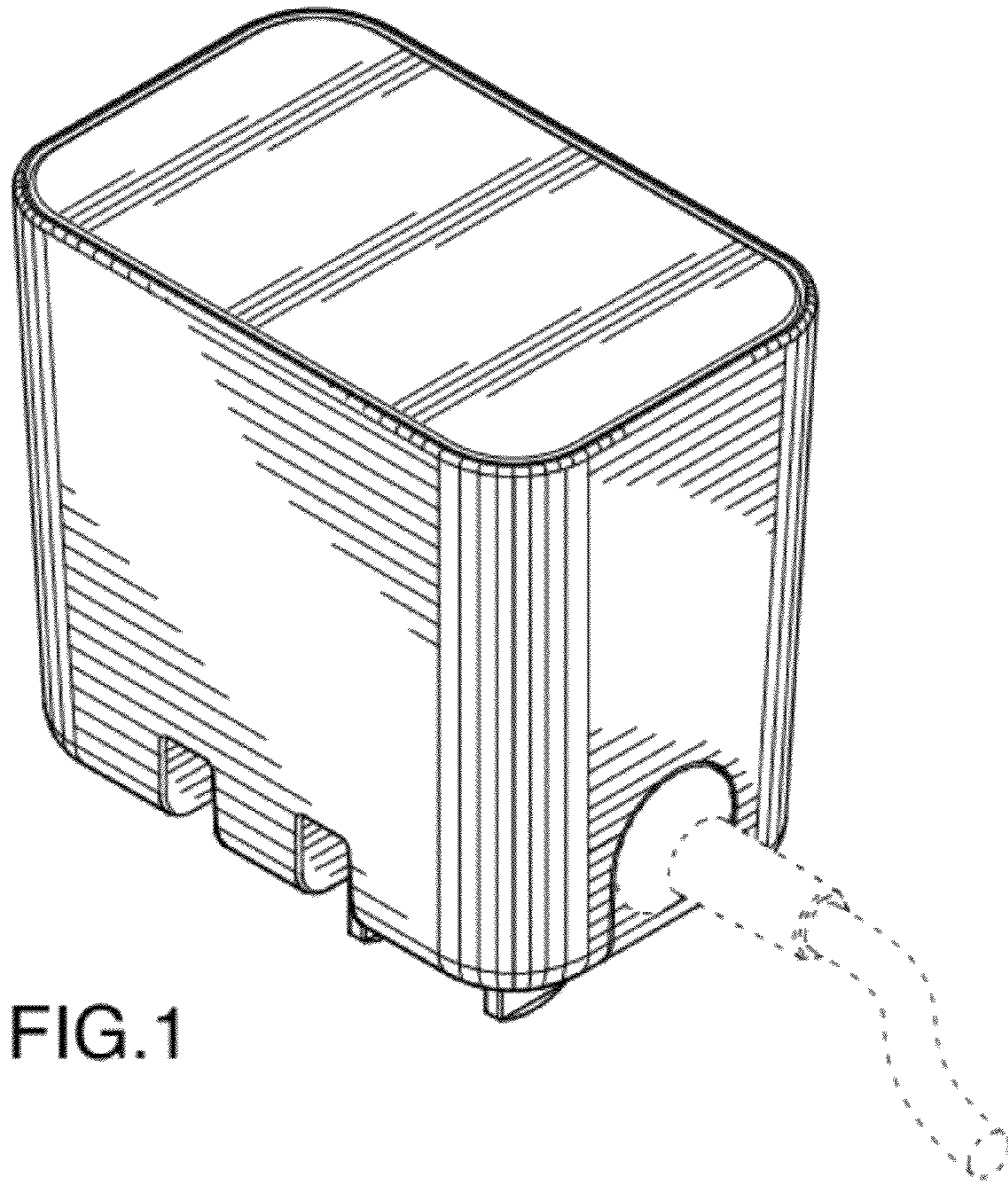


FIG. 1

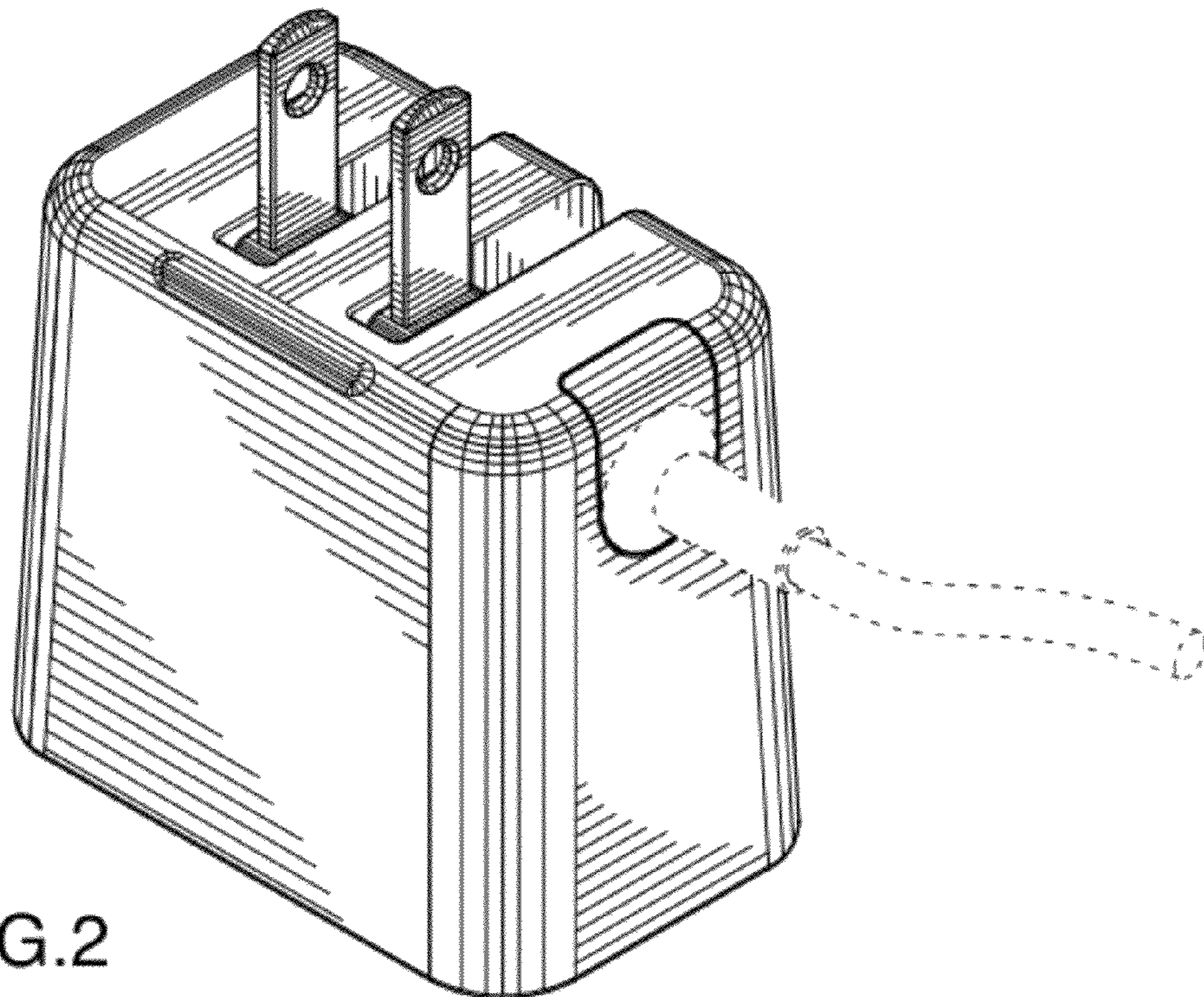


FIG. 2

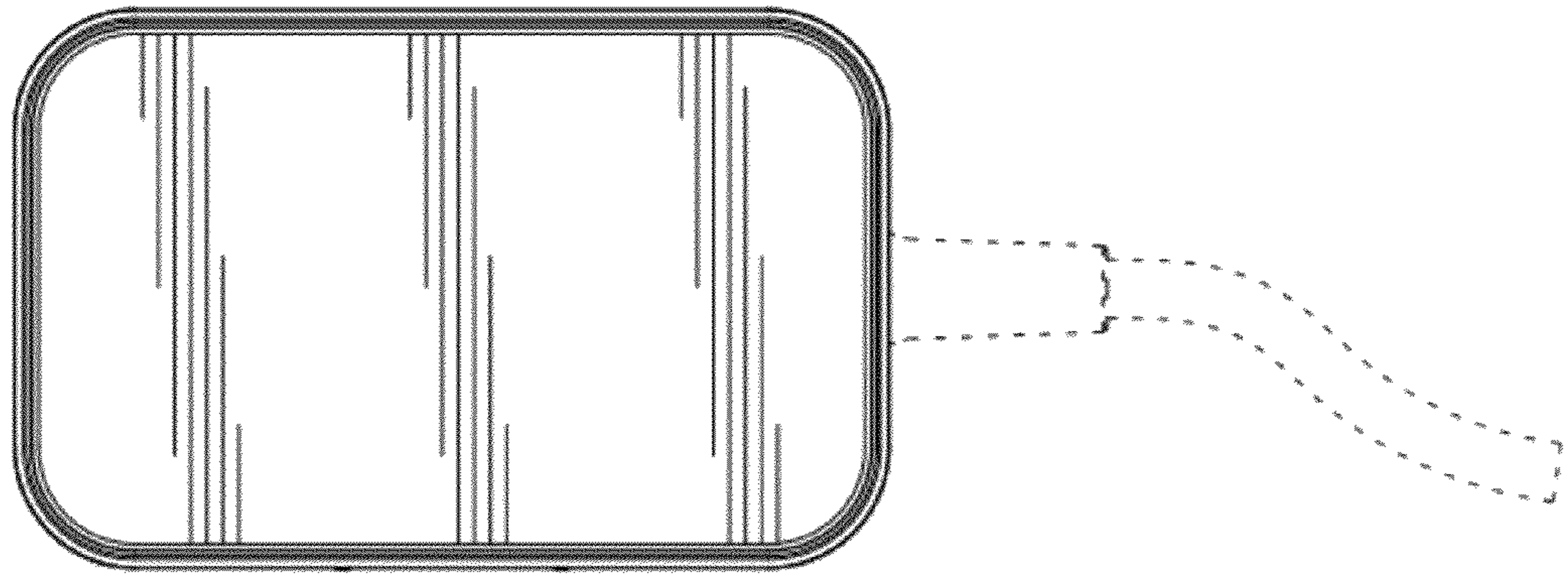


FIG. 3

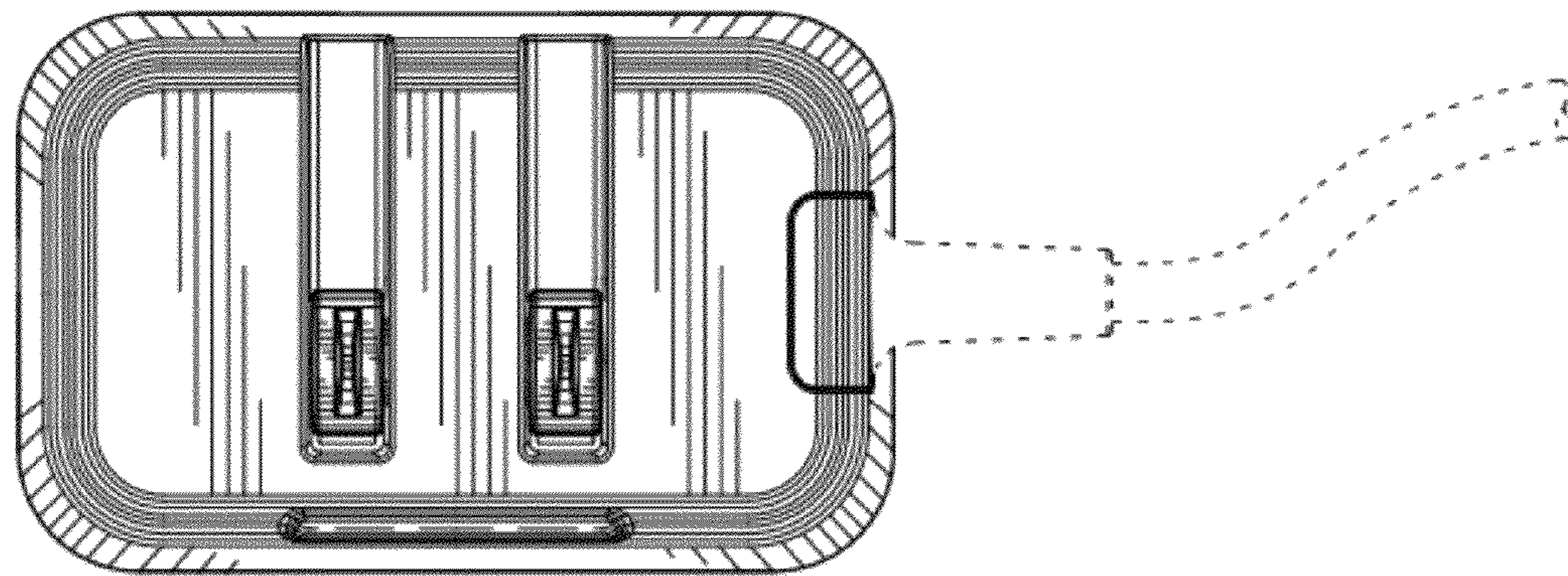


FIG. 4

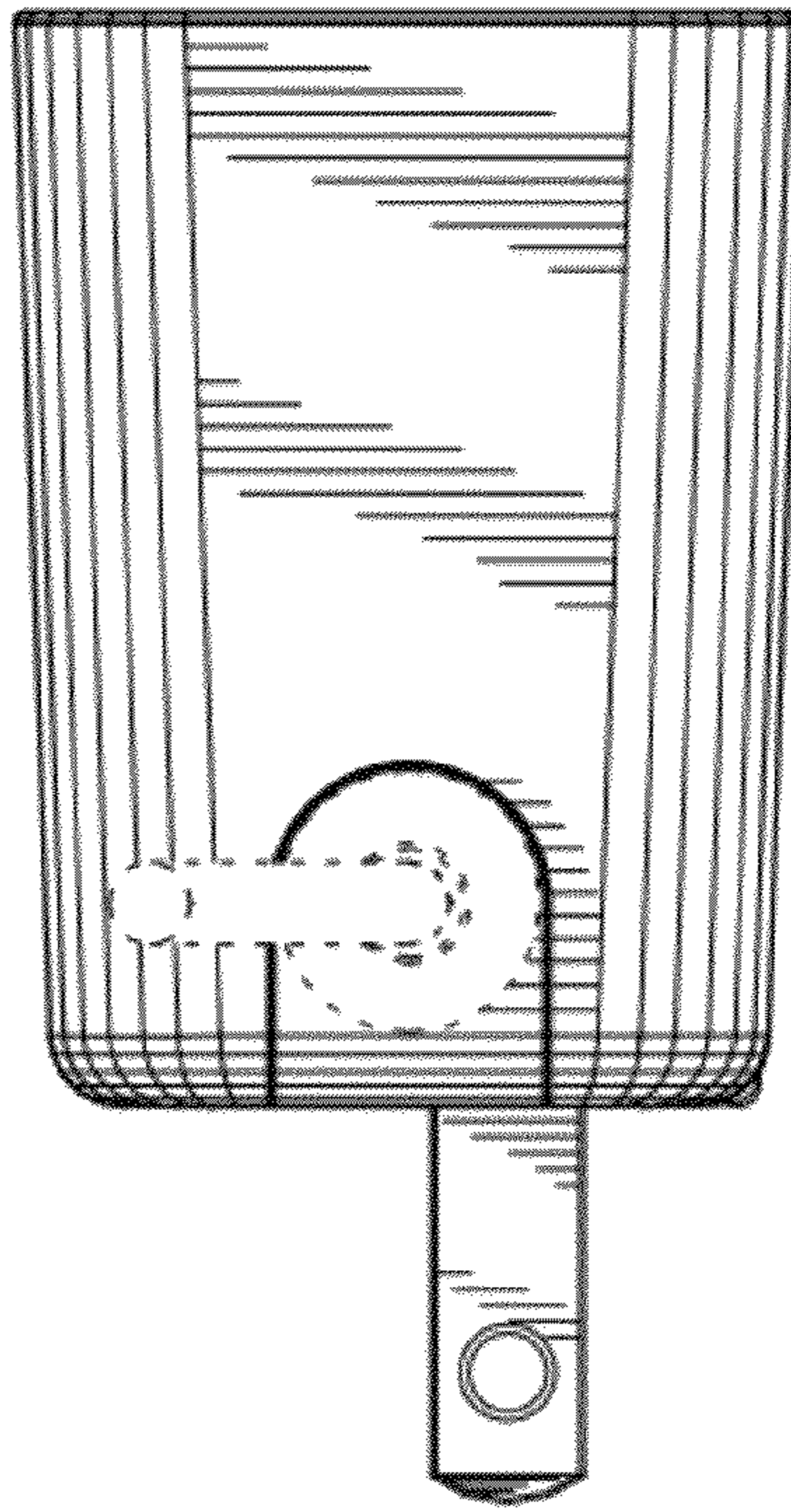


FIG. 5

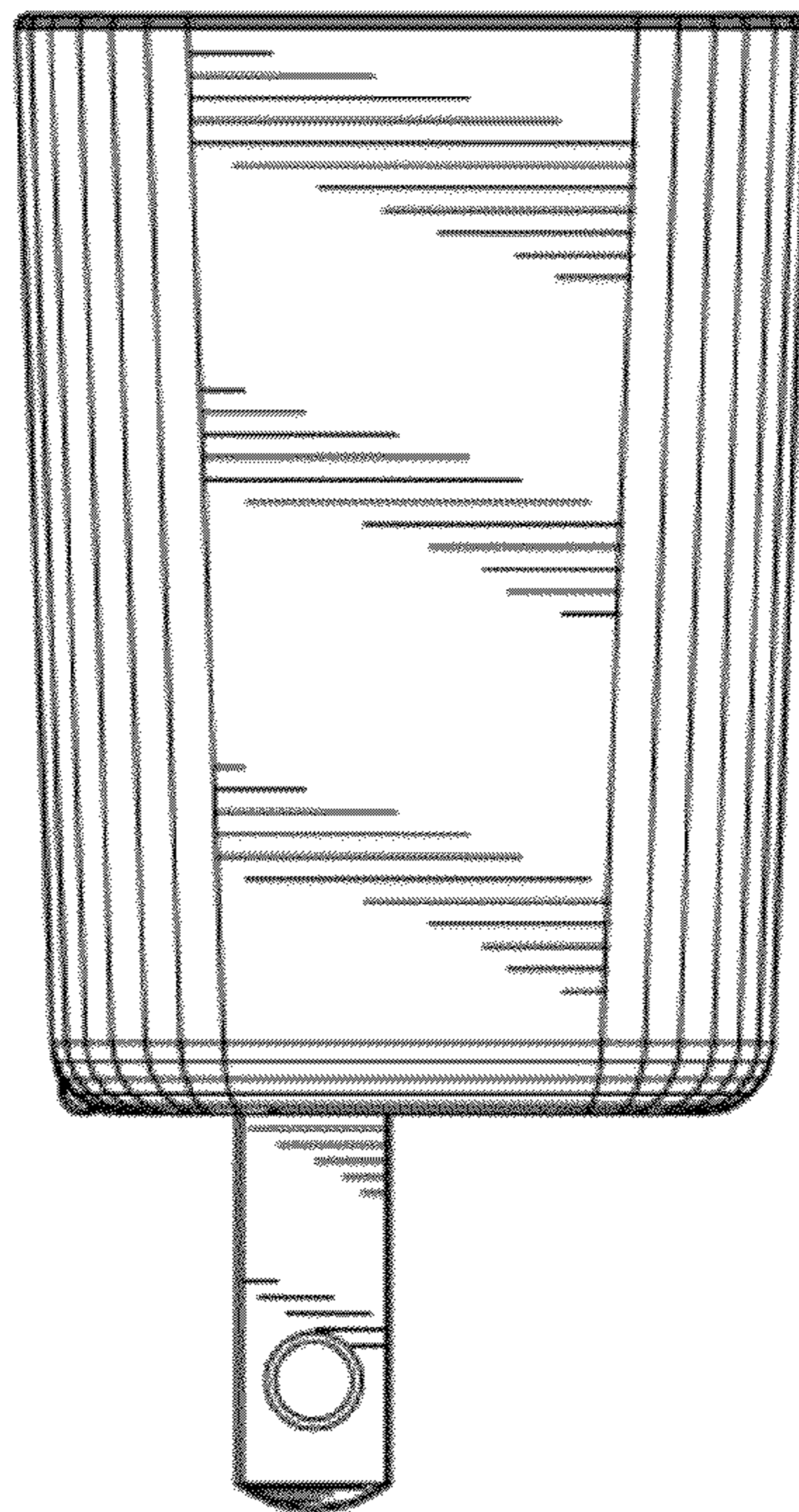


FIG. 6

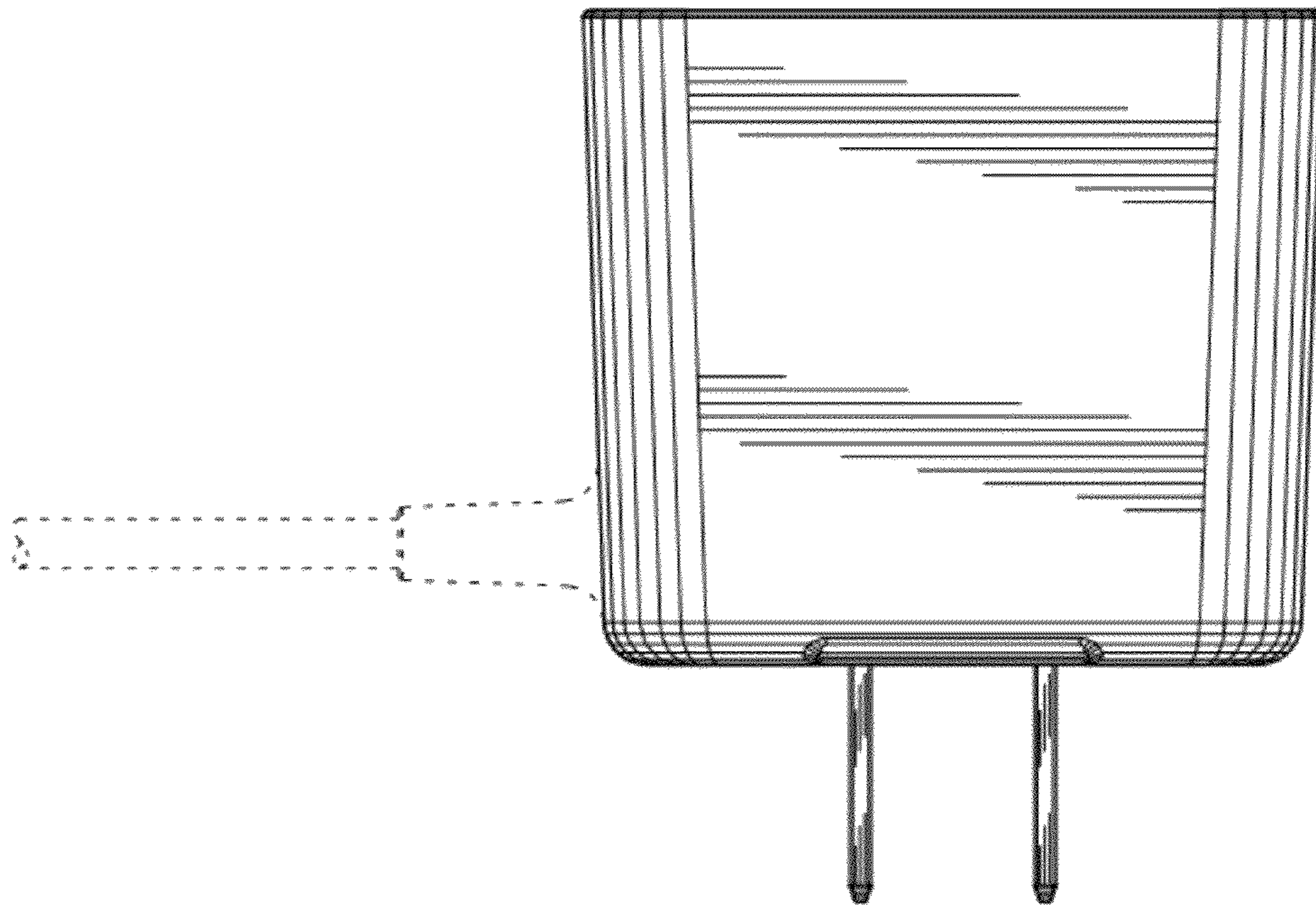


FIG. 7

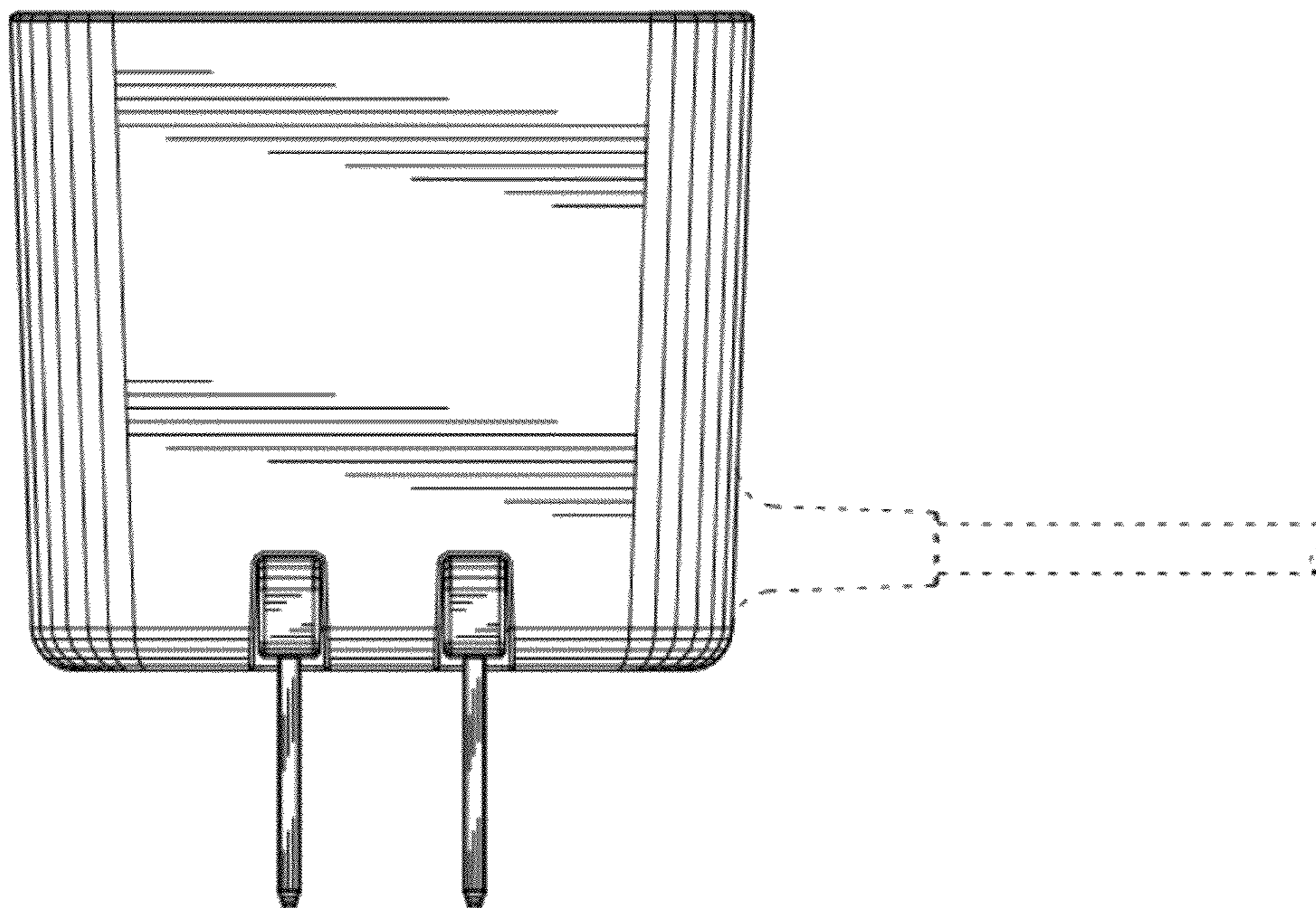


FIG. 8