

US00D661650S

(12) **United States Design Patent**
Auge, II et al.

(10) **Patent No.:** **US D661,650 S**

(45) **Date of Patent:** **** Jun. 12, 2012**

(54) **MEDICAL ELECTRICAL CONNECTOR ASSEMBLY**

(75) Inventors: **Wayne K. Auge, II**, Santa Fe, NM (US);
Roy E. Morgan, San Jose, CA (US)

(73) Assignee: **NuOrtho Surgical, Inc.**, Fall River, MA (US)

(**) Term: **14 Years**

(21) Appl. No.: **29/361,057**

(22) Filed: **May 4, 2010**

(51) **LOC (9) Cl.** **13-03**

(52) **U.S. Cl.** **D13/133**

(58) **Field of Classification Search** D13/133,
D13/146, 154, 184, 199; D24/129, 133,
D24/144; 439/178–181, 527, 533, 535, 866,
439/887, 890–891, 909, 948–949; 606/32,
606/34, 152–154

See application file for complete search history.

(56) **References Cited**

U.S. PATENT DOCUMENTS

D86,515	S	*	3/1932	Cox	D13/147
2,377,912	A	*	6/1945	Way	379/332
D281,681	S	*	12/1985	Kaufman	D13/133
D327,871	S	*	7/1992	Jacobs	D13/133
D393,067	S	*	3/1998	Geary et al.	D24/144
6,190,385	B1	*	2/2001	Tom et al.	606/48
6,402,748	B1	*	6/2002	Schoenman et al.	606/45
D547,867	S	*	7/2007	Malis et al.	D24/144
D560,167	S	*	1/2008	Malis et al.	D13/146
D615,042	S	*	5/2010	Morgan et al.	D13/138.1

* cited by examiner

Primary Examiner — Daniel Bui

(74) *Attorney, Agent, or Firm* — Janeen Vilven; Peacock Myers, P.C.

(57) **CLAIM**

The ornamental design for a medical electrical connector assembly, as shown and described.

DESCRIPTION

FIG. 1 is a top, front, and left side perspective view of a first embodiment of a medical electrical connector assembly, showing our new design;

FIG. 2 is a top view thereof;

FIG. 3 is a bottom thereof;

FIG. 4 is a right view thereof;

FIG. 5 is a left view thereof;

FIG. 6 is a front view thereof;

FIG. 7 is a back view thereof;

FIG. 8 is a top, front and left side perspective view of a second embodiment of a medical electrical connector assembly, showing our new design.

FIG. 9 is a top view thereof;

FIG. 10 is a bottom view thereof;

FIG. 11 is a right side view of thereof;

FIG. 12 is a left side view thereof;

FIG. 13 is a front view thereof;

FIG. 14 is a back view thereof;

FIG. 15 is a top, front and left side perspective view of a third embodiment of a medical electrical connector assembly, showing our new design.

FIG. 16 is a top view thereof;

FIG. 17 is a bottom view thereof;

FIG. 18 is a right side view thereof;

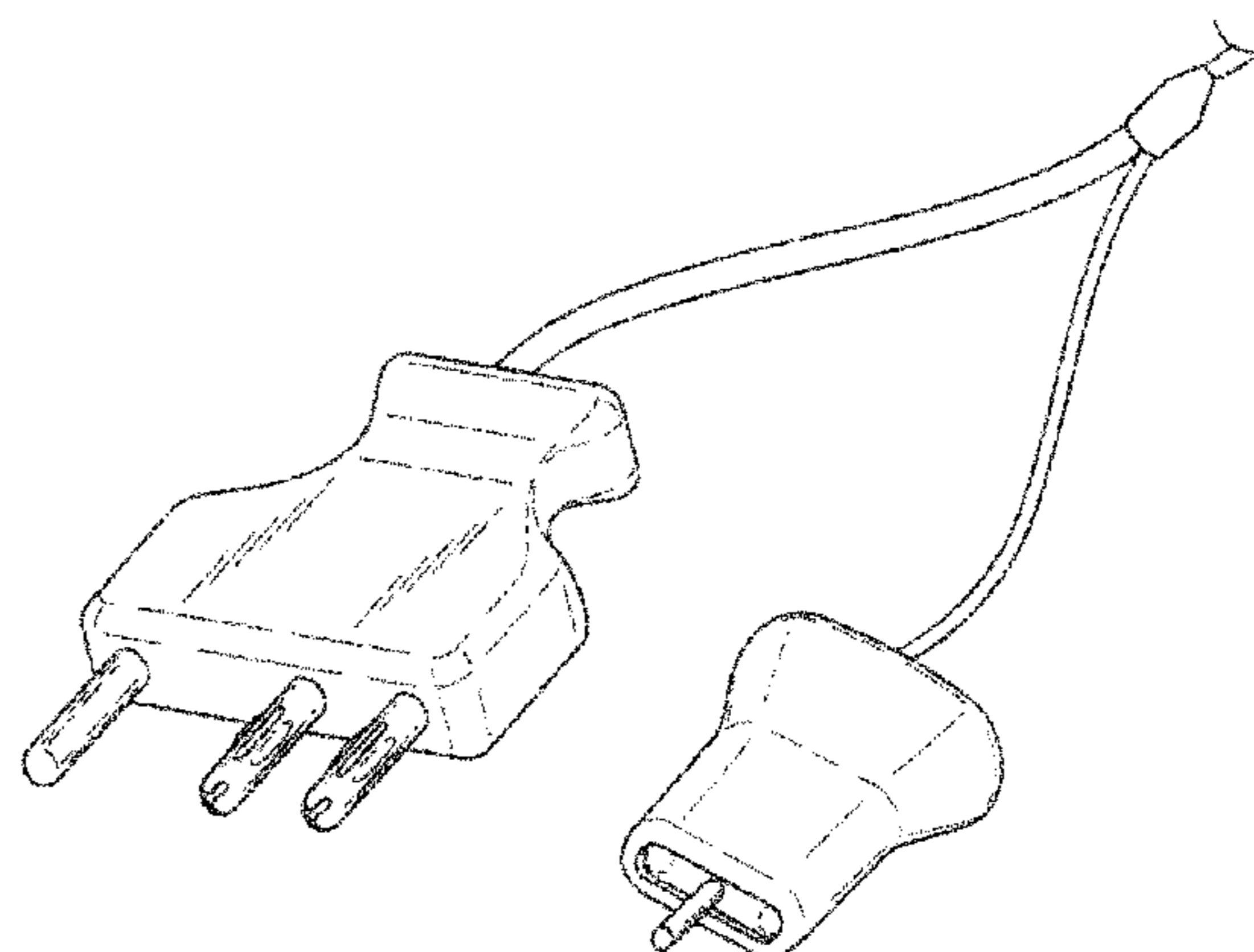
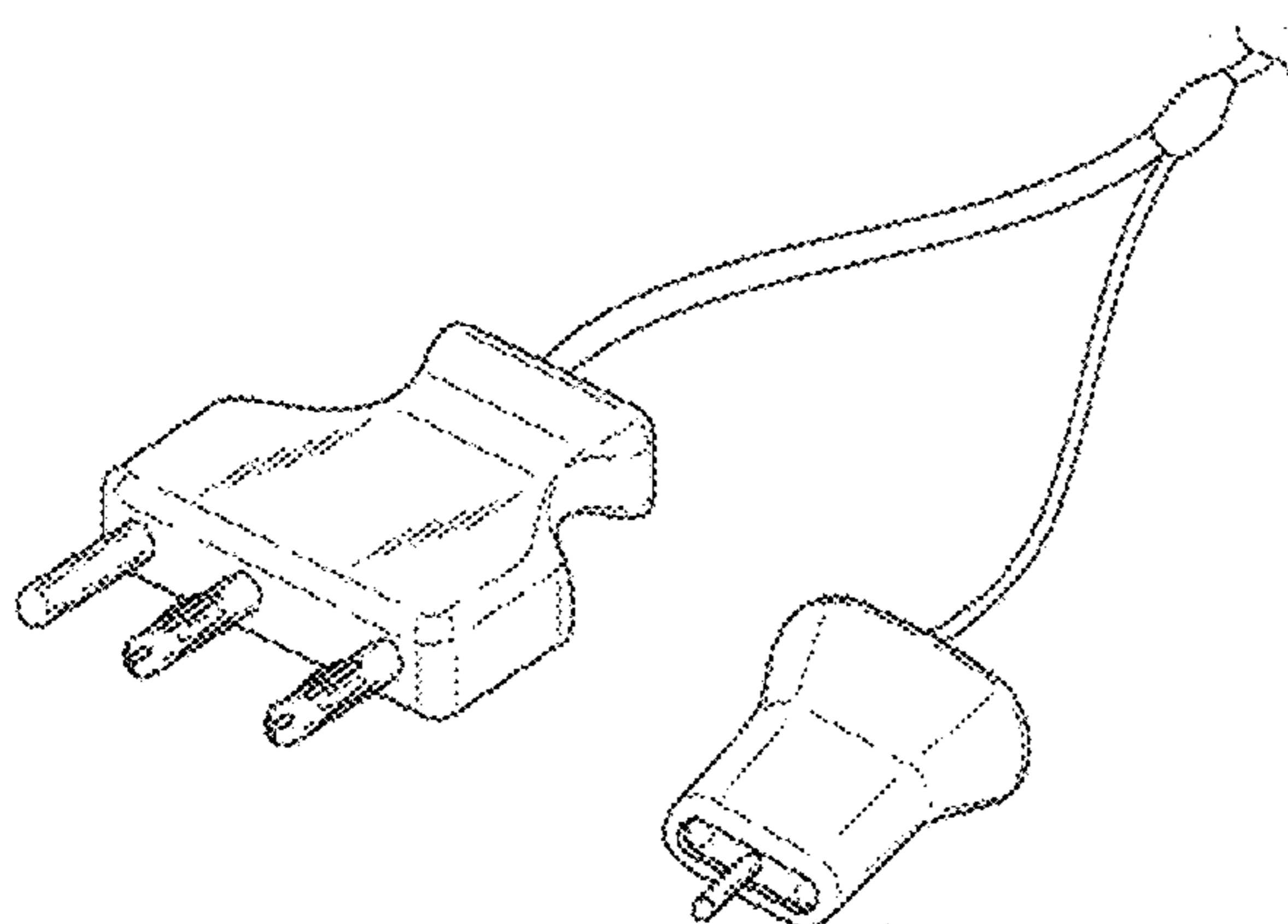
FIG. 19 is a left side view thereof;

FIG. 20 is a front view thereof; and,

FIG. 21 is a back view thereof.

The broken line shown in the figure drawings is included for the purpose of illustrating environment and forms no part of the claimed design.

1 Claim, 12 Drawing Sheets



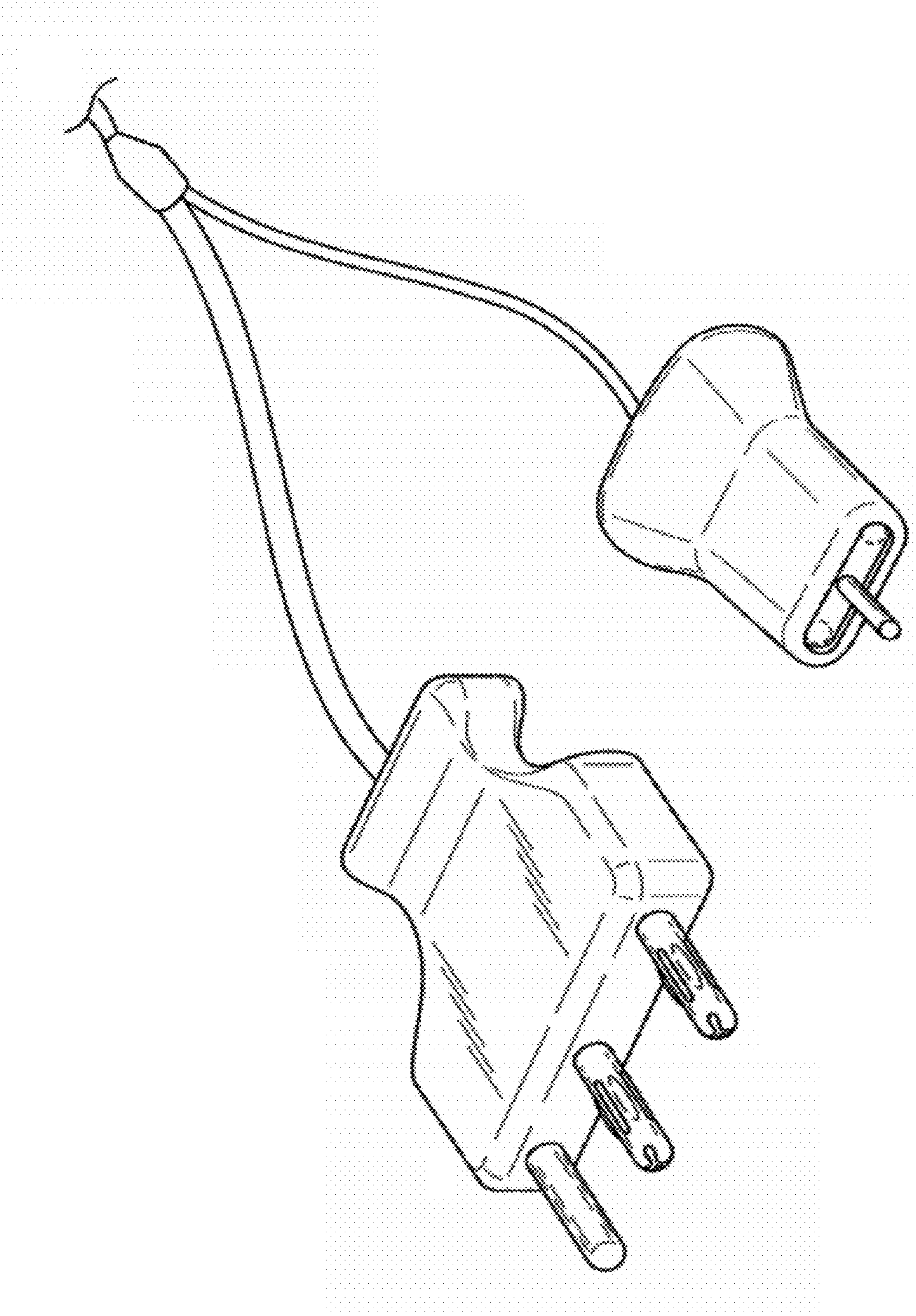


FIG. 1

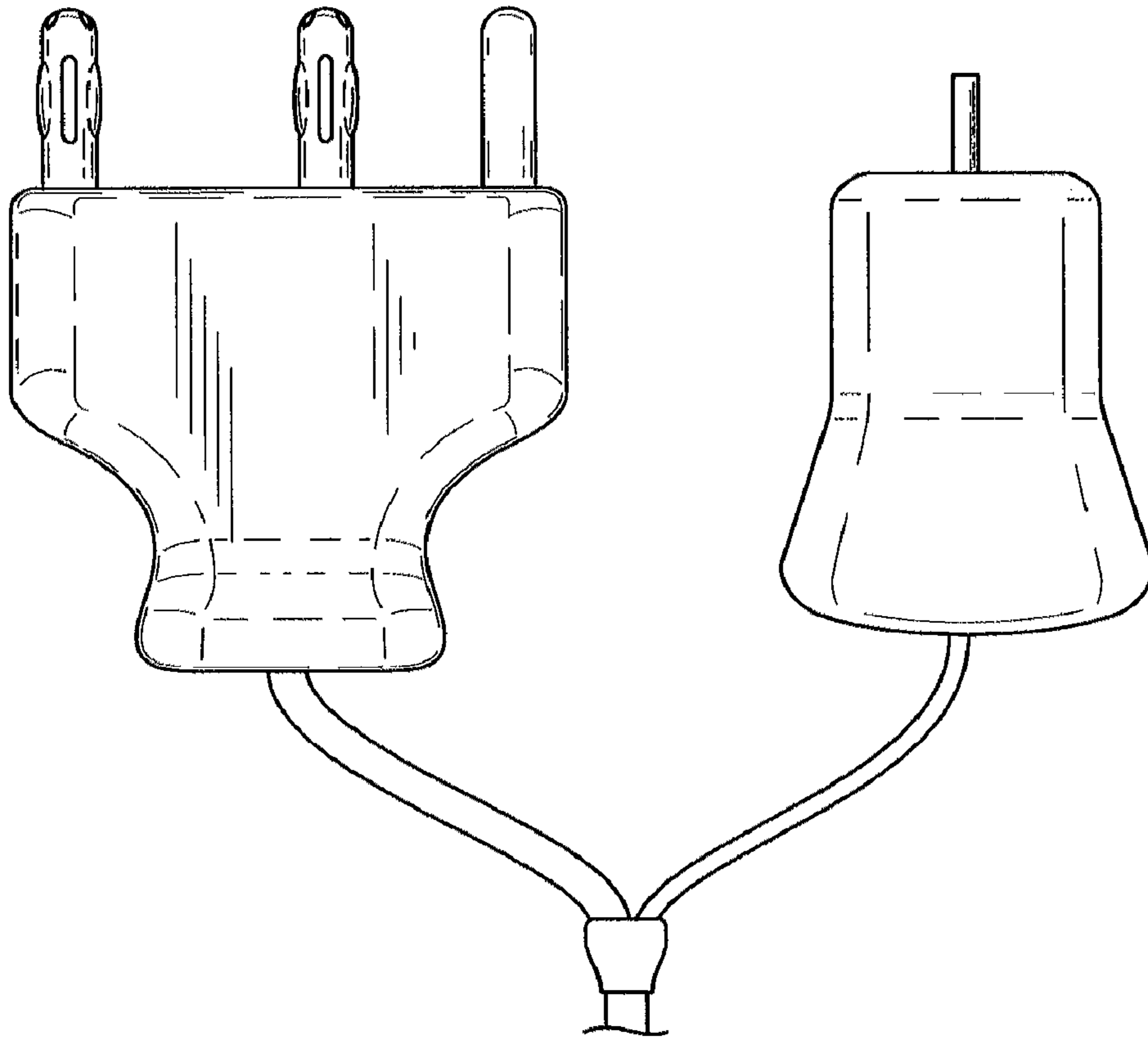


FIG. 2

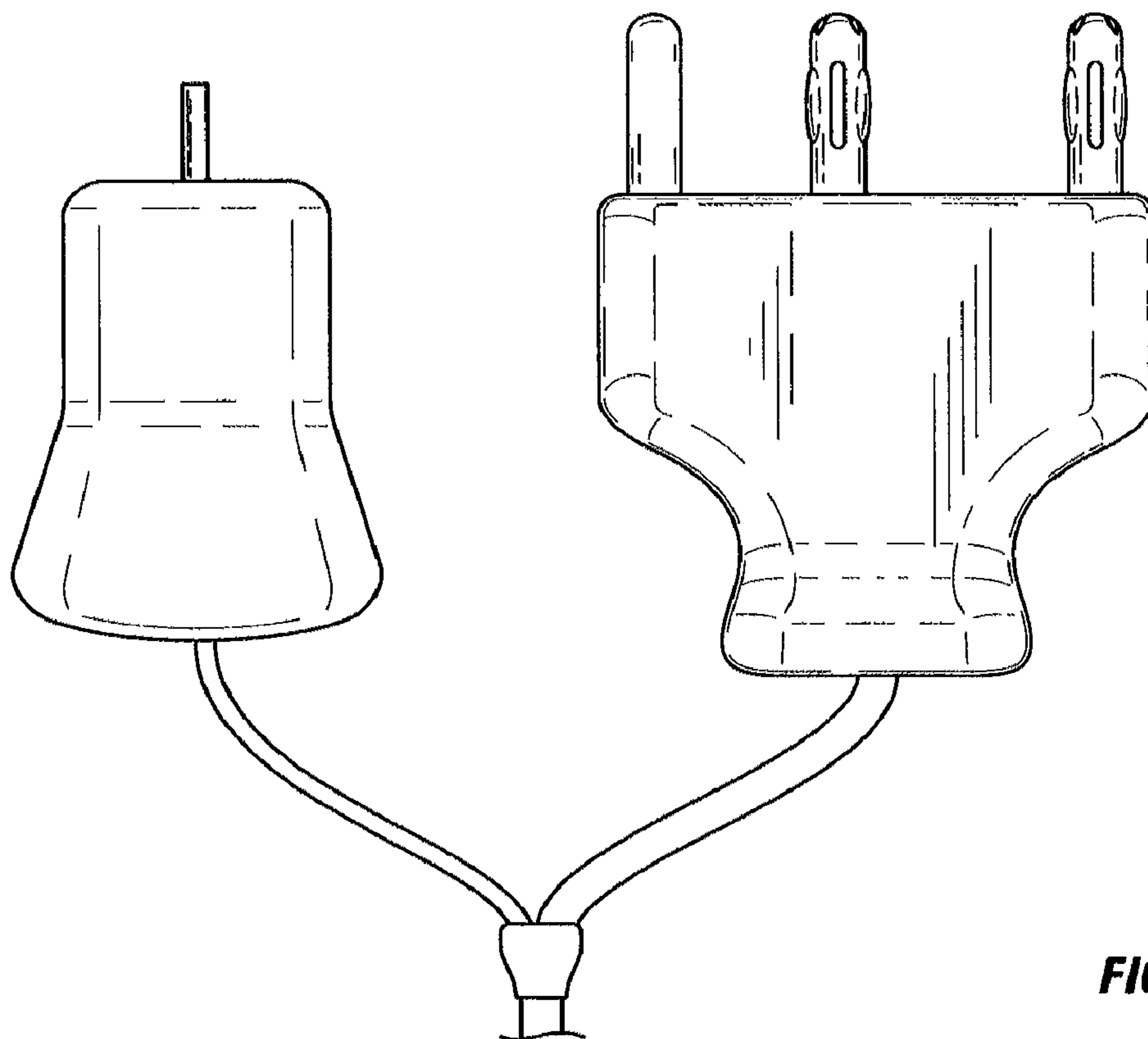


FIG. 3

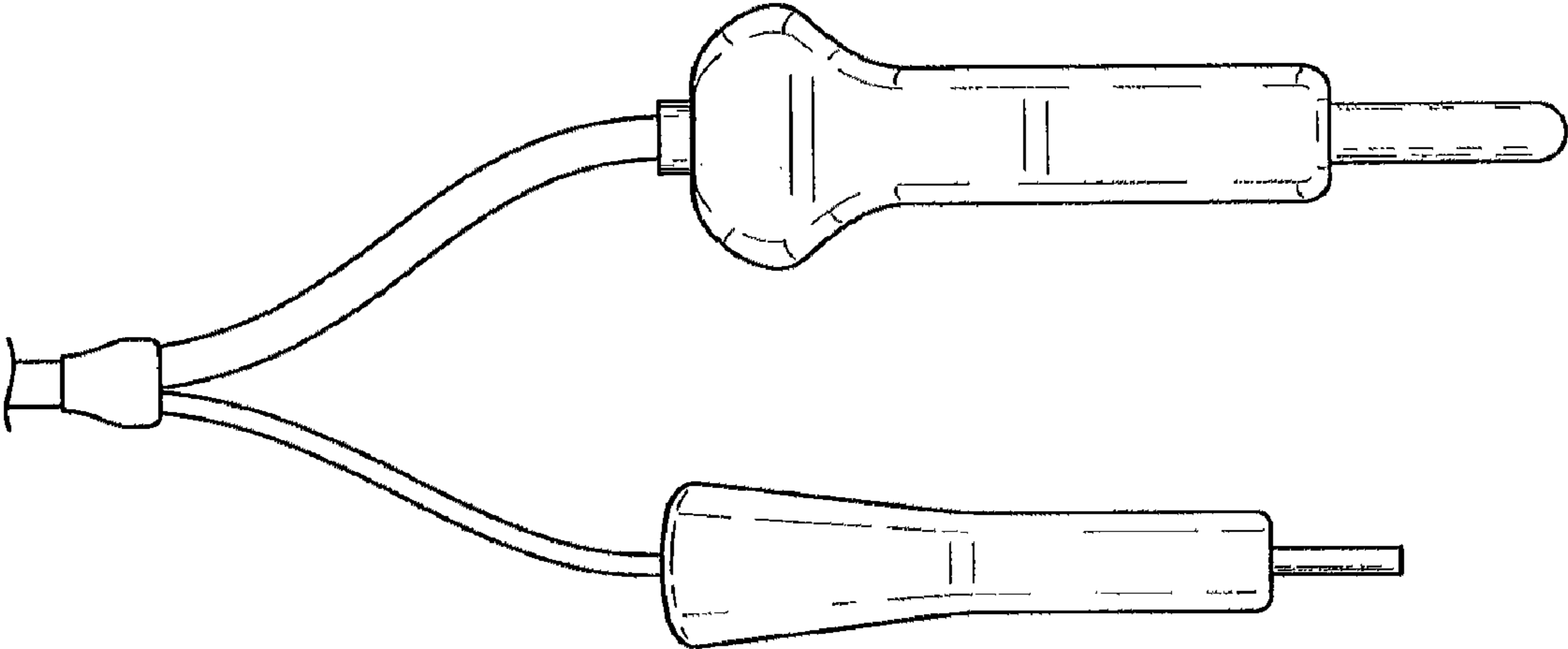


FIG. 4

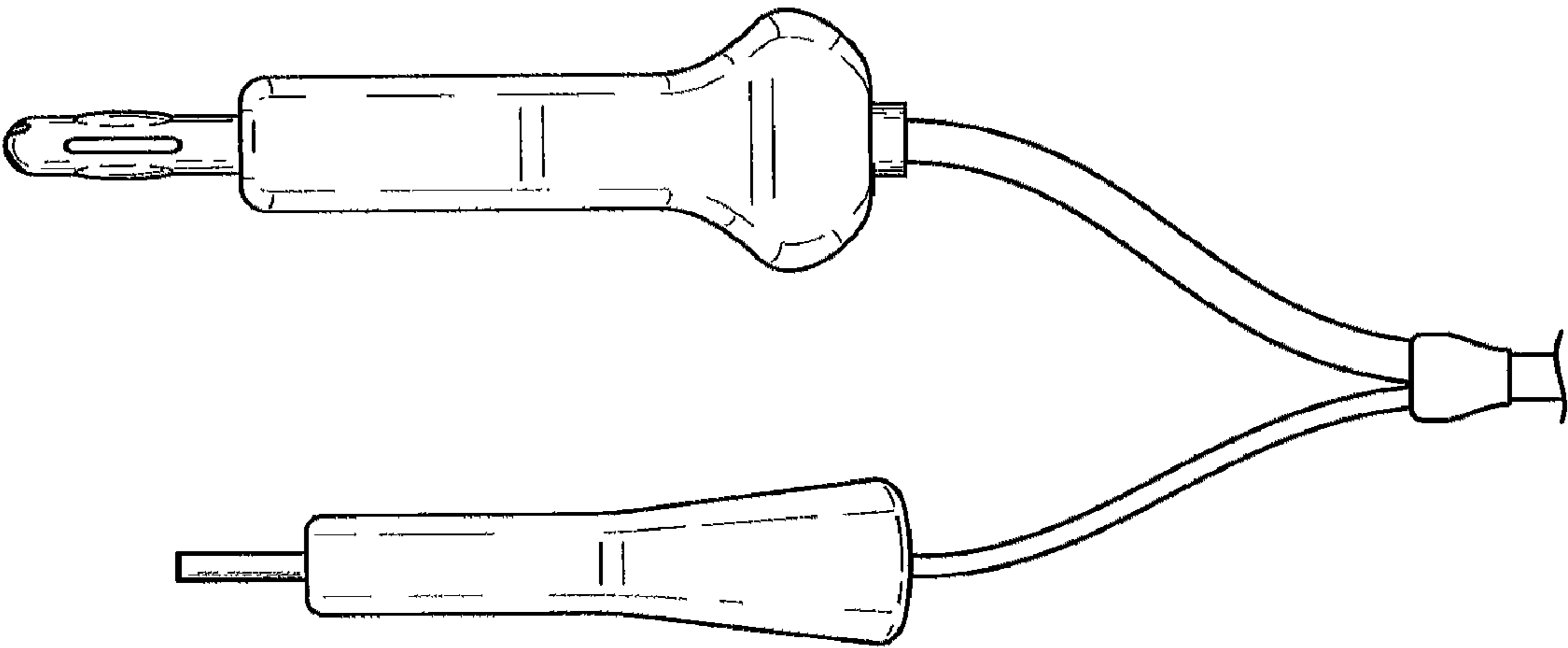


FIG. 5

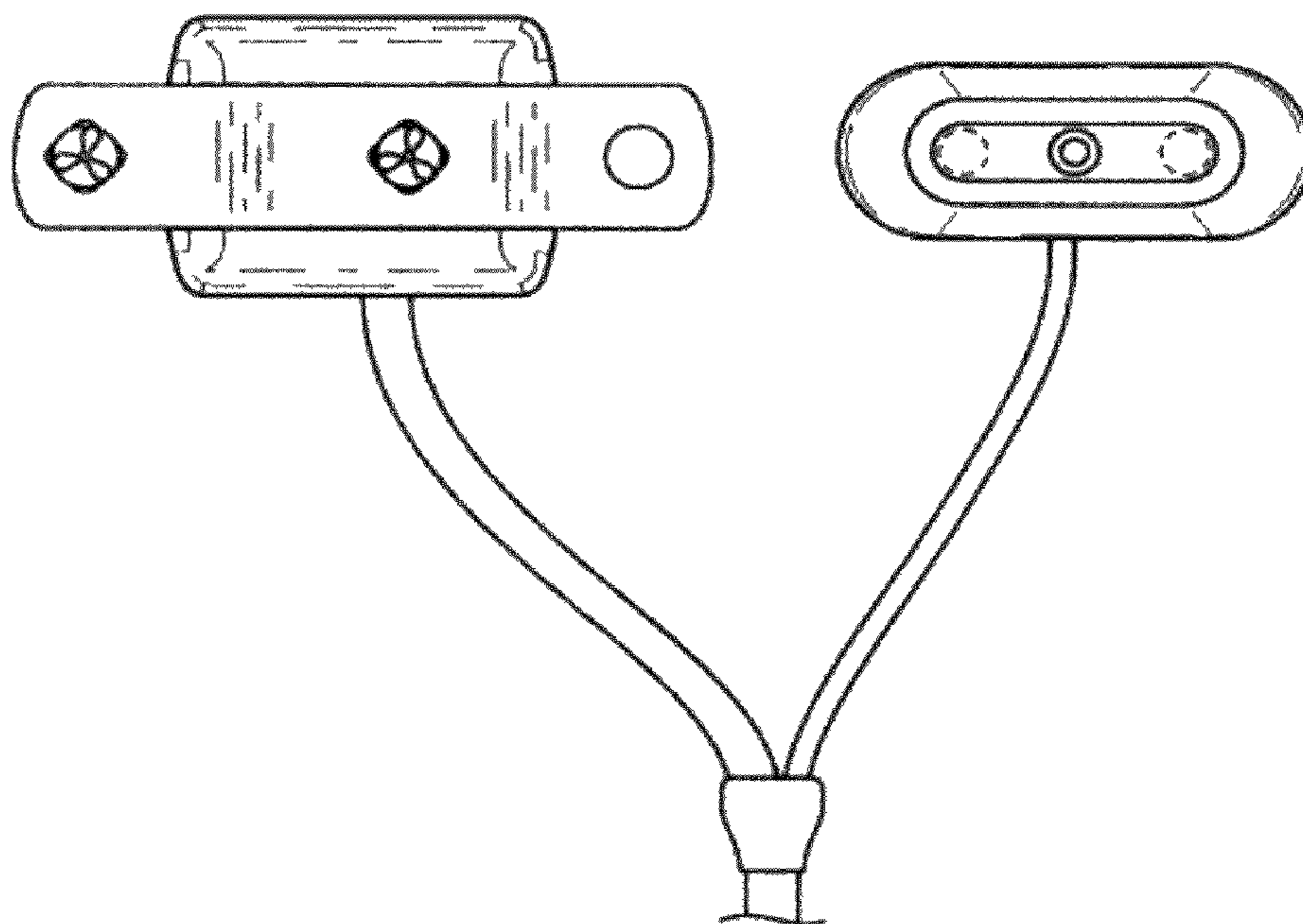


FIG. 6

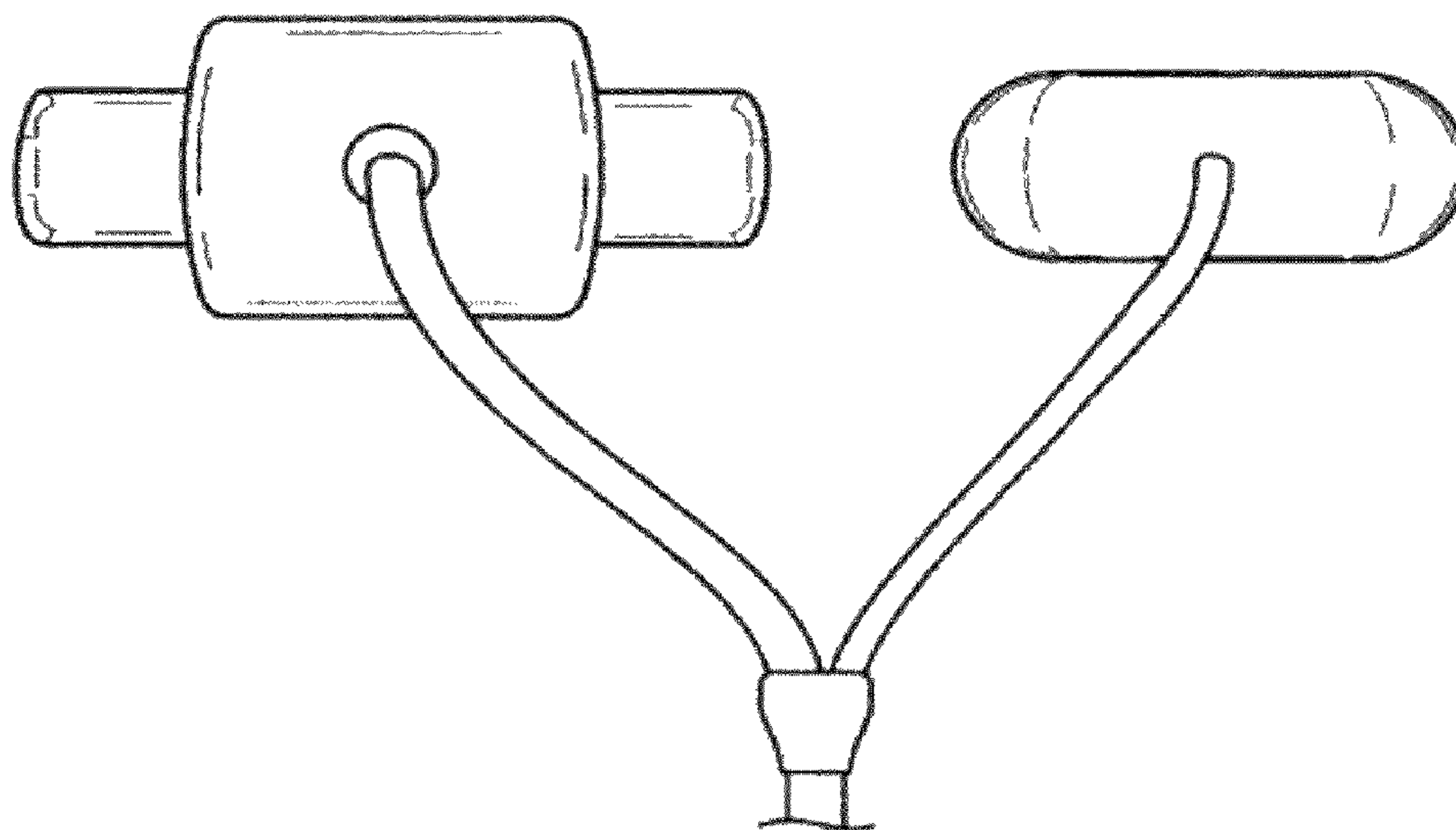


FIG. 7

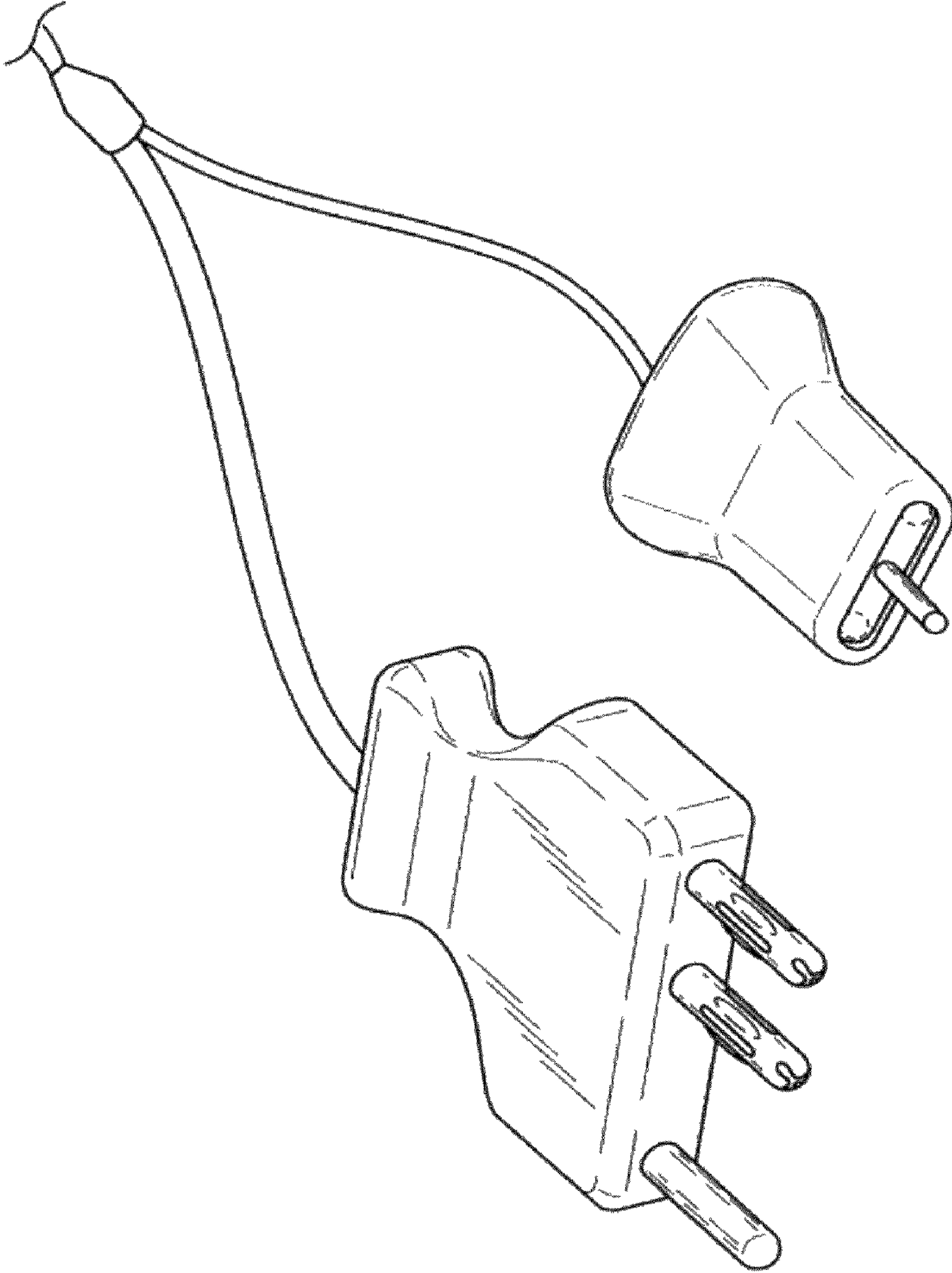


FIG. 8

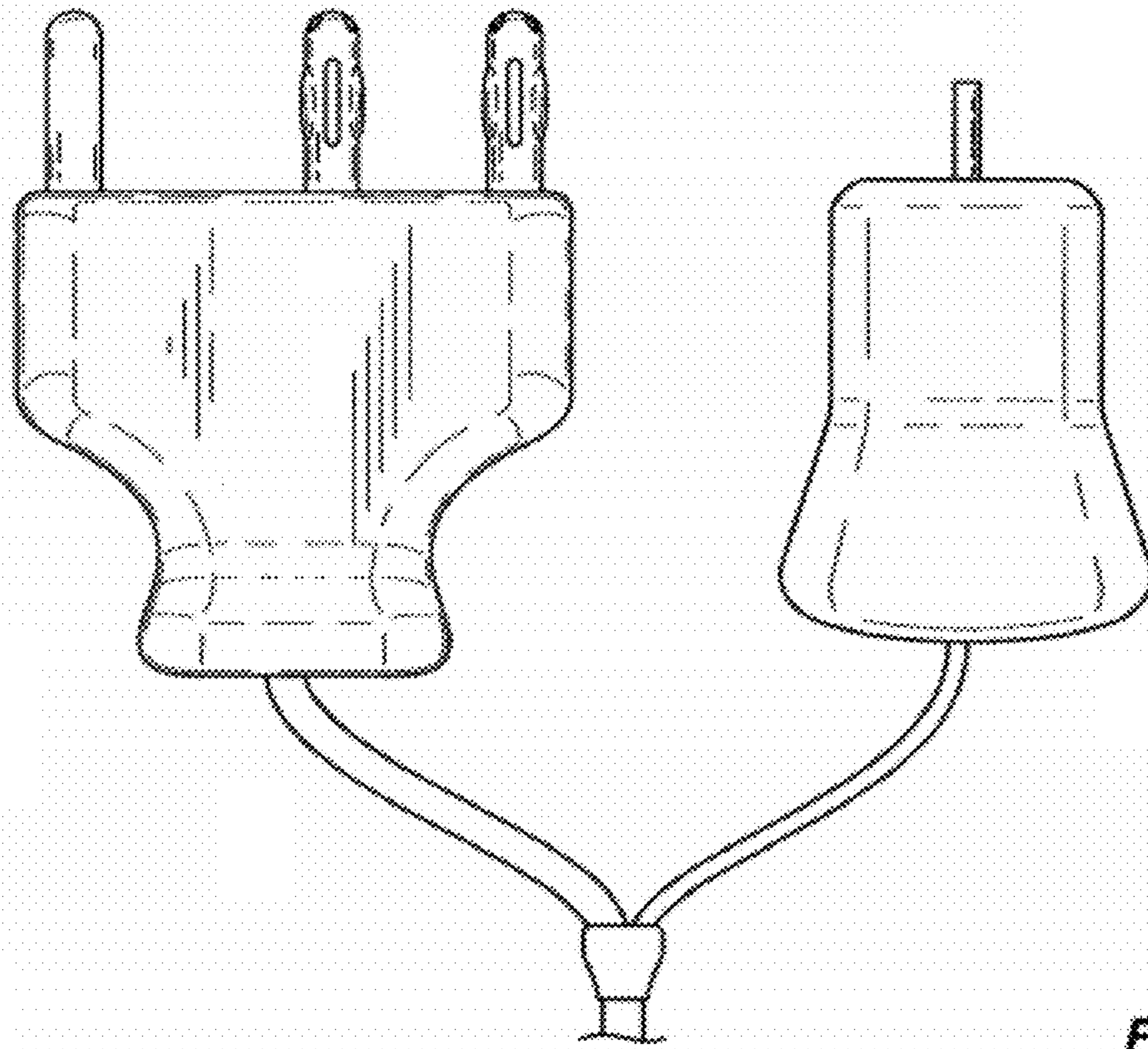


FIG. 9

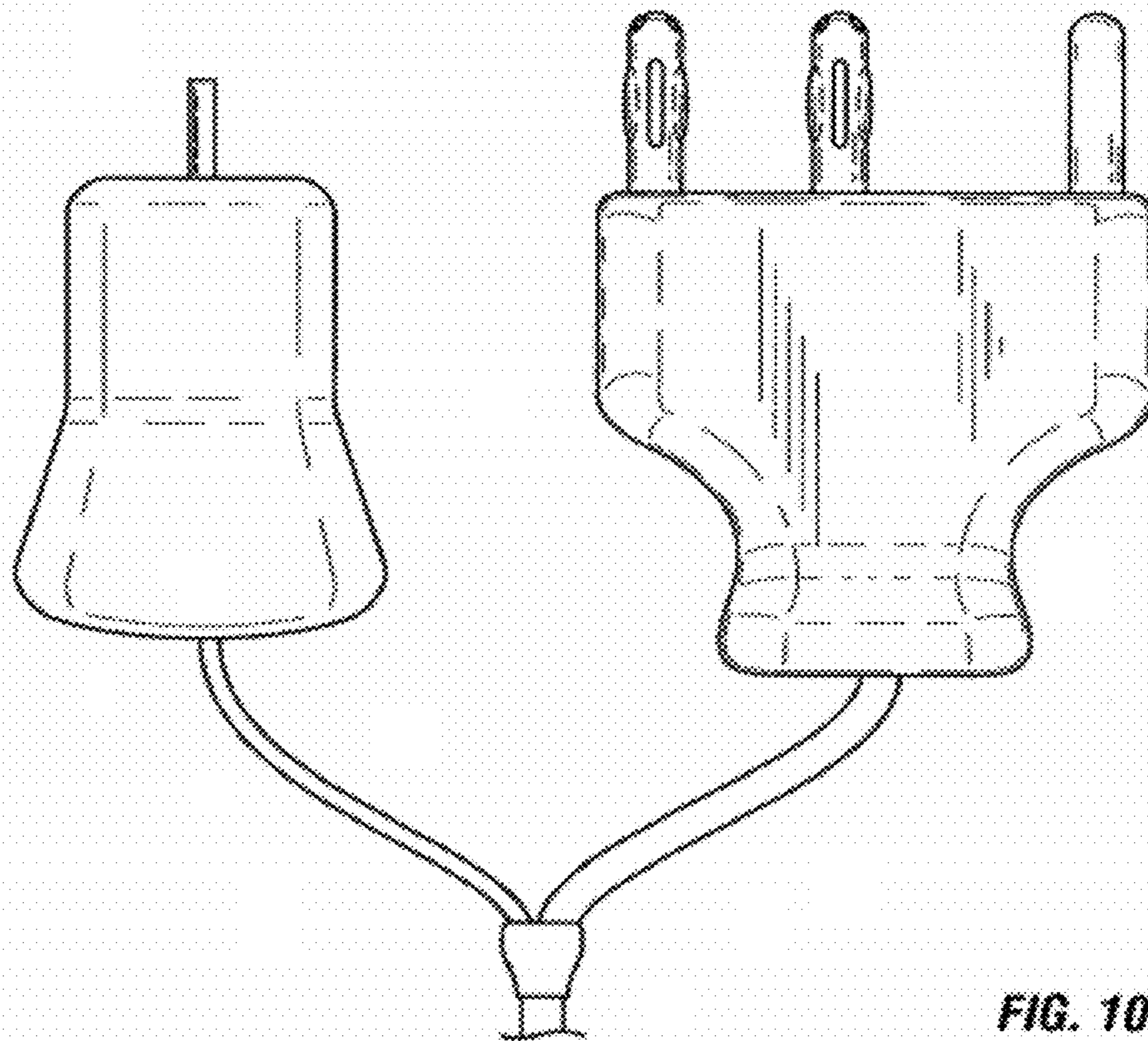


FIG. 10

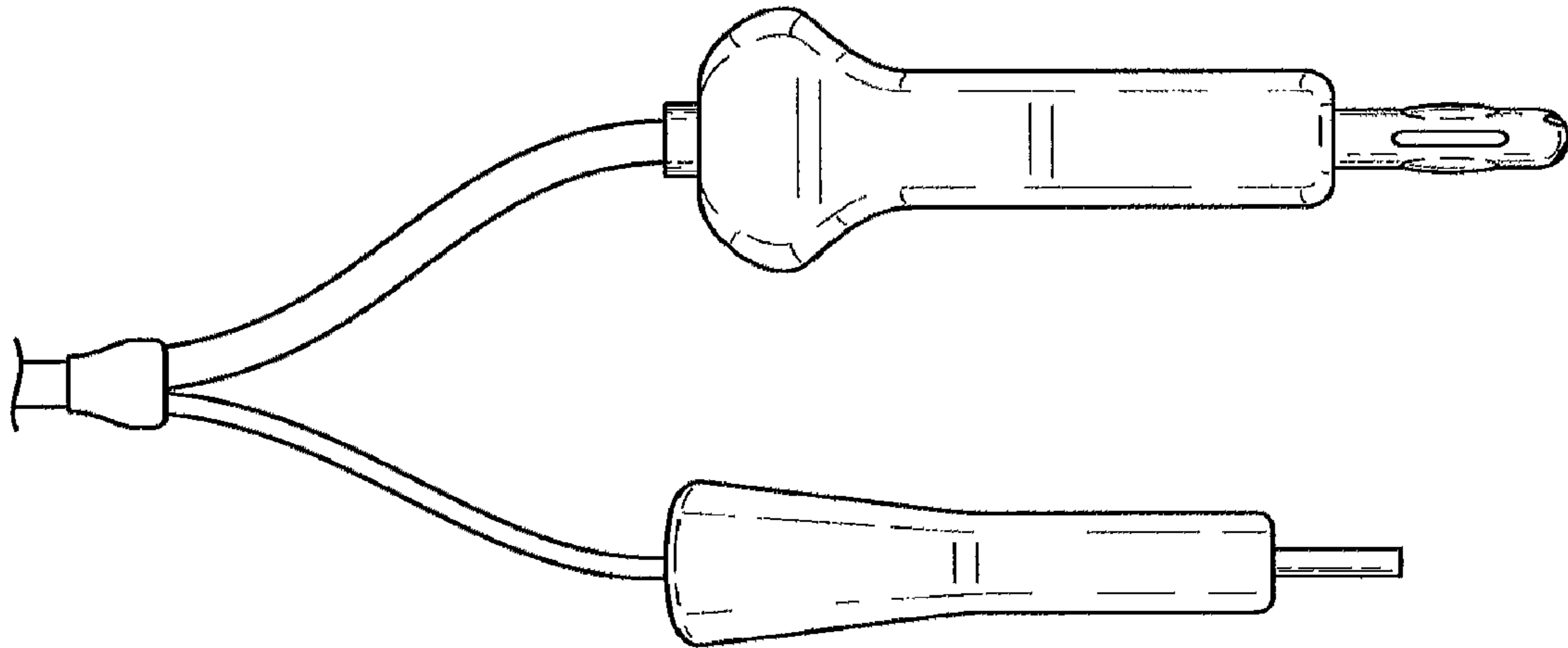


FIG. 11

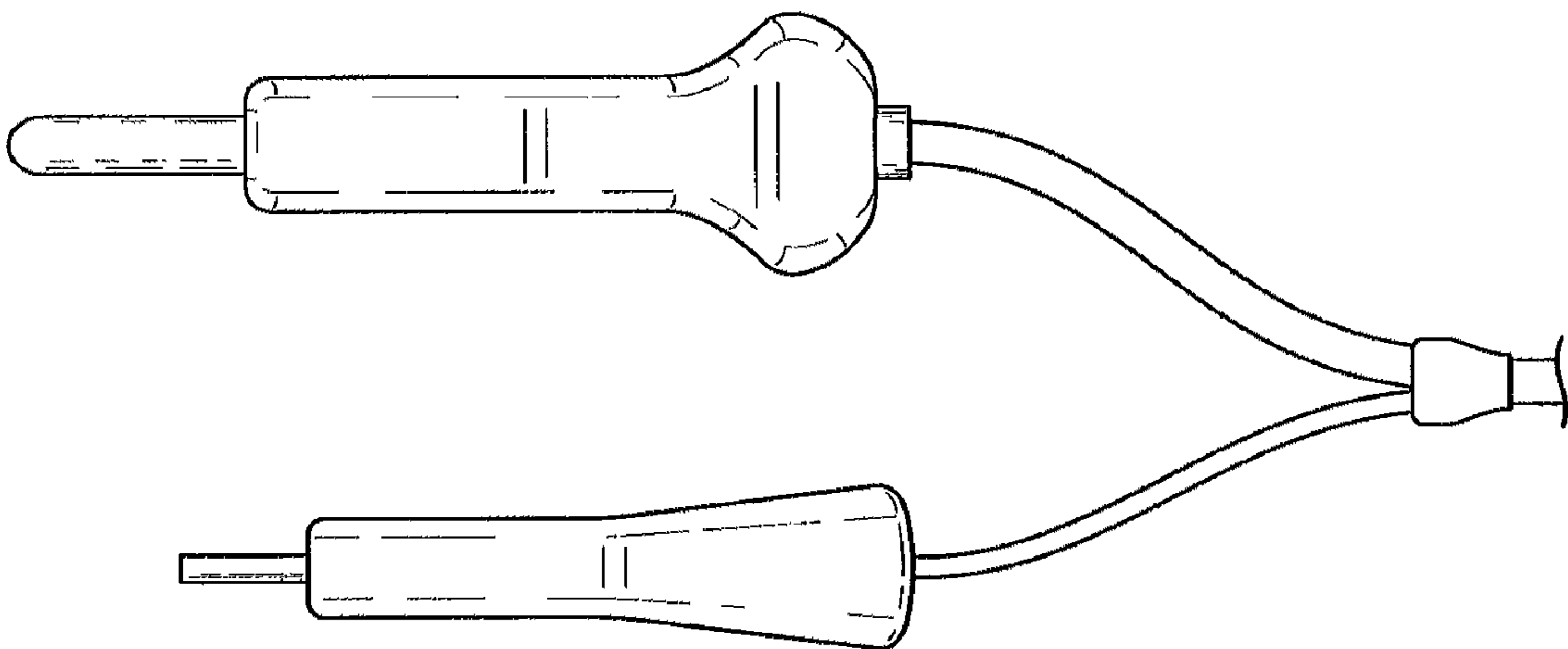


FIG. 12

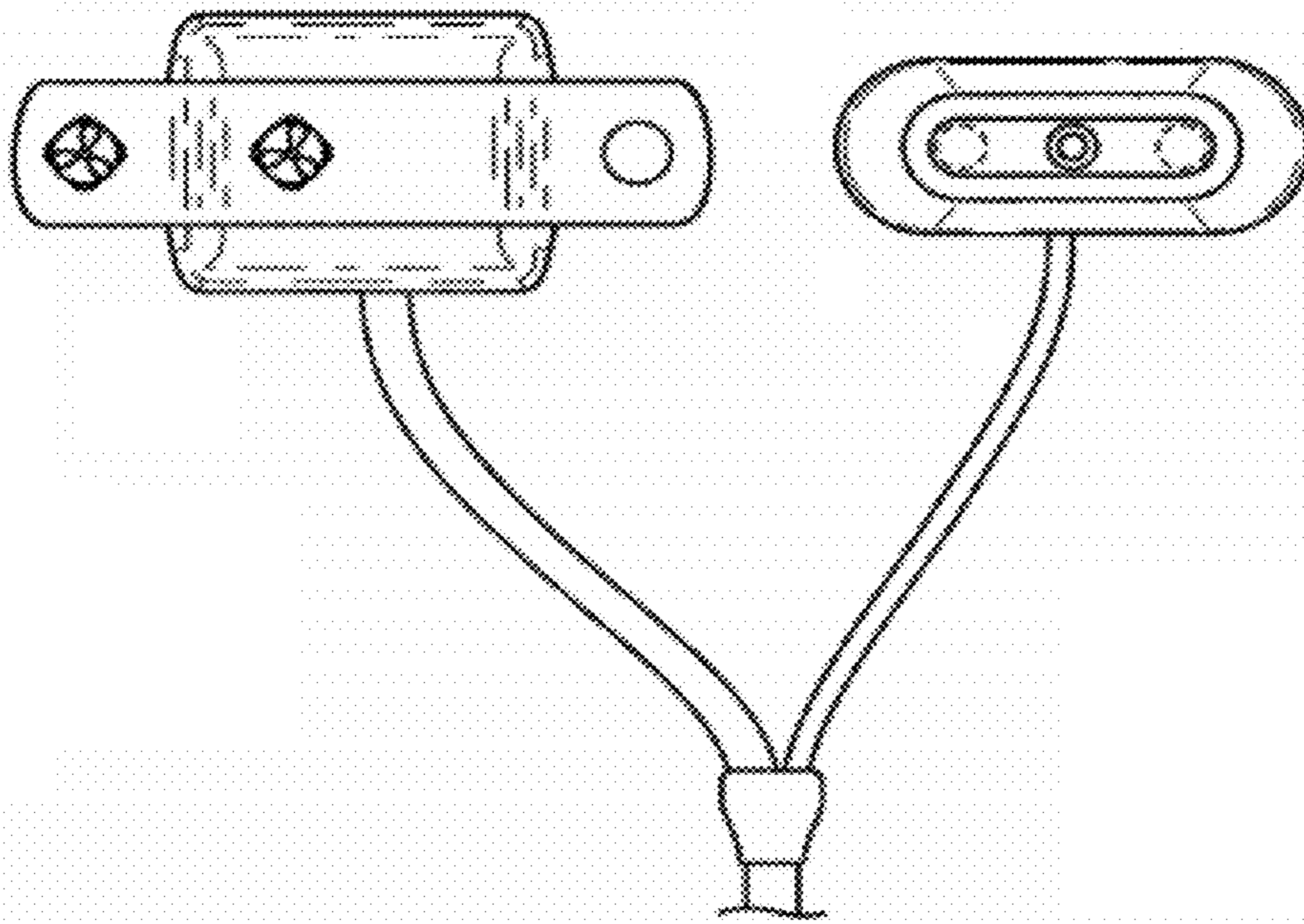


FIG. 13

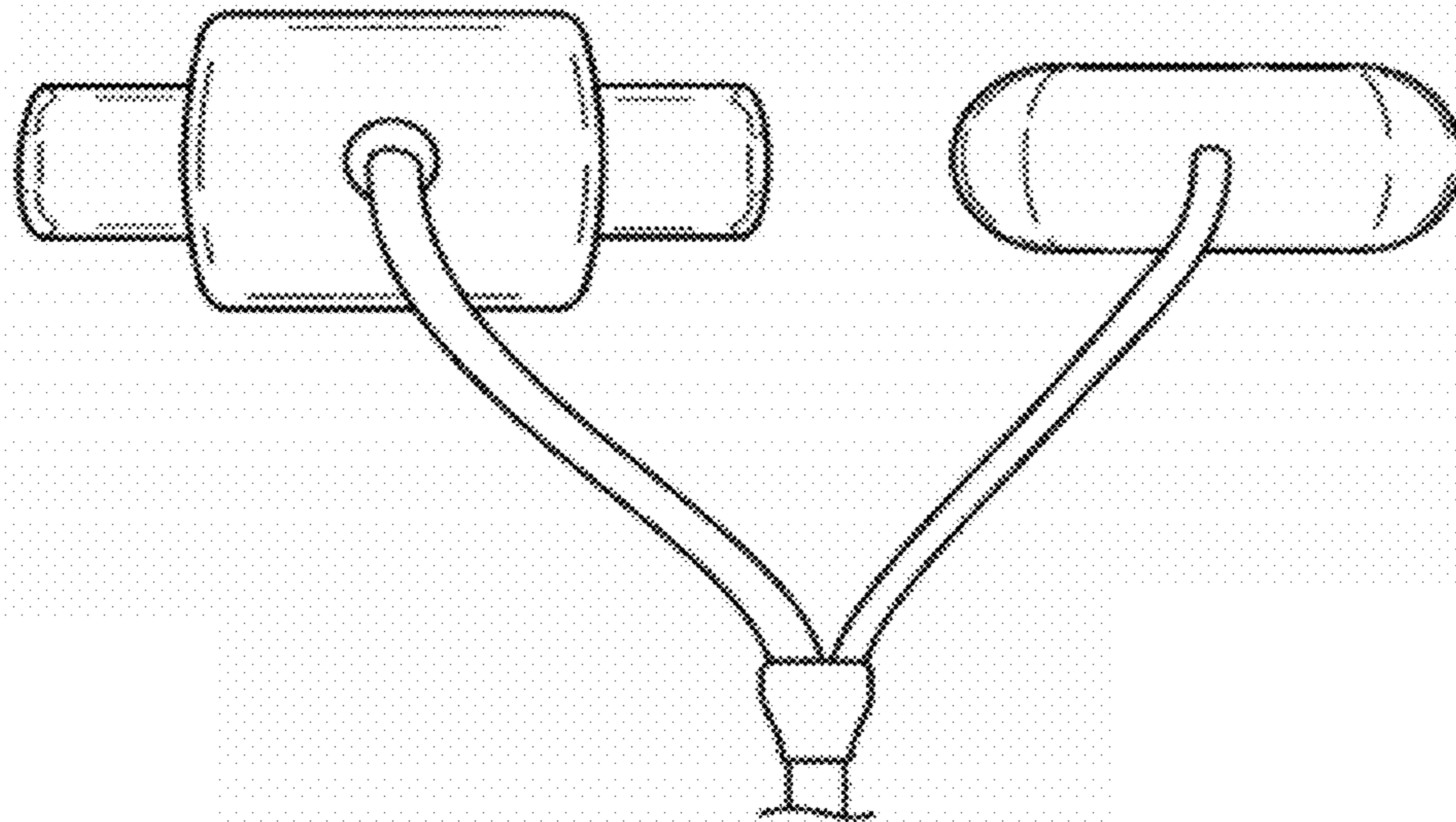


FIG. 14

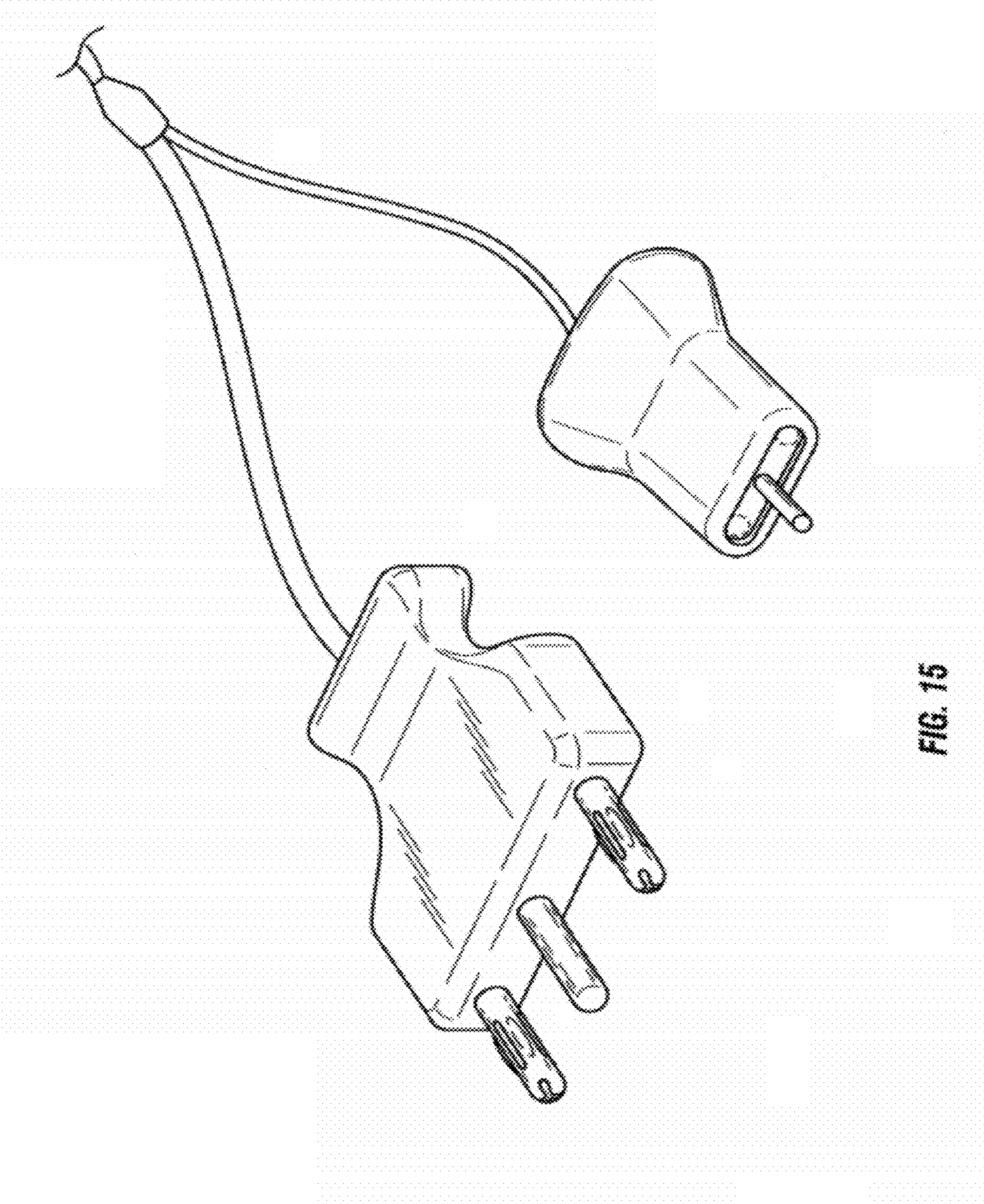


FIG. 15

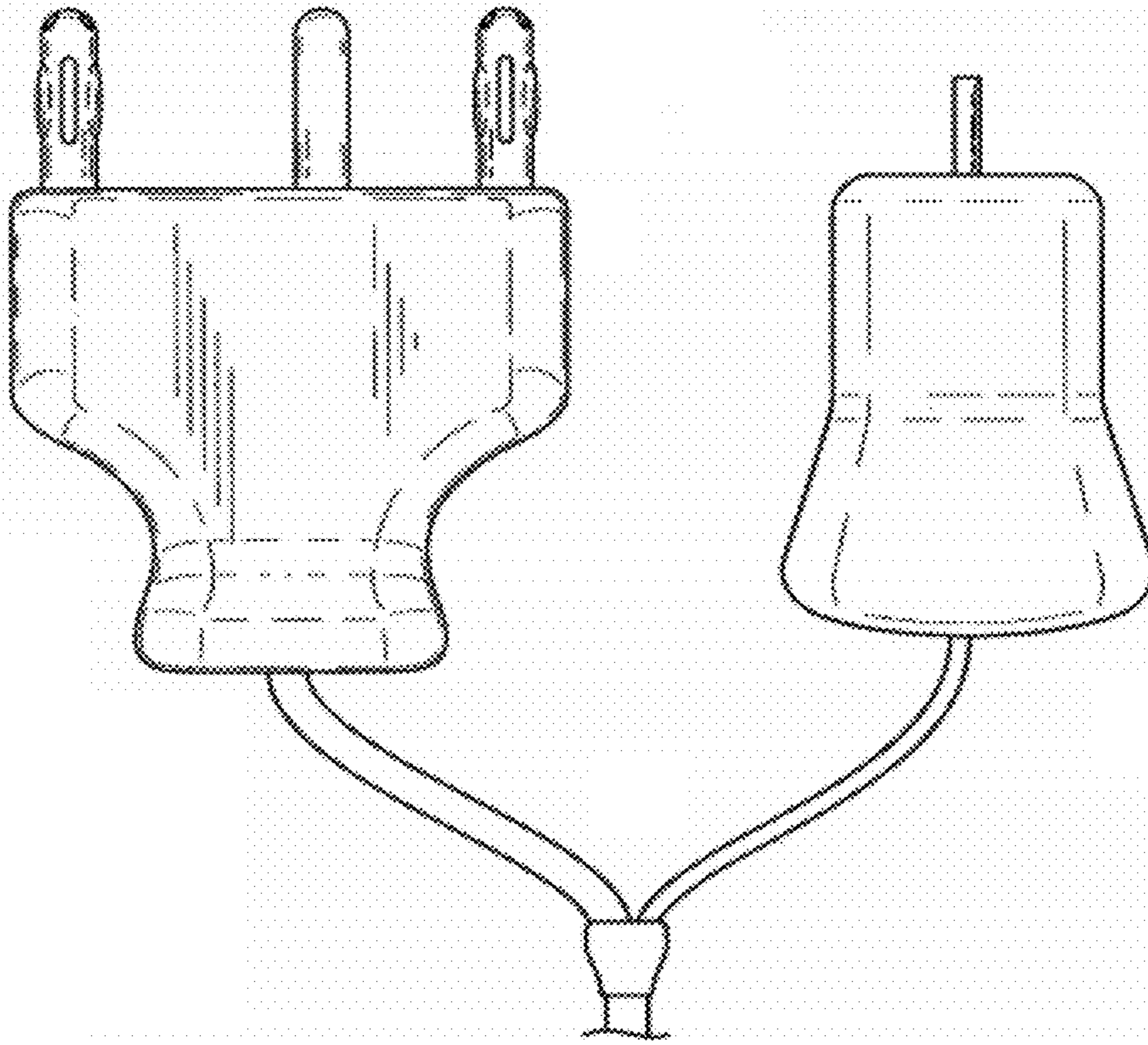


FIG. 16

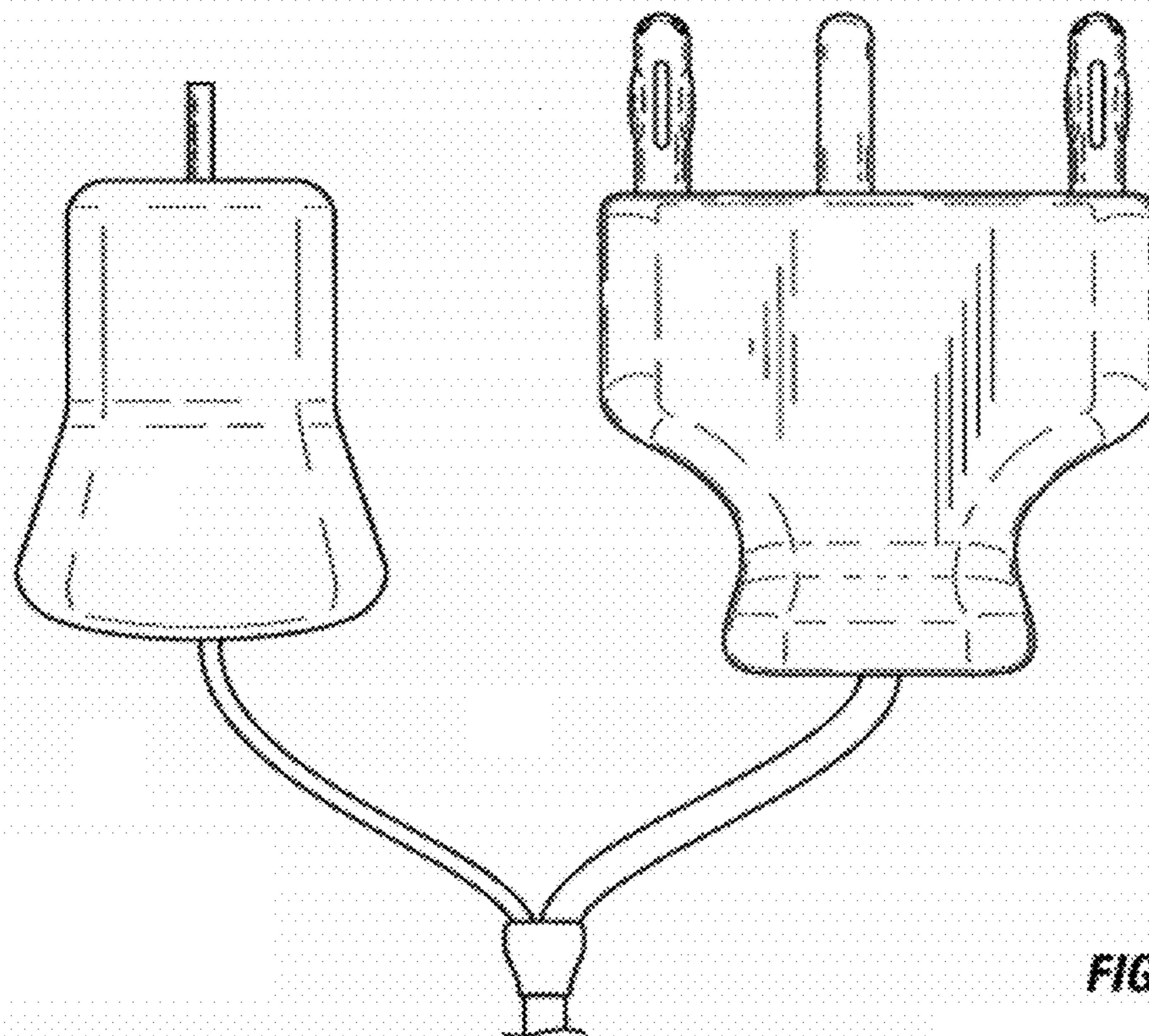


FIG. 17

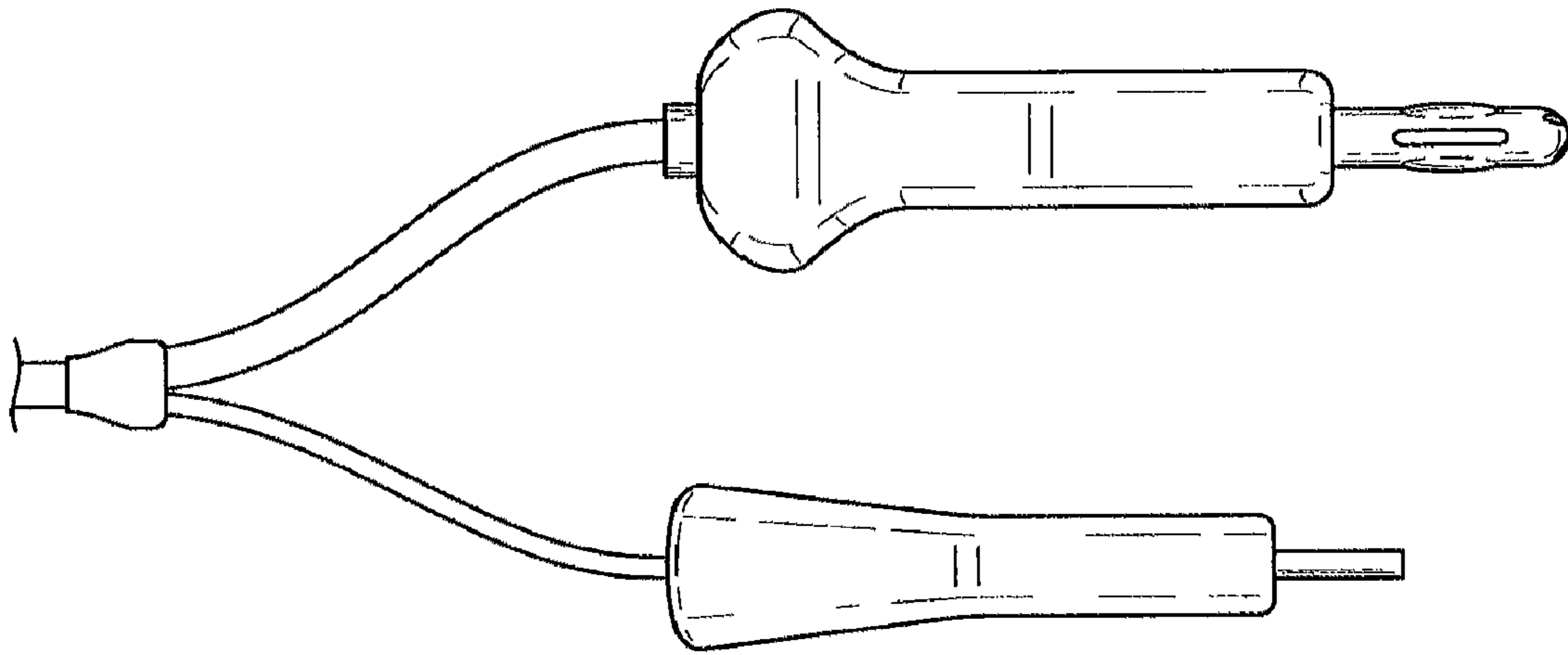


FIG. 18

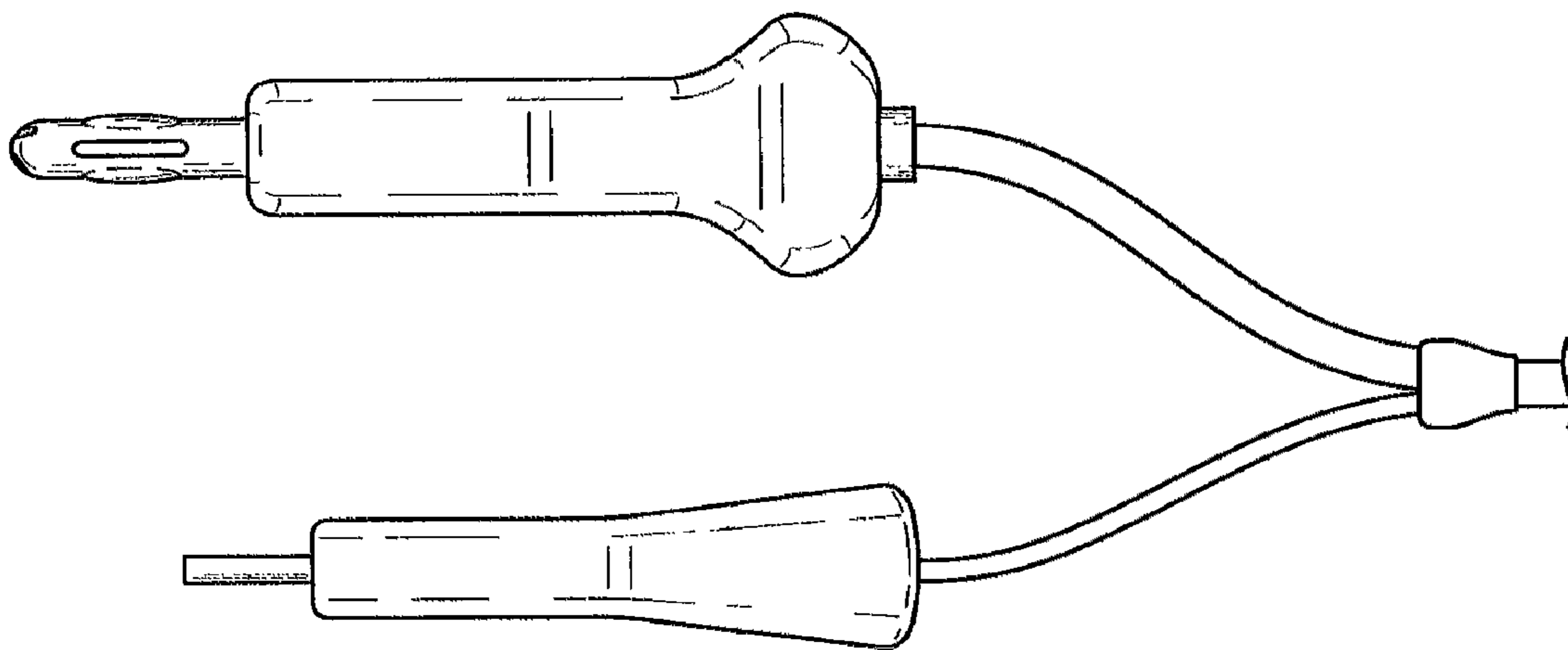


FIG. 19

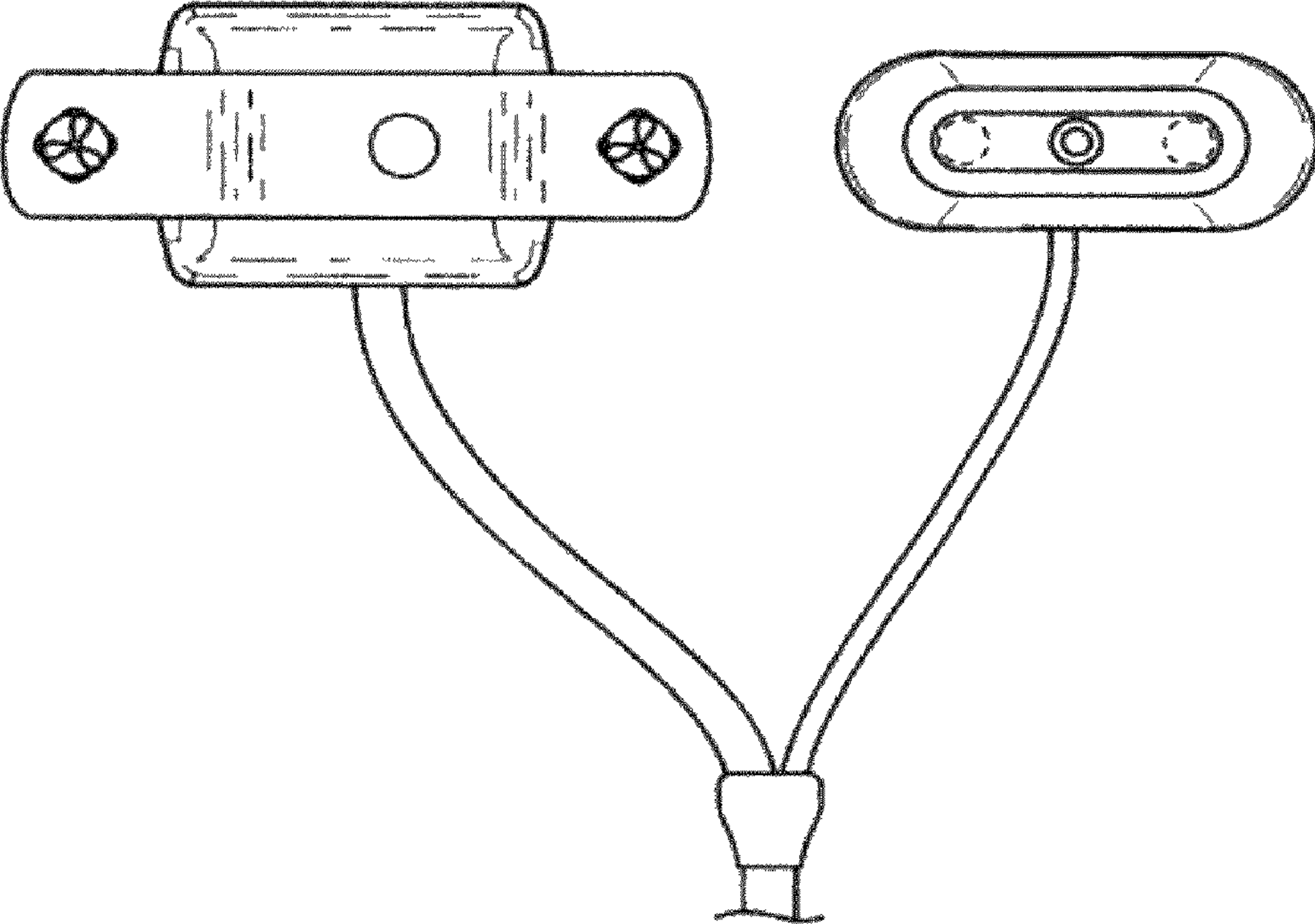


FIG. 20

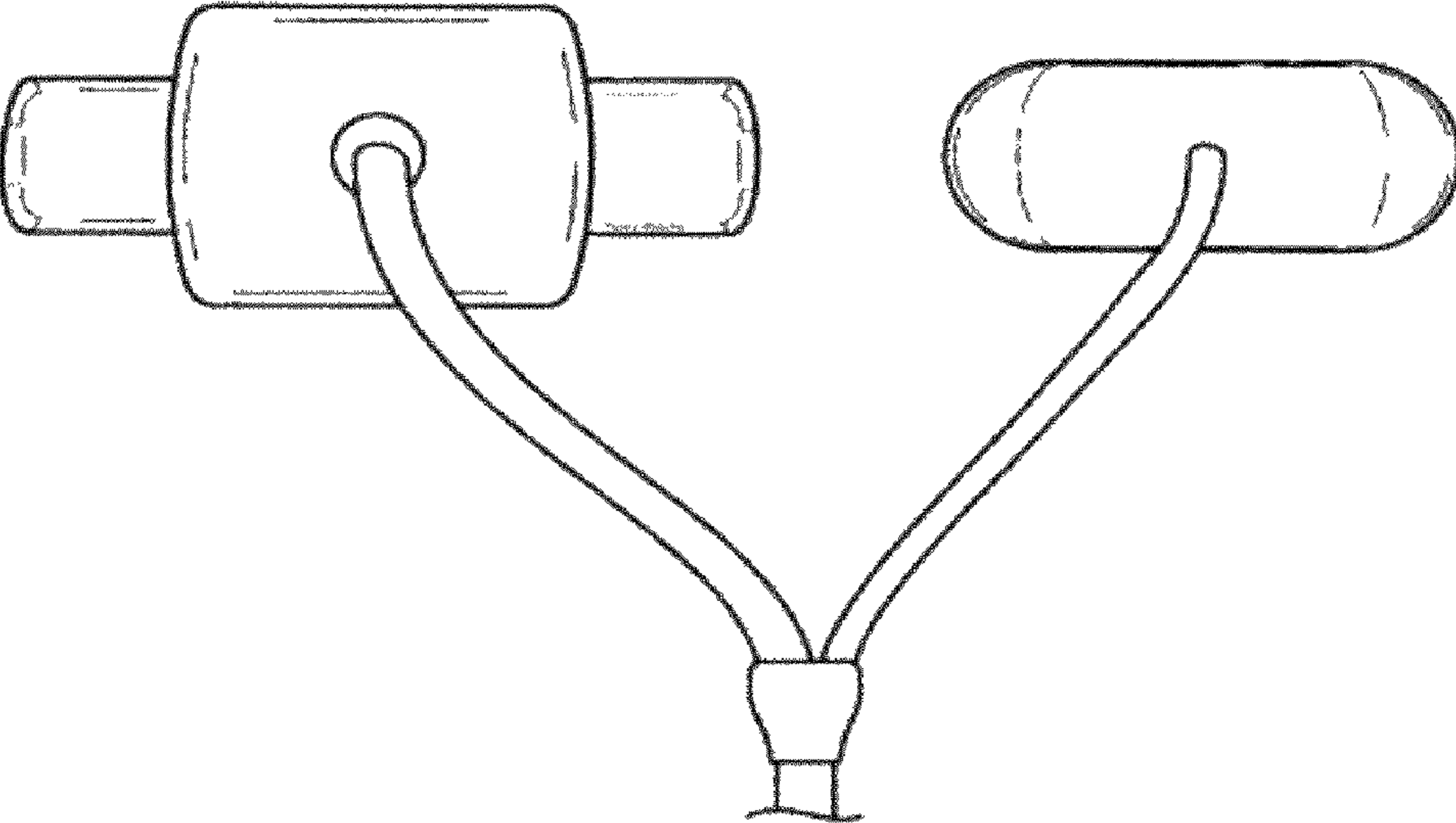


FIG. 21