



US00D661649S

(12) **United States Design Patent**
Andre et al.

(10) **Patent No.:** **US D661,649 S**
(45) **Date of Patent:** **** Jun. 12, 2012**

(54) **POWER ADAPTER**

(75) Inventors: **Bartley K. Andre**, Menlo Park, CA (US); **Daniel J. Coster**, San Francisco, CA (US); **Daniele De Iullis**, San Francisco, CA (US); **Richard P. Howarth**, San Francisco, CA (US); **Jonathan P. Ive**, San Francisco, CA (US); **Steve Jobs**, Palo Alto, CA (US); **Duncan Robert Kerr**, San Francisco, CA (US); **Matthew Dean Rohrbach**, San Francisco, CA (US); **Douglas B. Satzger**, Menlo Park, CA (US); **Calvin Q. Seid**, Palo Alto, CA (US); **Vincent Keane Seid**, legal representative, Los Gatos, CA (US); **Christopher J. Stringer**, Woodside, CA (US); **Eugene Antony Whang**, San Francisco, CA (US)

(73) Assignee: **Apple Inc.**, Cupertino, CA (US)

(**) Term: **14 Years**

(21) Appl. No.: **29/376,321**

(22) Filed: **Oct. 5, 2010**

Related U.S. Application Data

(60) Continuation of application No. 12/838,397, filed on Jul. 16, 2010, which is a division of application No. 10/125,893, filed on Apr. 18, 2002, now abandoned, which is a continuation of application No. 29/153,133, filed on Oct. 22, 2001, now Pat. No. Des. 478,546, which is a continuation-in-part of application No. 29/145,957, filed on Jul. 31, 2001, now Pat. No. Des. 478,310.

(51) **LOC (9) Cl.** **13-02**

(52) **U.S. Cl.** **D13/110**

(58) **Field of Classification Search** D13/110, D13/107, 108, 123, 133, 137.1, 138.1, 199; 174/53, 54, 59, 61; 307/150, 151; 320/111, 320/114; 363/132, 140, 142, 143, 146; 439/105, 439/131, 166, 171-173, 218, 518, 692, 956; D14/240, 251, 253, 432, 433, 434

See application file for complete search history.

(56) **References Cited**

U.S. PATENT DOCUMENTS

5,634,806 A * 6/1997 Hahn 439/173
(Continued)

FOREIGN PATENT DOCUMENTS

GB 7927747 3/1981

OTHER PUBLICATIONS

U.S. Appl. No. 29/376,090, filed Oct. 1, 2010, entitled "Power Adapter".

Primary Examiner — Derrick Holland

(74) *Attorney, Agent, or Firm* — SAIDMAN DesignLaw Group

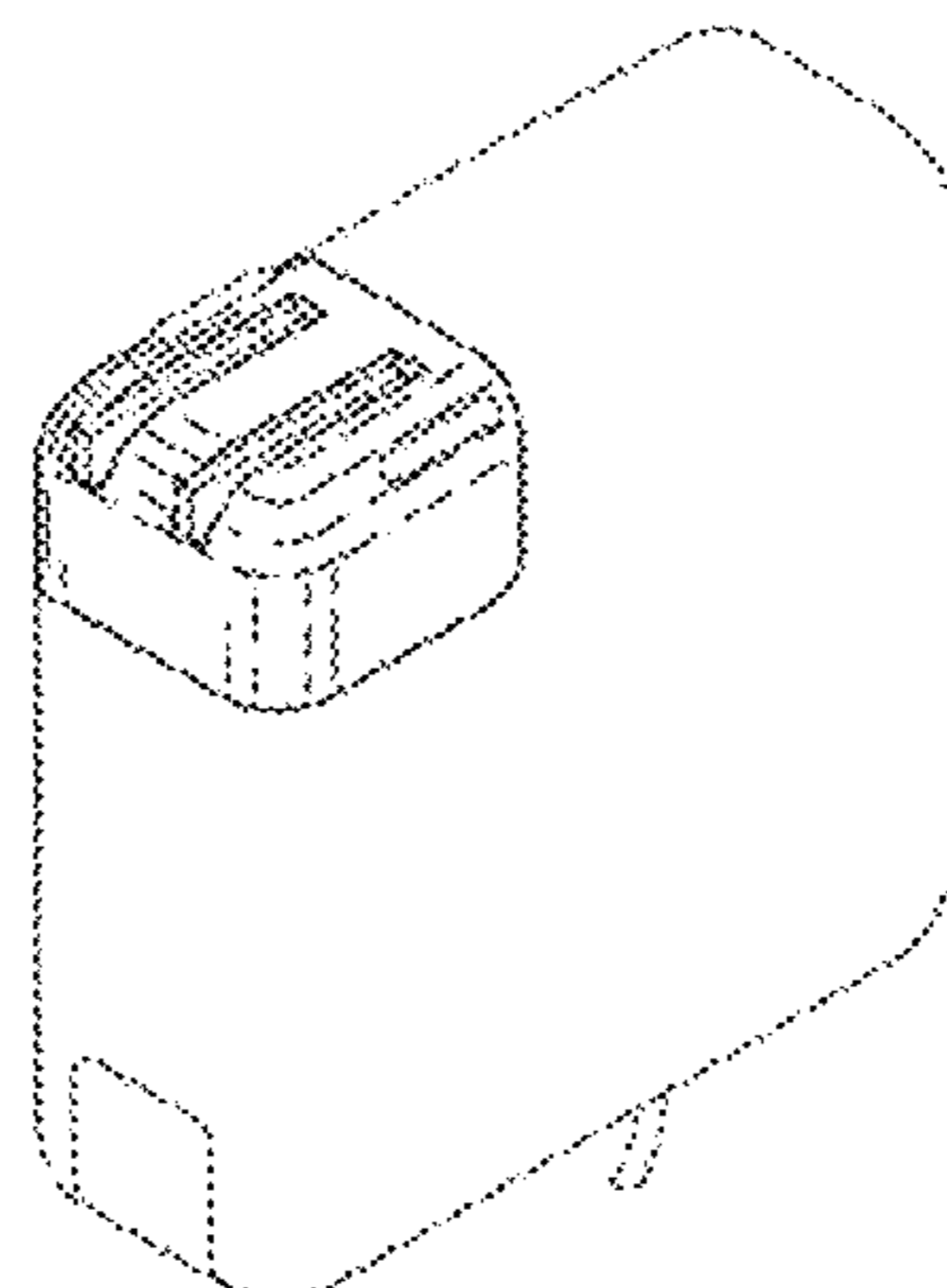
(57) **CLAIM**

The ornamental design for a power adapter, as shown and described.

DESCRIPTION

FIG. 1 is a perspective view of a power adapter showing our new design;
FIG. 2 is a right side view thereof;
FIG. 3 is a rear view thereof;
FIG. 4 is a left side view thereof;
FIG. 5 is a front view thereof;
FIG. 6 is a top view thereof;
FIG. 7 is a bottom view thereof;
FIG. 8 is a perspective view of the adapter plug shown removed from the adapter body;
FIG. 9 is a right side view thereof, the left side view being a mirror image;
FIG. 10 is a rear view thereof;
FIG. 11 is a bottom view thereof;
FIG. 12 is a perspective view of a second embodiment thereof;
FIG. 13 is a right side view thereof, the left side view being a mirror image;
FIG. 14 is a rear view thereof;
FIG. 15 is a bottom view thereof;
FIG. 16 is a perspective view of a third embodiment thereof;
FIG. 17 is a right side view thereof, the left side view being a mirror image;
FIG. 18 is a rear view thereof; and,
FIG. 19 is a bottom view thereof.
The broken lines illustrate portions of the power adapter and form no part of the claimed design.

1 Claim, 7 Drawing Sheets



US D661,649 S

Page 2

U.S. PATENT DOCUMENTS

D498,462 S	11/2004	Andre et al.		D610,994 S	3/2010	Fahrendorff et al.	
D503,679 S *	4/2005	Andre et al.	D13/110	D617,275 S	6/2010	Fahrendorff et al.	
D544,833 S *	6/2007	Sade et al.	D13/108	D621,782 S *	8/2010	Chang et al.	D13/138.1
D596,562 S *	7/2009	Hong et al.	D13/110	7,794,251 B2	9/2010	Wen et al.	
D602,430 S *	10/2009	Green et al.	D13/110				

* cited by examiner

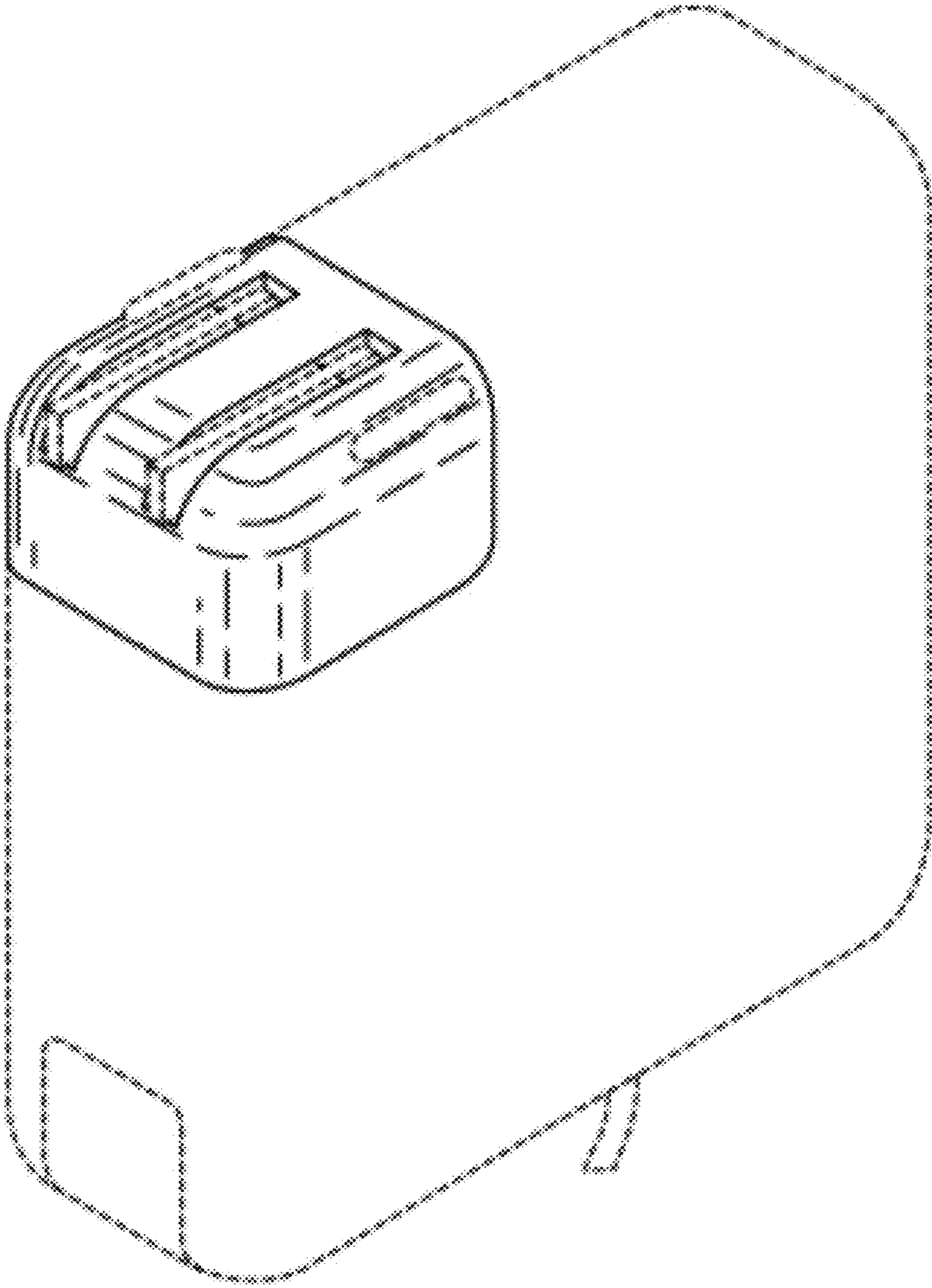


FIG. 1

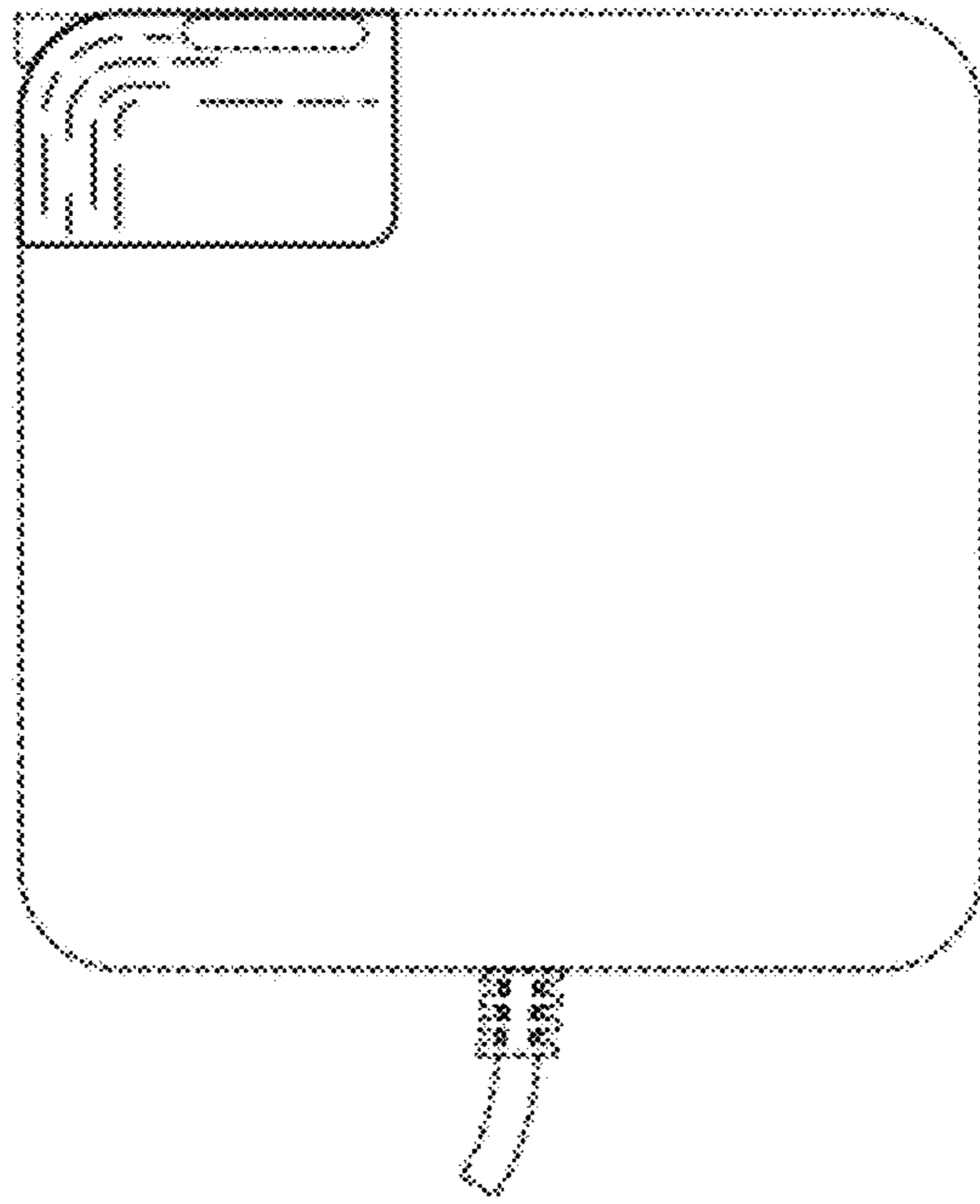


FIG. 2

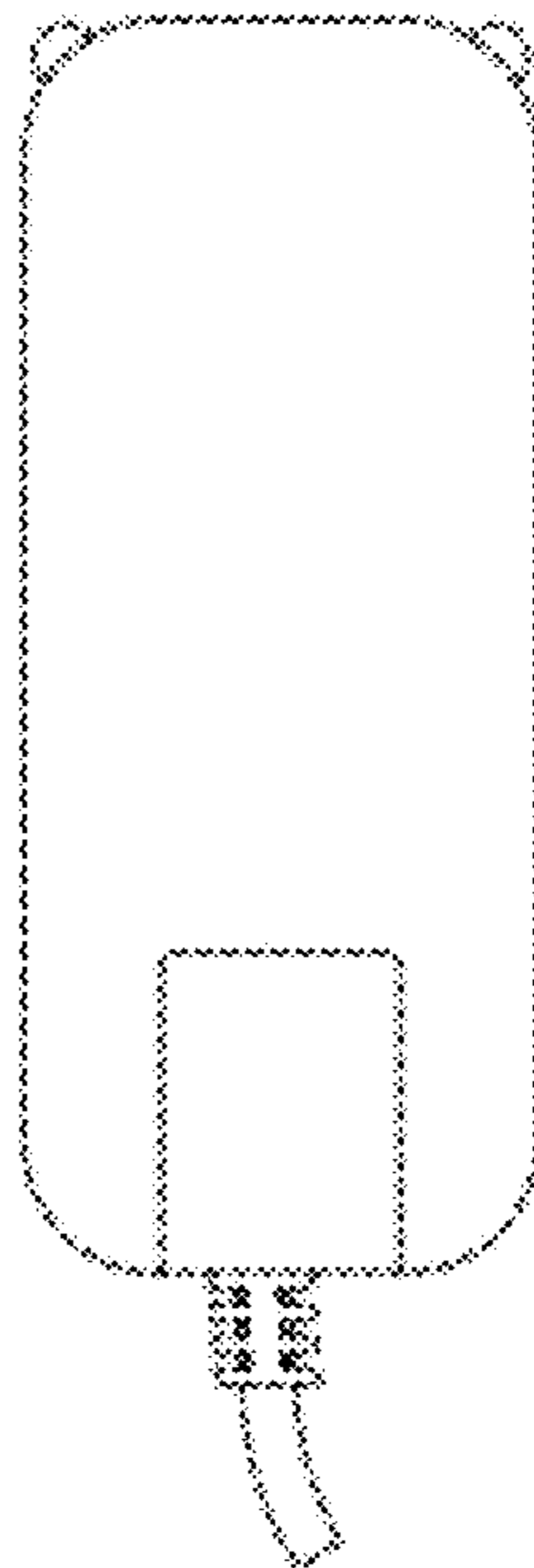


FIG. 3

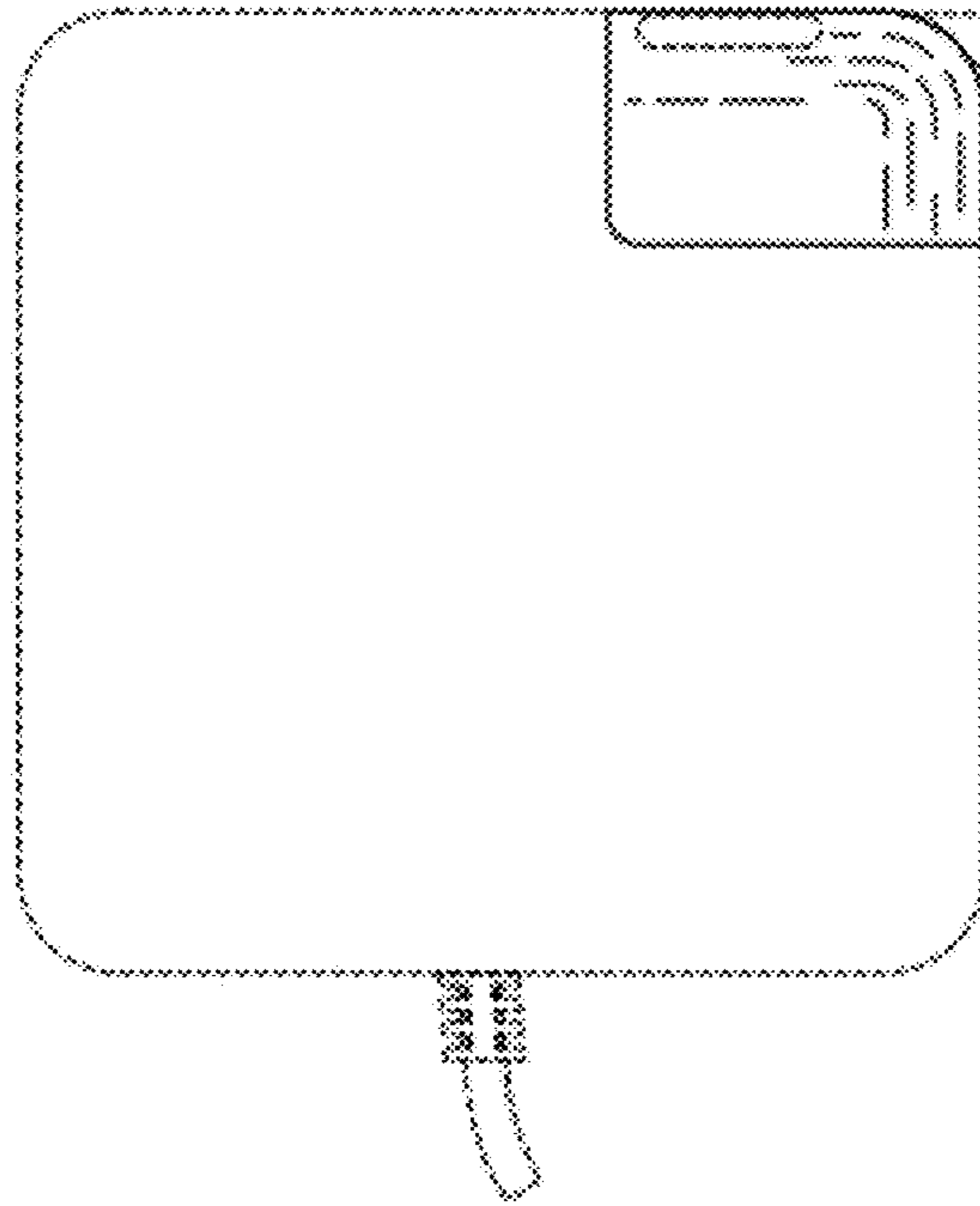


FIG. 4

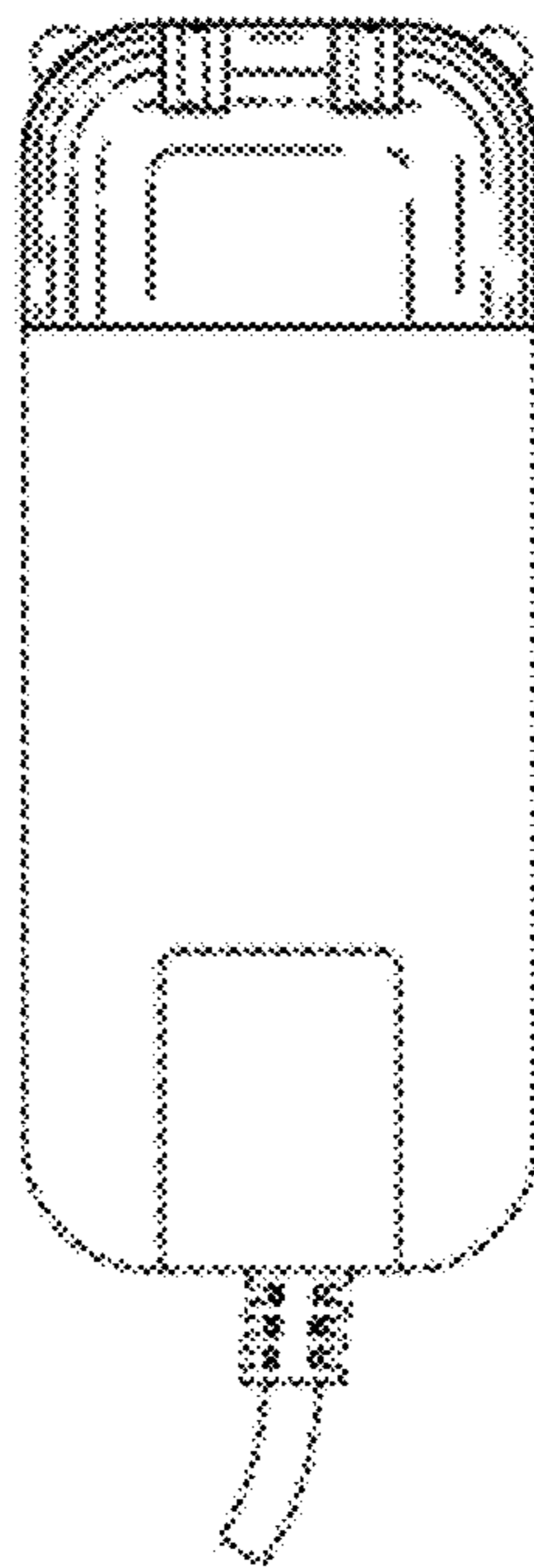


FIG. 5

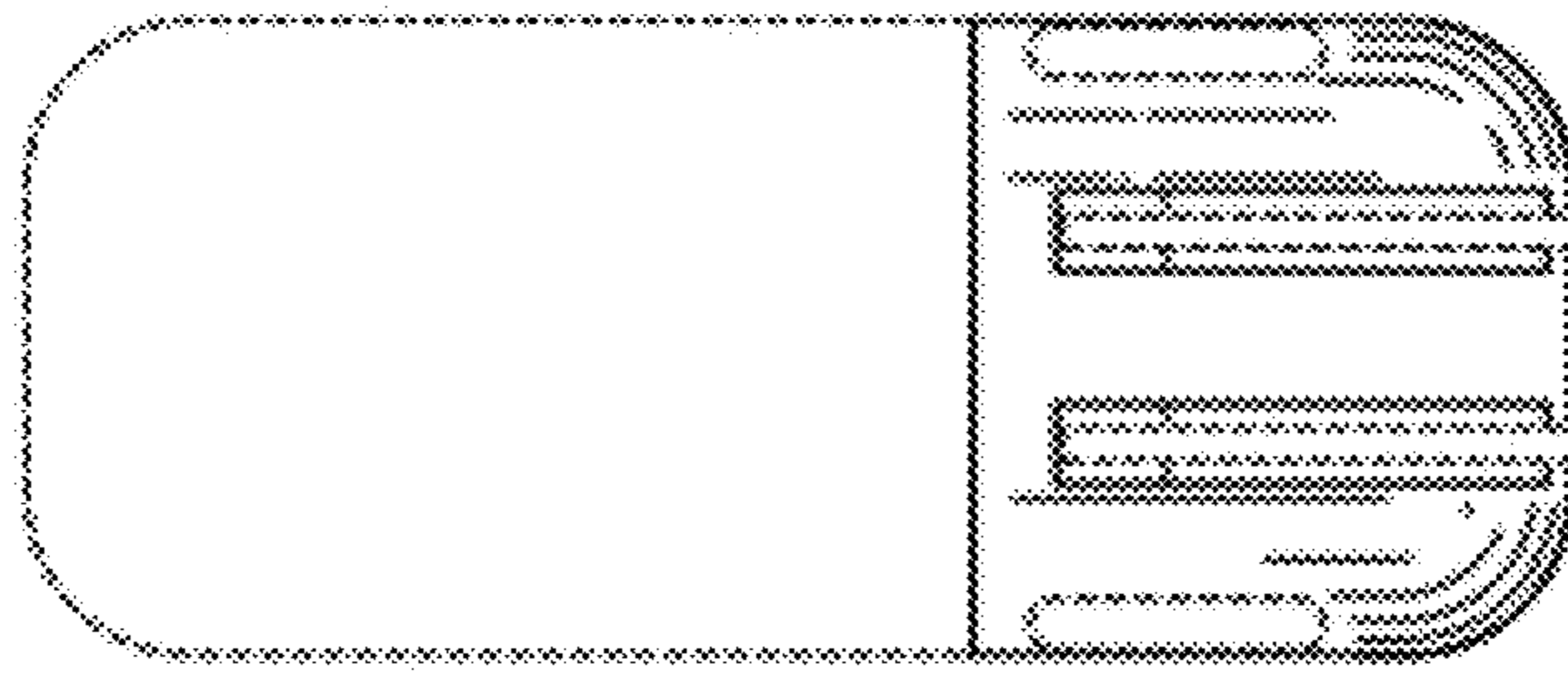


FIG. 6

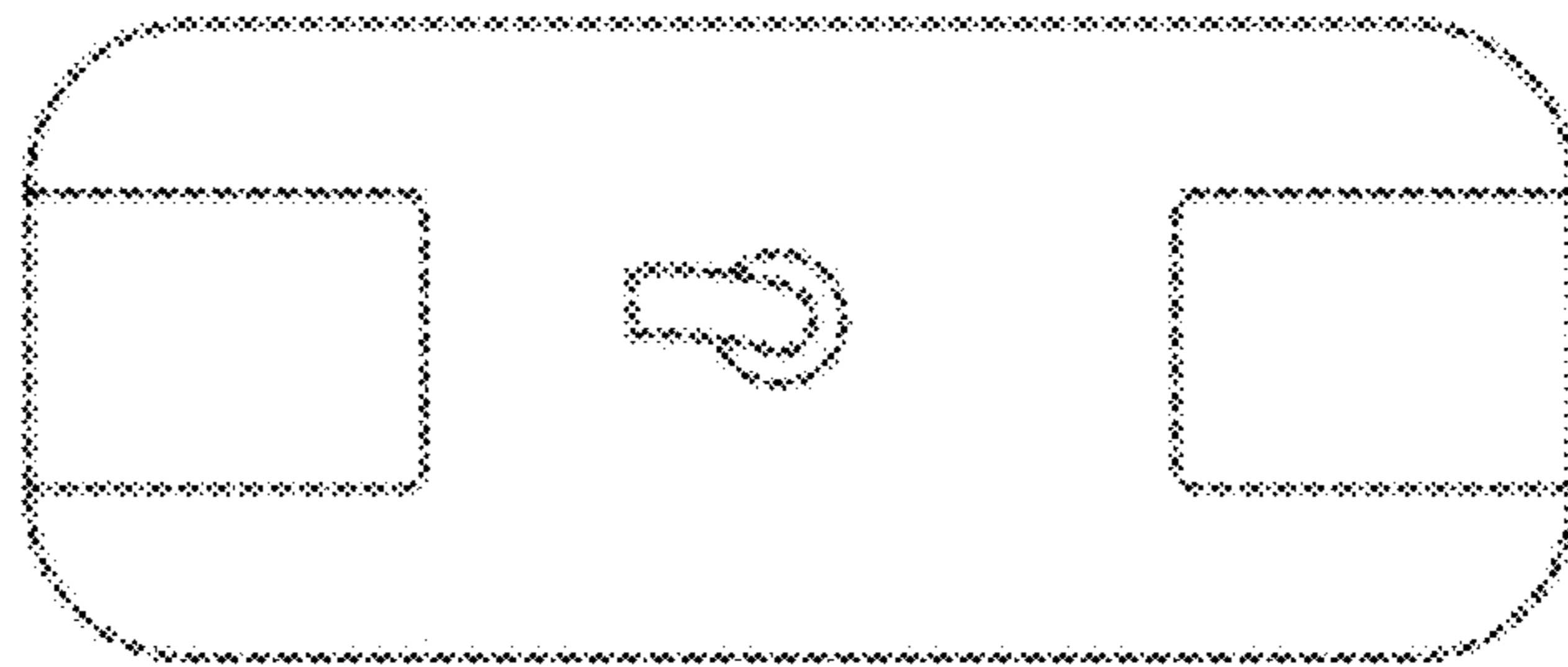


FIG. 7

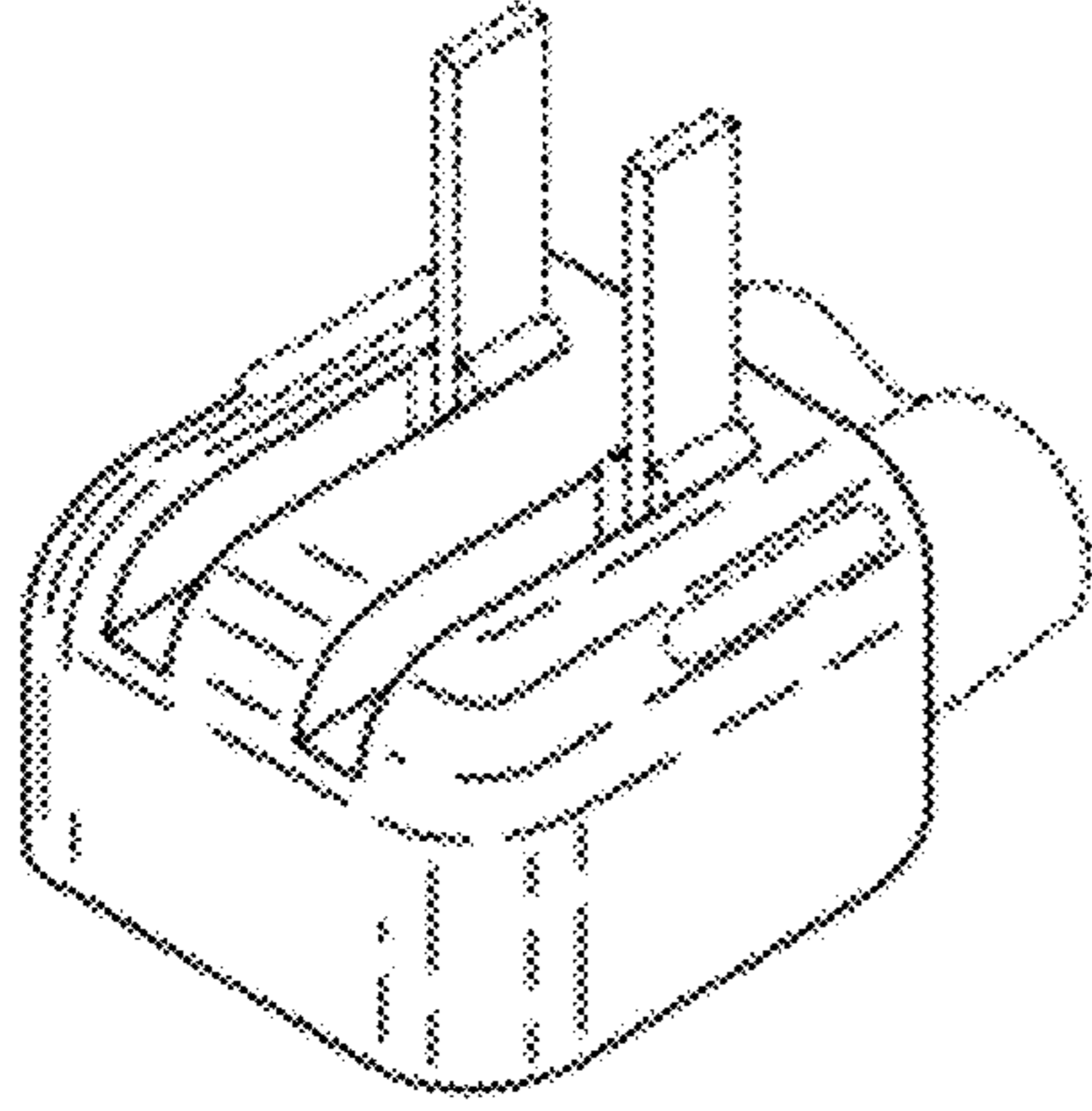


FIG. 8

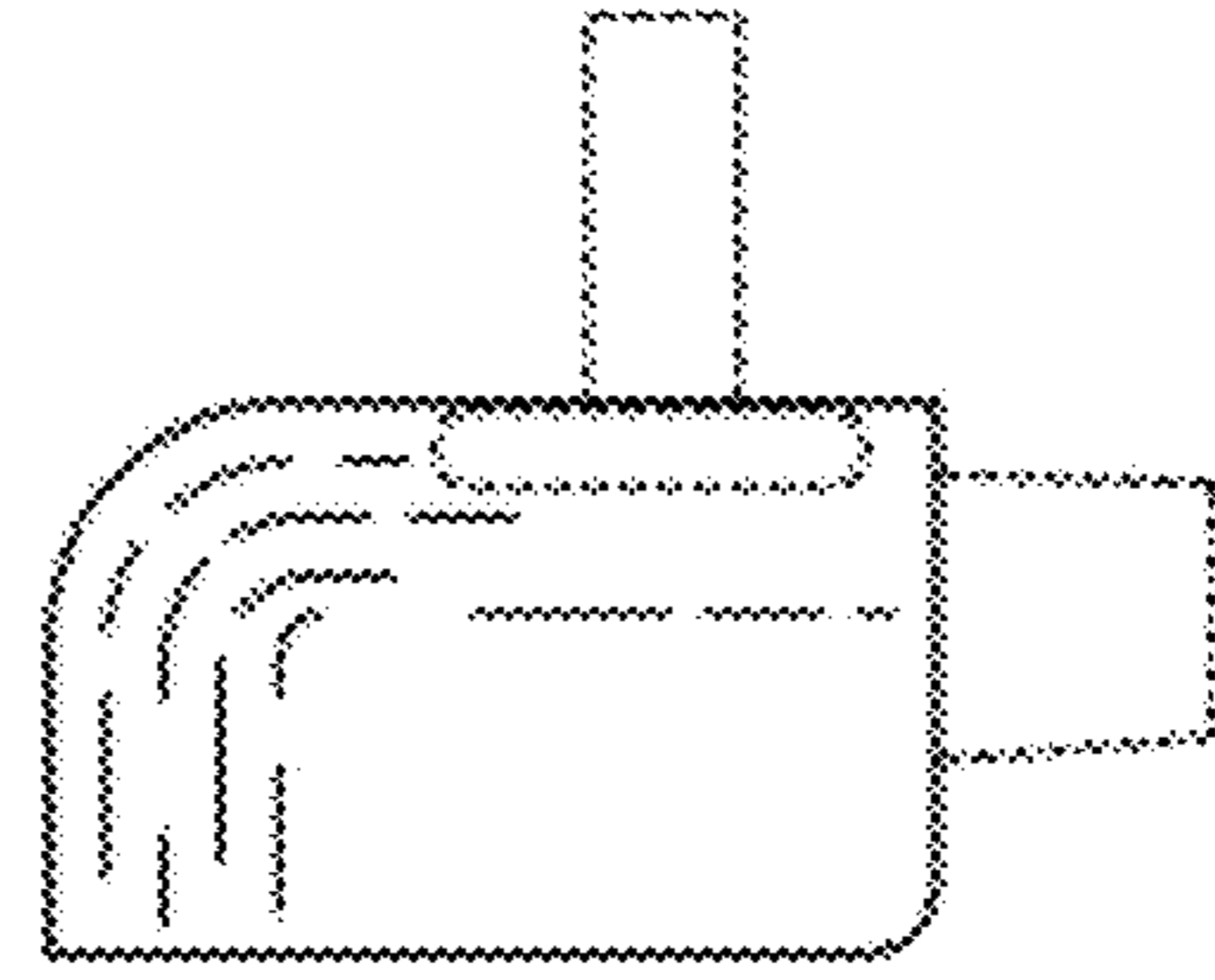


FIG. 9

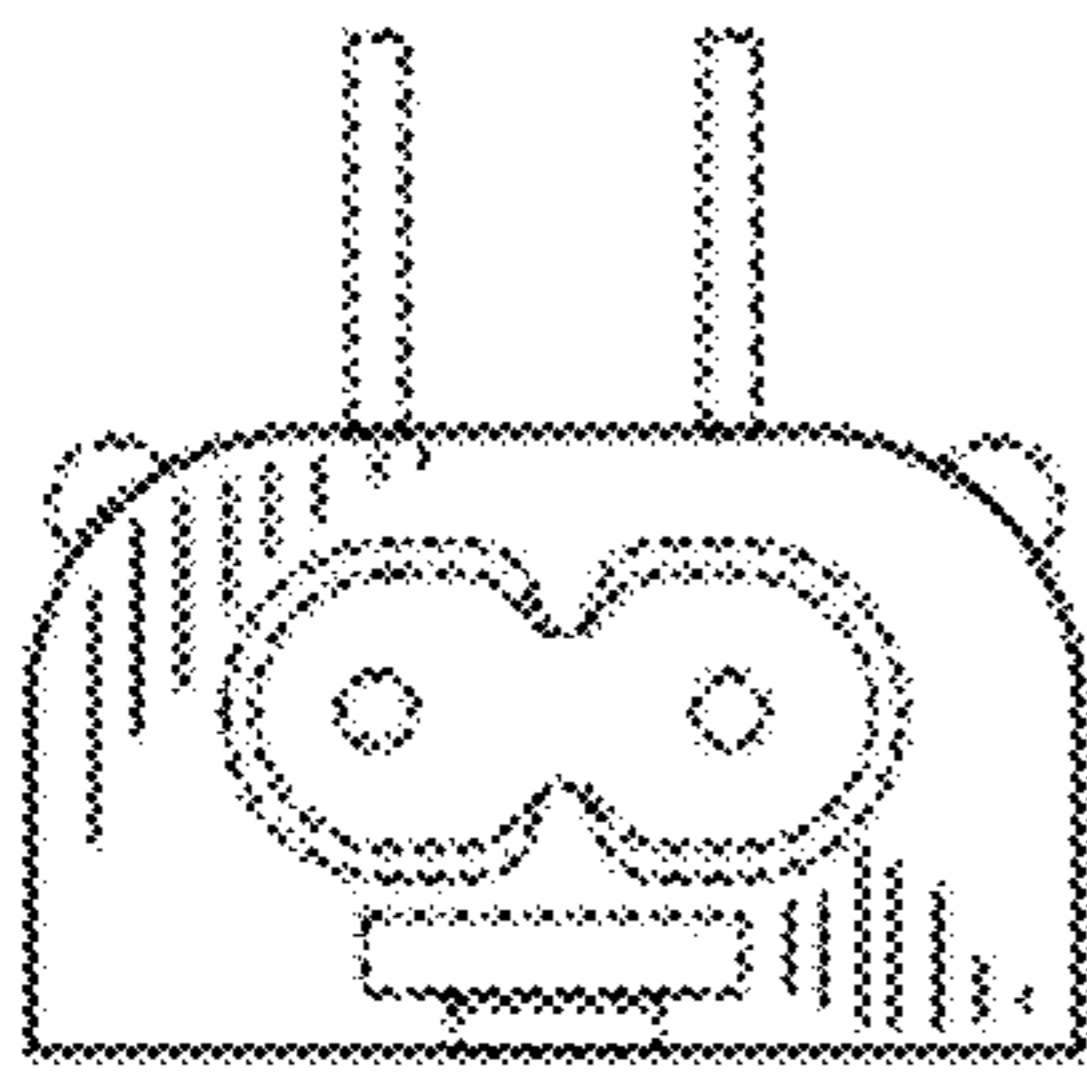


FIG. 10

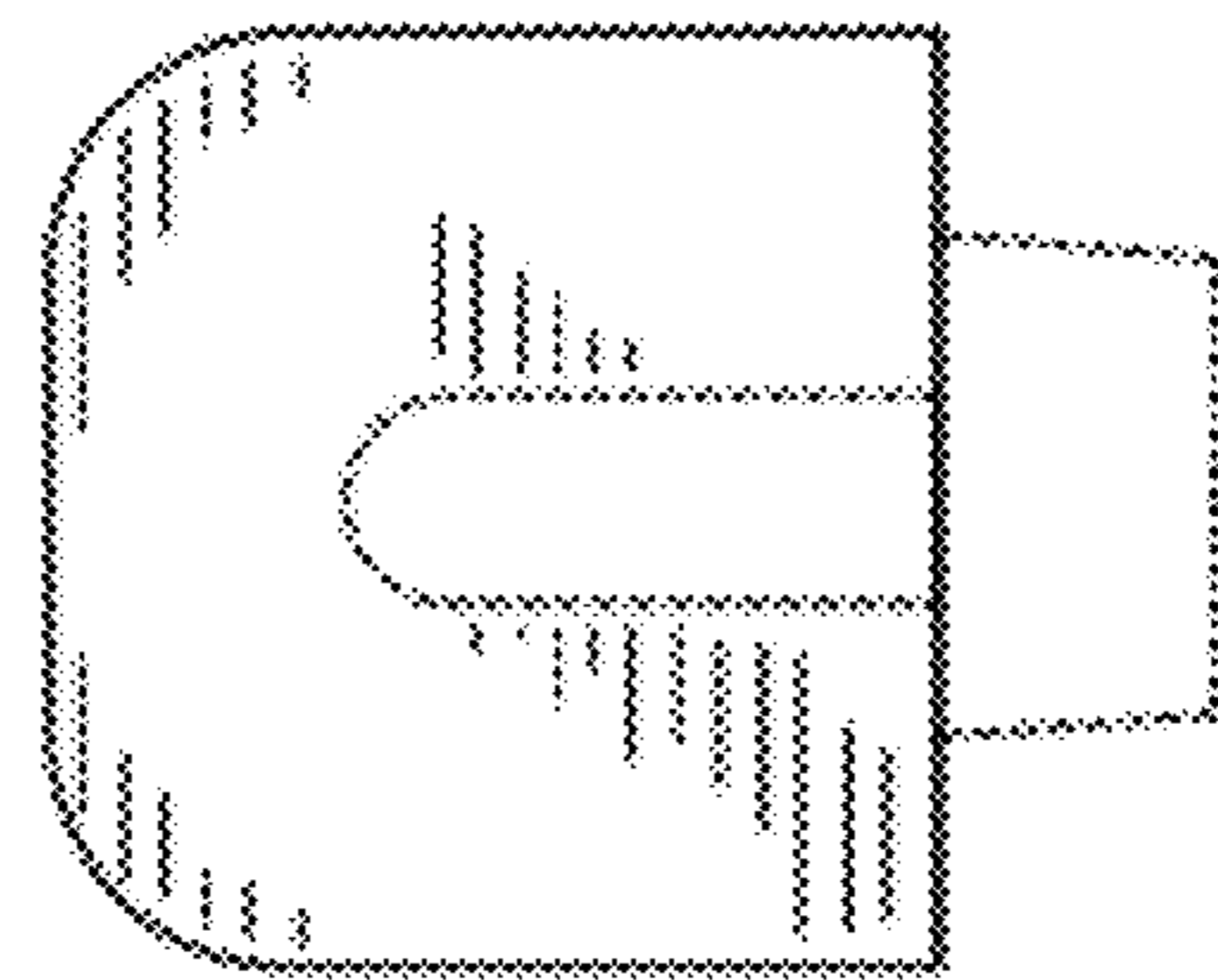


FIG. 11

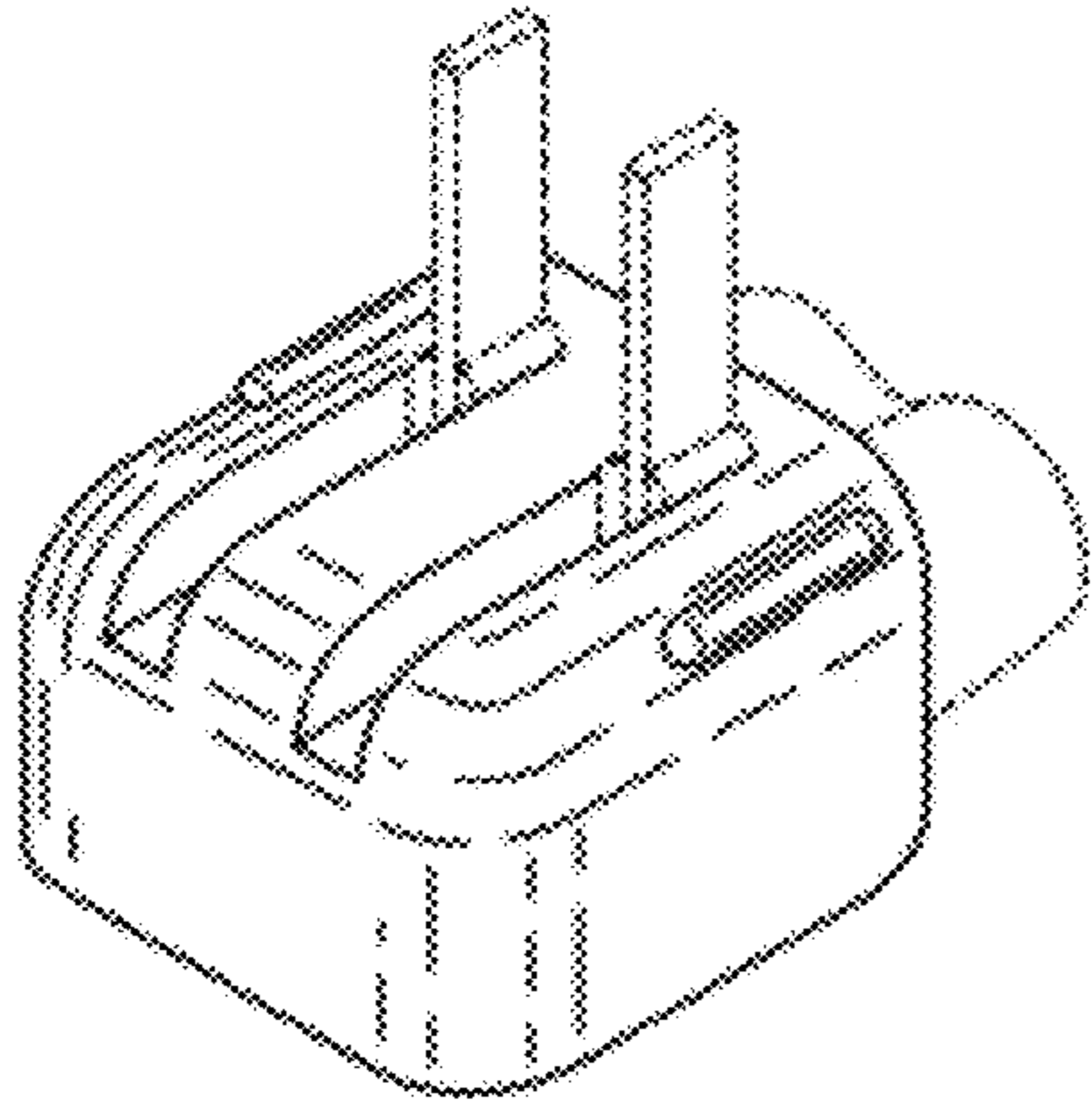


FIG. 12

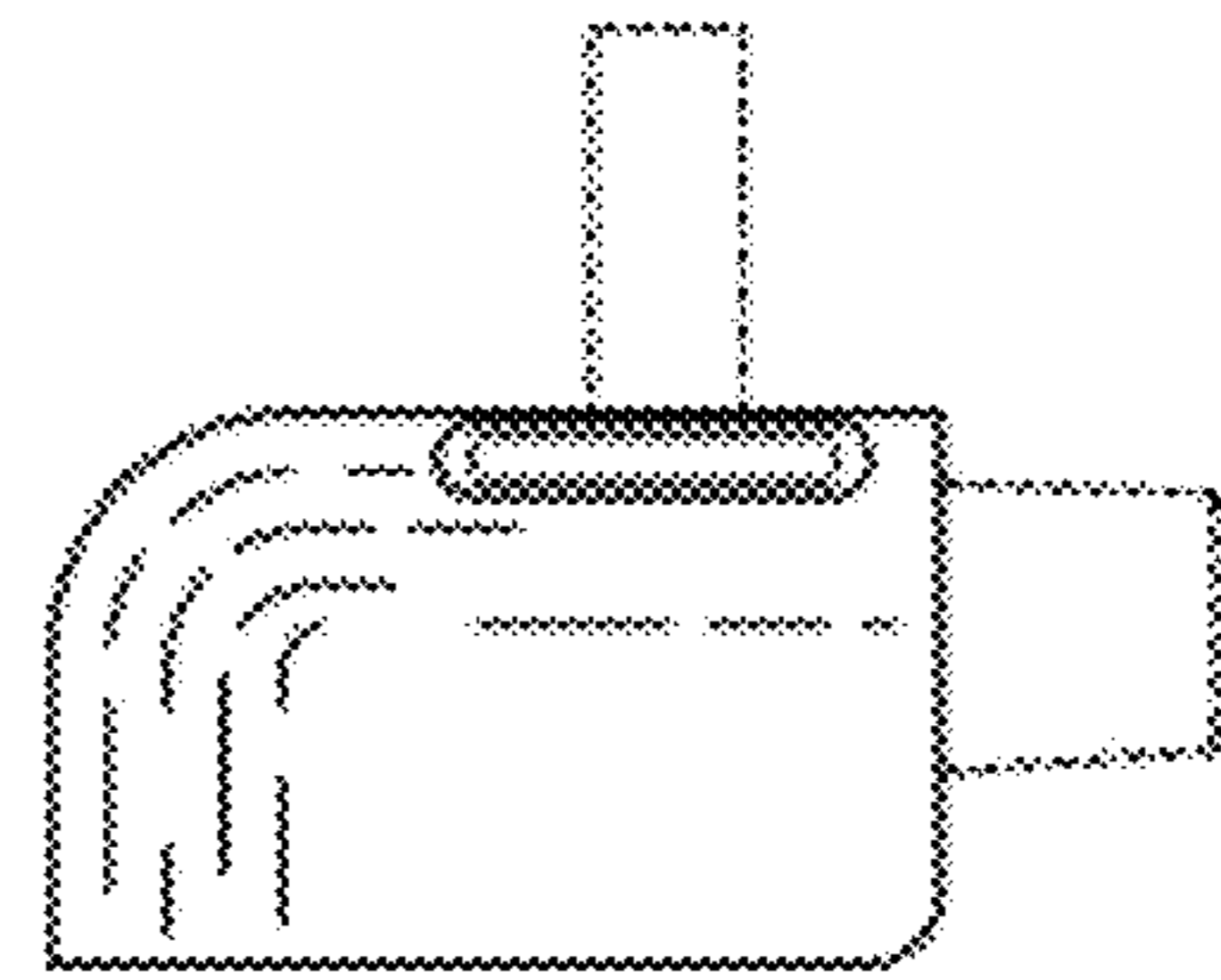


FIG. 13

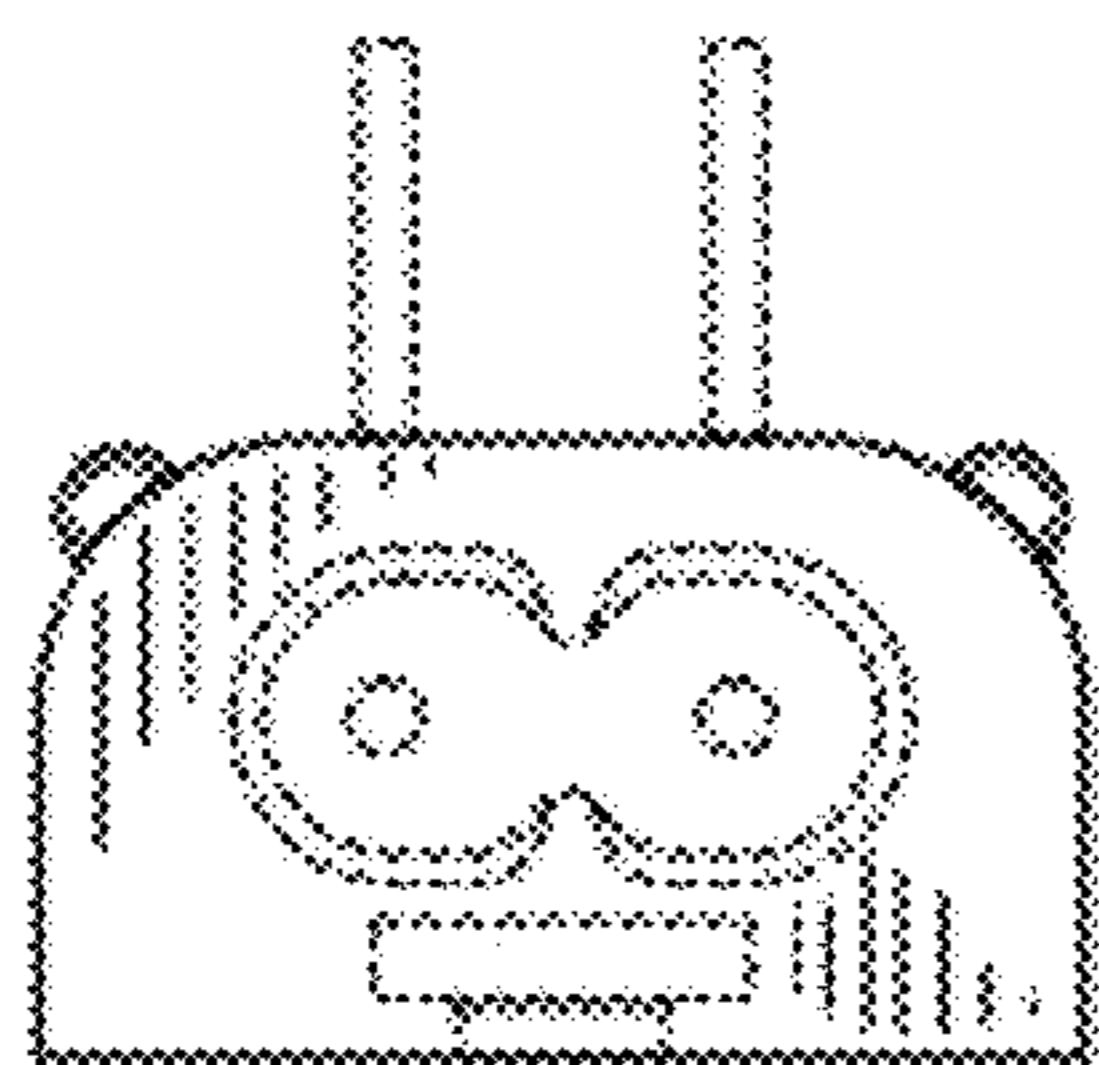


FIG. 14

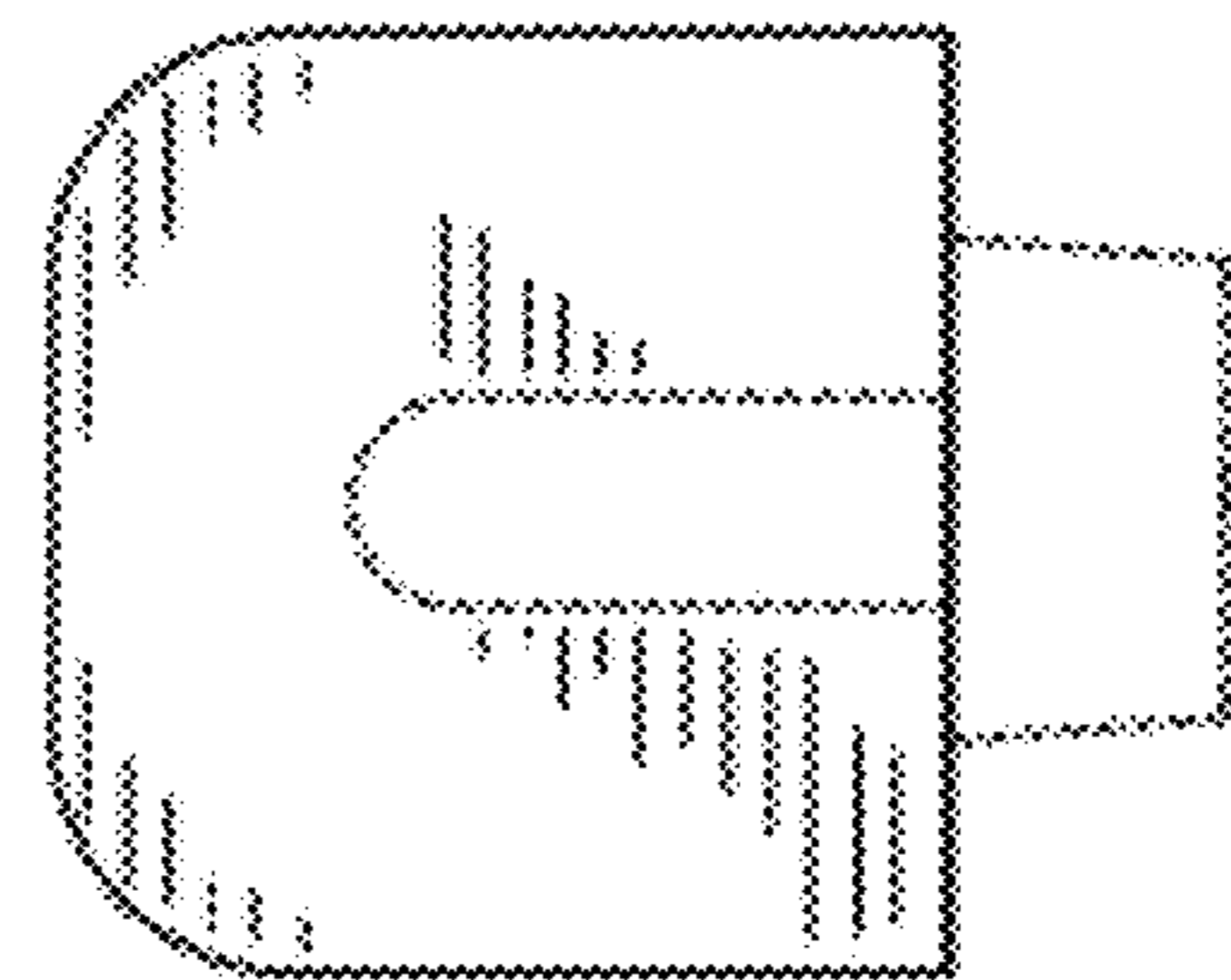


FIG. 15

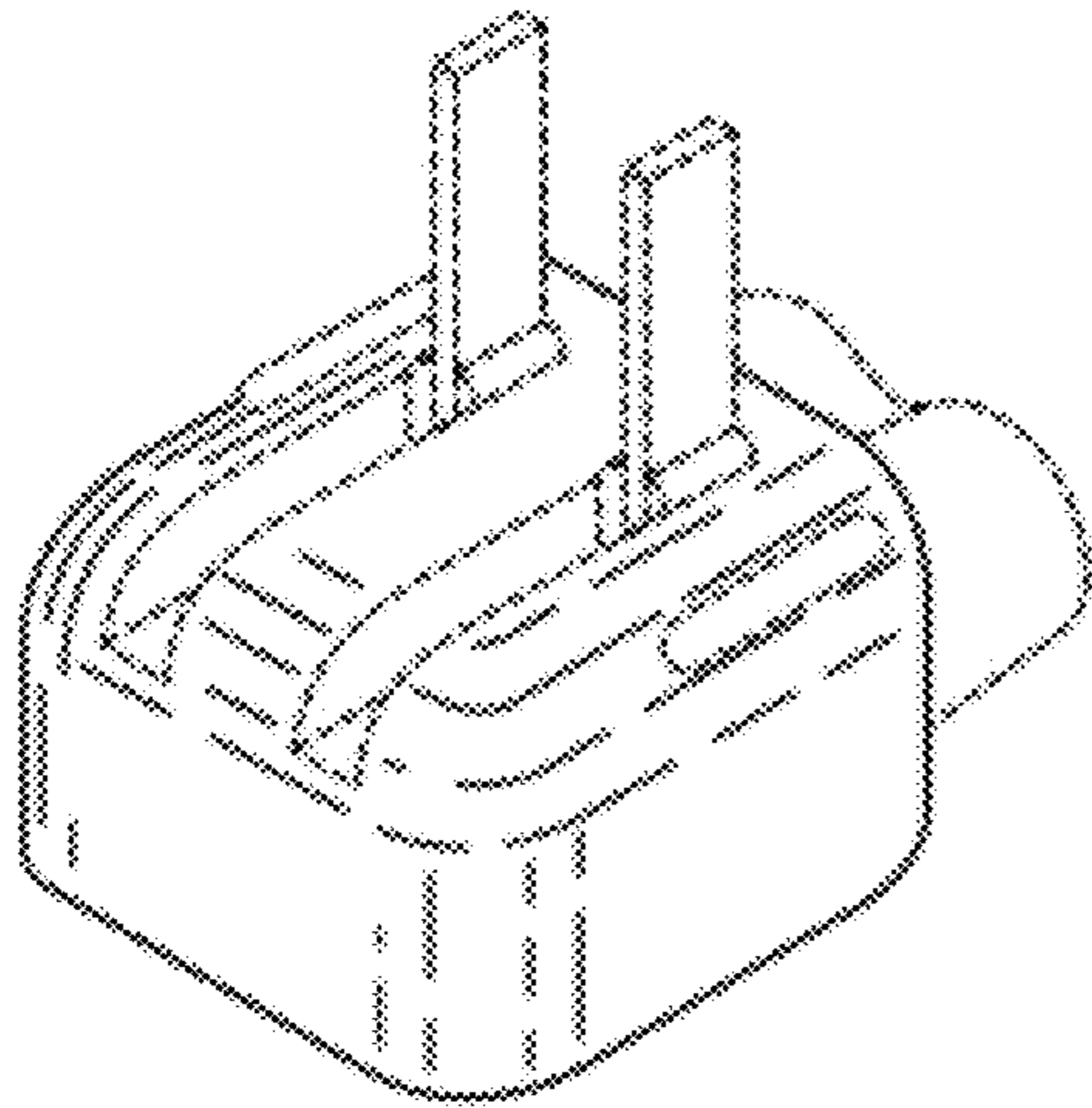


FIG. 16

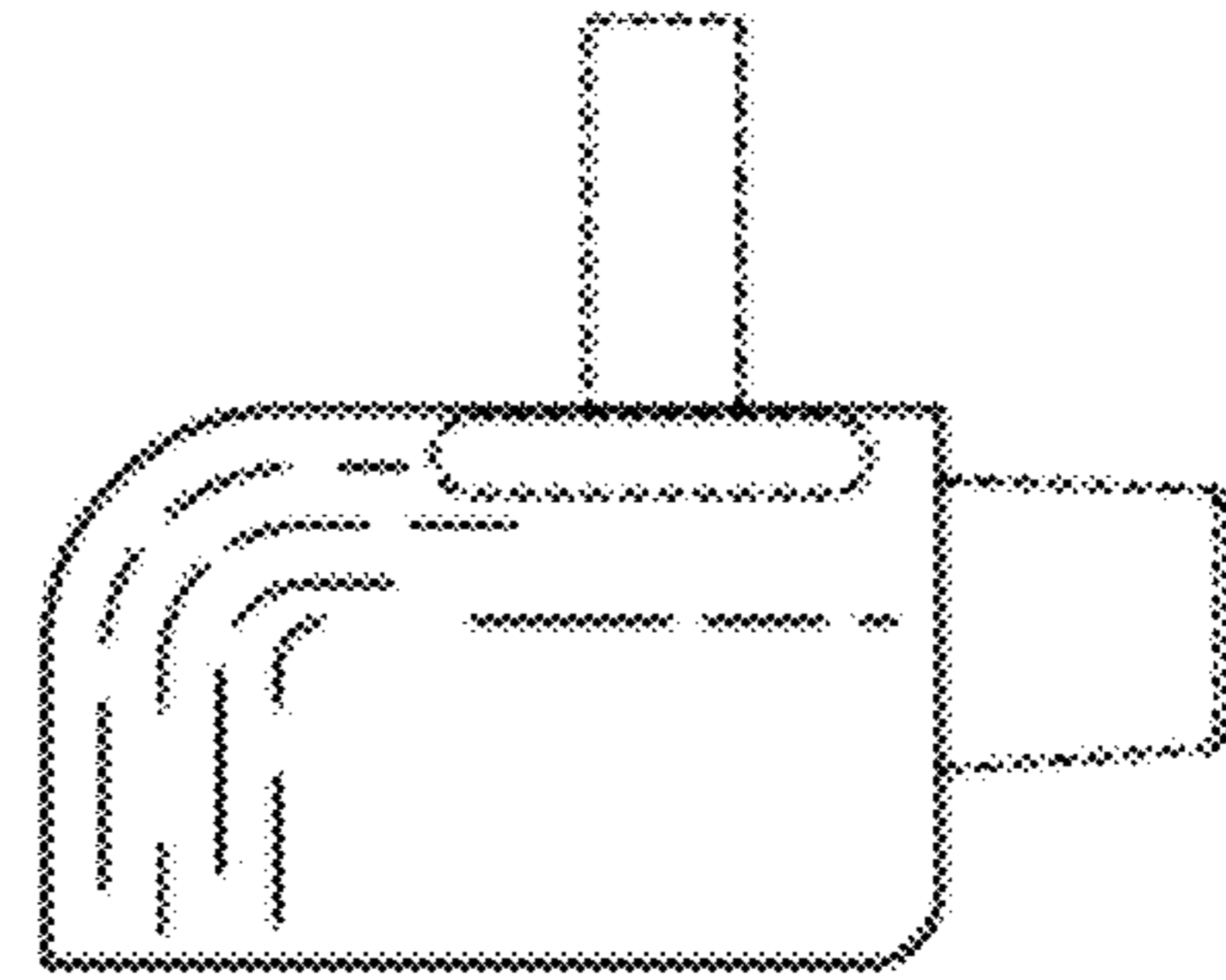


FIG. 17

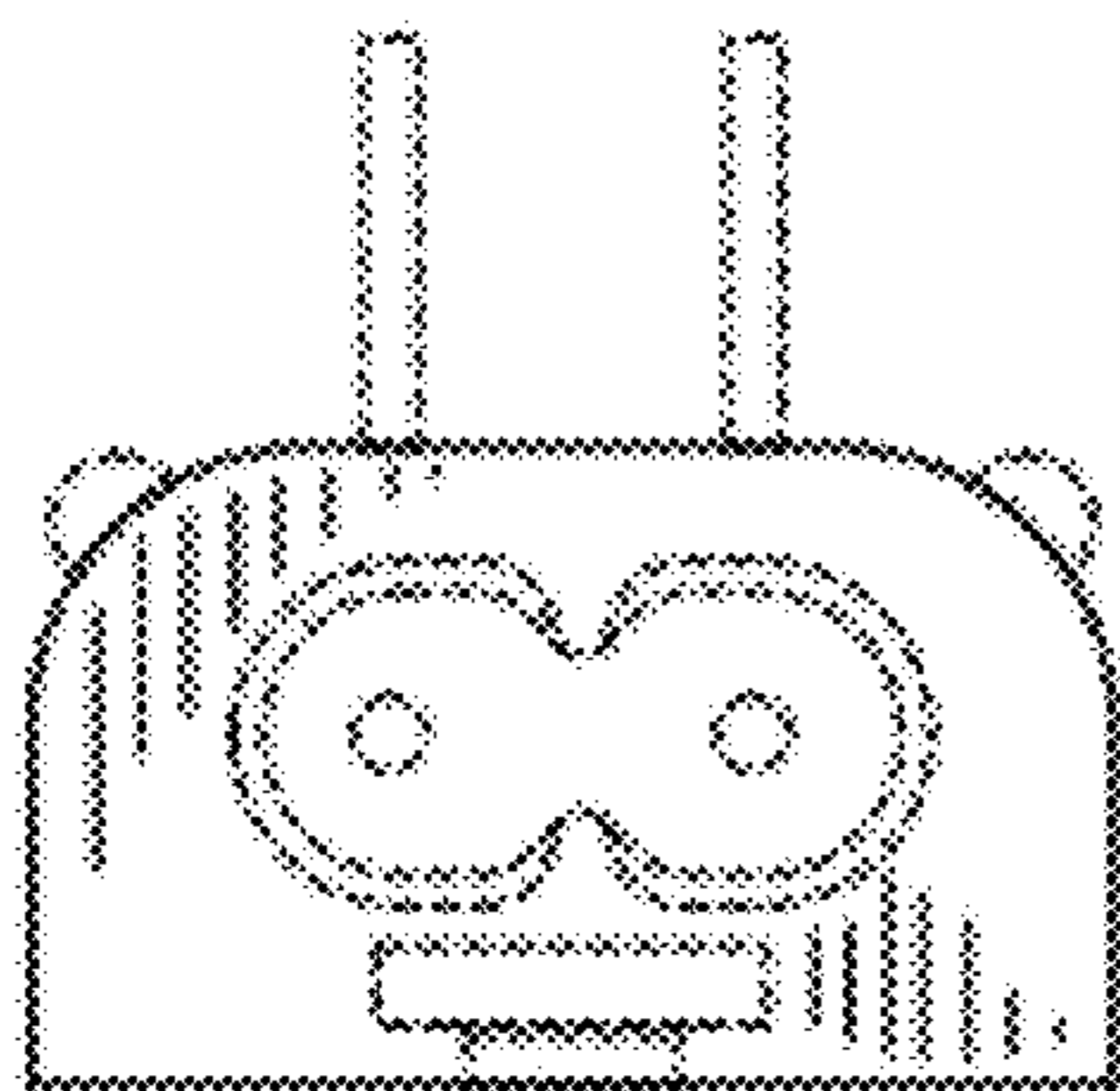


FIG. 18

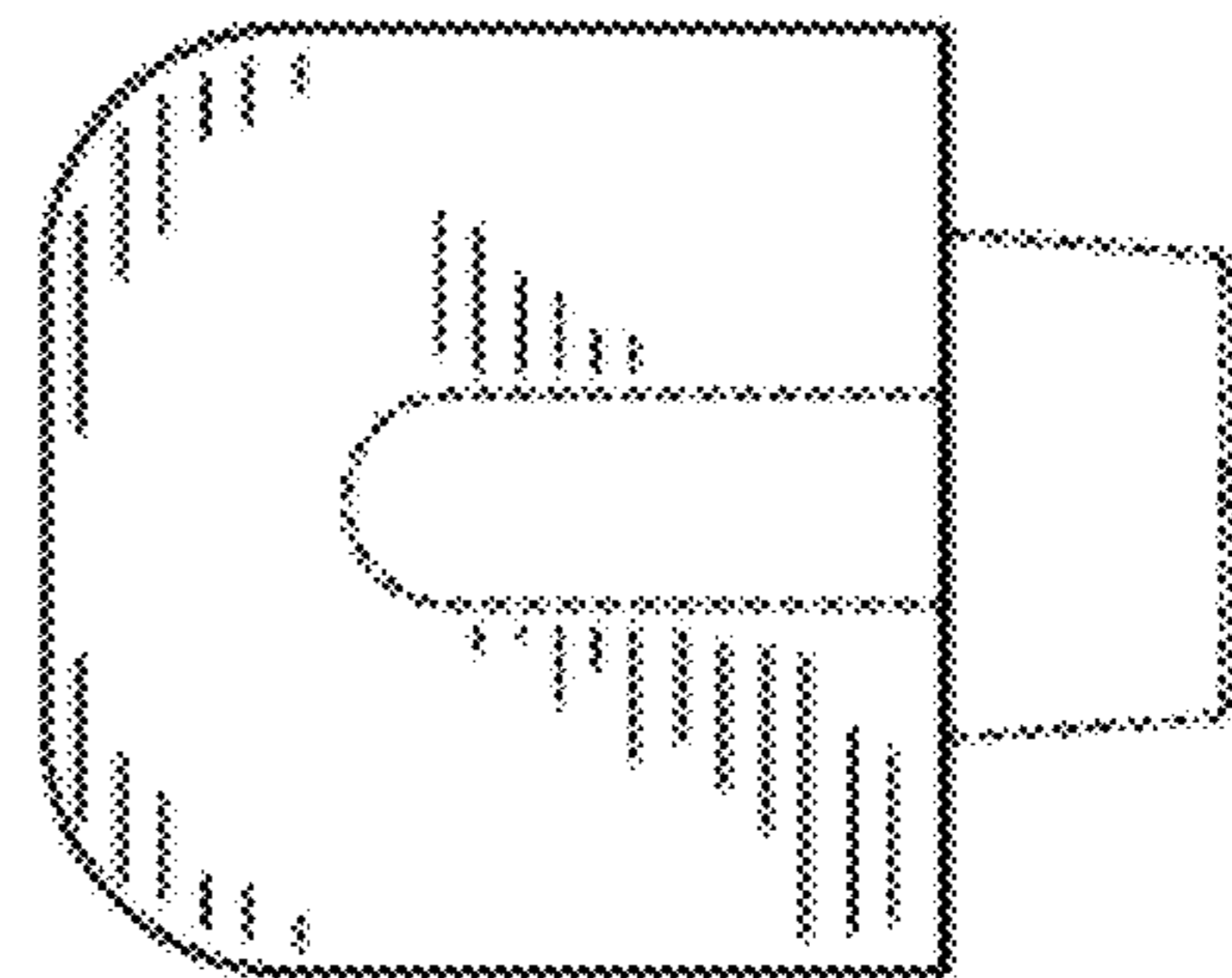


FIG. 19