



US00D661645S

(12) **United States Design Patent**
Heidtmann

(10) **Patent No.:** **US D661,645 S**
(45) **Date of Patent:** **** Jun. 12, 2012**

(54) **SOLAR COLLECTOR**

(56) **References Cited**

(75) Inventor: **Niels Heidtmann**, Kolding (DK)

U.S. PATENT DOCUMENTS

(73) Assignee: **Nordic Energy Group APS**, Svenstrup J (DK)

D258,232	S	*	2/1981	Weis	D13/102
D260,282	S	*	8/1981	Fattor	D13/102
D280,234	S	*	8/1985	Takeuchi et al.	D13/102
D283,536	S	*	4/1986	Fossum	D13/102
D307,260	S	*	4/1990	Happy et al.	D13/102
D353,129	S	*	12/1994	Ricaud et al.	D13/102
D362,056	S	*	9/1995	Grandinetti	D23/318
D448,722	S	*	10/2001	Drummond	D13/102
D474,444	S	*	5/2003	Elgner	D13/102

(**) Term: **14 Years**

(21) Appl. No.: **29/406,389**

FOREIGN PATENT DOCUMENTS

(22) Filed: **Nov. 14, 2011**

WO WO 2010/028647 3/2010

Related U.S. Application Data

* cited by examiner

(62) Division of application No. 29/346,354, filed on Oct. 30, 2009.

Primary Examiner — Derrick Holland

(74) *Attorney, Agent, or Firm* — Sheridan Ross, P.C.

(30) **Foreign Application Priority Data**

(57) **CLAIM**

Apr. 30, 2009	(EM)	001132609-0001
Apr. 30, 2009	(EM)	001132609-0002
Apr. 30, 2009	(EM)	001132609-0003
Apr. 30, 2009	(EM)	001132609-0005

The ornamental design for solar collector, as shown and described.

DESCRIPTION

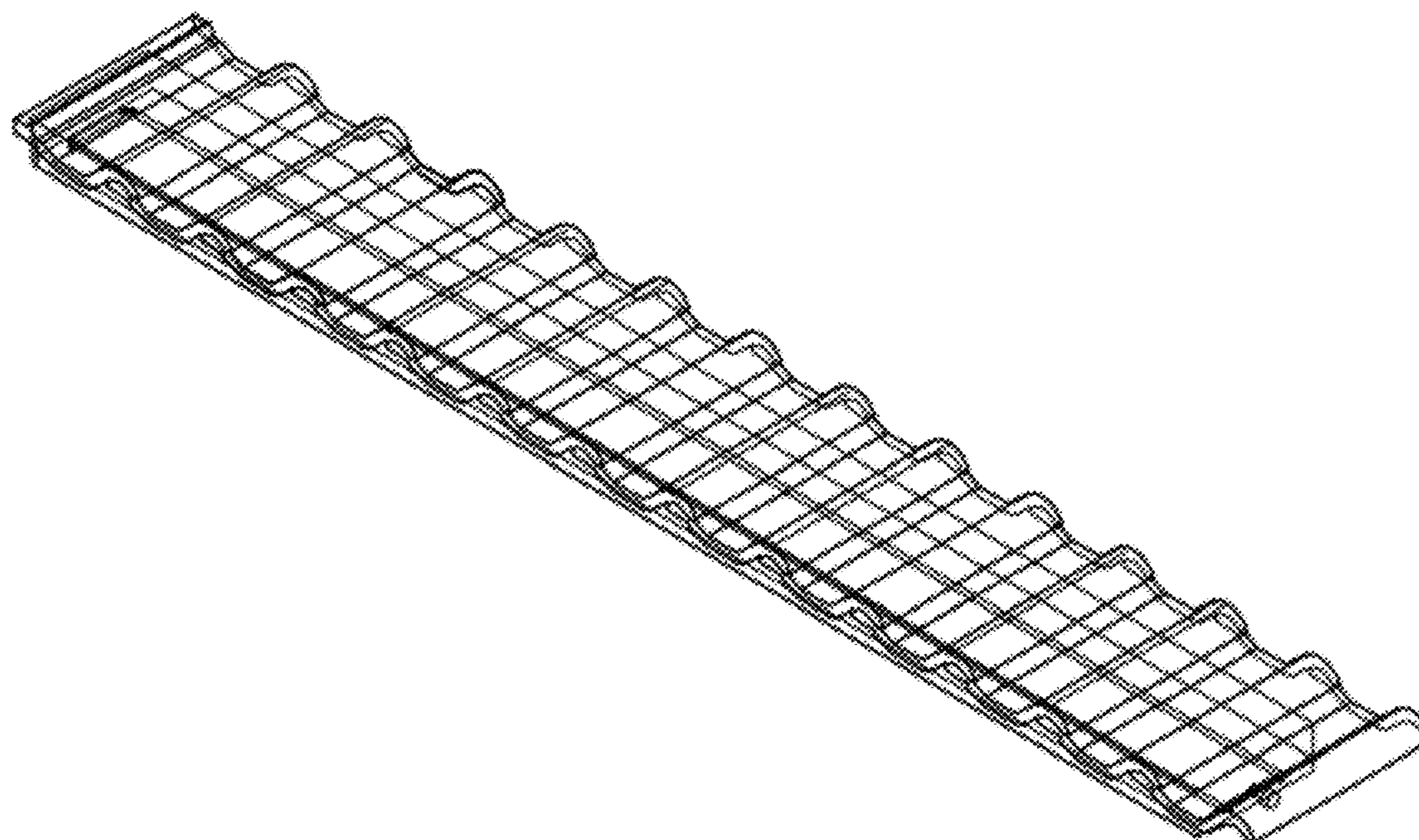
- (51) **LOC (9) Cl.** **13-02**
- (52) **U.S. Cl.** **D13/102**
- (58) **Field of Classification Search** D13/102,
D13/101, 184, 199; 4/493, 498; 126/561-568,
126/585, 623, 624, 626, 627, 640, 658, 661,
126/904, 908; 136/206, 244-251, 256, 291,
136/292

FIG. 1 is a perspective view of a solar collector showing my new design;
FIG. 2 is a front elevation view thereof, the rear elevation being a mirror image;
FIG. 3 is a top plan view thereof;
FIG. 4 is a bottom plan view thereof; and,
FIG. 5 is a left side view thereof, the right side view being a mirror image.

The broken lines shown represent unclaimed subject matter and form no part of the claimed design.

See application file for complete search history.

1 Claim, 2 Drawing Sheets



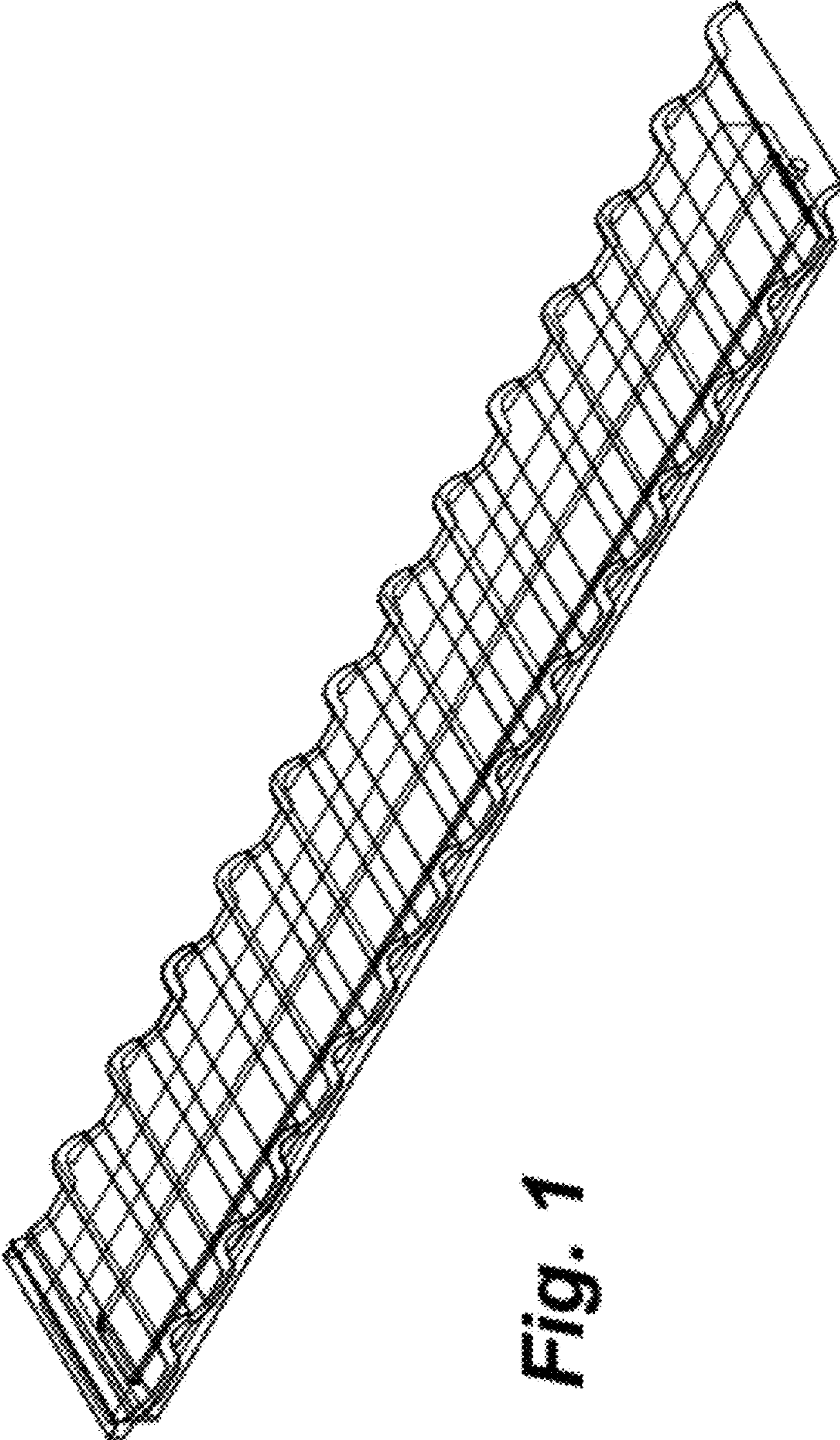


Fig. 1



Fig. 2

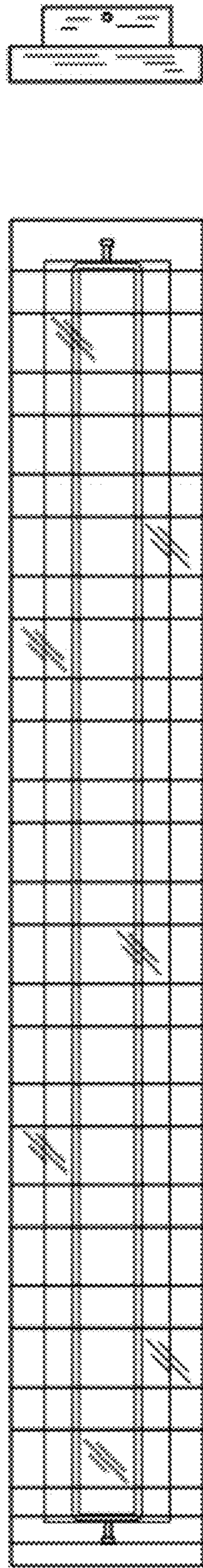


Fig. 3

Fig. 5

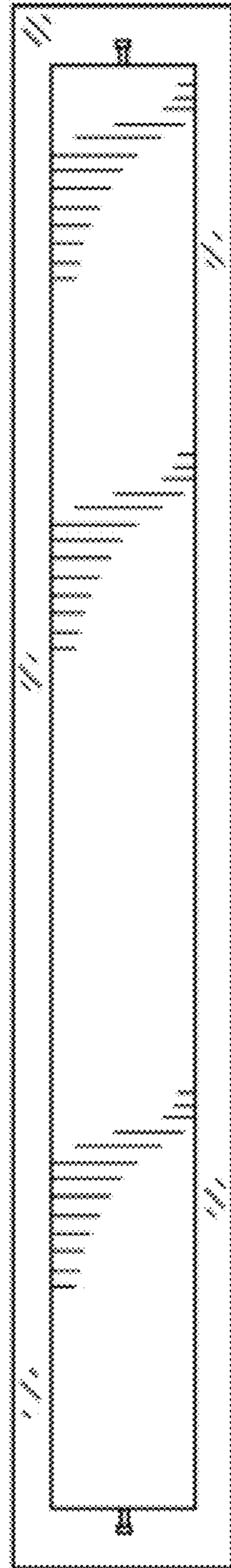


Fig. 4