



US00D661635S

(12) **United States Design Patent**
Svensson et al.

(10) **Patent No.:** **US D661,635 S**
(45) **Date of Patent:** **** Jun. 12, 2012**

(54) **VEHICLE MIRROR**

(75) Inventors: **Christopher Svensson**, Chelmsford (GB); **Paul Campbell**, Essex (GB); **Paul Wraith**, Colchester (GB)

(73) Assignee: **Ford Global Technologies, LLC**, Dearborn, MI (US)

(**) Term: **14 Years**

(21) Appl. No.: **29/404,424**

(22) Filed: **Oct. 20, 2011**

(51) **LOC (9) Cl.** **12-16**

(52) **U.S. Cl.** **D12/187**

(58) **Field of Classification Search** D12/187, D12/188-189; D6/300, 309; 359/838, 841, 359/842, 843, 844, 868, 871, 604, 881, 514, 359/866; 248/479-483, 475.1

See application file for complete search history.

(56) **References Cited**

U.S. PATENT DOCUMENTS

- D568,799 S 5/2008 Spearman-Oxx
- D581,334 S * 11/2008 Courbon et al. D12/187
- D610,060 S * 2/2010 Meier et al. D12/187
- D610,513 S * 2/2010 Meier et al. D12/187

- D619,065 S 7/2010 Bennett
- D631,804 S * 2/2011 Chen D12/187
- D636,308 S * 4/2011 Reimchen et al. D12/187
- 2007/0253082 A1 * 11/2007 Schmidt et al. 359/850
- 2008/0100939 A1 * 5/2008 Brester 359/872

* cited by examiner

Primary Examiner — Caron D Veynar

Assistant Examiner — Katrina A Betton

(74) *Attorney, Agent, or Firm* — Damian Porcari

(57) **CLAIM**

The ornamental design for a vehicle mirror, as shown and described.

DESCRIPTION

FIG. 1 is a left side elevational view of a left vehicle mirror (the right vehicle mirror being a mirror image and is not shown);

FIG. 2 is a right side elevational view of the vehicle mirror;

FIG. 3 is a front elevational view of the vehicle mirror;

FIG. 4 is a rear elevational view of the vehicle mirror;

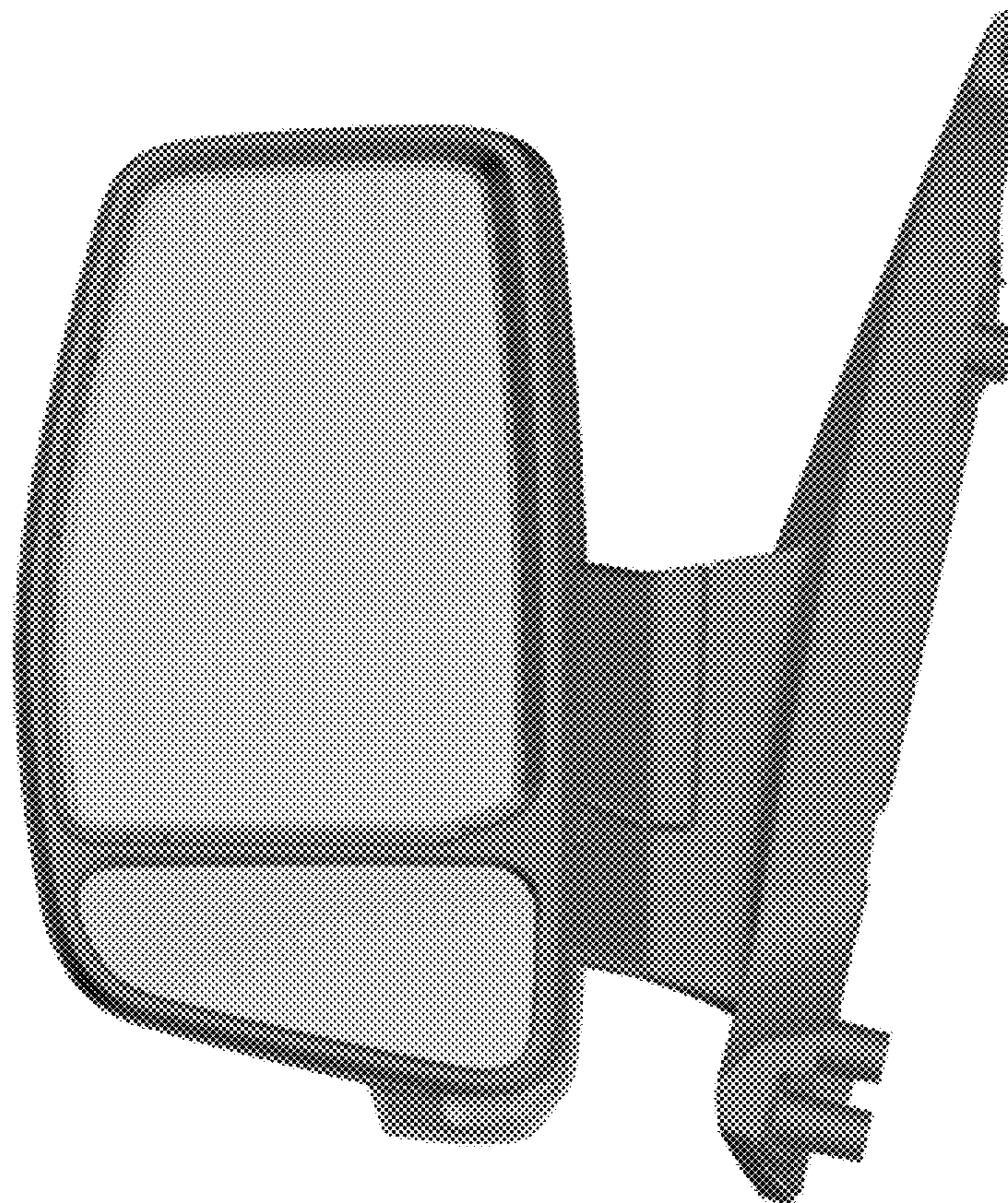
FIG. 5 is a top plan view of the vehicle mirror;

FIG. 6 is a bottom plan view of the vehicle mirror;

FIG. 7 is a perspective view of the vehicle mirror; and,

FIG. 8 is another perspective view of the vehicle mirror.

1 Claim, 8 Drawing Sheets



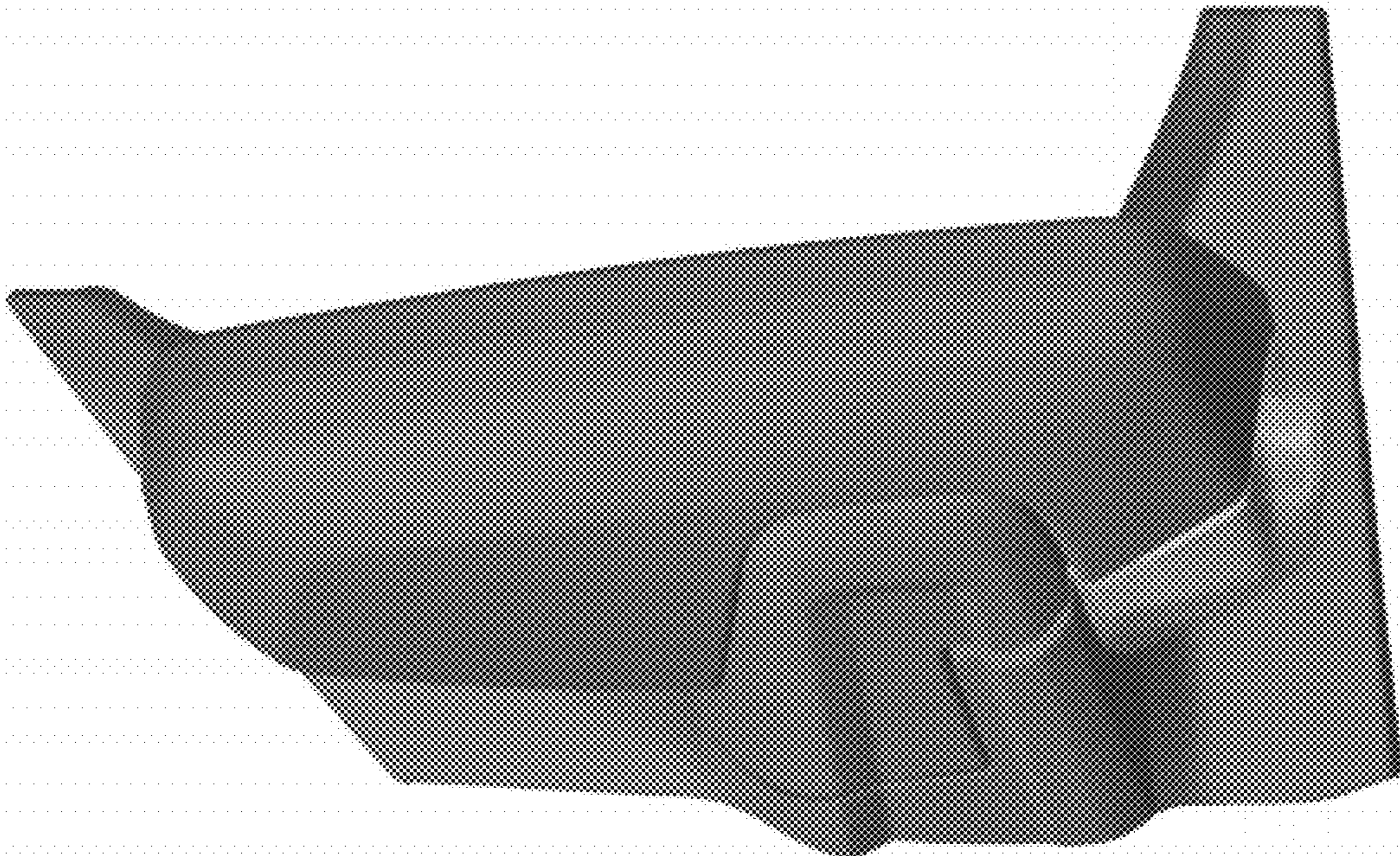


Figure 1

Figure 2

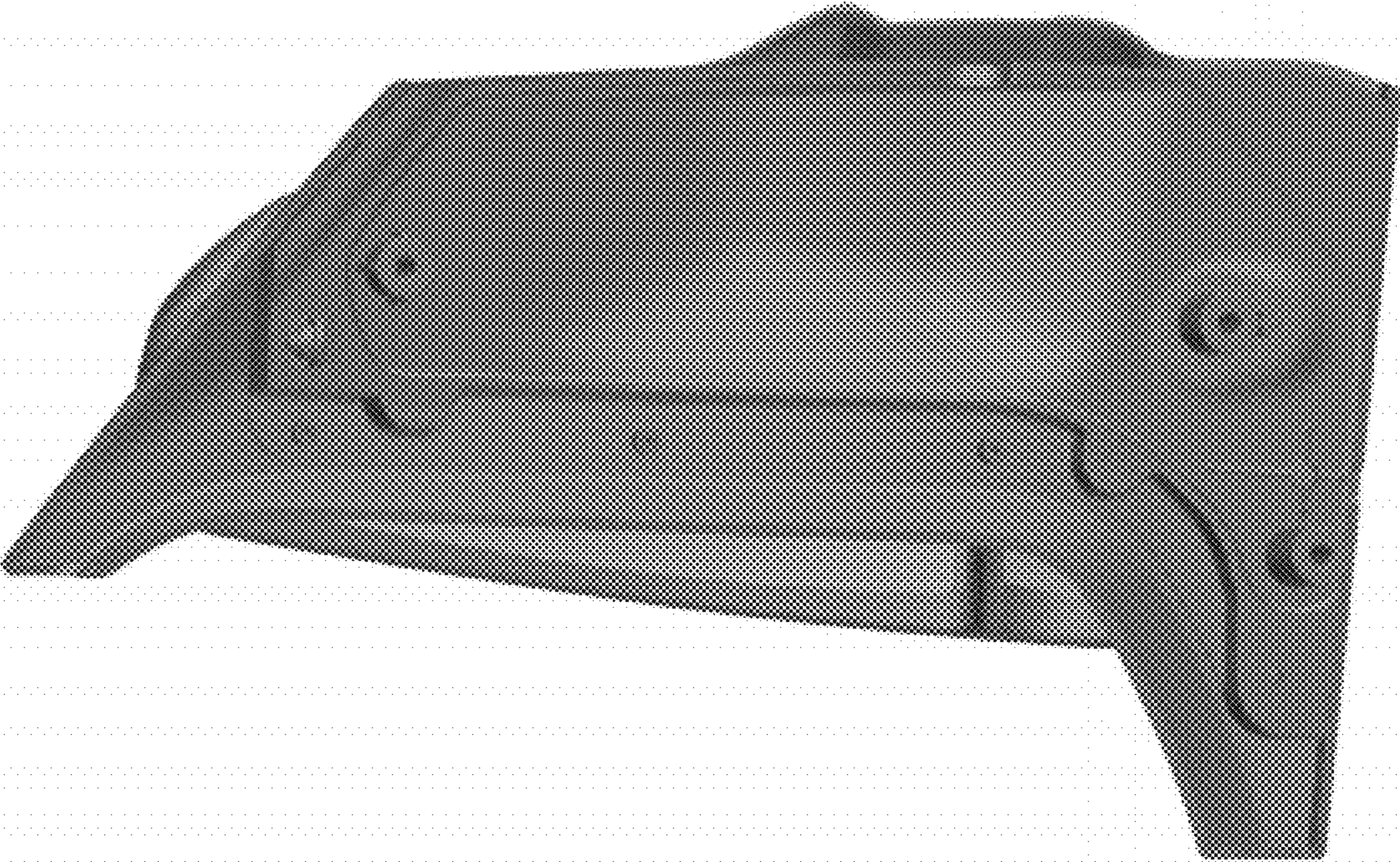
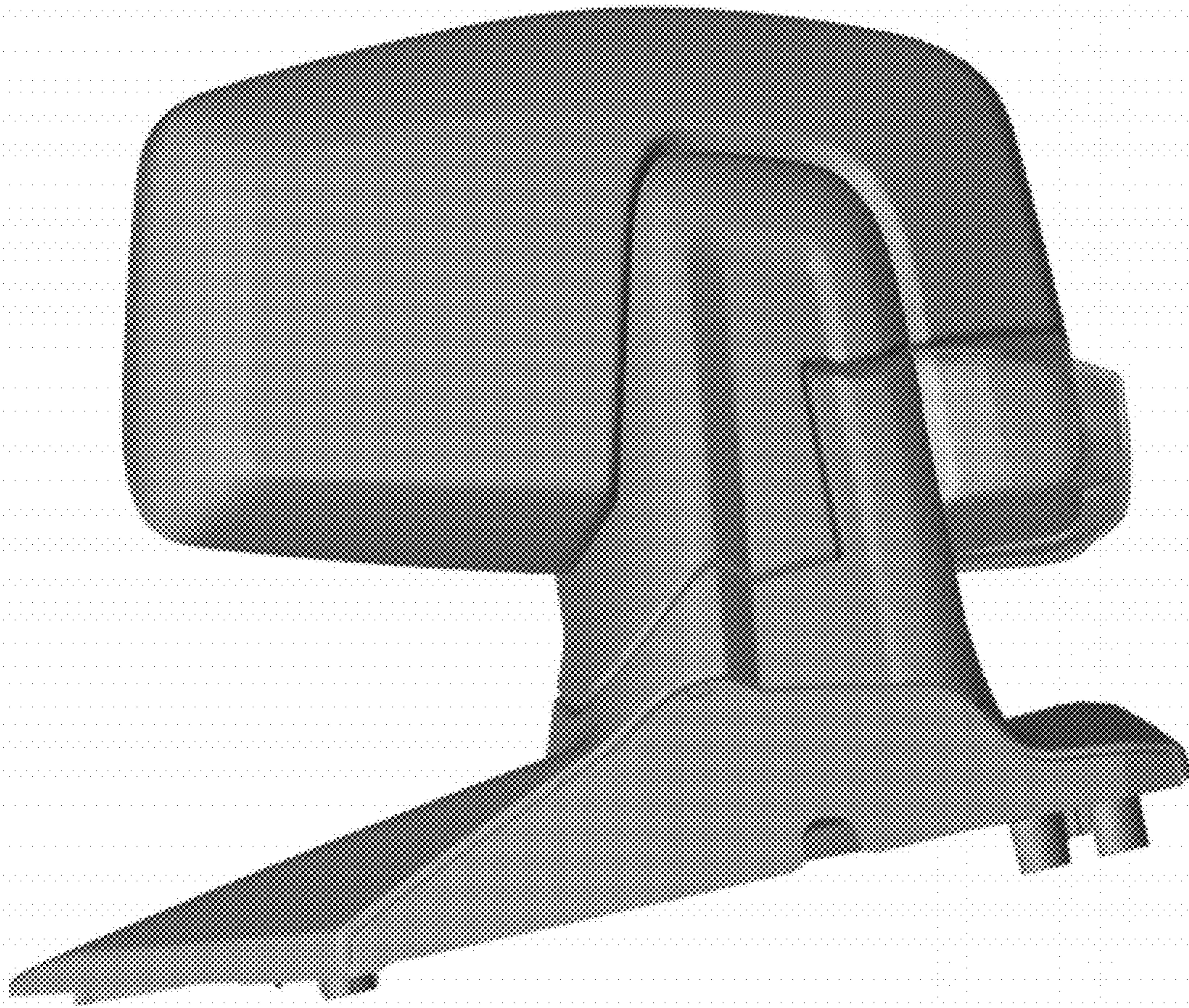


Figure 3



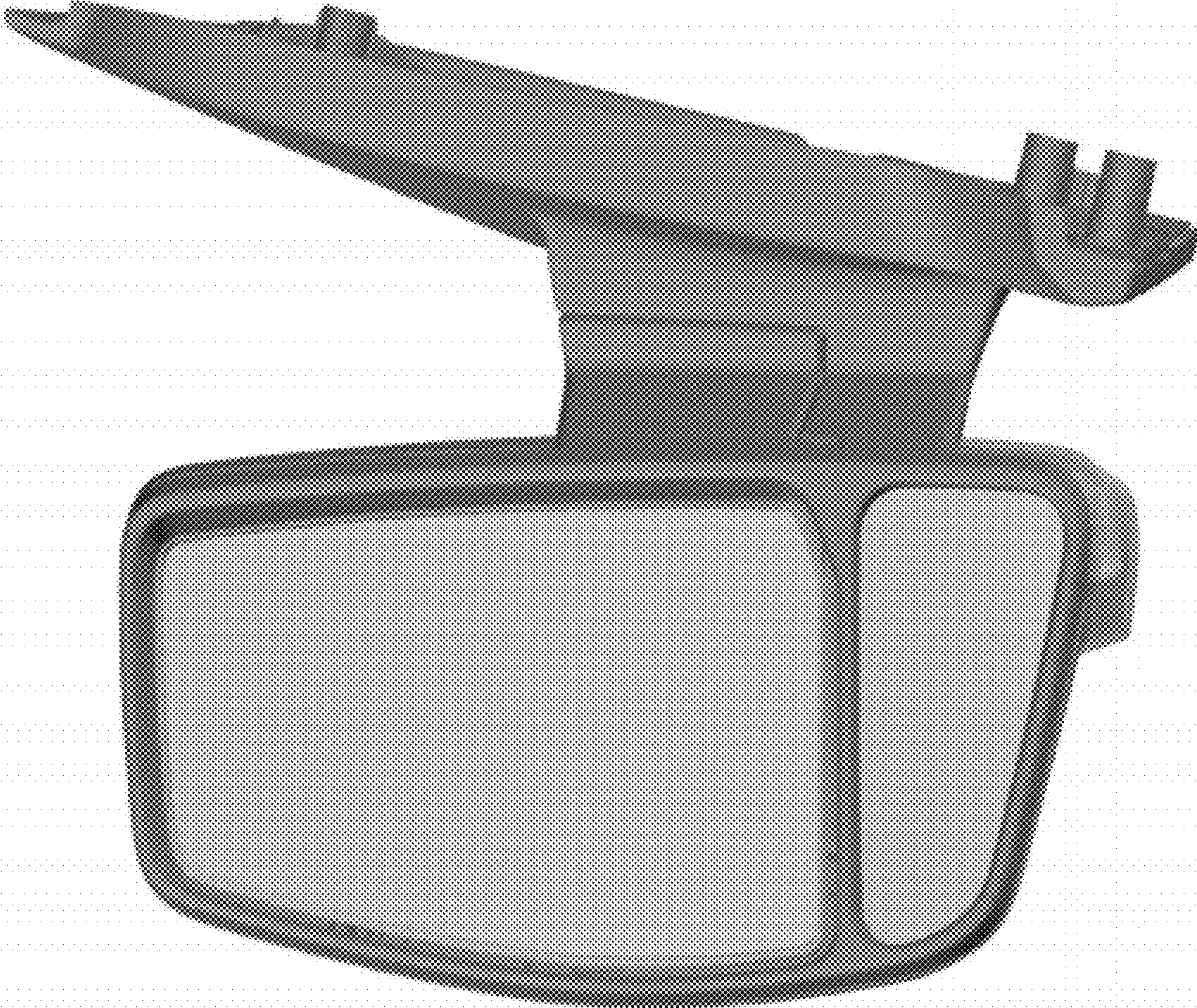


Figure 4

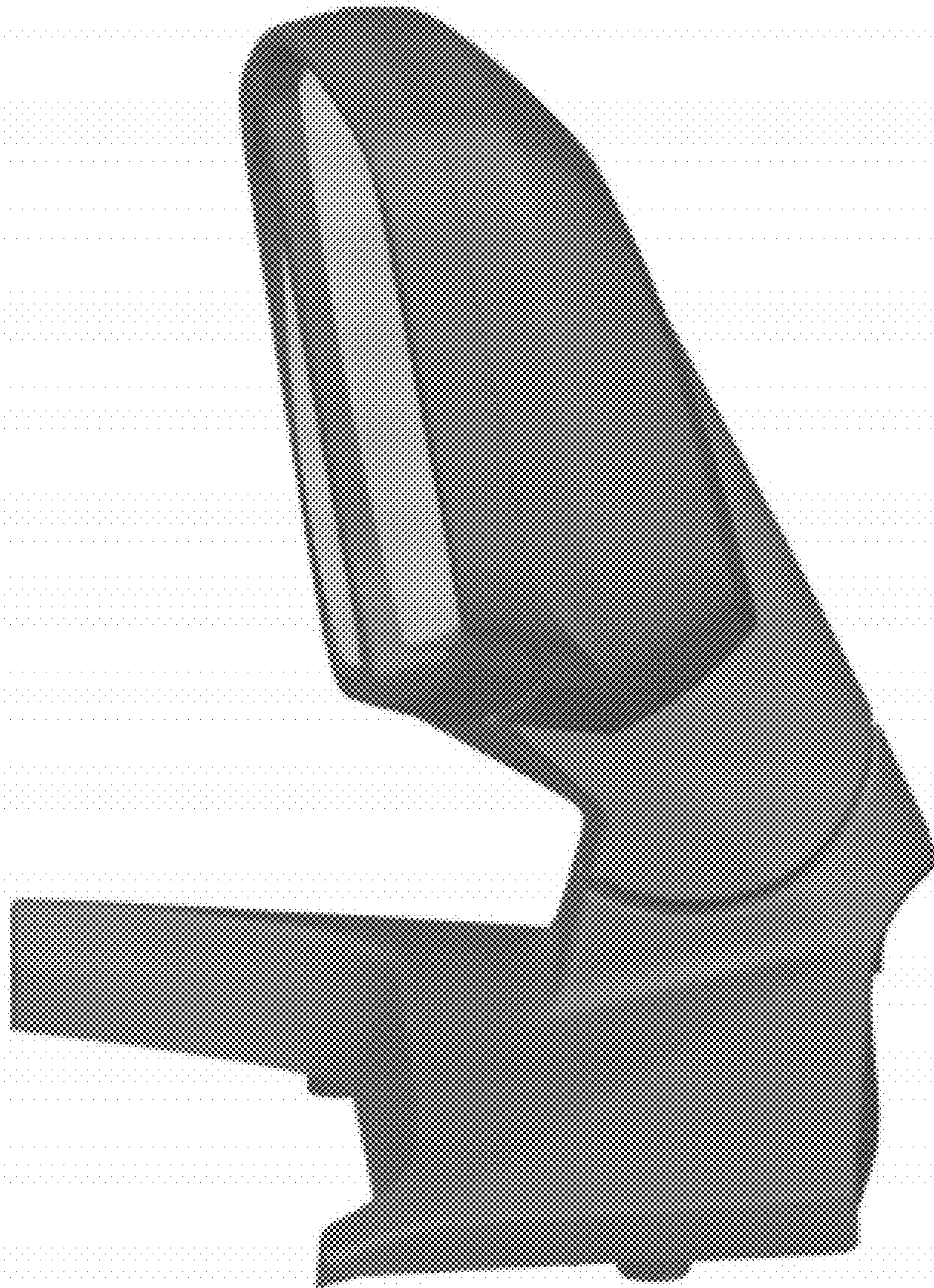


Figure 5

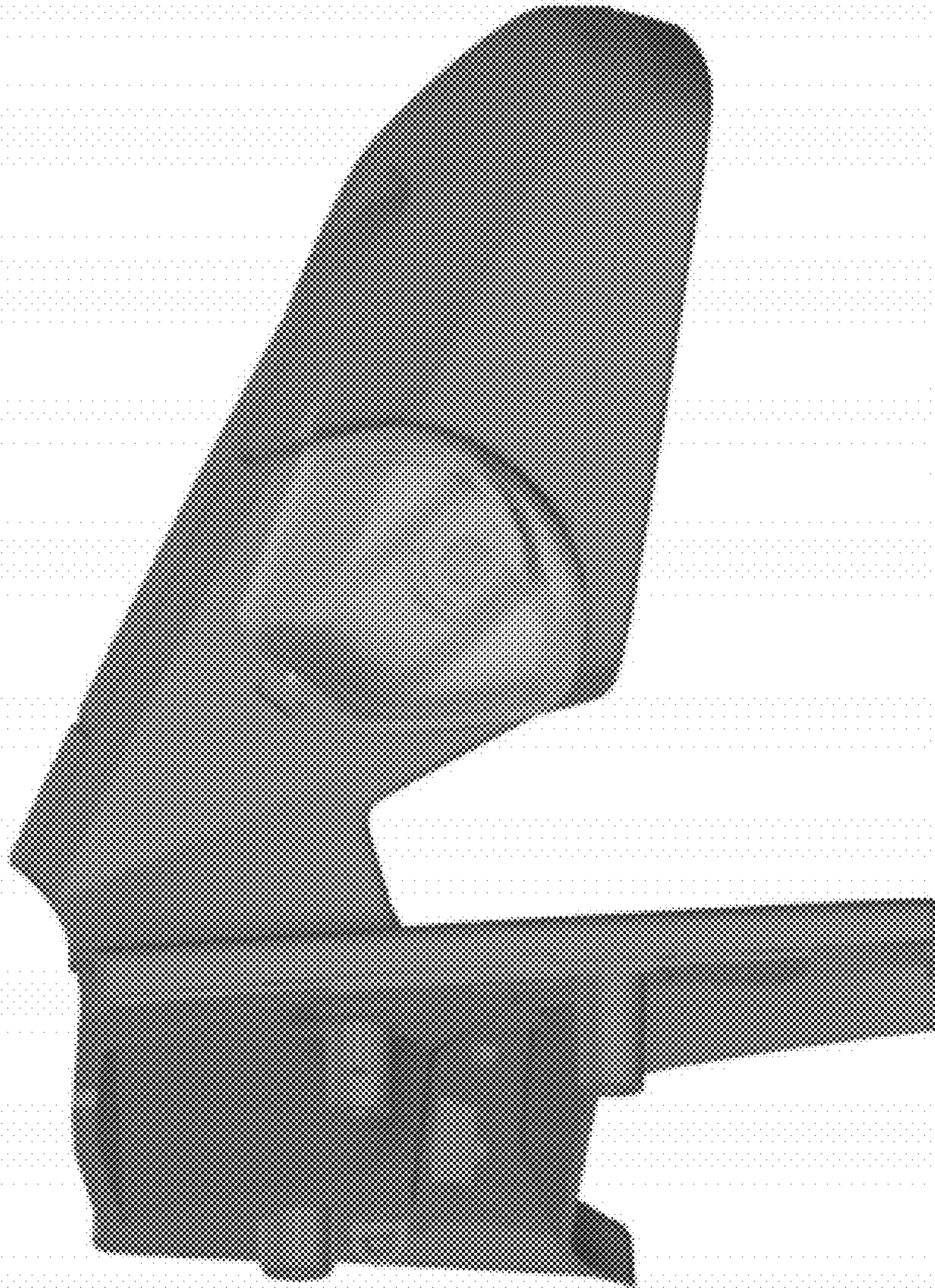
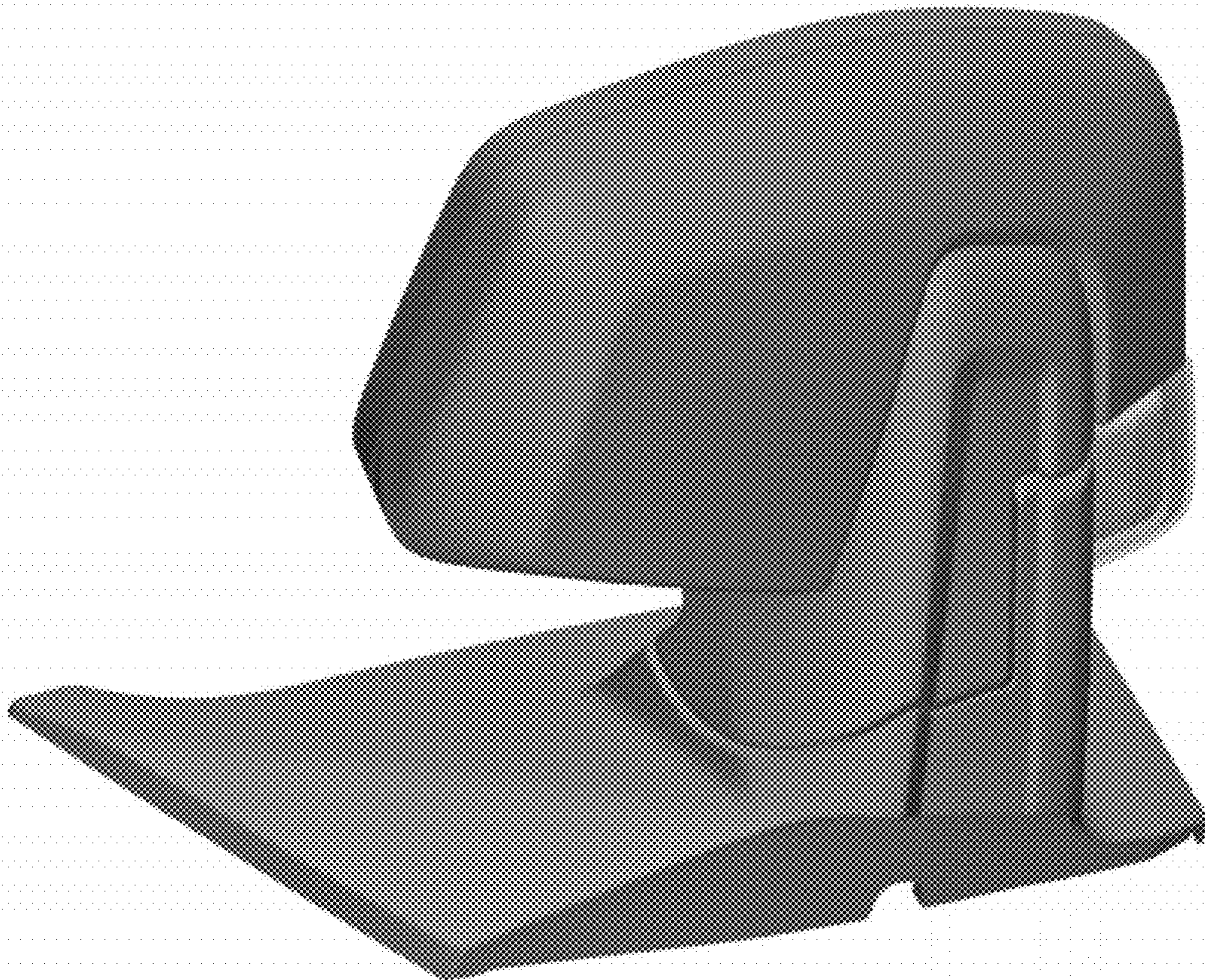


Figure 6

Figure 7



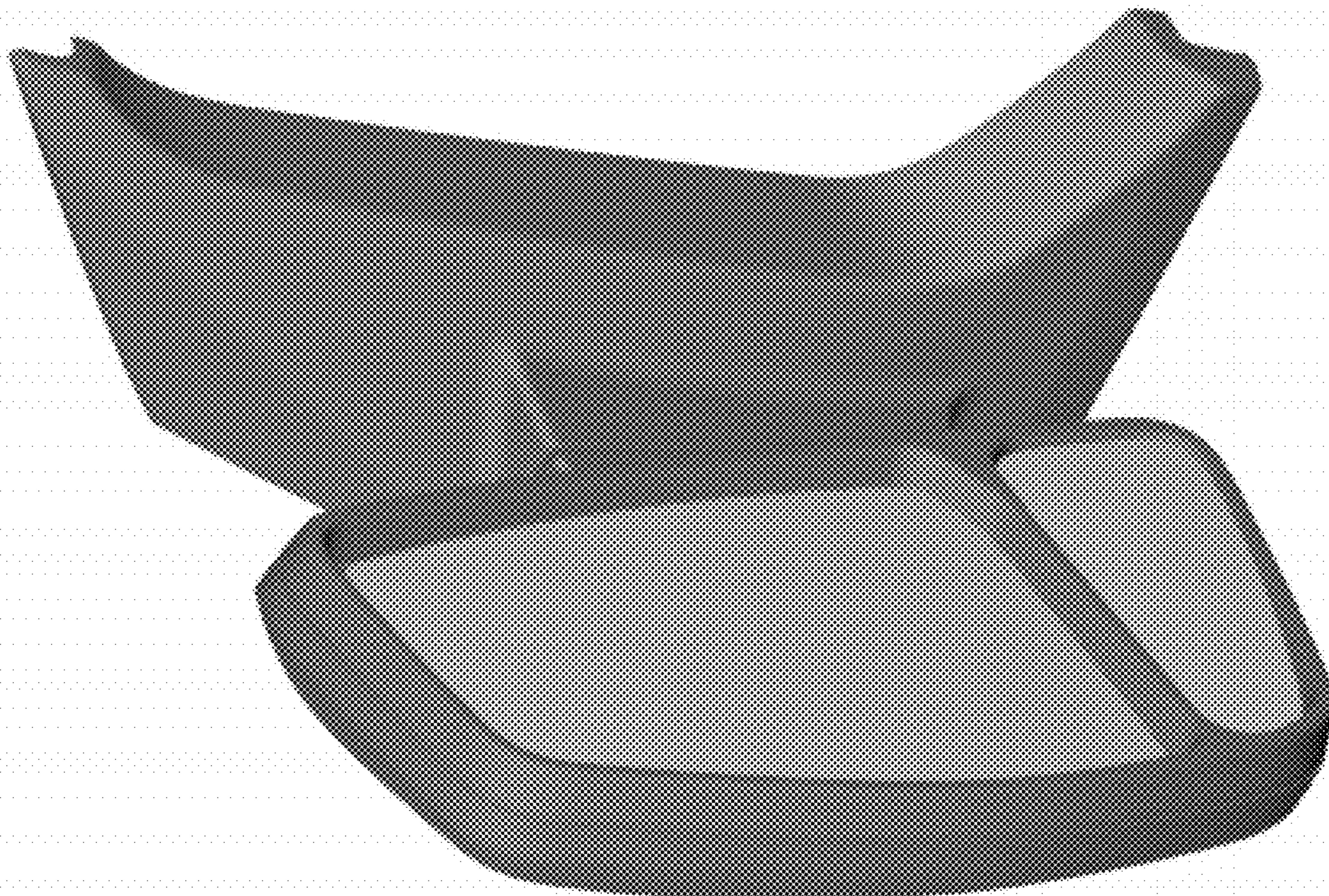


Figure 8