



US00D661634S

(12) **United States Design Patent**
Huet

(10) **Patent No.:** **US D661,634 S**
(45) **Date of Patent:** **** Jun. 12, 2012**

(54) **SIDE MIRROR FOR A VEHICLE**

(75) Inventor: **Nicolas Huet**, Munich (DE)

(73) Assignee: **Bayerische Motoren Werke Aktiengesellschaft**, Munich (DE)

(**) Term: **14 Years**

(21) Appl. No.: **29/392,861**

(22) Filed: **May 27, 2011**

(30) **Foreign Application Priority Data**

Nov. 29, 2010 (DE) 402010006547

(51) **LOC (9) Cl.** **12-16**

(52) **U.S. Cl.** **D12/187**

(58) **Field of Classification Search** D12/187,
D12/188-189; D6/300, 309; 359/838, 841,
359/842, 843, 844, 868, 871, 604, 881, 514,
359/866; 248/479-483, 475.1

See application file for complete search history.

(56) **References Cited**

U.S. PATENT DOCUMENTS

D514,489 S *	2/2006	Ng-See-Quan	D12/187
7,104,662 B2 *	9/2006	Kawanishi	359/871
D551,143 S *	9/2007	Leclercq	D12/187
D569,774 S *	5/2008	Gresens et al.	D12/187
D587,638 S *	3/2009	Futschik et al.	D12/187
D616,345 S *	5/2010	Bauer et al.	D12/187
D619,065 S *	7/2010	Bennett et al.	D12/187

2004/0218272 A1 *	11/2004	Boddy	359/512
2005/0174645 A1 *	8/2005	Boddy et al.	359/599
2012/0008332 A1 *	1/2012	Pastrick	362/494

* cited by examiner

Primary Examiner — Caron D Veynar

Assistant Examiner — Katrina A Betton

(74) *Attorney, Agent, or Firm* — Crowell & Moring LLP

(57) **CLAIM**

The ornamental design for a side mirror for a vehicle, as shown and described.

DESCRIPTION

FIG. 1 is a front perspective view of a first embodiment of a side mirror for a vehicle according to my design;

FIG. 2 is a rear perspective view thereof;

FIG. 3 is a rear view thereof;

FIG. 4 is a front view thereof;

FIG. 5 is a top view thereof;

FIG. 6 is a bottom view thereof;

FIG. 7 is a right side view thereof; and

FIG. 8 is a left side view thereof.

FIG. 9 is a front perspective view of a second embodiment of the side mirror for a vehicle according to my design;

FIG. 10 is a rear perspective view thereof;

FIG. 11 is a rear view thereof;

FIG. 12 is a front view thereof;

FIG. 13 is a top view thereof;

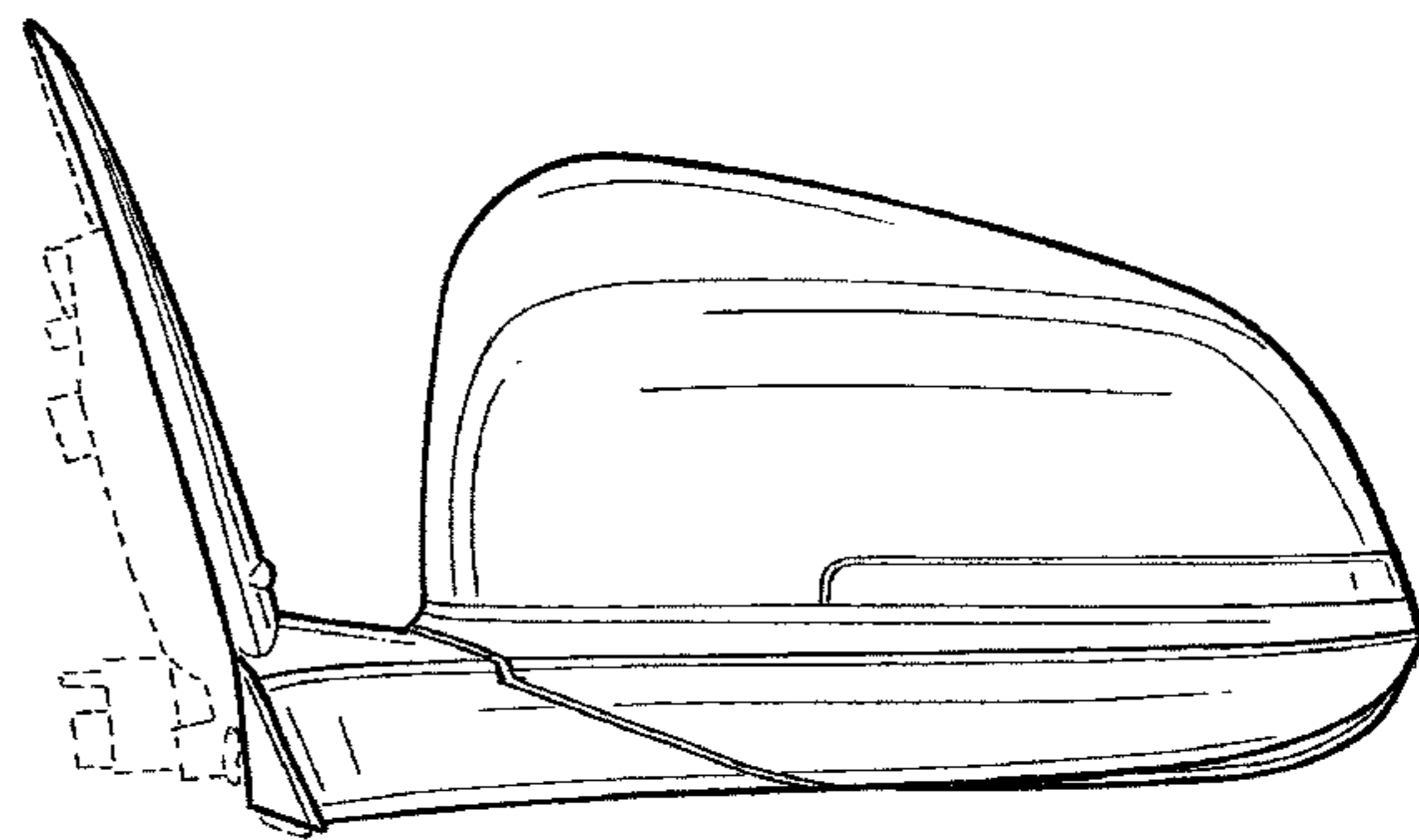
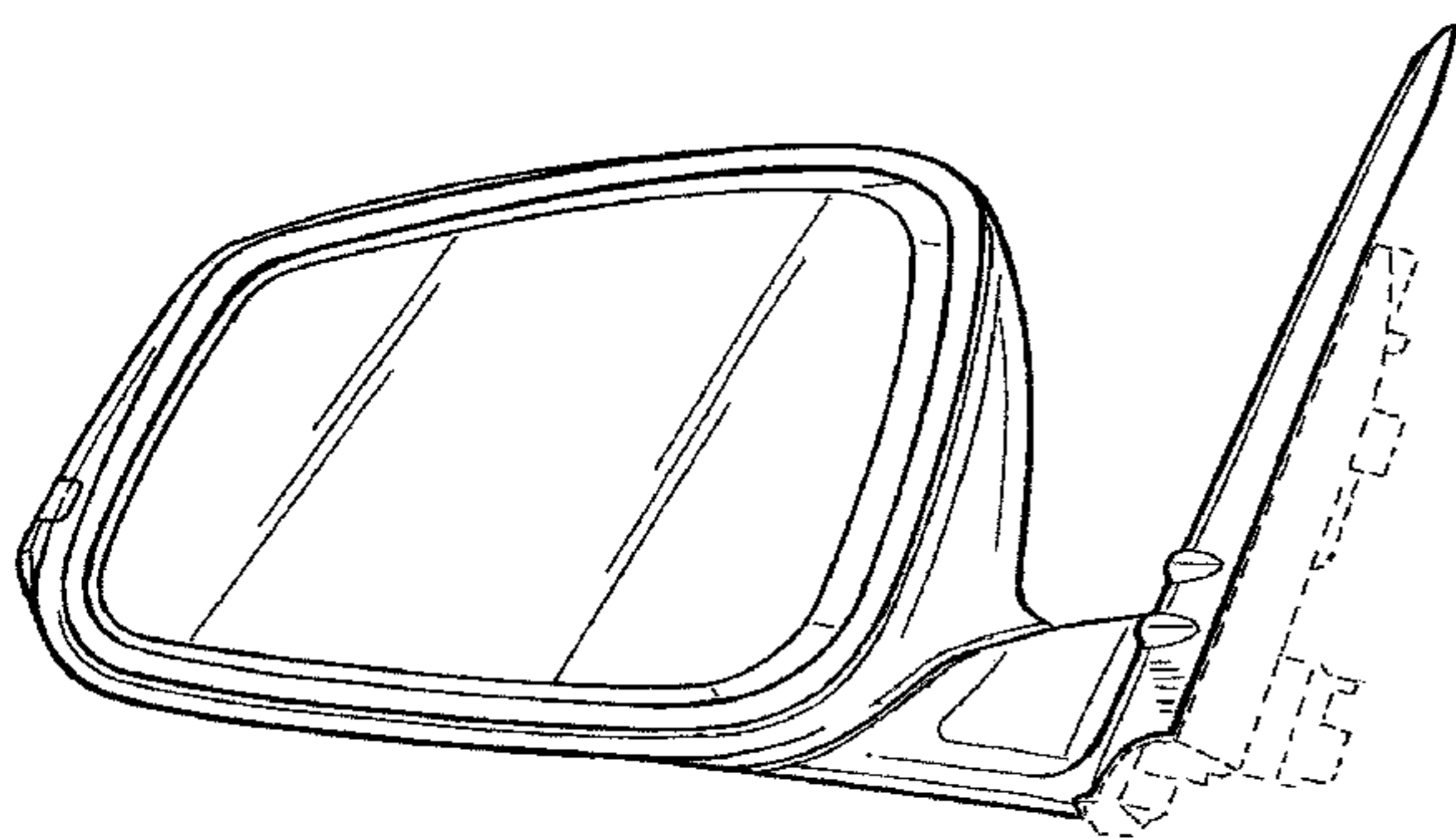
FIG. 14 is a bottom view thereof;

FIG. 15 is a left side view thereof; and,

FIG. 16 is a right side view thereof.

The broken lines are for illustrative purposes only and form no part of the claimed design.

1 Claim, 10 Drawing Sheets



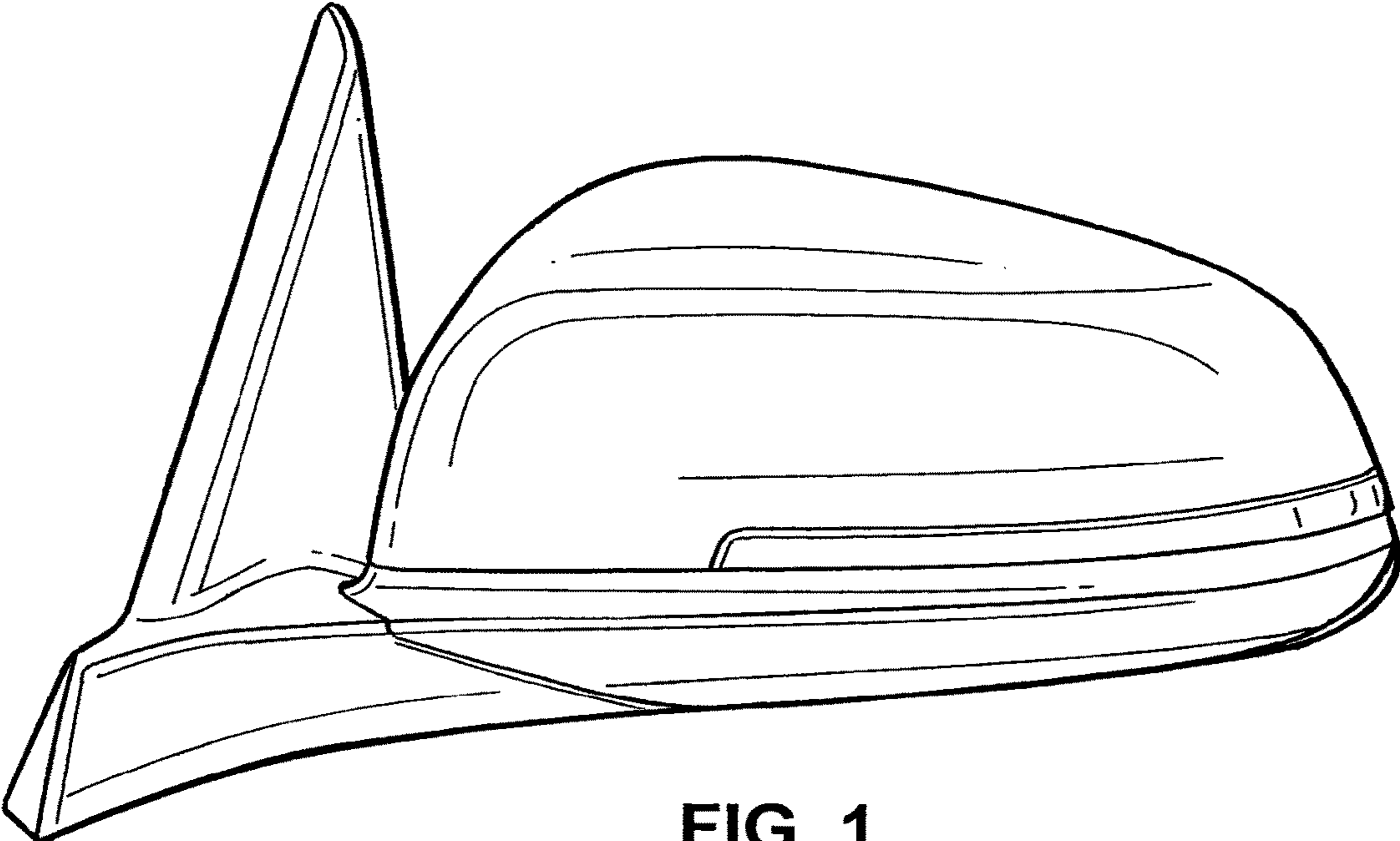


FIG. 1

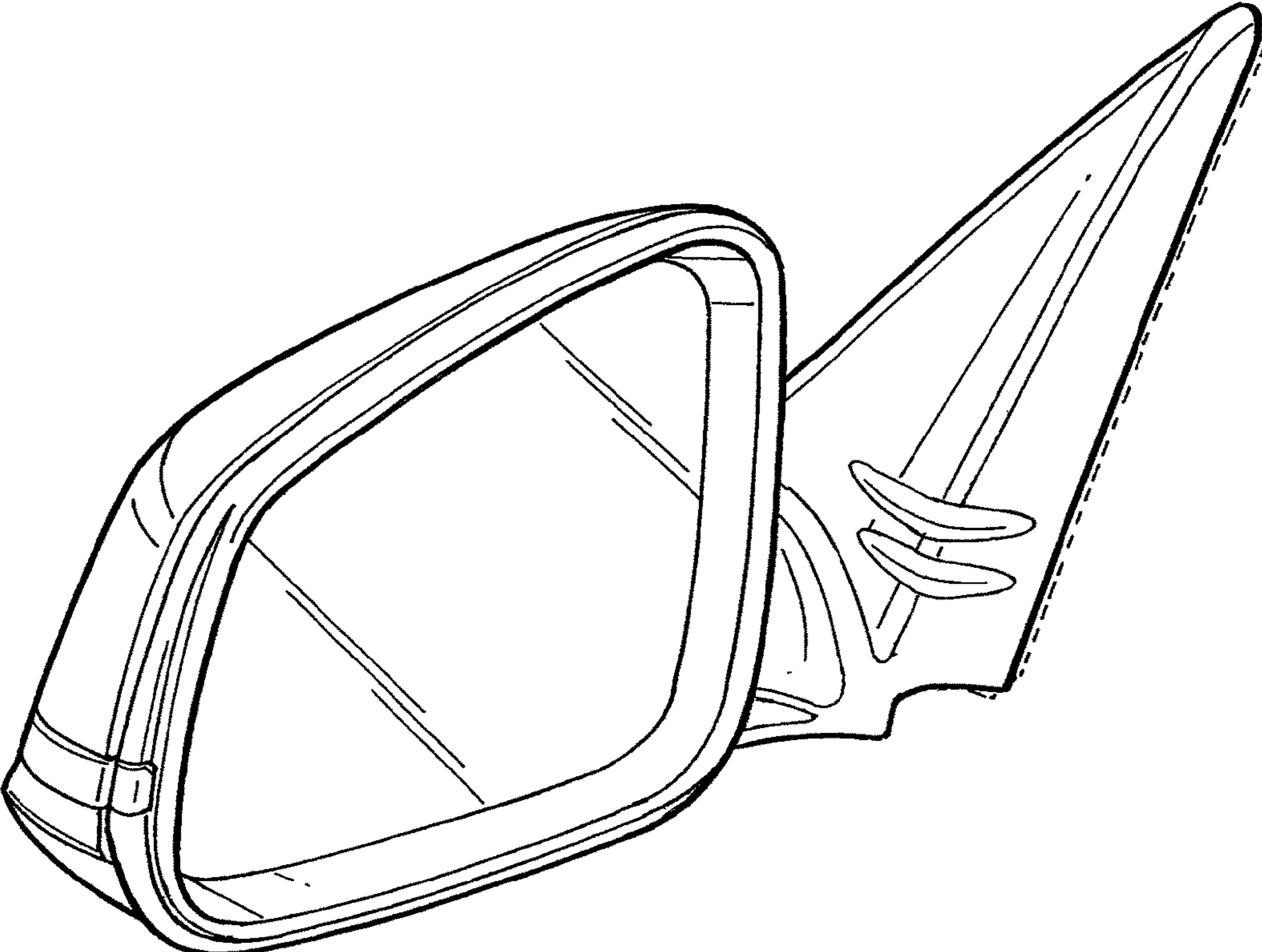


FIG. 2

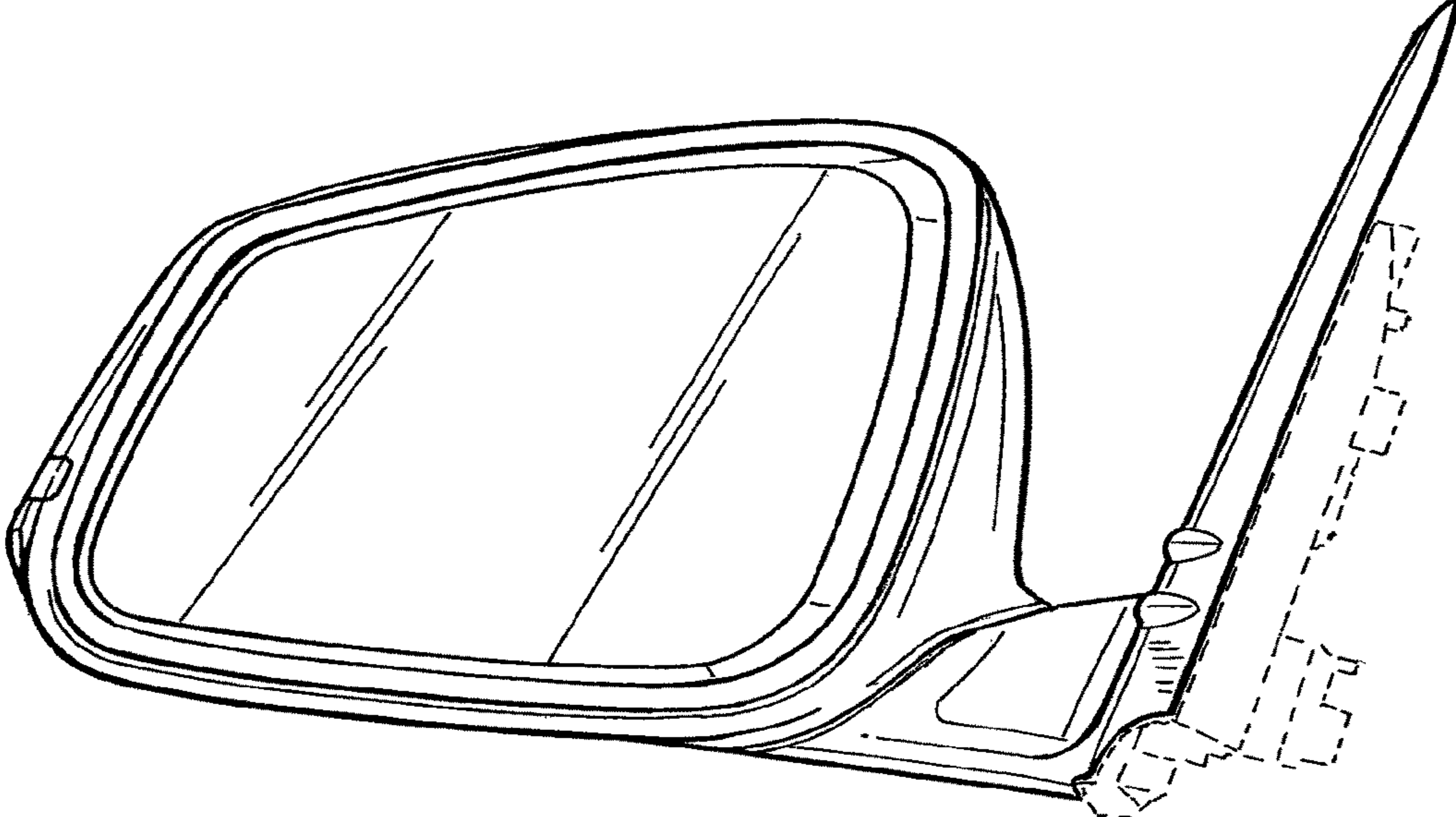


FIG. 3

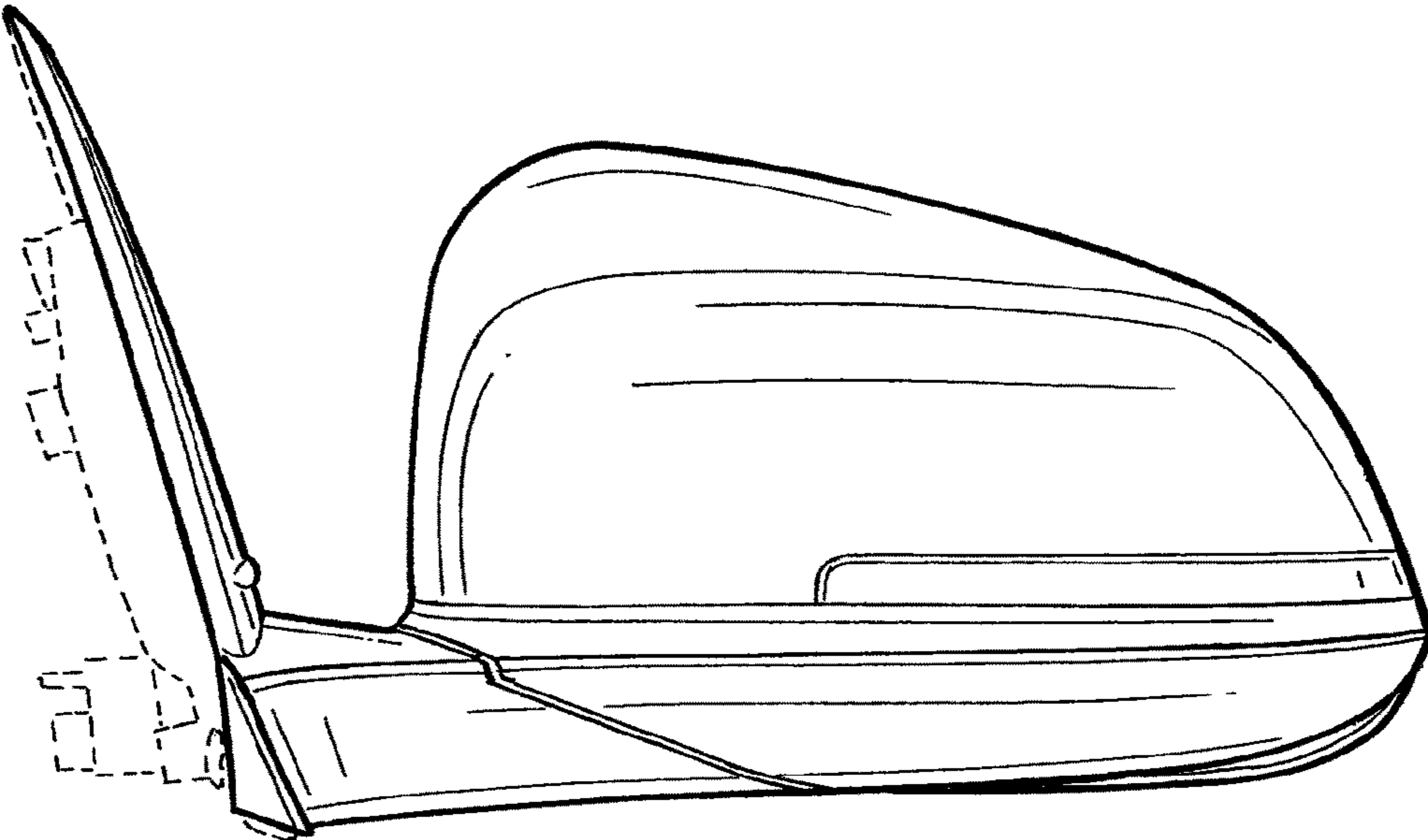


FIG. 4

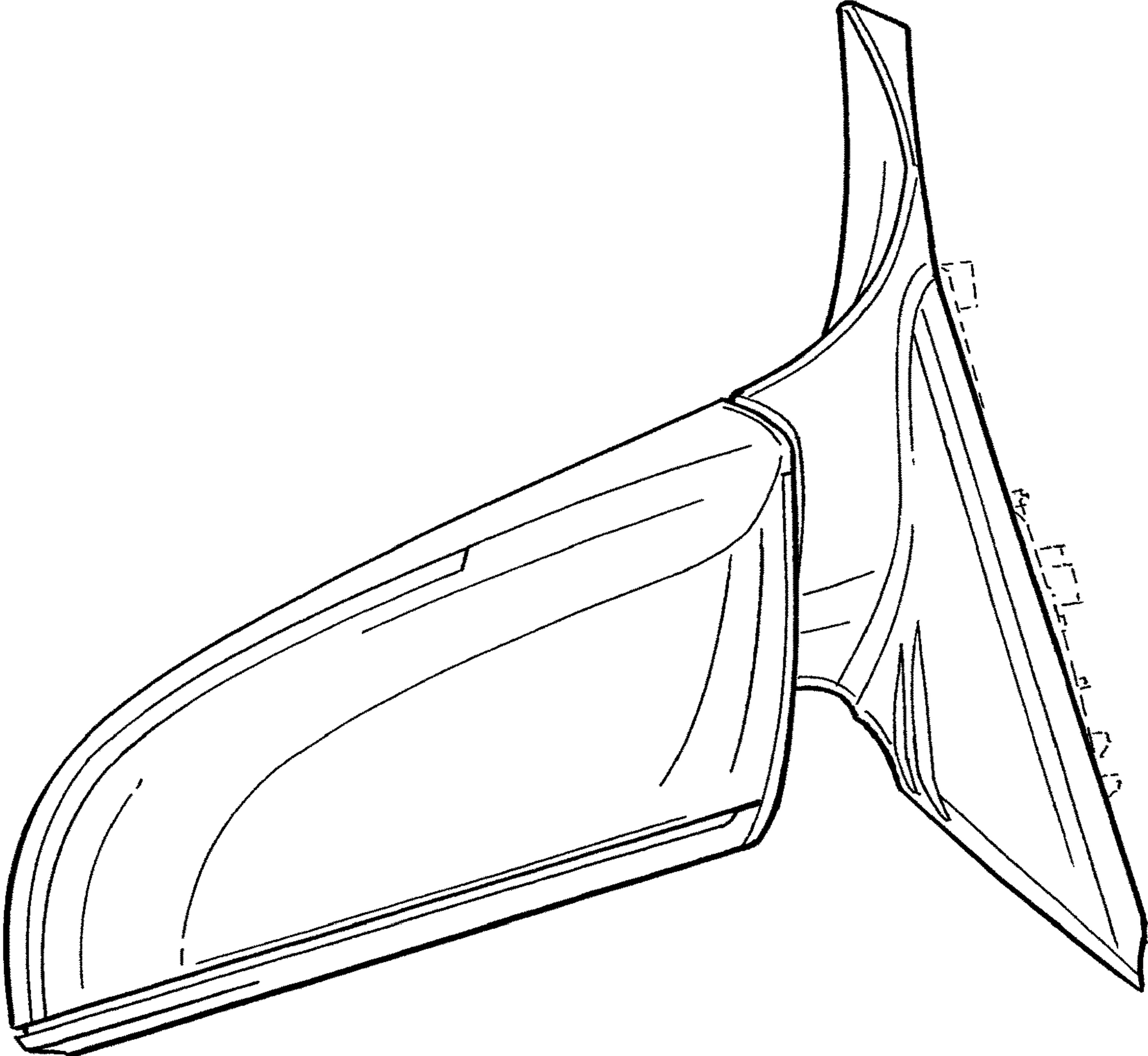


FIG. 5

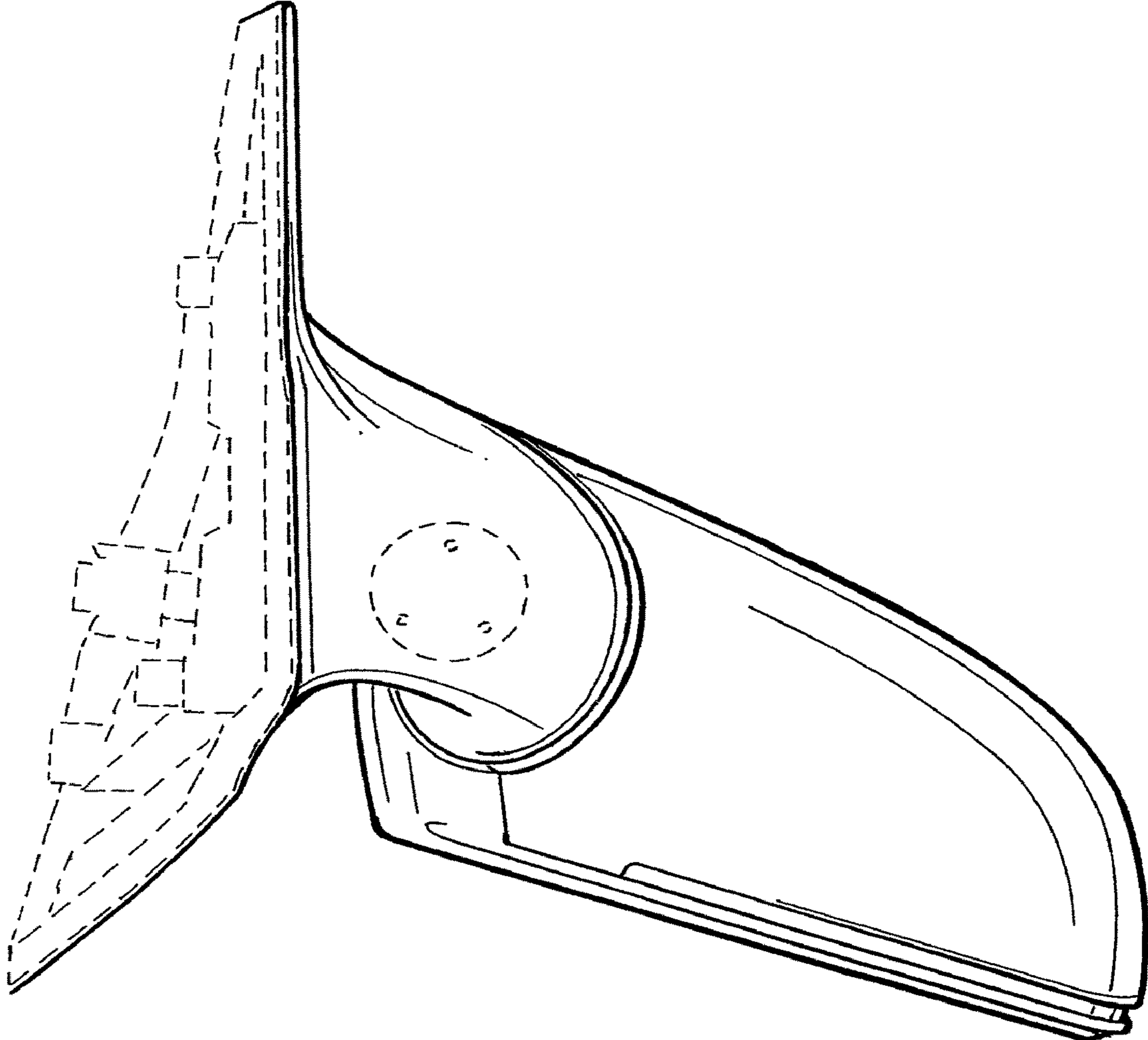


FIG. 6

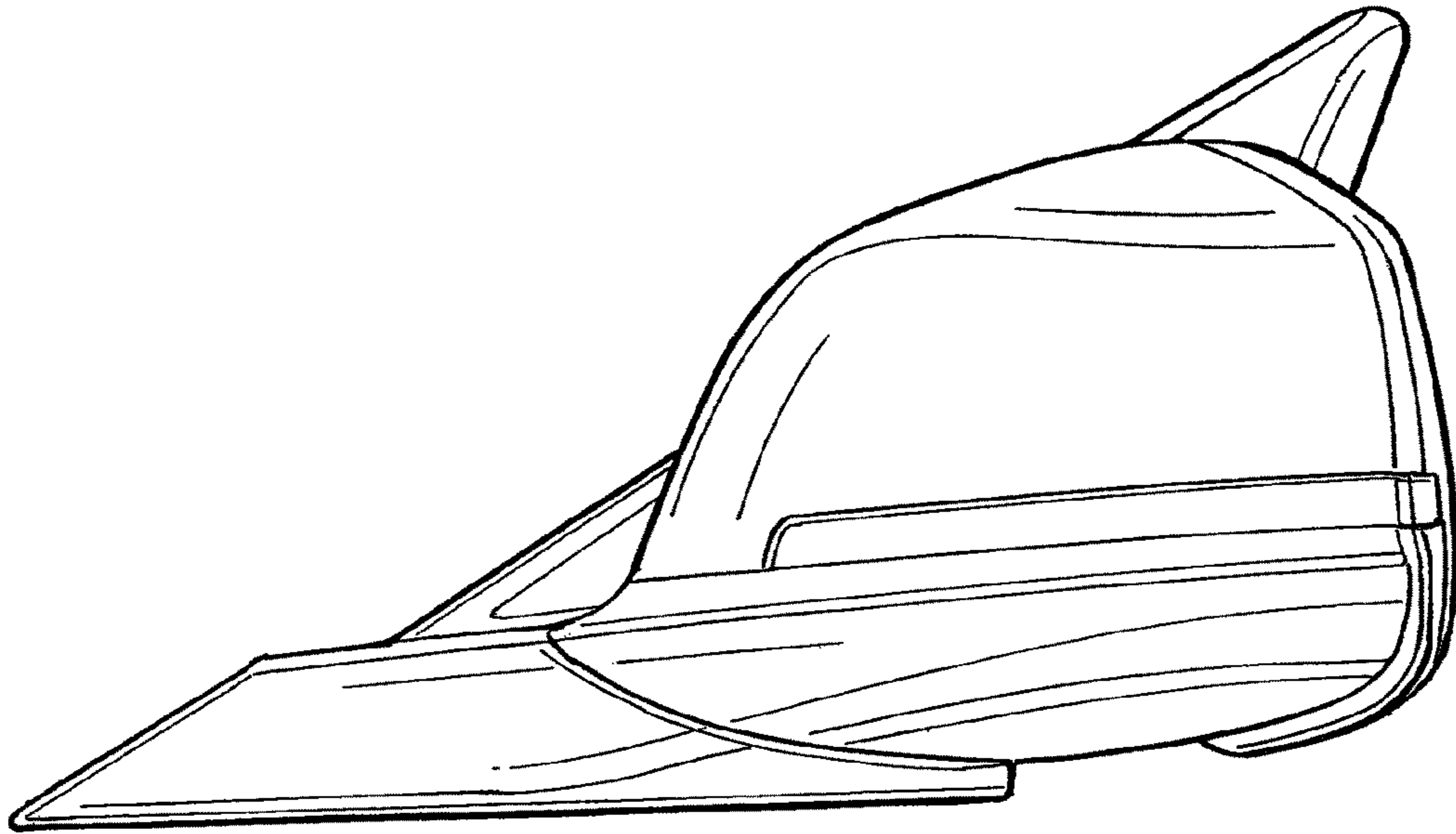


FIG. 7

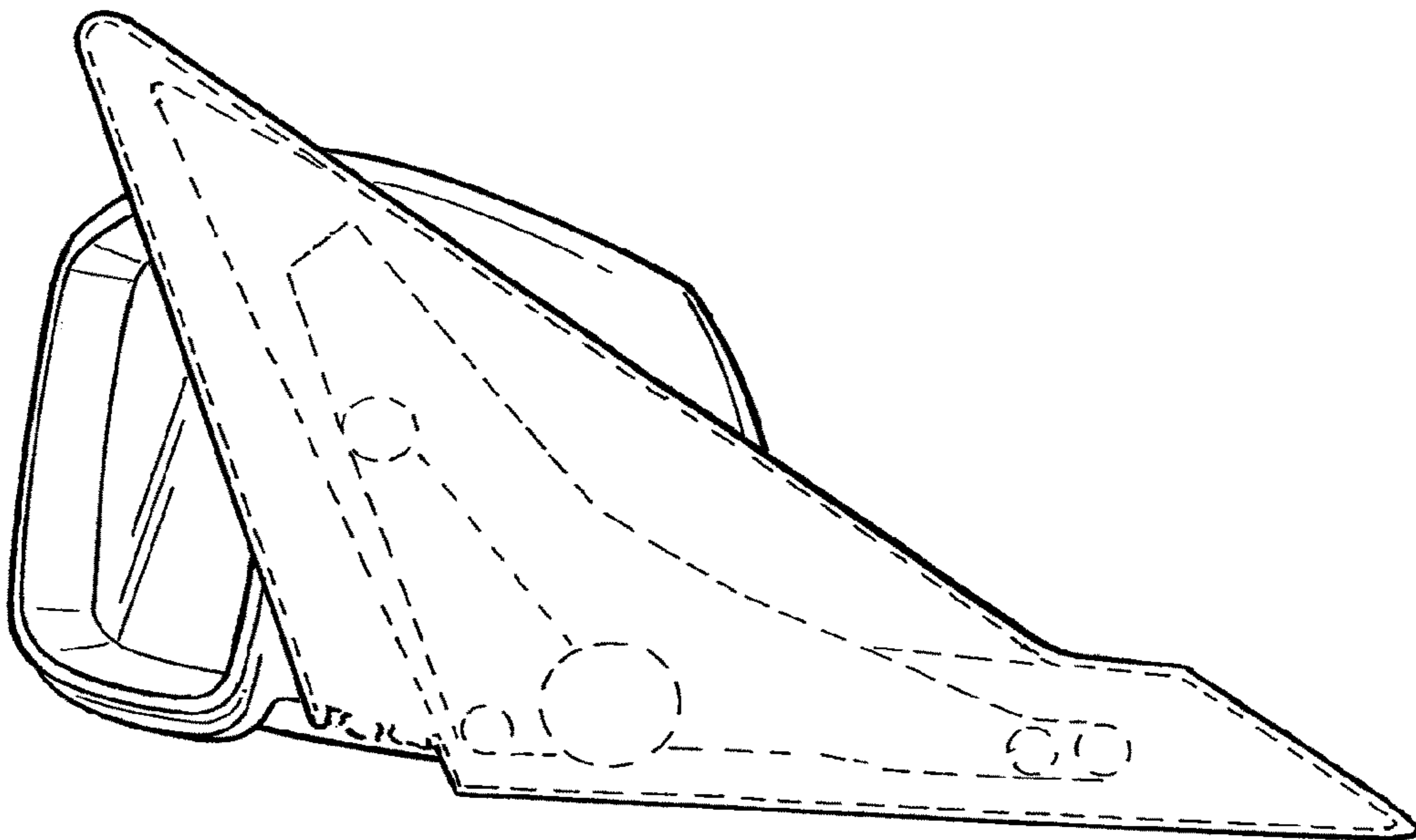


FIG. 8

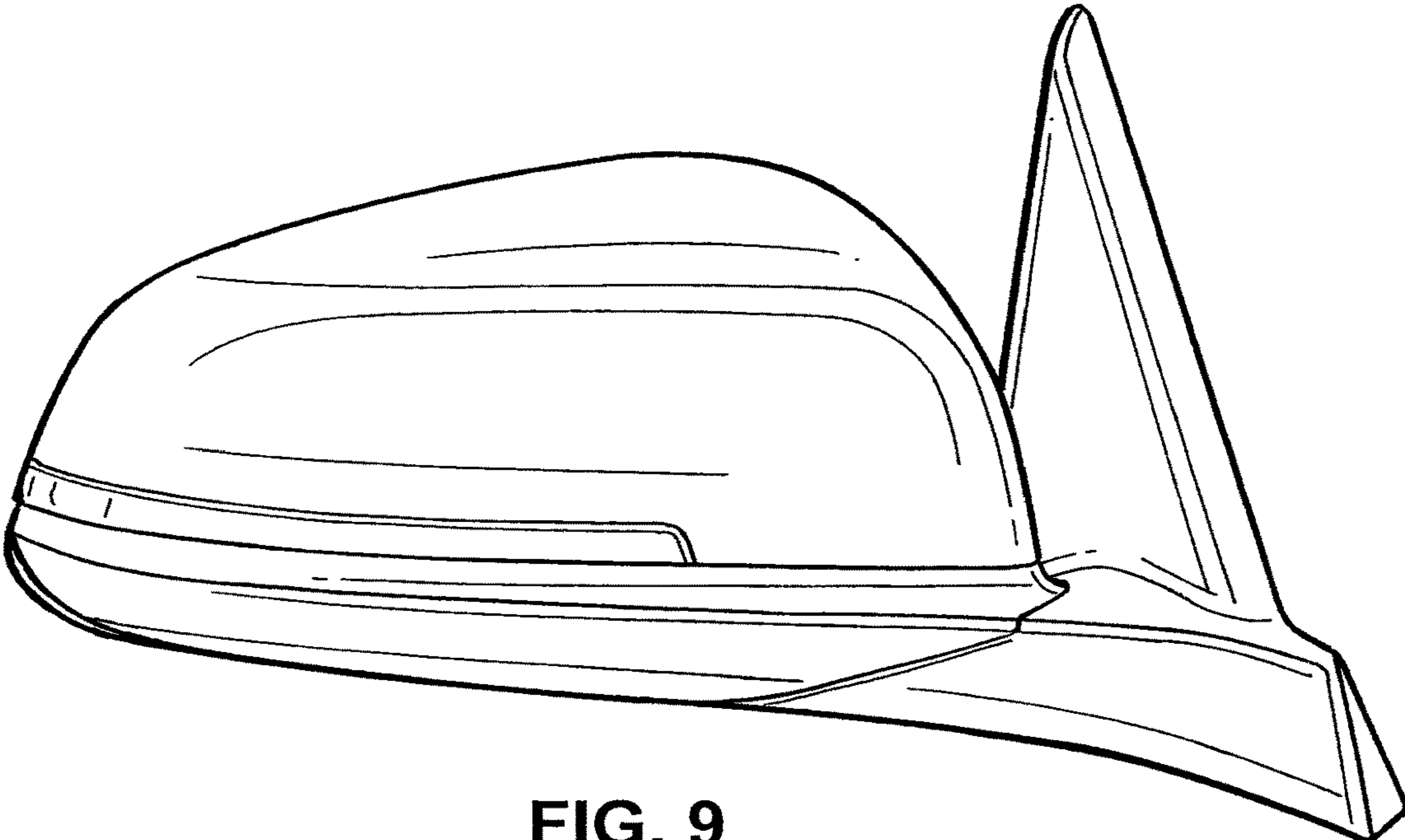


FIG. 9

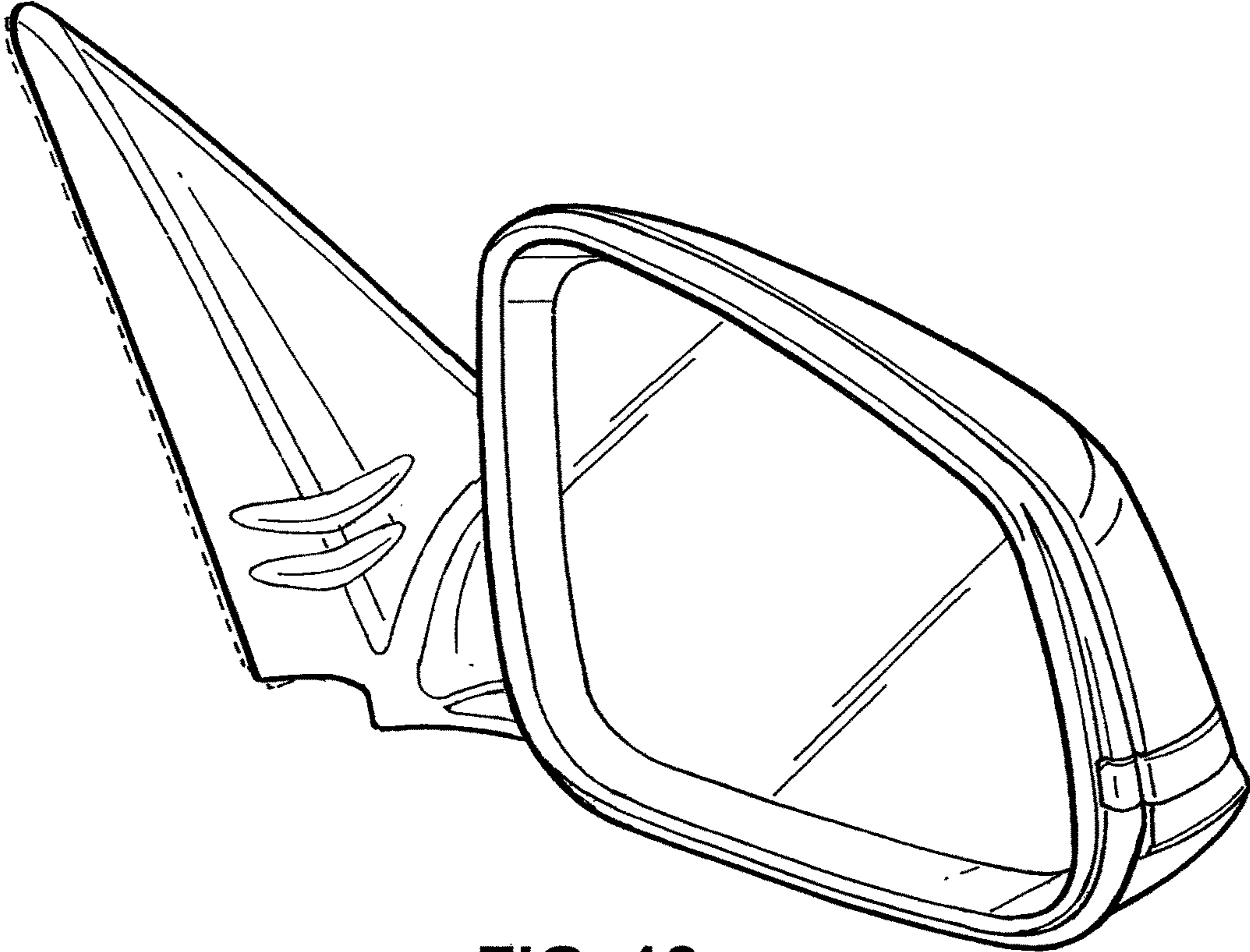


FIG. 10

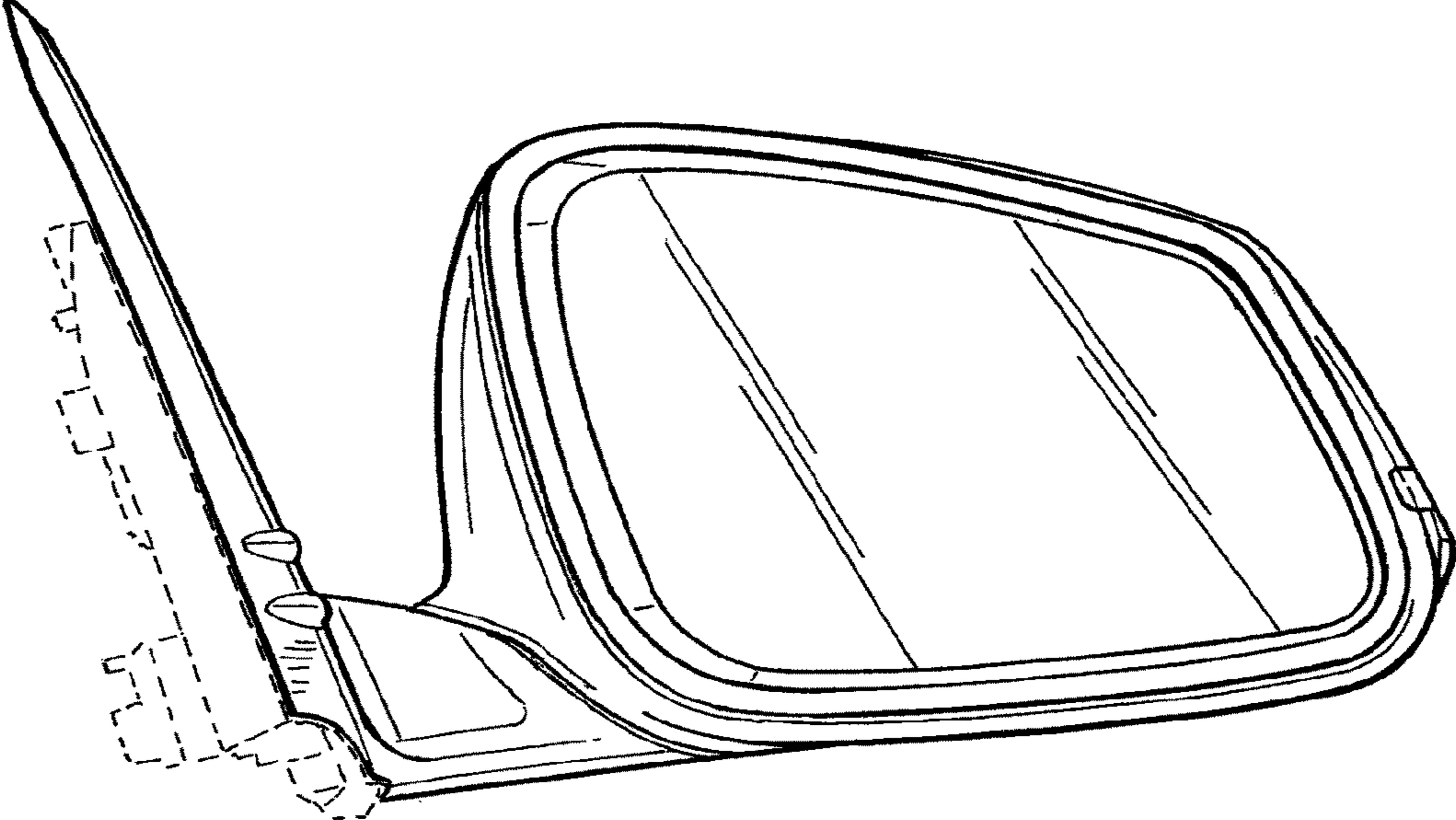


FIG. 11

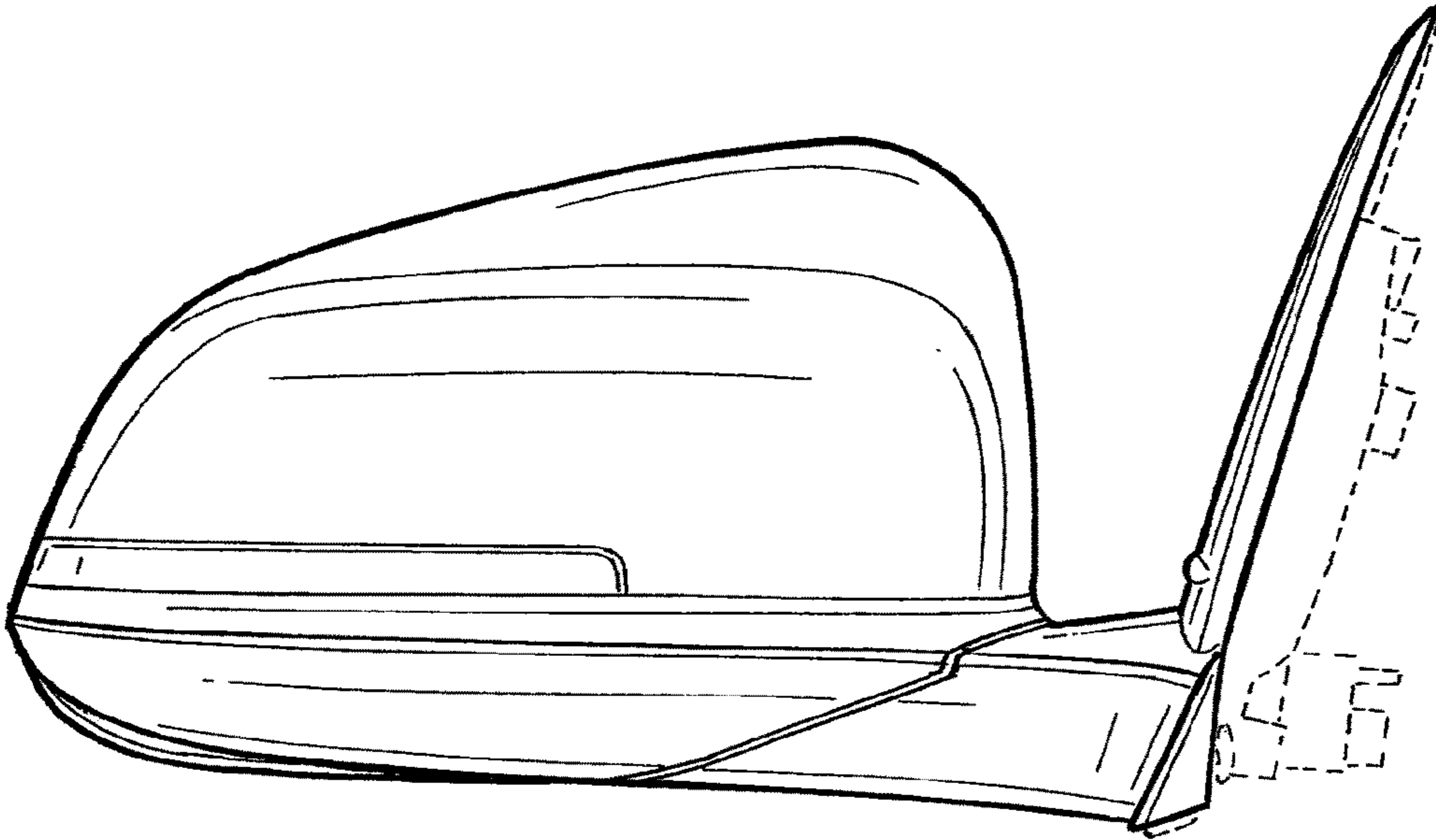


FIG. 12

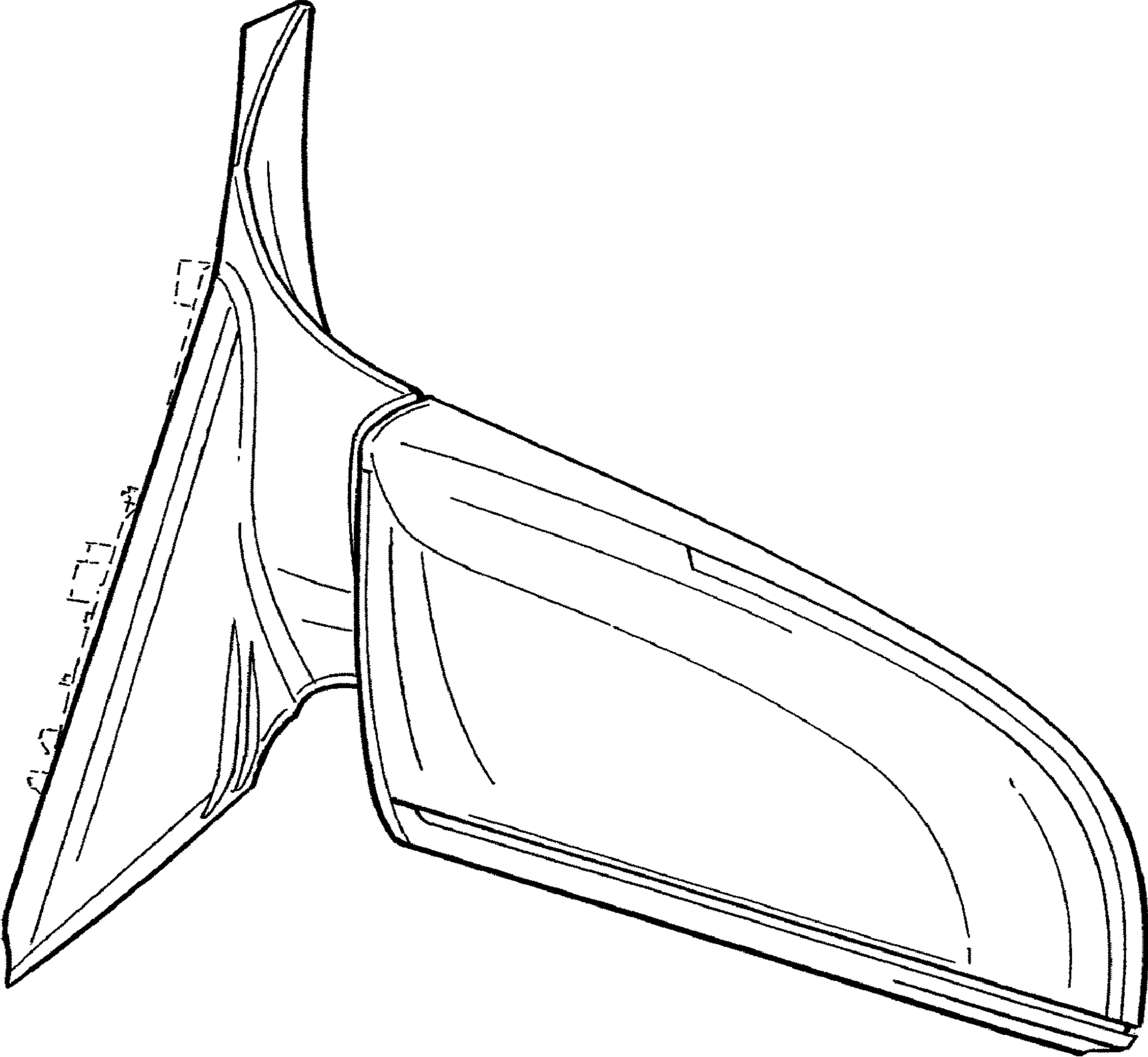


FIG. 13

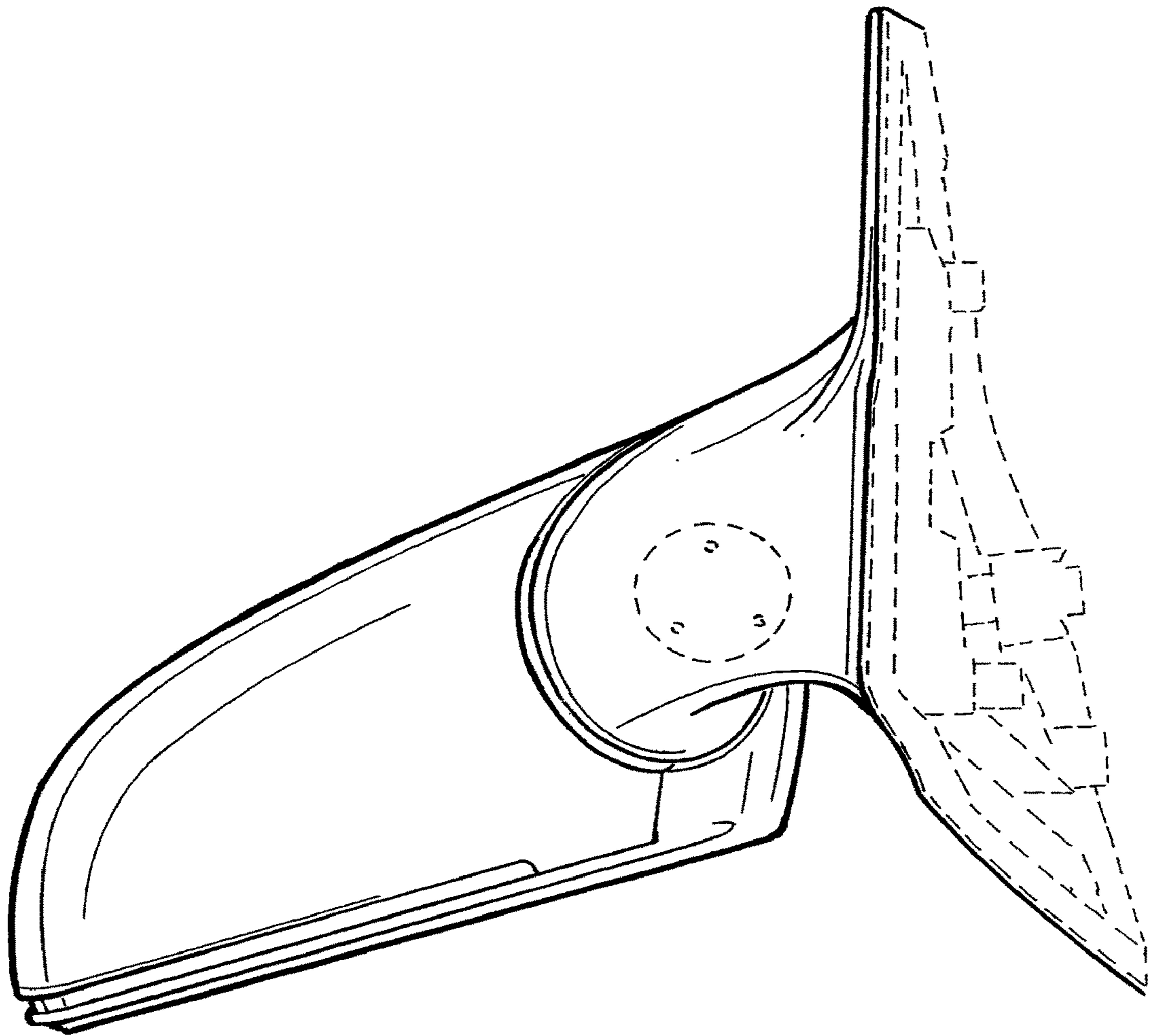


FIG. 14

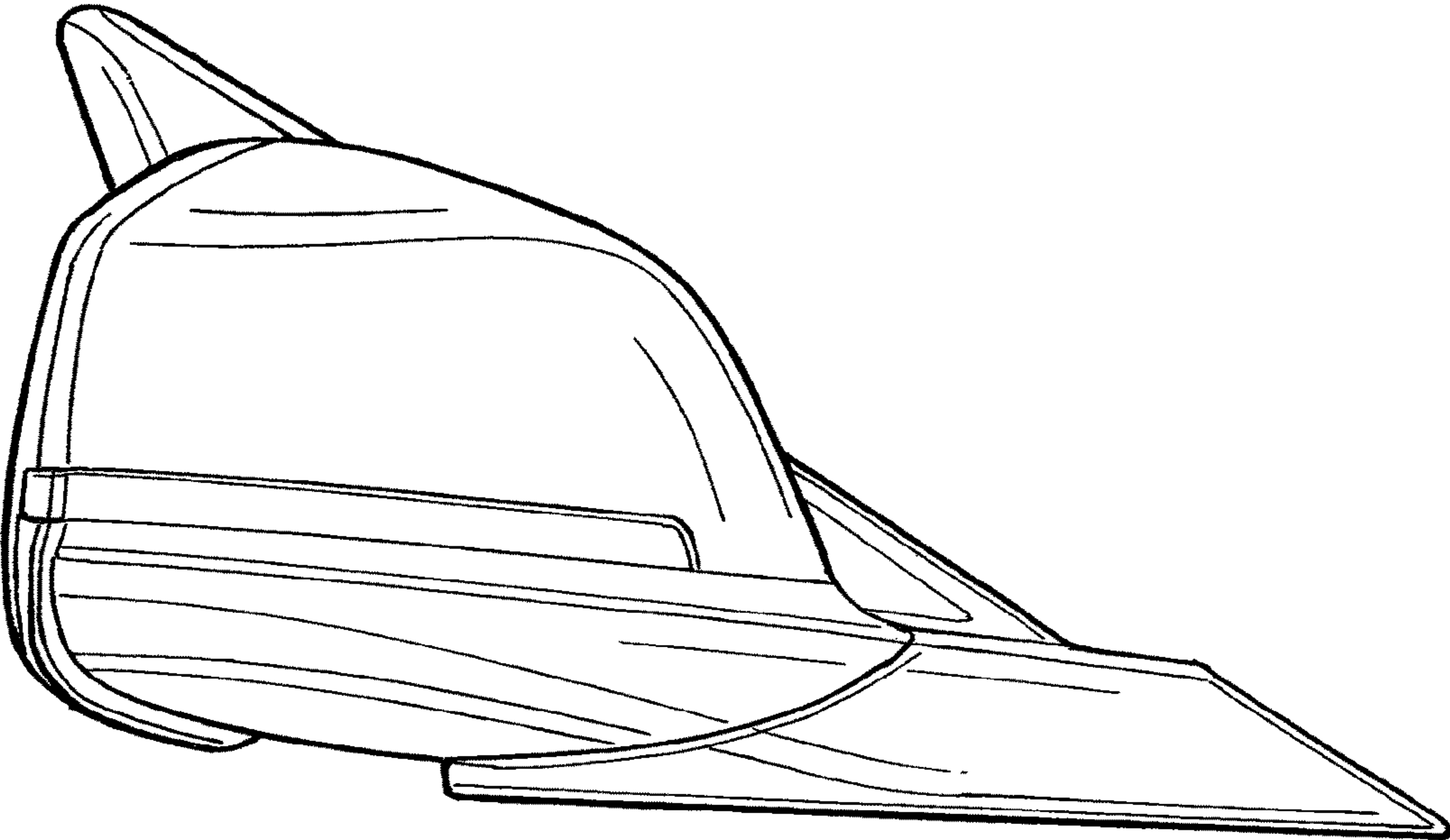


FIG. 15

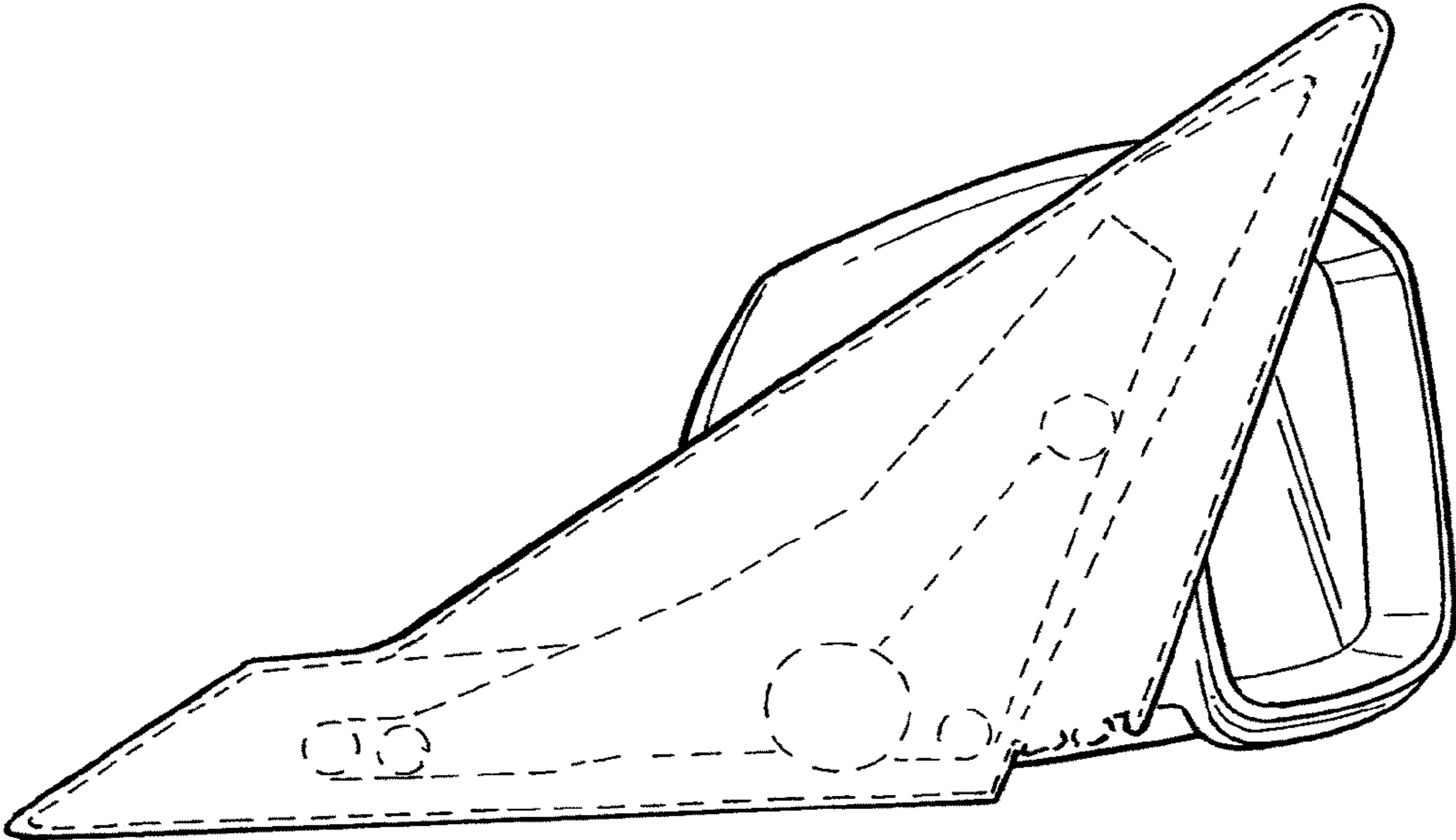


FIG. 16