



US00D661630S

(12) **United States Design Patent**
Fehring

(10) **Patent No.:** **US D661,630 S**

(45) **Date of Patent:** **** Jun. 12, 2012**

(54) **ROLLER LEVER**

(76) Inventor: **Michael C. Fehring**, Cincinnati, OH
(US)

(**) Term: **14 Years**

(21) Appl. No.: **29/379,564**

(22) Filed: **Nov. 22, 2010**

(51) **LOC (9) Cl.** **12-16**

(52) **U.S. Cl.** **D12/179**

(58) **Field of Classification Search** D12/174,
D12/179; D14/412-416, 302; D21/324,
D21/328, 333, 565, 566; 74/473.14, 473.16,
74/473.23, 473.29, 473.3, 490.14, 523, 543,
74/573.1; 446/7, 430; 477/113

See application file for complete search history.

(56) **References Cited**

U.S. PATENT DOCUMENTS

4,111,291	A	9/1978	Horstman	
D392,608	S *	3/1998	Pingel et al.	D12/179
D392,609	S *	3/1998	Pingel et al.	D12/179
D422,253	S *	4/2000	Boykin	D12/179
D443,238	S *	6/2001	Carlson	D12/179
D445,741	S *	7/2001	Carlson	D12/179
6,279,711	B1	8/2001	Fehring	
6,536,574	B2	3/2003	Fehring	

OTHER PUBLICATIONS

Standard Weight Lever (Part No. 098-115), Bully Online Store, www.buller.net, found on Feb. 25, 2008 (3 pages).

* cited by examiner

Primary Examiner — Melody N Brown

(74) *Attorney, Agent, or Firm* — Wood, Herron & Evans, LLP

(57) **CLAIM**

The ornamental design for a roller lever, as shown and described.

DESCRIPTION

FIG. 1 is a perspective of a first embodiment of a roller lever. FIG. 2 is a front view of the roller lever of FIG. 1.

FIG. 3 is a rear side view of the roller lever of FIG. 1.

FIG. 4 is a right side view of the roller lever of FIG. 1.

FIG. 5 is a left side view of the roller lever of FIG. 1.

FIG. 6 is a top view of the roller lever of FIG. 1 (the bottom view being a mirror image of this view).

FIG. 7 is a cross-sectional view taken along line 7-7 of FIG. 2.

FIG. 8 is a perspective of a second embodiment of a roller lever.

FIG. 9 is a front view of the roller lever of FIG. 8.

FIG. 10 is a rear side view of the roller lever of FIG. 8.

FIG. 11 is a right side view of the roller lever of FIG. 8.

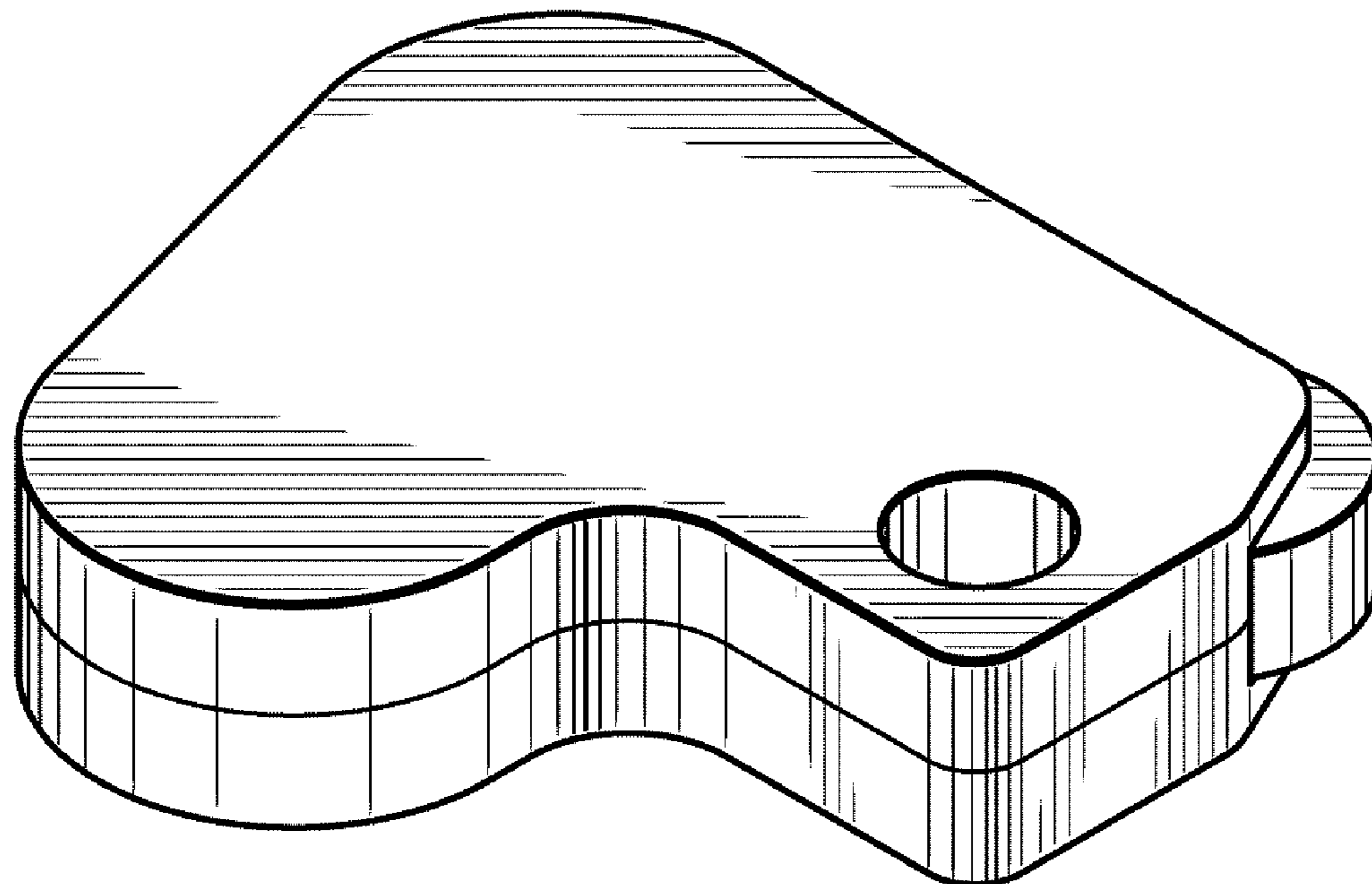
FIG. 12 is a left side view of the roller lever of FIG. 8.

FIG. 13 is a top view of the roller lever of FIG. 8; and,

FIG. 14 is a bottom view of the roller lever of FIG. 8.

The broken lines shown in FIGS. 8, 13, and 14 are for illustrative purposes only, and form no part of the claimed roller lever. The broken lines adjacent to the shaded portion in FIG. 7 forms an unclaimed boundary of the design.

1 Claim, 2 Drawing Sheets



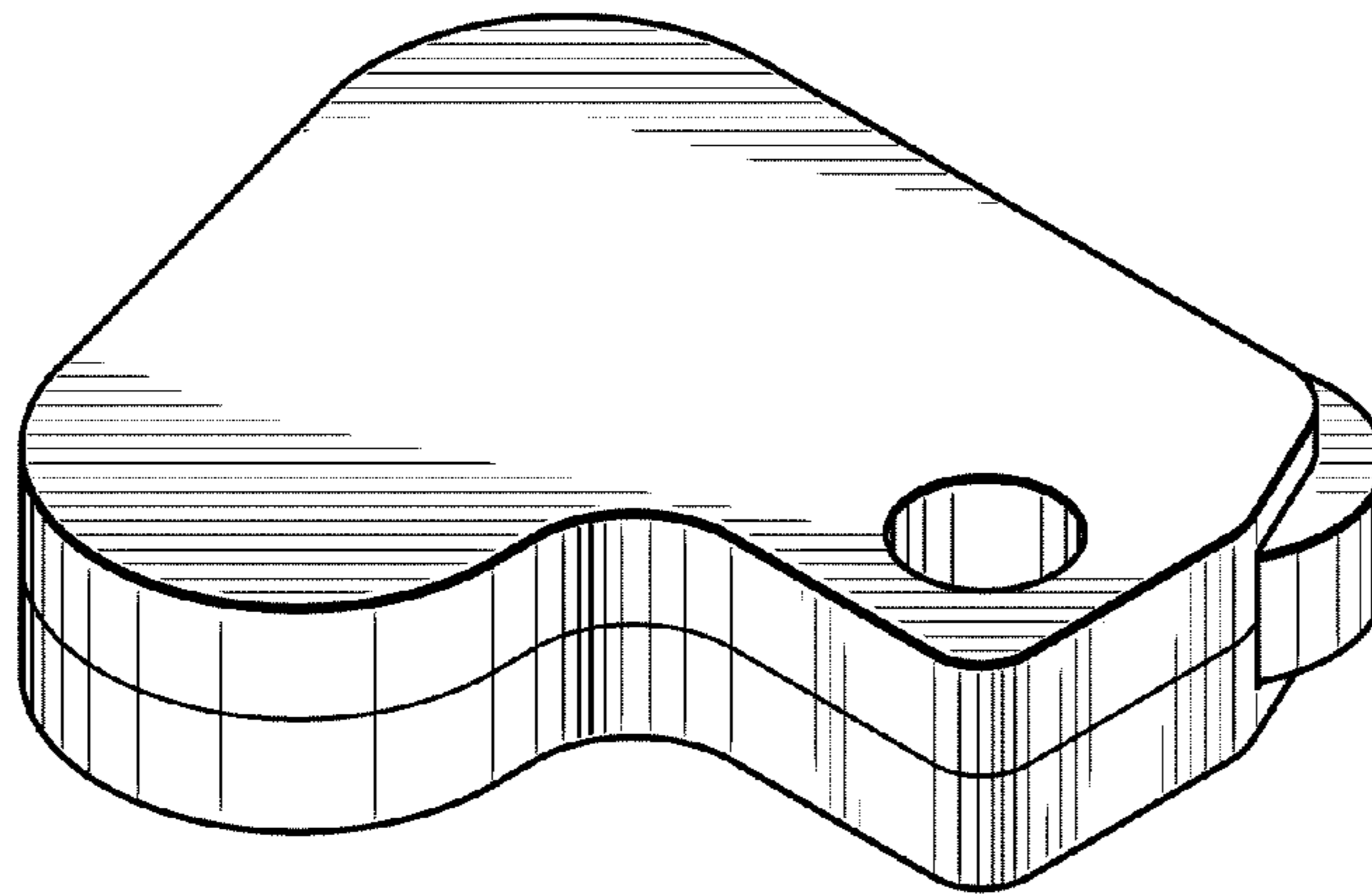


FIG. 1



FIG. 2

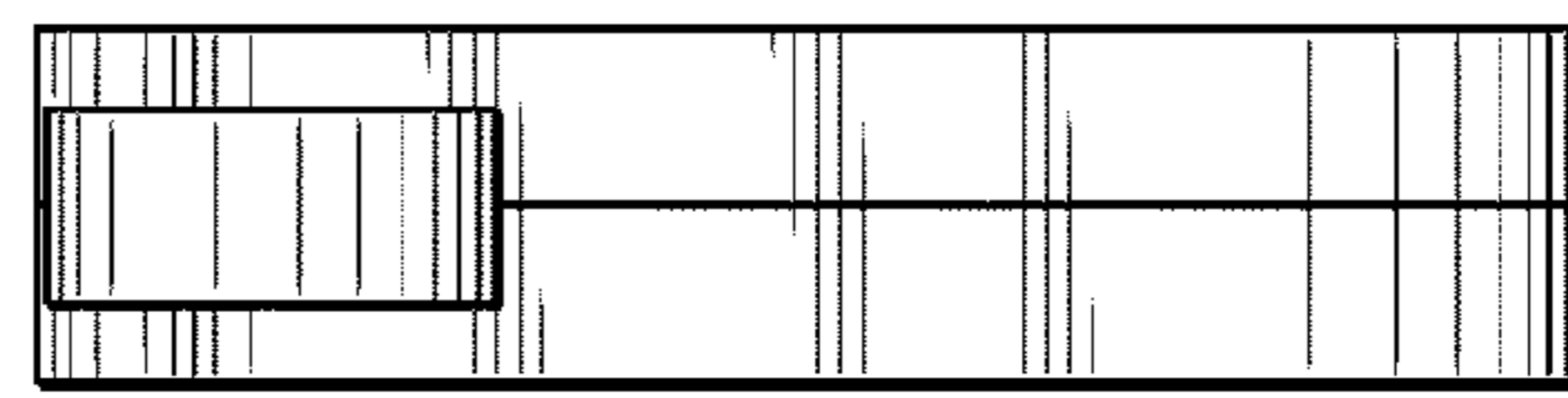


FIG. 3

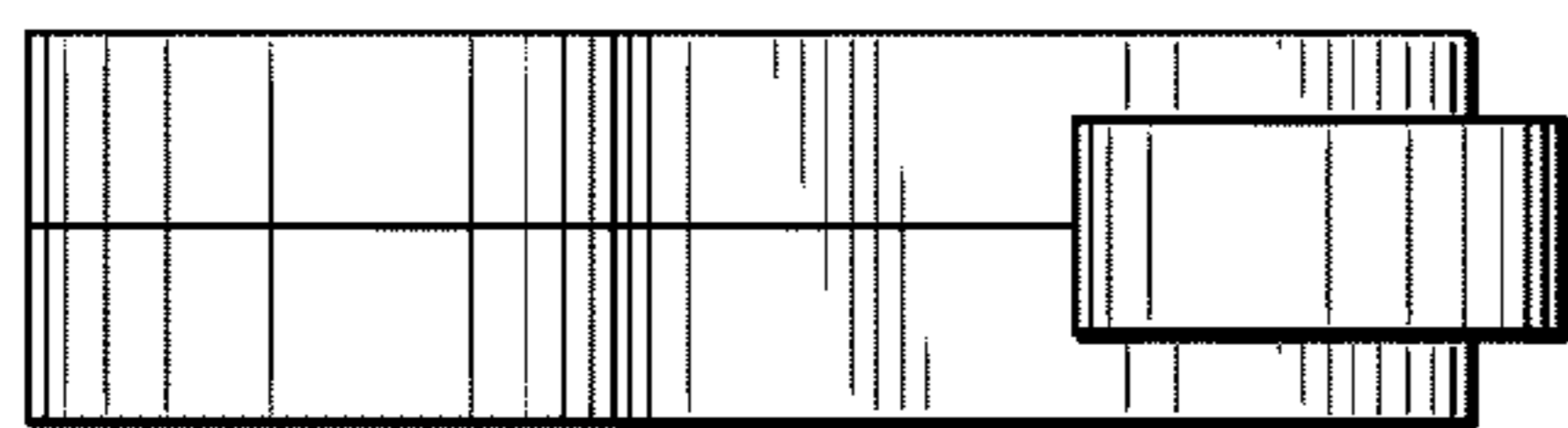


FIG. 4

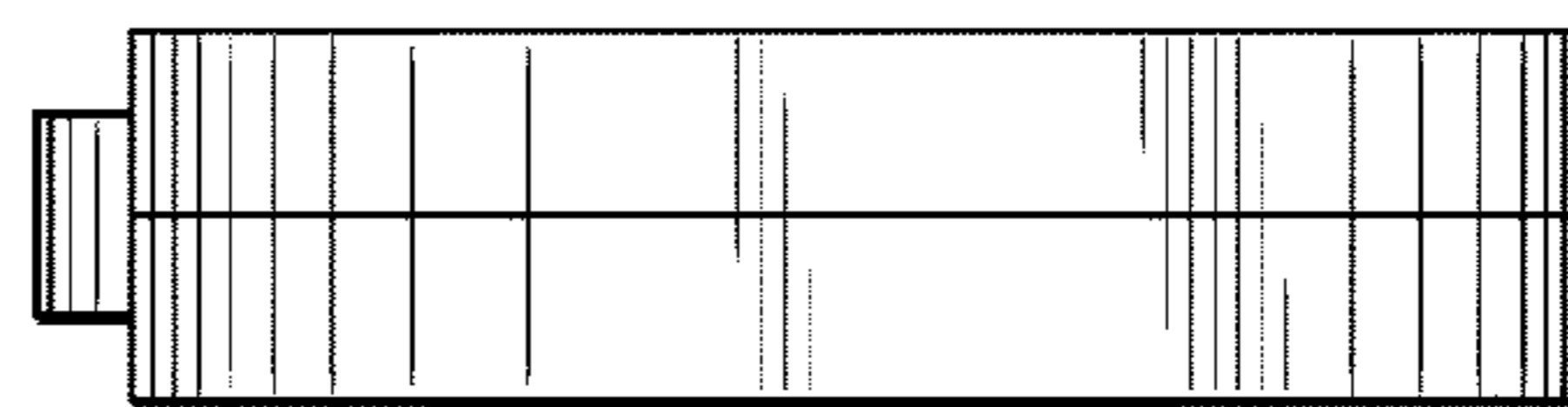


FIG. 5

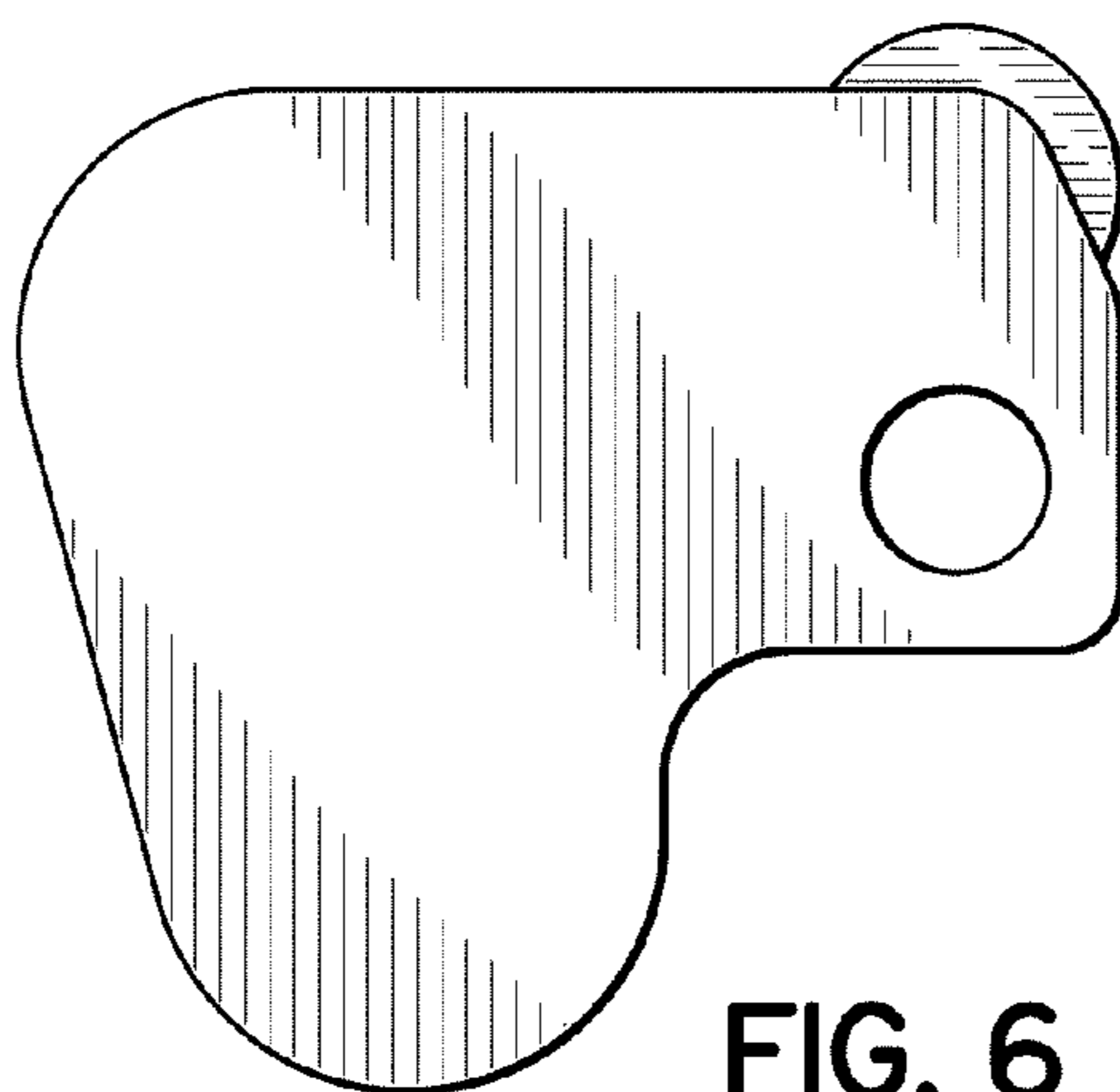


FIG. 6

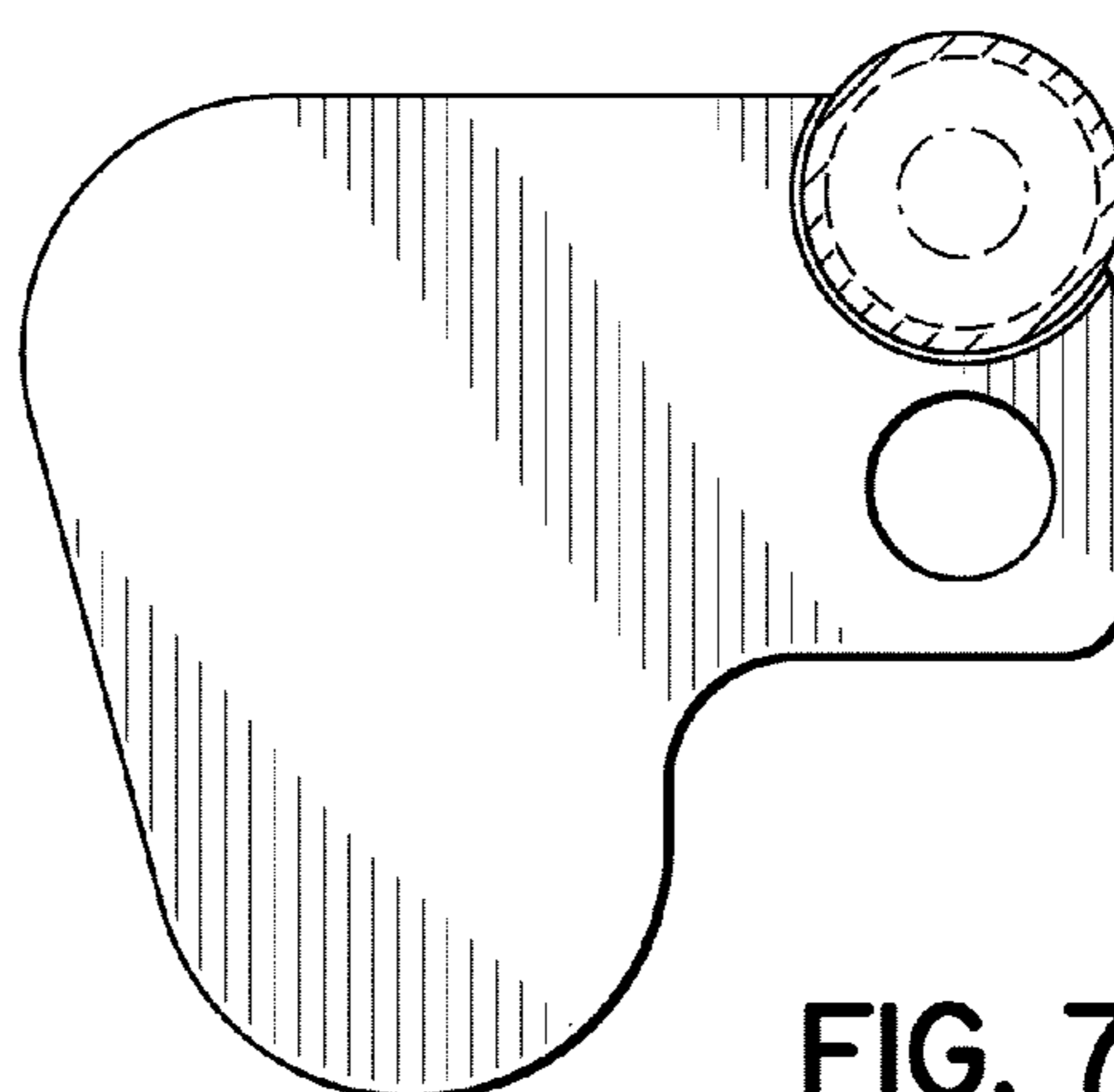


FIG. 7

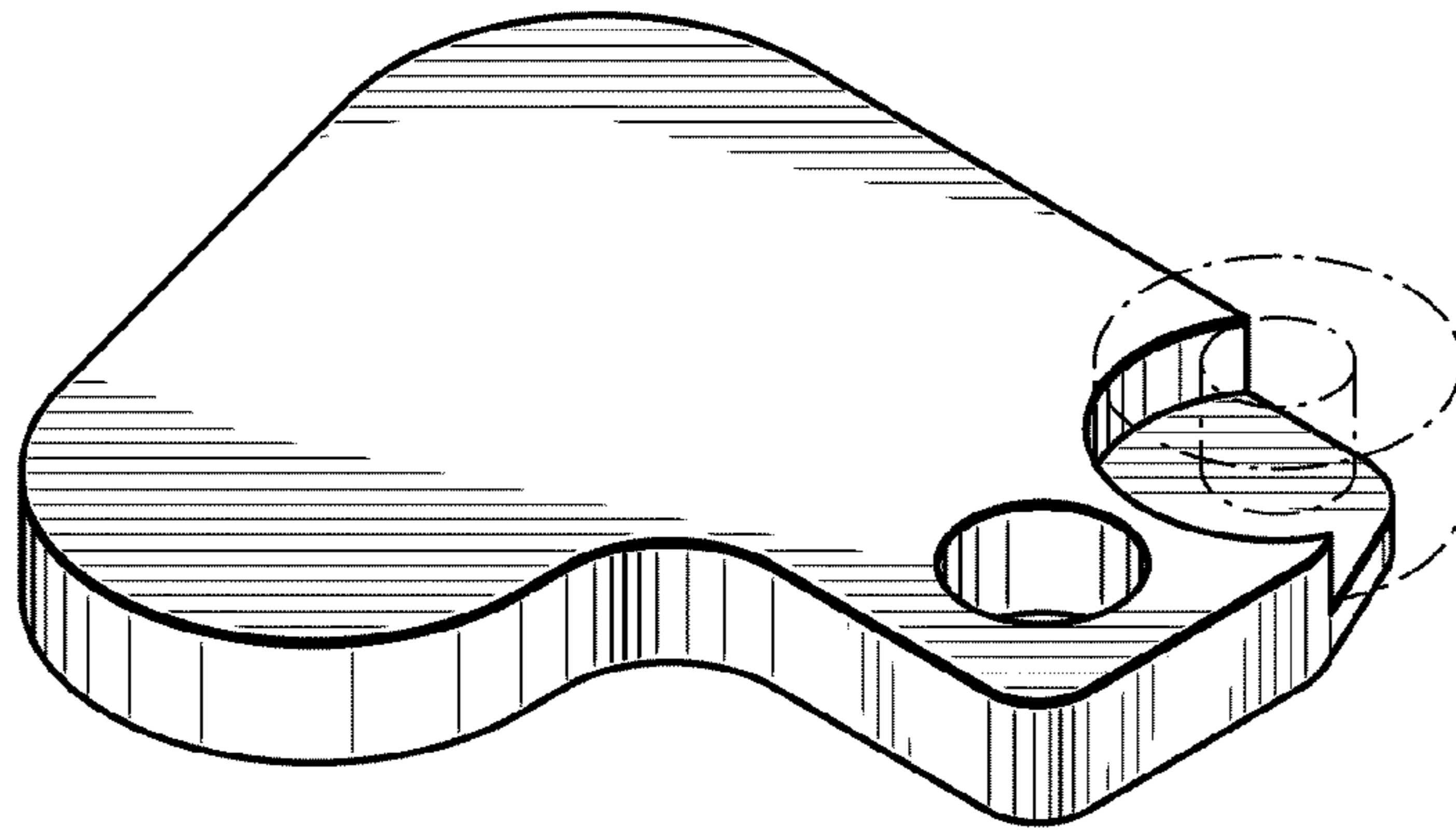


FIG. 8



FIG. 9

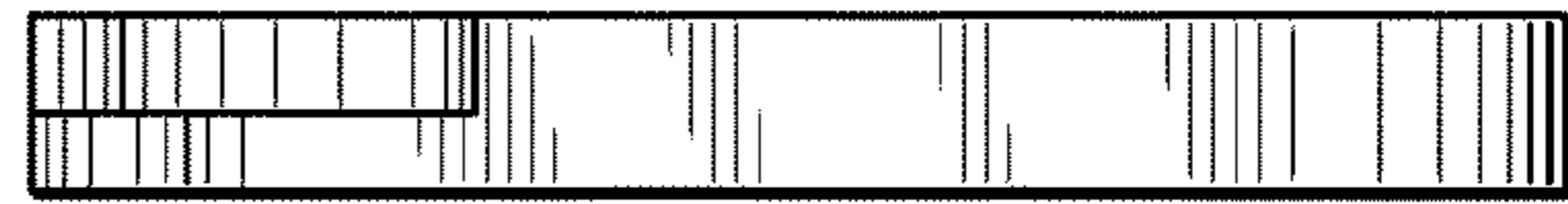


FIG. 10

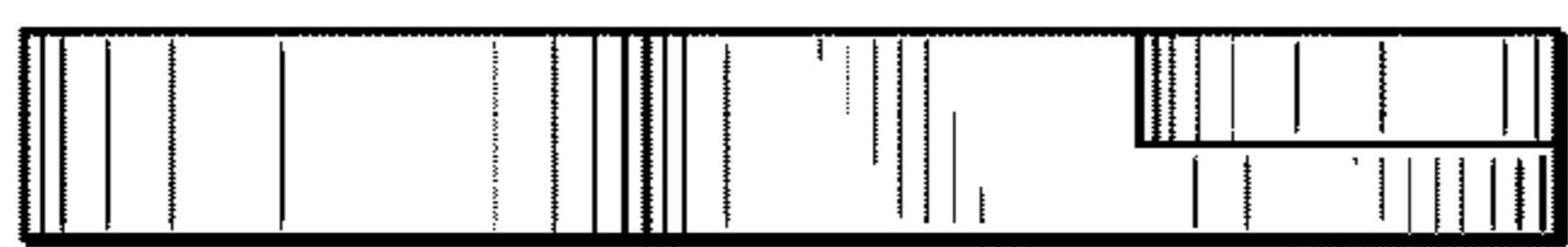


FIG. 11

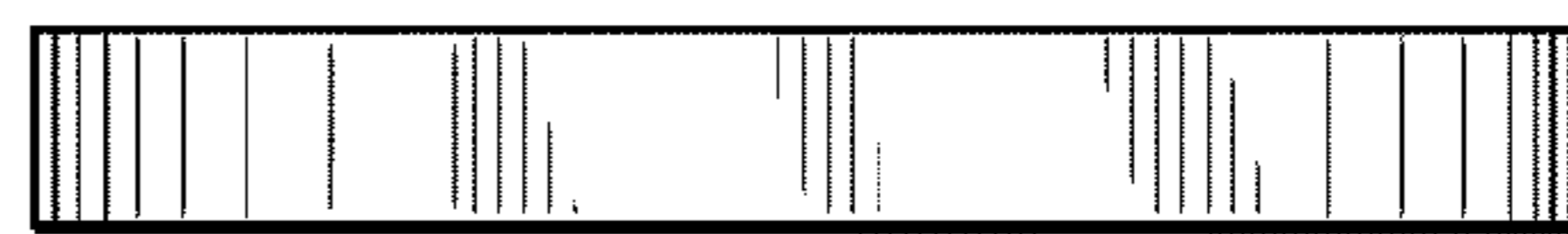


FIG. 12

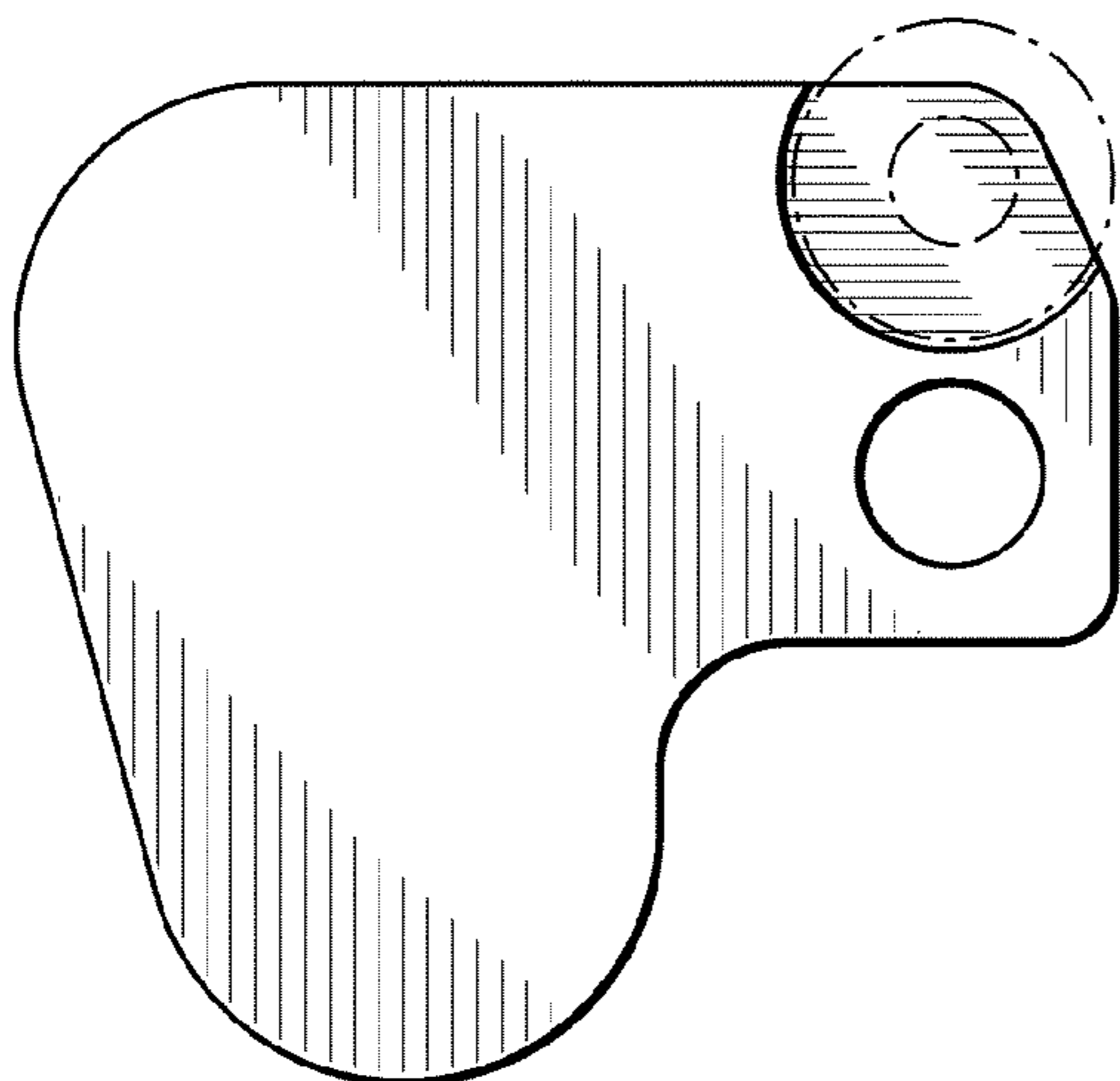


FIG. 13

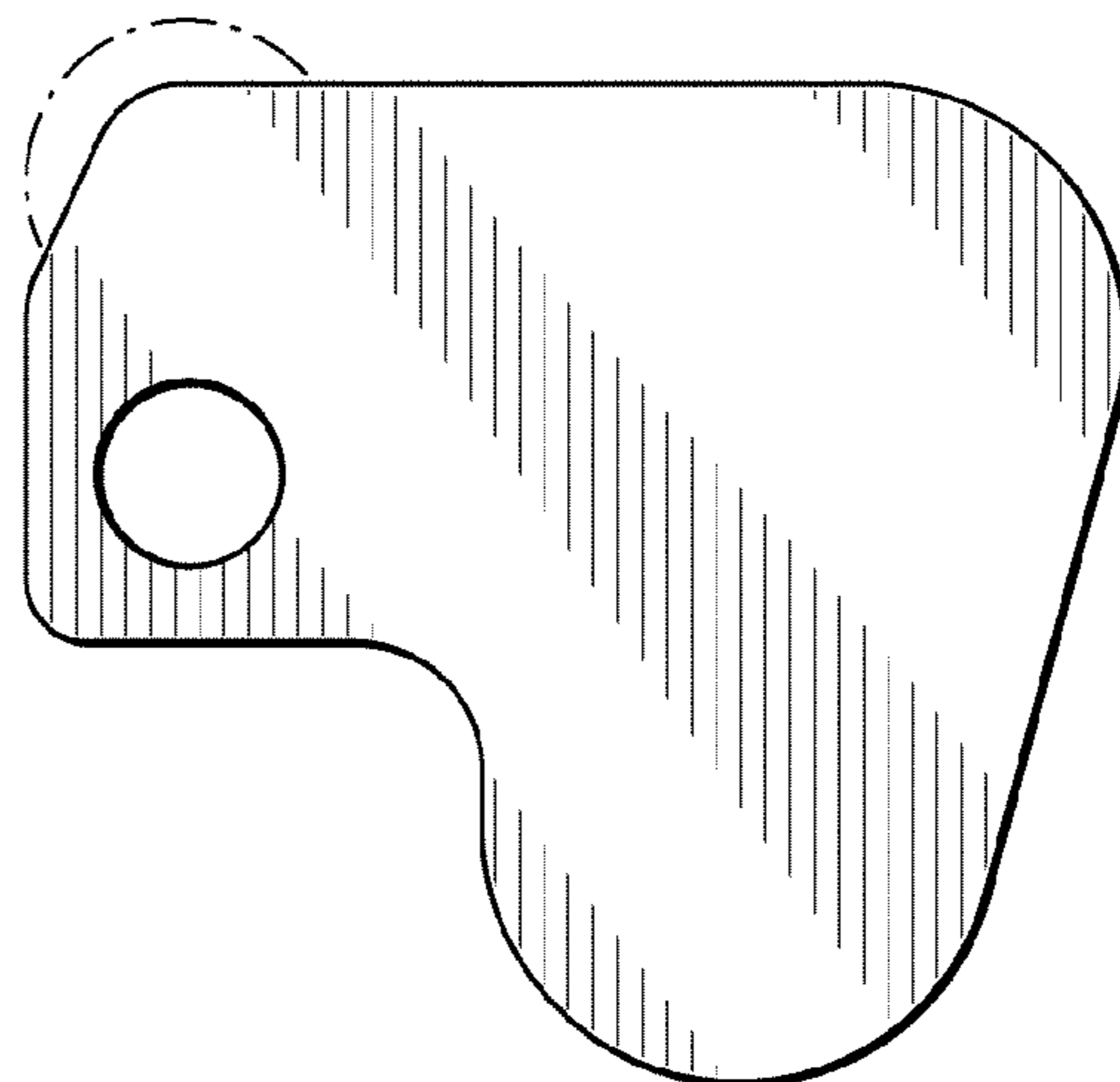


FIG. 14

UNITED STATES PATENT AND TRADEMARK OFFICE
CERTIFICATE OF CORRECTION

PATENT NO. : D661,630 S
APPLICATION NO. : 29/379564
DATED : June 12, 2012
INVENTOR(S) : Thomas C. Fehring

Page 1 of 1

It is certified that error appears in the above-identified patent and that said Letters Patent is hereby corrected as shown below:

Column 1, Title Page (item 76)

Inventor Line, change "Michael" to --Thomas--.

Column 2, Title Page (Description)

Last Line, change "forms" to --form--.

Signed and Sealed this
Fourteenth Day of August, 2012

A handwritten signature in black ink that reads "David J. Kappos". The signature is written in a cursive style with a large, stylized 'D' and 'K'.

David J. Kappos
Director of the United States Patent and Trademark Office