



US00D661627S

(12) **United States Design Patent**
Noone et al.

(10) **Patent No.:** **US D661,627 S**
(45) **Date of Patent:** **** Jun. 12, 2012**

(54) **VEHICLE TOW HOOK**

(75) Inventors: **Matthew J. Noone**, Rochester Hills, MI (US); **Morio Ikeda**, Sao Paulo (BR); **Daniel S. Nozaki**, Sao Paulo (BR)

(73) Assignee: **GM Global Technology Operations LLC**, Detroit, MI (US)

(**) Term: **14 Years**

(21) Appl. No.: **29/394,114**

(22) Filed: **Jun. 13, 2011**

(51) **LOC (9) Cl.** **12-16**

(52) **U.S. Cl.** **D12/162**

(58) **Field of Classification Search** D12/159, D12/160, 161, 162; 56/DIG. 14; 37/399; 280/406.2, 407, 407.1, 408, 411.1, 416.1, 280/416.2, 416.3, 418, 418.1, 433, 434, 435, 280/441.1, 441.2, 455.1, 456.1, 480, 493, 280/504, 508; 224/42.11, 42.12, 42.14, 42.26, 224/400, 401, 412, 413, 488, 494, 500-501, 224/519, 537; D8/367, 373, 380, 434

See application file for complete search history.

(56) **References Cited**

U.S. PATENT DOCUMENTS

D259,238 S * 5/1981 Schenck, III D8/307
D487,694 S * 3/2004 Ter Braak D8/373
D581,324 S * 11/2008 Fonk et al. D12/162

* cited by examiner

Primary Examiner — Michael Pratt

(74) *Attorney, Agent, or Firm* — Parks IP Law LLC; Mickki D. Murray

(57) **CLAIM**

The ornamental design for a vehicle tow hook, as shown and described.

DESCRIPTION

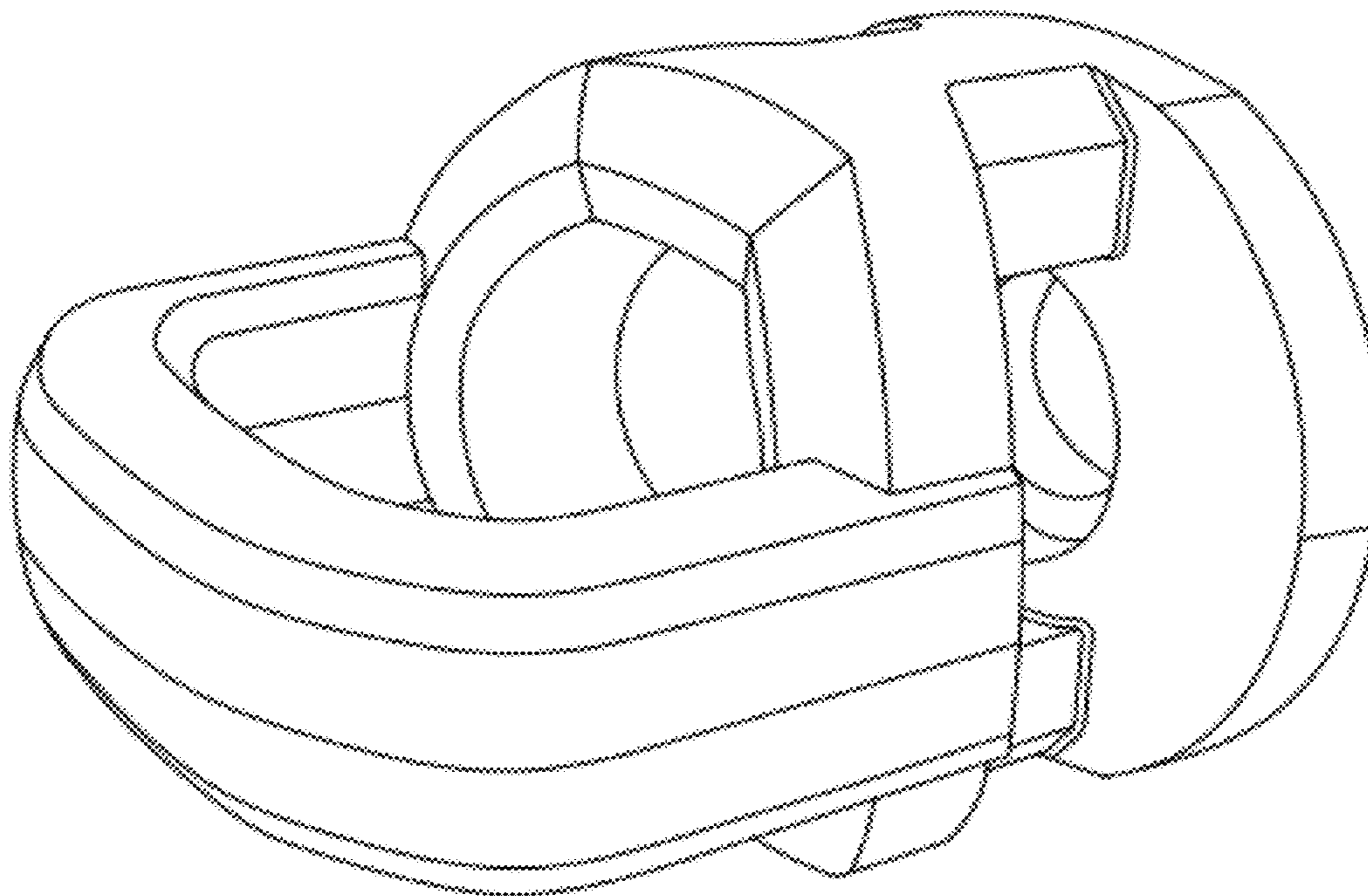
FIG. 1 is perspective of a vehicle tow hook showing the new design;

FIG. 2 is a side view, thereof;

FIG. 3 is a plan view, thereof; and,

FIG. 4 is a front view, thereof.

1 Claim, 2 Drawing Sheets



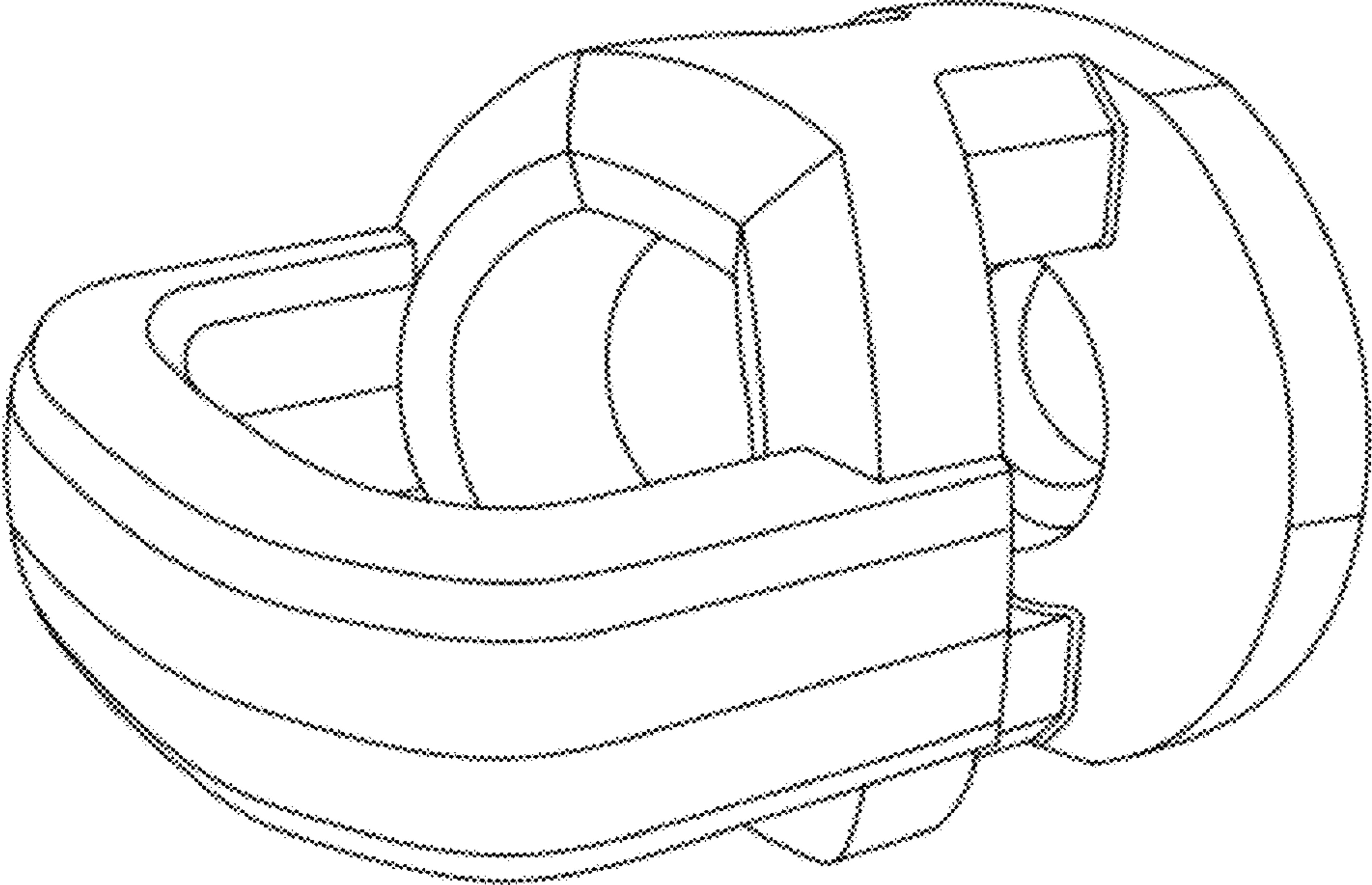


Fig-1

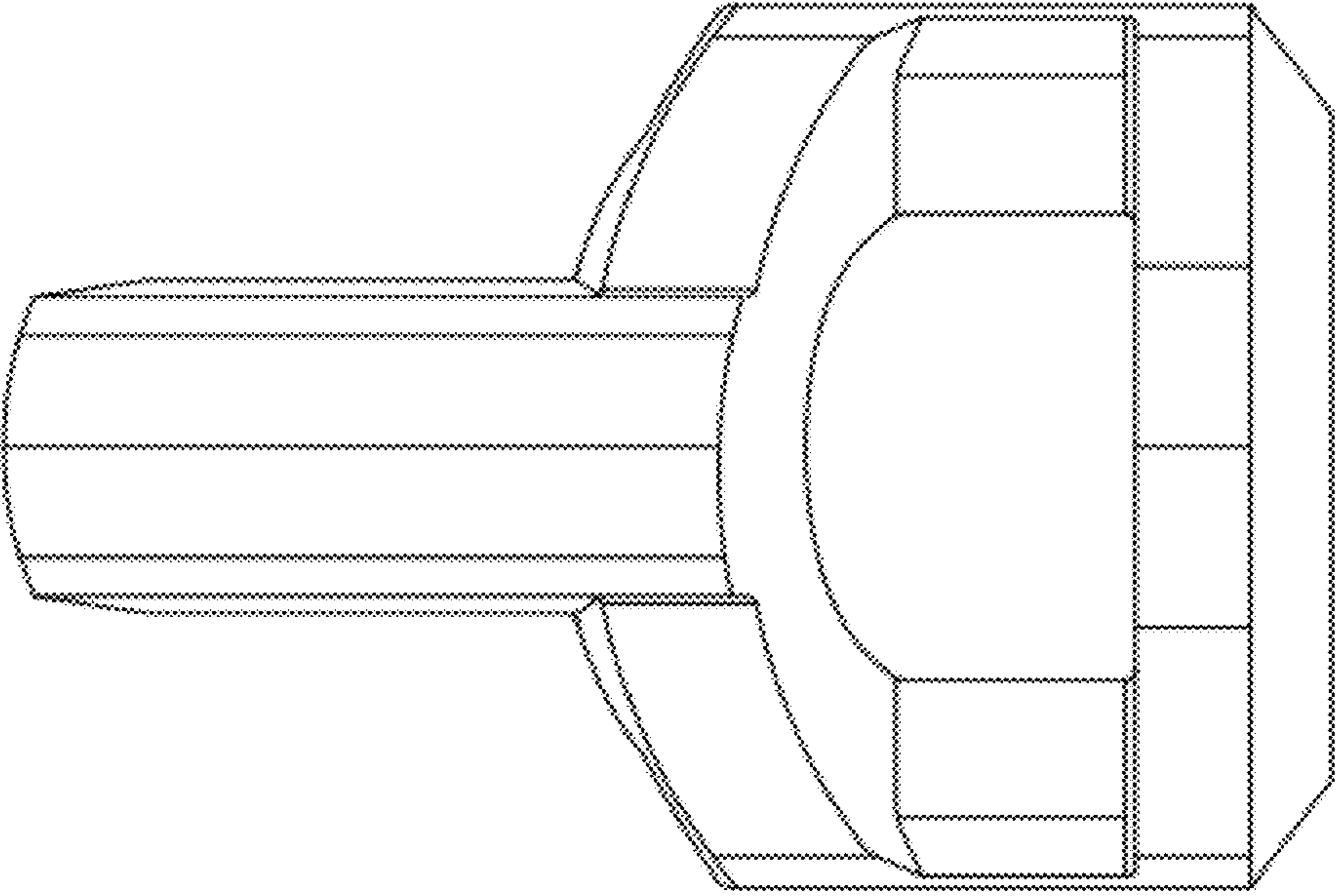


Fig-2

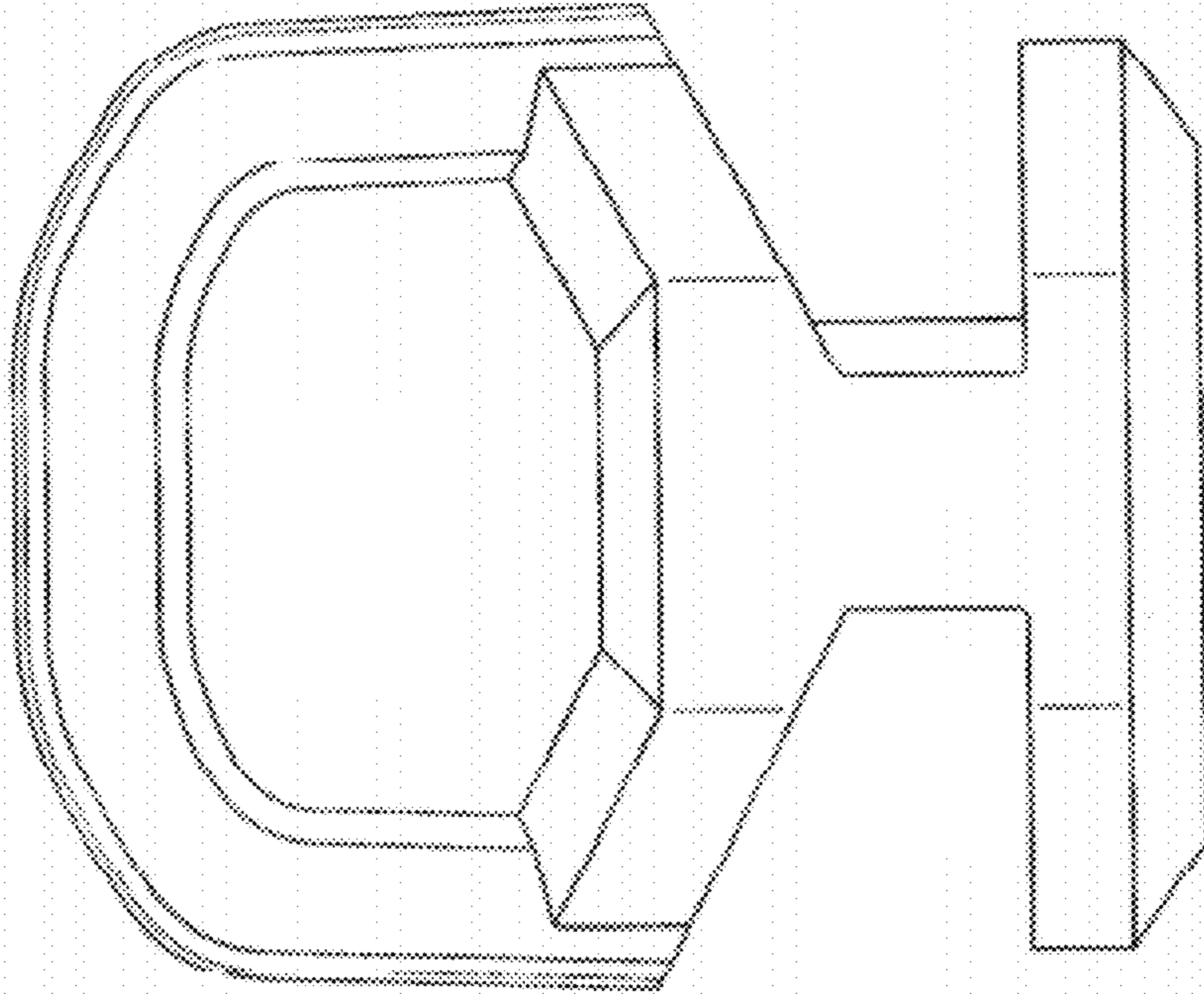


Fig-3

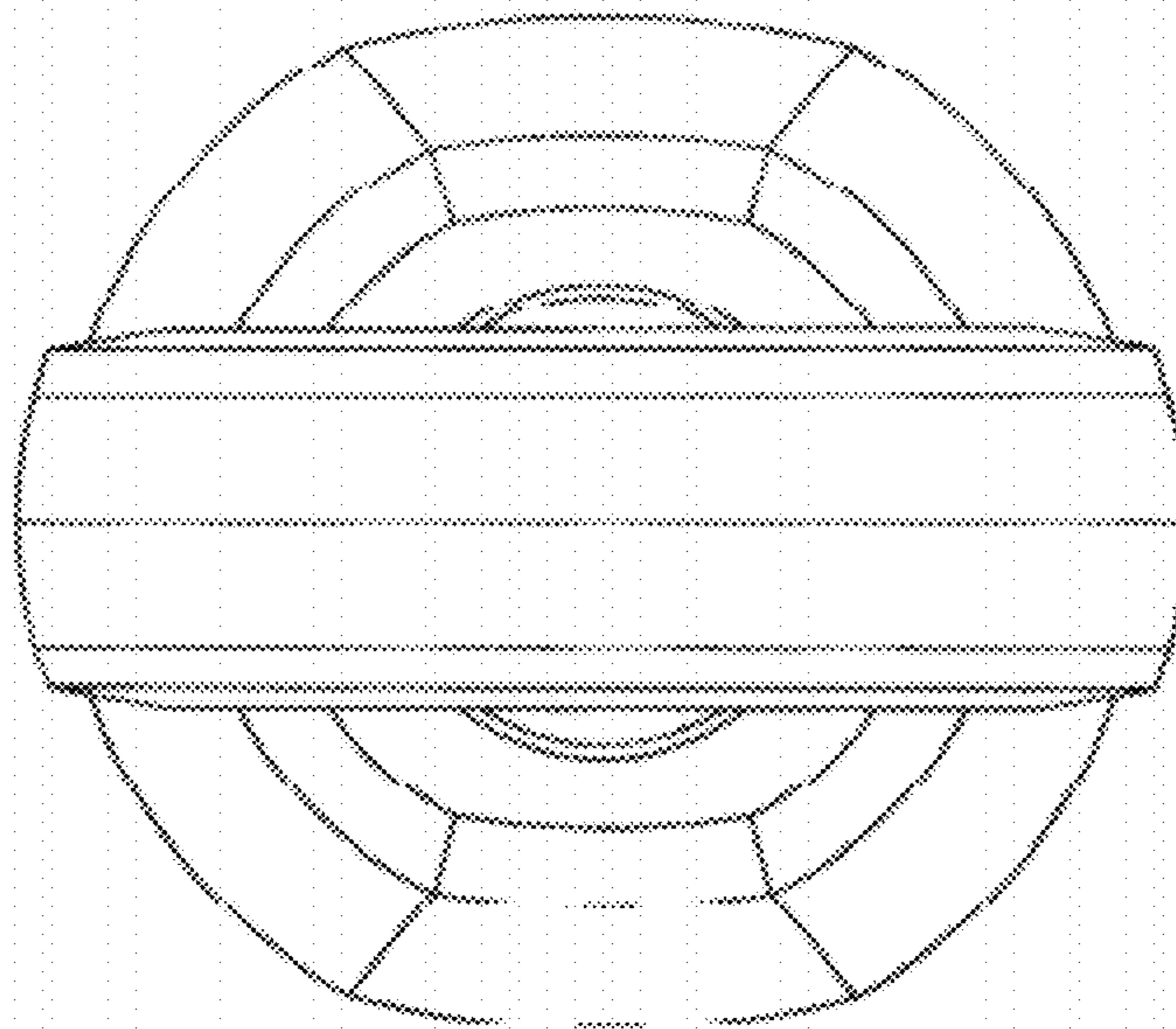


Fig-4