

US00D661625S

(12) **United States Design Patent**
Stopp

(10) **Patent No.:** **US D661,625 S**
(45) **Date of Patent:** **** Jun. 12, 2012**

(54) **STROLLER FRAME**

(75) Inventor: **Joaquim Jane Stopp**, Sant Cugat (ES)

(73) Assignee: **Play, S.A.**, Plegamans (ES)

(**) Term: **14 Years**

(21) Appl. No.: **29/382,103**

(22) Filed: **Dec. 29, 2010**

(30) **Foreign Application Priority Data**

Aug. 16, 2010 (EM) 001743683-0001

(51) **LOC (9) Cl.** **12-12**

(52) **U.S. Cl.** **D12/129**

(58) **Field of Classification Search** D12/128-133;
280/62, 647-650, 29, 200, 47.38, 250.1,
280/259, 642, 658; 296/65.03, 65.04; 224/409;
297/DIG. 4
See application file for complete search history.

(56) **References Cited**

U.S. PATENT DOCUMENTS

6,742,791 B2 * 6/2004 Lan 280/62
D558,099 S * 12/2007 Yang D12/129

D571,263 S * 6/2008 Lai D12/129
D578,045 S * 10/2008 Liao D12/129
D579,826 S * 11/2008 Grim D12/129
D585,336 S * 1/2009 van Buul et al. D12/129
D608,254 S * 1/2010 Grim D12/129

* cited by examiner

Primary Examiner — Ian Simmons

Assistant Examiner — Charles Hanson

(74) *Attorney, Agent, or Firm* — Cooper & Dunham LLP

(57) **CLAIM**

The ornamental design for a stroller frame, as shown and described.

DESCRIPTION

FIG. 1 is a front view of my ornamental design for a stroller frame;
FIG. 2 is a rear view of the stroller frame of FIG. 1;
FIG. 3 is a side perspective view of the stroller frame of FIG. 1; and,
FIG. 4 is a bottom view of the stroller frame of FIG. 1.
The dotted lines represent a brake handle and cable which form no part of the ornamental design claimed herein.

1 Claim, 4 Drawing Sheets

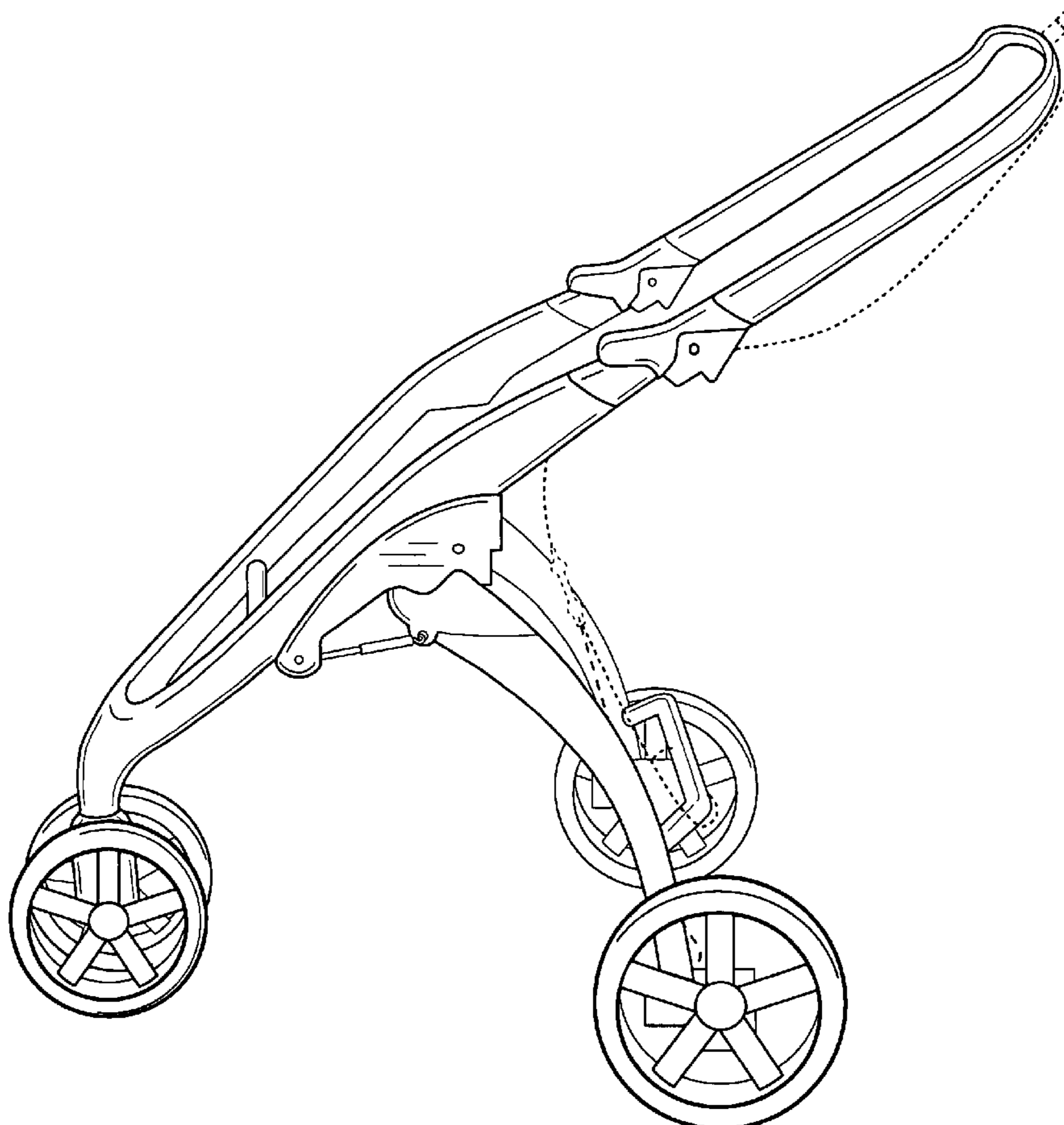


FIG. 1

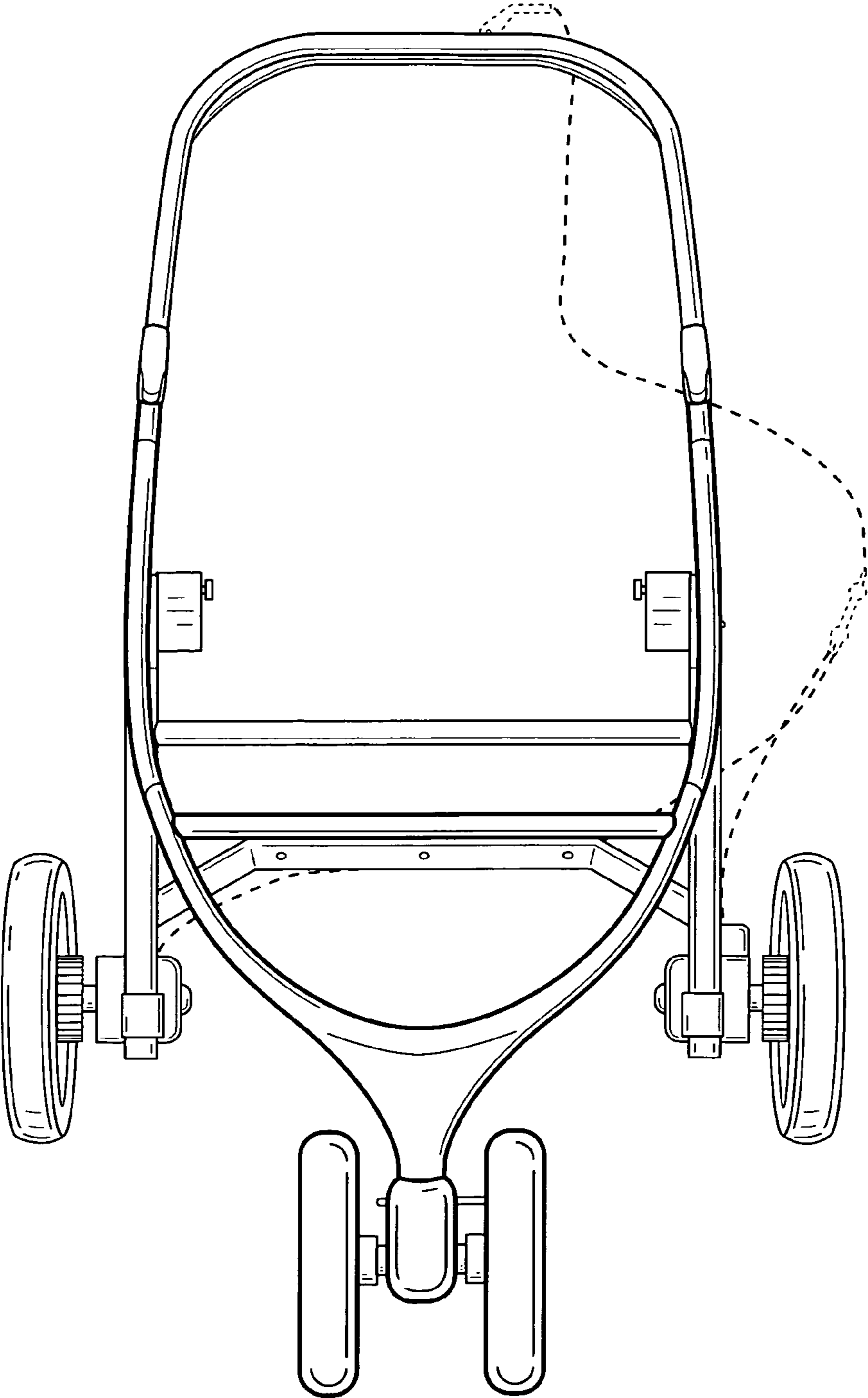
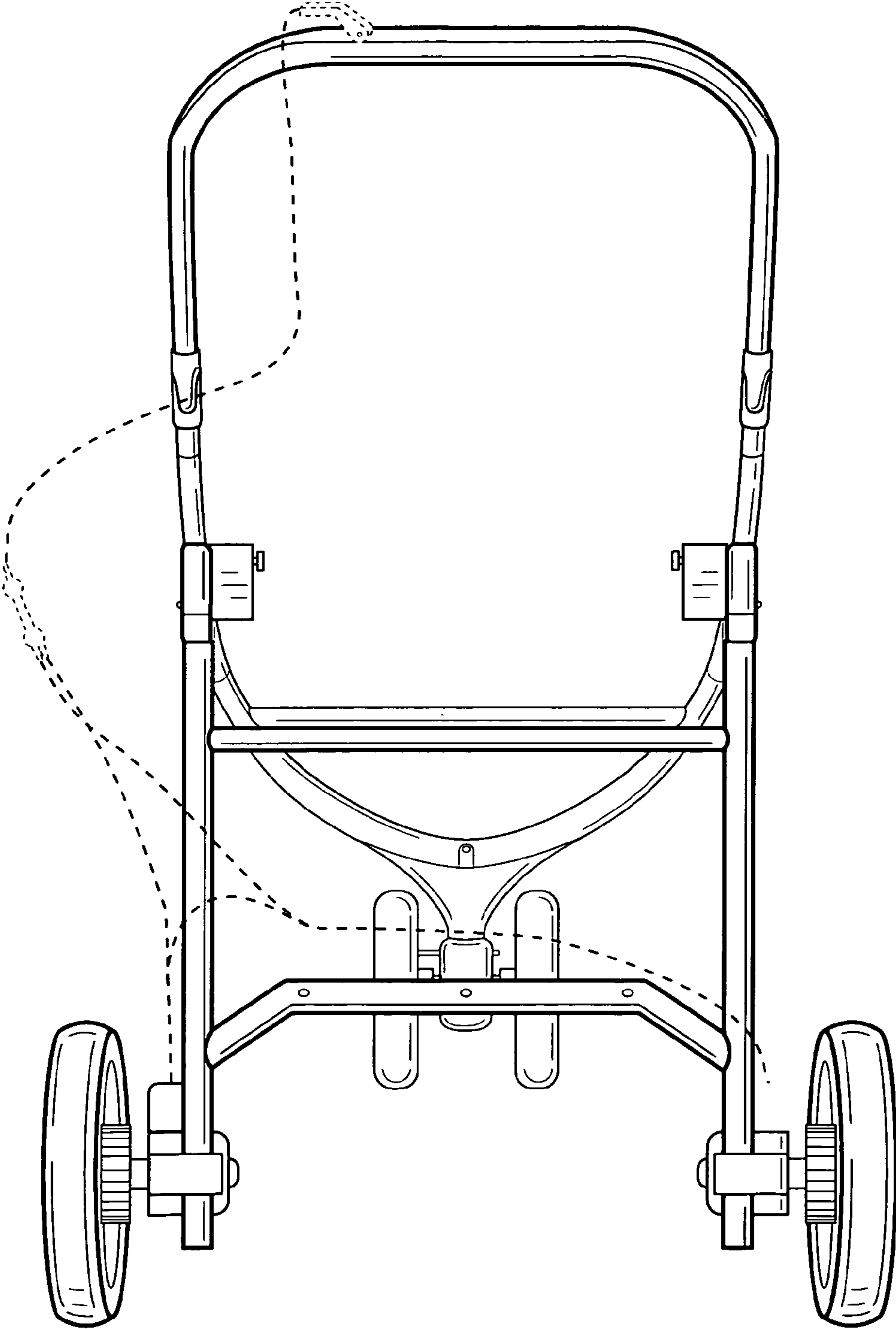


FIG. 2



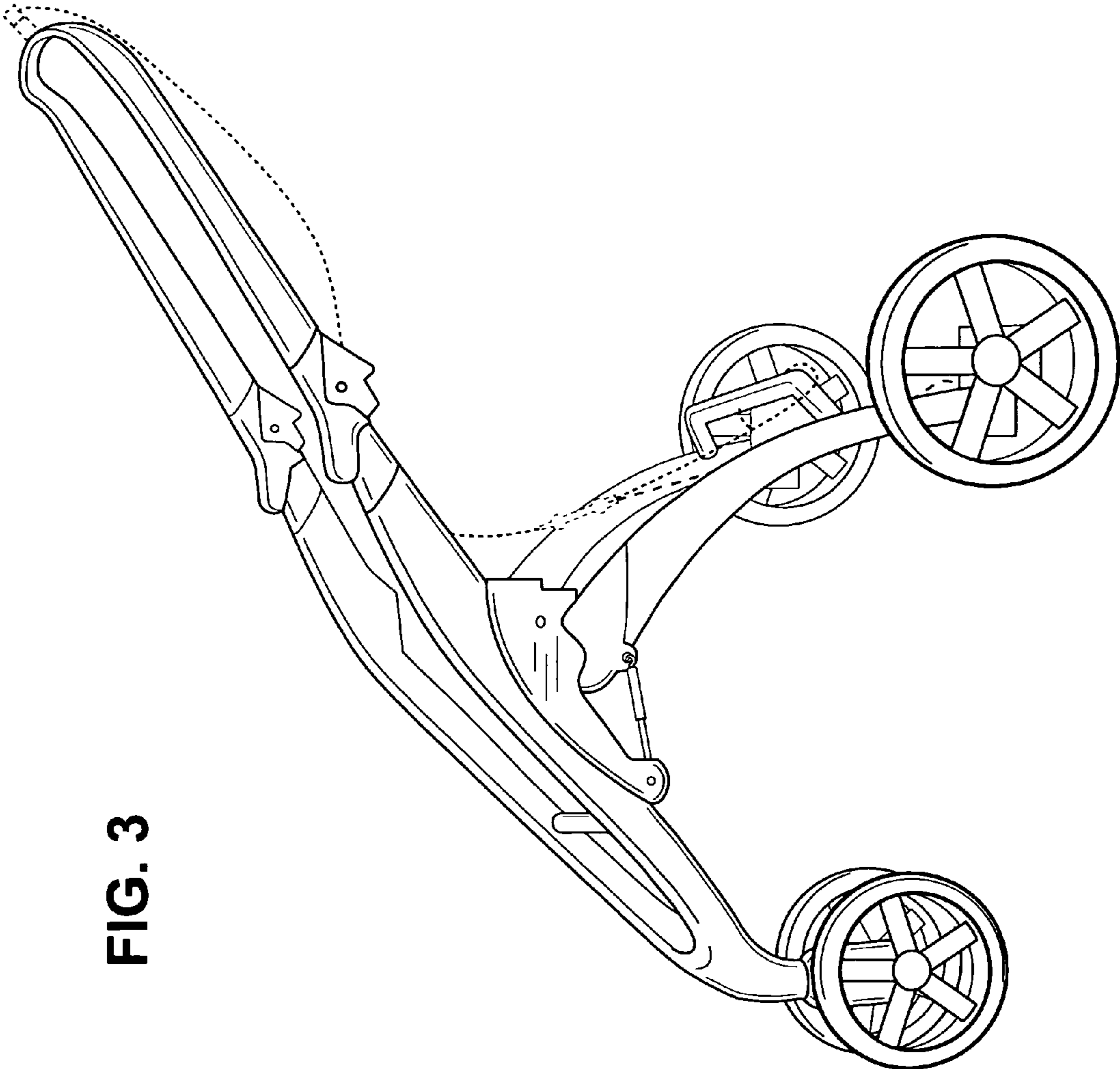


FIG. 3

FIG. 4

