

US00D661618S

(12) **United States Design Patent**
Lee

(10) **Patent No.:** **US D661,618 S**
(45) **Date of Patent:** **** Jun. 12, 2012**

(54) **LAWN ORNAMENT**

(76) **Inventor:** **Justin Lee**, Houston, TX (US)

(**) **Term:** **14 Years**

(21) **Appl. No.:** **29/403,369**

(22) **Filed:** **Oct. 5, 2011**

(51) **LOC (9) Cl.** **11-02**

(52) **U.S. Cl.** **D11/158**

(58) **Field of Classification Search** D11/131,
D11/157, 158, 117; 428/7-9, 15, 16, 542.2,
428/542.6

See application file for complete search history.

(56) **References Cited**

U.S. PATENT DOCUMENTS

D345,530	S	*	3/1994	Hagey	D11/158
D356,620	S	*	3/1995	Weber et al.	D22/125
D370,972	S	*	6/1996	Dutton	D22/125
5,546,692	A	*	8/1996	Byers	43/2
5,632,110	A	*	5/1997	Roy	43/2
D388,359	S	*	12/1997	Shaw	D11/125
D392,917	S	*	3/1998	Cliff	D11/162
5,791,081	A	*	8/1998	Turner et al.	43/2
5,814,380	A	*	9/1998	Tamborello et al.	428/9
5,943,807	A	*	8/1999	McPherson	43/2
D415,715	S	*	10/1999	Cliff	D11/162

D432,458	S	*	10/2000	Cliff	D11/162
D437,568	S	*	2/2001	De Clerico et al.	D11/158
D438,817	S	*	3/2001	Reaver	D11/157
7,086,193	B1	*	8/2006	Hurst	43/2
D572,335	S	*	7/2008	McKinnon	D22/125
D594,926	S	*	6/2009	Giedd	D22/125
D634,809	S	*	3/2011	Gentle	D22/125
2009/0084017	A1	*	4/2009	Hershberger	43/2

* cited by examiner

Primary Examiner — T. Chase Nelson

Assistant Examiner — Michelle E Wilson

(74) *Attorney, Agent, or Firm* — Egbert Law Offices PLLC

(57) **CLAIM**

The ornamental design for a lawn ornament, as shown and described.

DESCRIPTION

FIG. 1 is a front perspective view of the lawn ornament showing my design.

FIG. 2 is a front view thereof;

FIG. 3 is a rear view thereof;

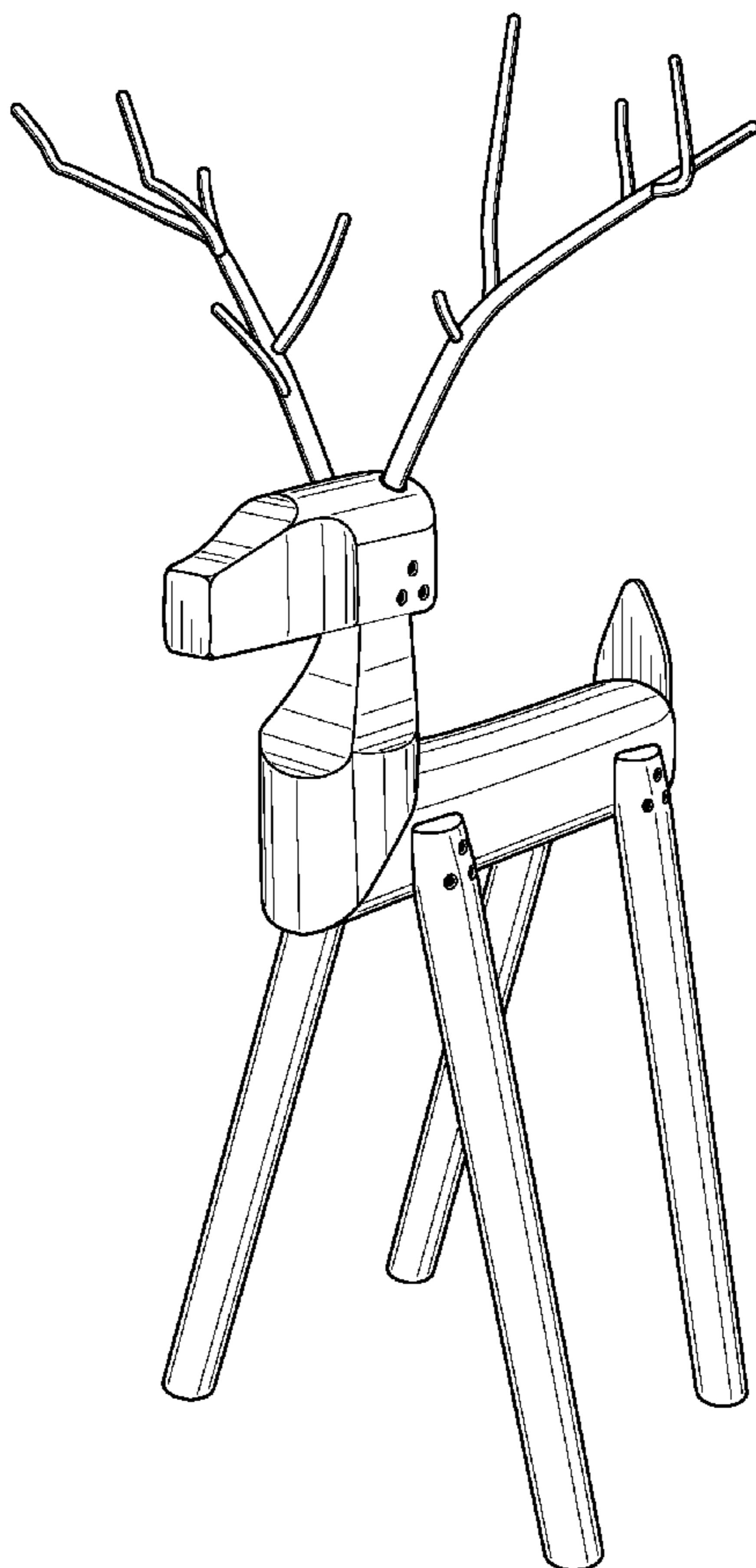
FIG. 4 is a side view thereof;

FIG. 5 is an opposite side view thereof;

FIG. 6 is a top view thereof; and,

FIG. 7 is a bottom view thereof.

1 Claim, 4 Drawing Sheets



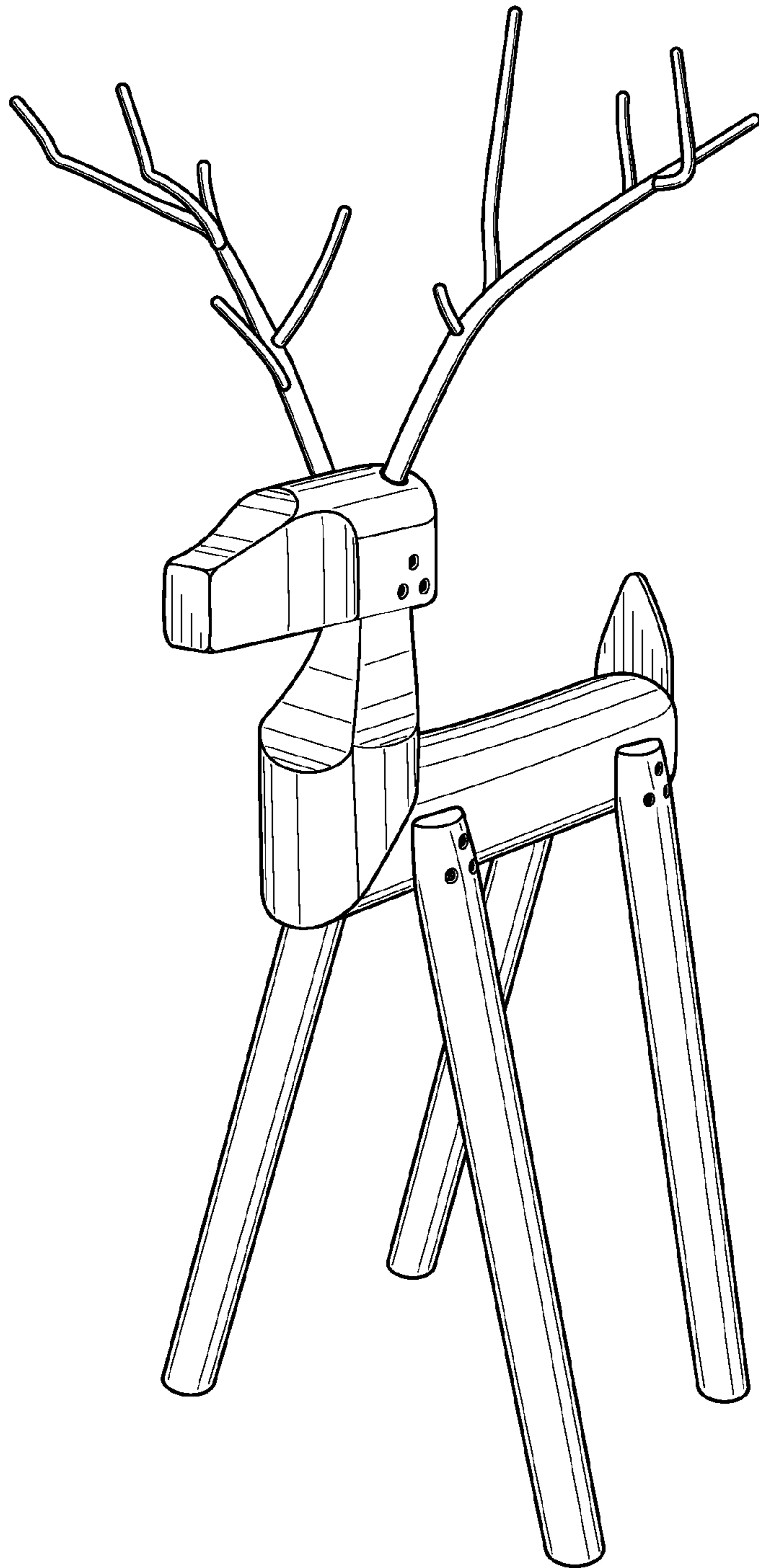


FIG. 1

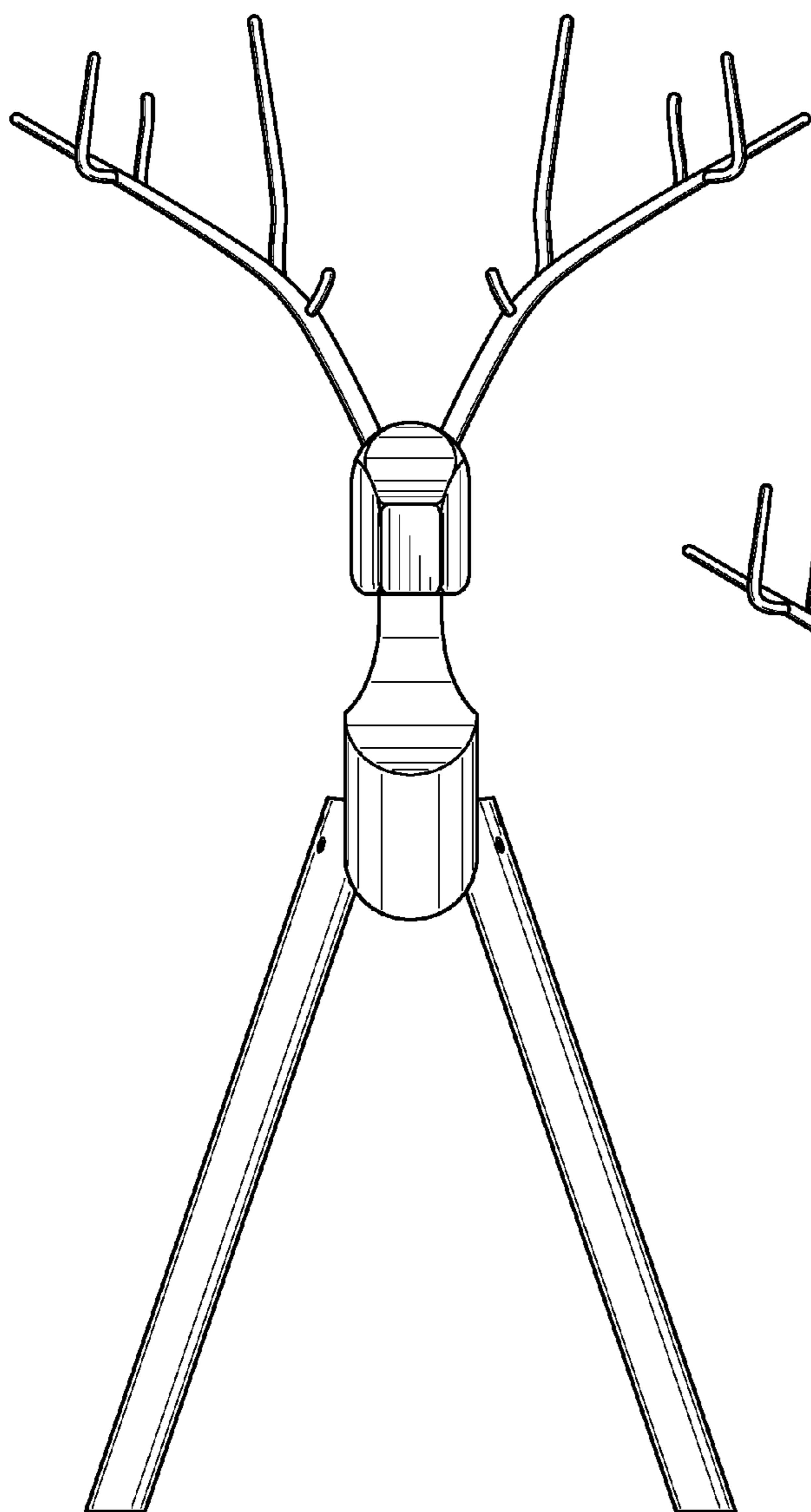


FIG. 2

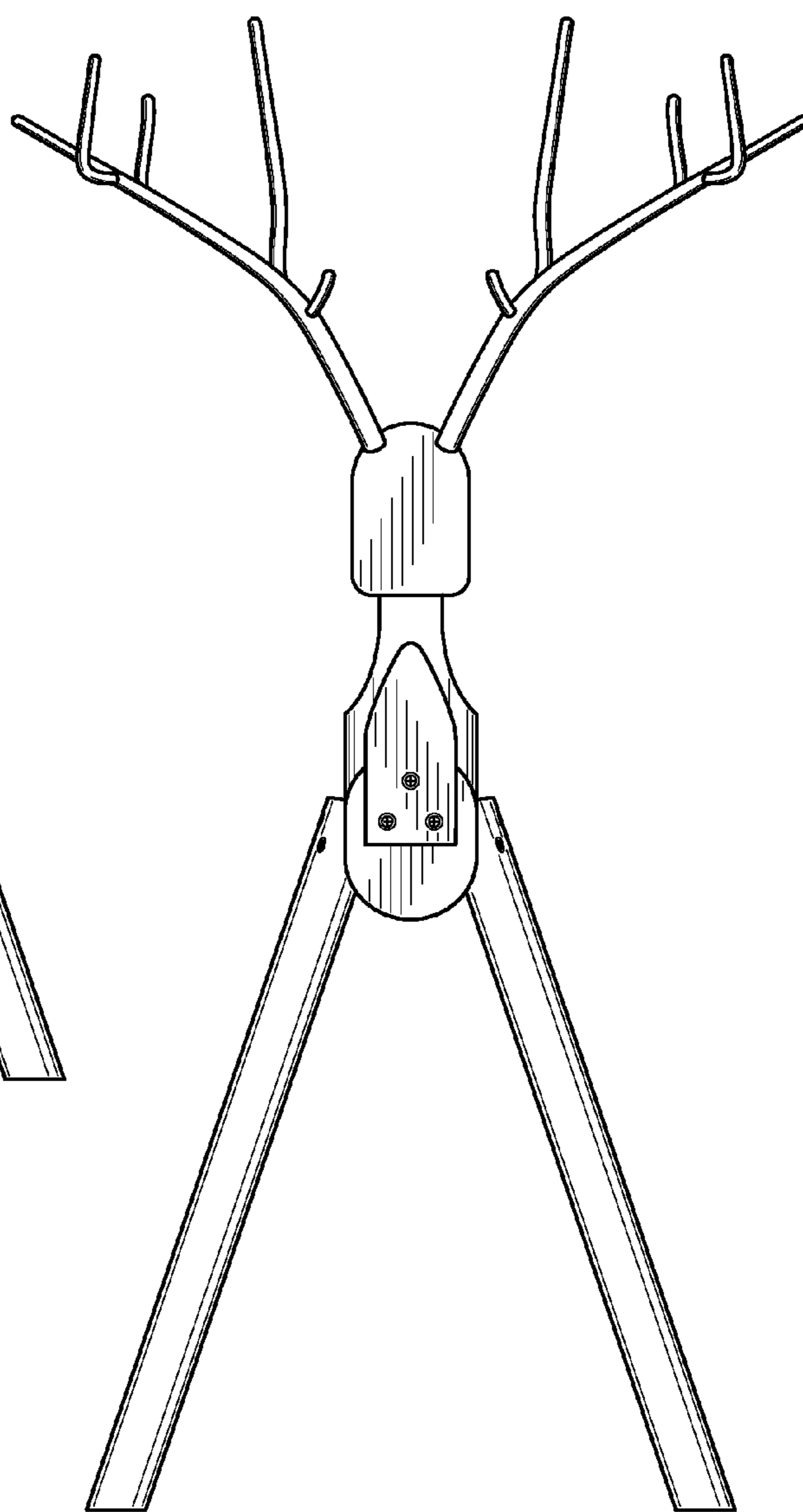


FIG. 3

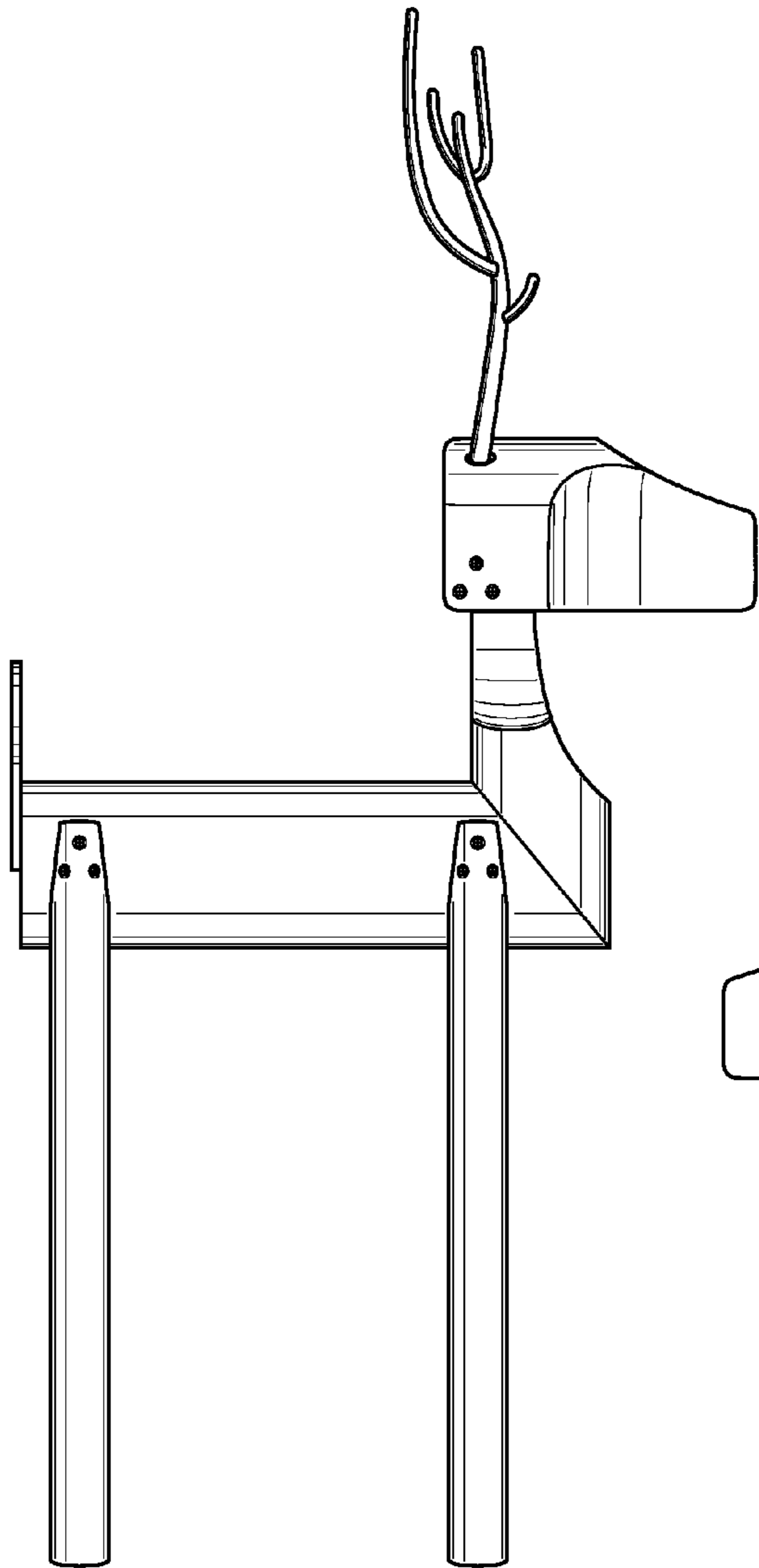


FIG. 4

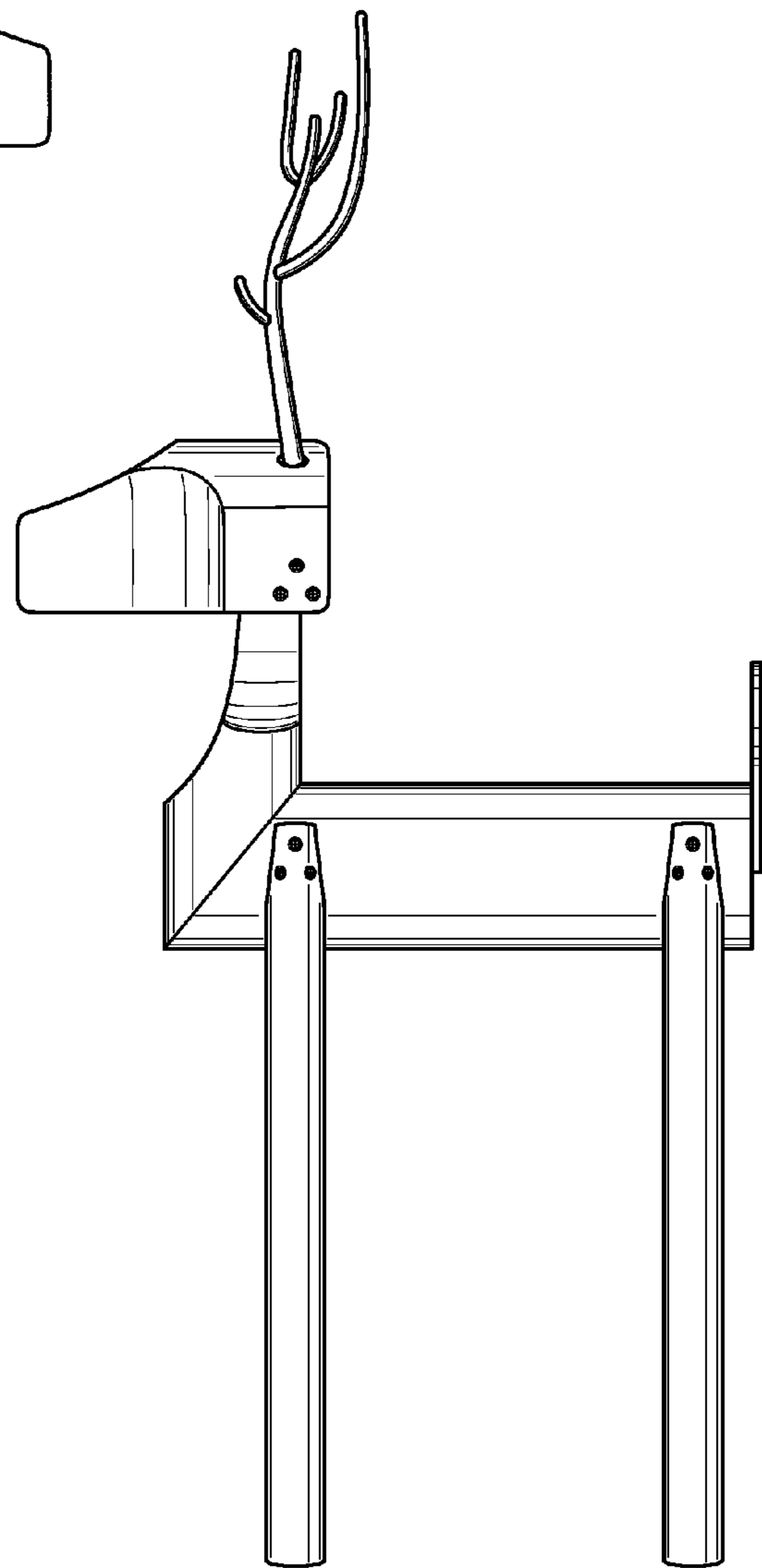


FIG. 5

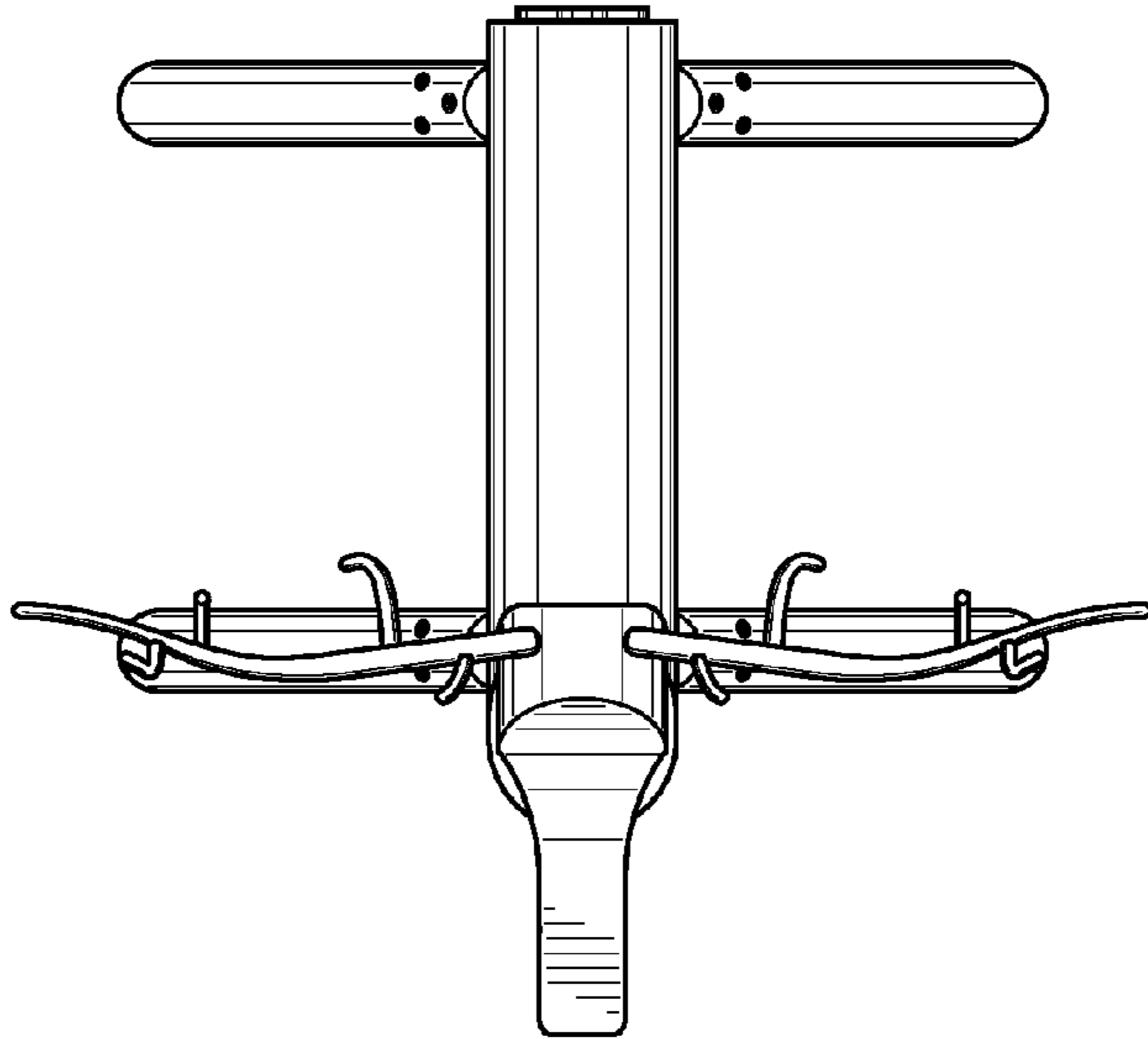


FIG. 6

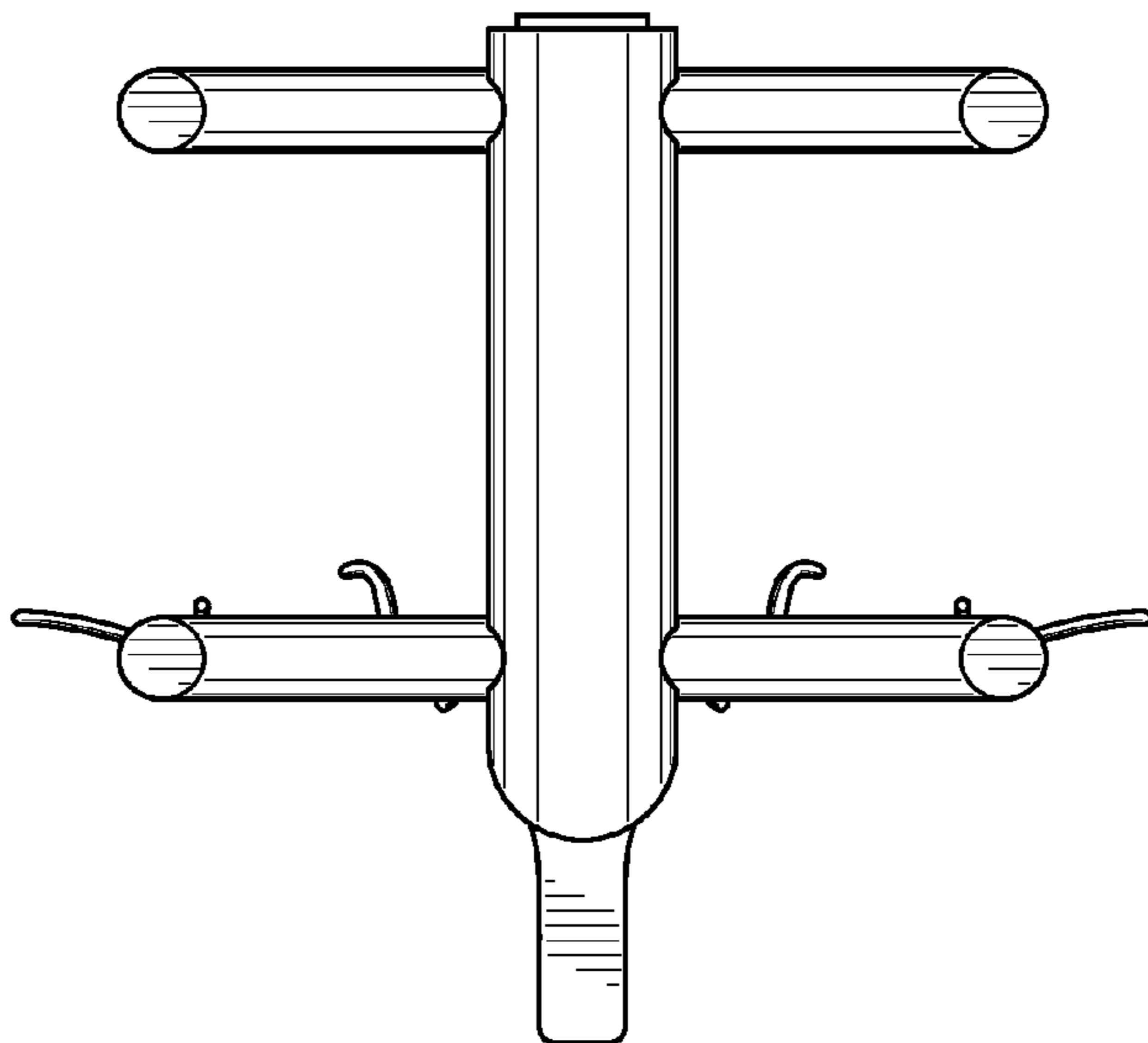


FIG. 7