

US00D661610S

(12) **United States Design Patent**
Clark et al.

(10) **Patent No.:** **US D661,610 S**
(45) **Date of Patent:** **** Jun. 12, 2012**

(54) **EMERGENCY ALERT LIGHT**

(76) Inventors: **Don C. Clark**, Wildwood, FL (US);
Alda C. Clark, Wildwood, FL (US)

(**) Term: **14 Years**

(21) Appl. No.: **29/404,521**

(22) Filed: **Oct. 21, 2011**

Related U.S. Application Data

(63) Continuation-in-part of application No. 13/227,861,
filed on Sep. 8, 2011.

(51) **LOC (9) Cl.** **10-05**

(52) **U.S. Cl.** **D10/114.2**

(58) **Field of Classification Search** ... D10/114.1-114.4,
D10/109.1, 118, 106.1, 106.2, 104.1; D13/158;
52/204.5; 340/693.9, 693.11
See application file for complete search history.

(56) **References Cited**

U.S. PATENT DOCUMENTS

D265,802	S	*	8/1982	Vickery	D10/118
4,611,265	A		9/1986	Davis		
4,855,723	A		8/1989	Fritz et al.		
D305,881	S	*	2/1990	Bergeron	D13/158
4,901,461	A		2/1990	Edwards et al.		
D315,112	S	*	3/1991	Andrews et al.	D10/104.1

D315,694	S	*	3/1991	Thorp et al.	D10/114.2
5,270,698	A		12/1993	Hoyle et al.		
D374,635	S	*	10/1996	Hur et al.	D10/109.2
5,969,627	A	*	10/1999	Tarlton et al.	340/693.12
6,271,763	B1	*	8/2001	Hur	340/693.12
D471,833	S		3/2003	Jacobson et al.		
6,838,997	B1	*	1/2005	Davidson	340/693.9
7,012,544	B2		3/2006	Cunningham et al.		
2009/0139162	A1	*	6/2009	Mancini	52/204.5

* cited by examiner

Primary Examiner — George D Kirschbaum

(57) **CLAIM**

The ornamental design for an emergency alert light, as shown and described.

DESCRIPTION

FIG. 1 is a perspective view of an emergency alert light showing our new design, wherein the transparent covering raised above the grid is demarcated by the special surface marking.

FIG. 2 is a front view thereof;

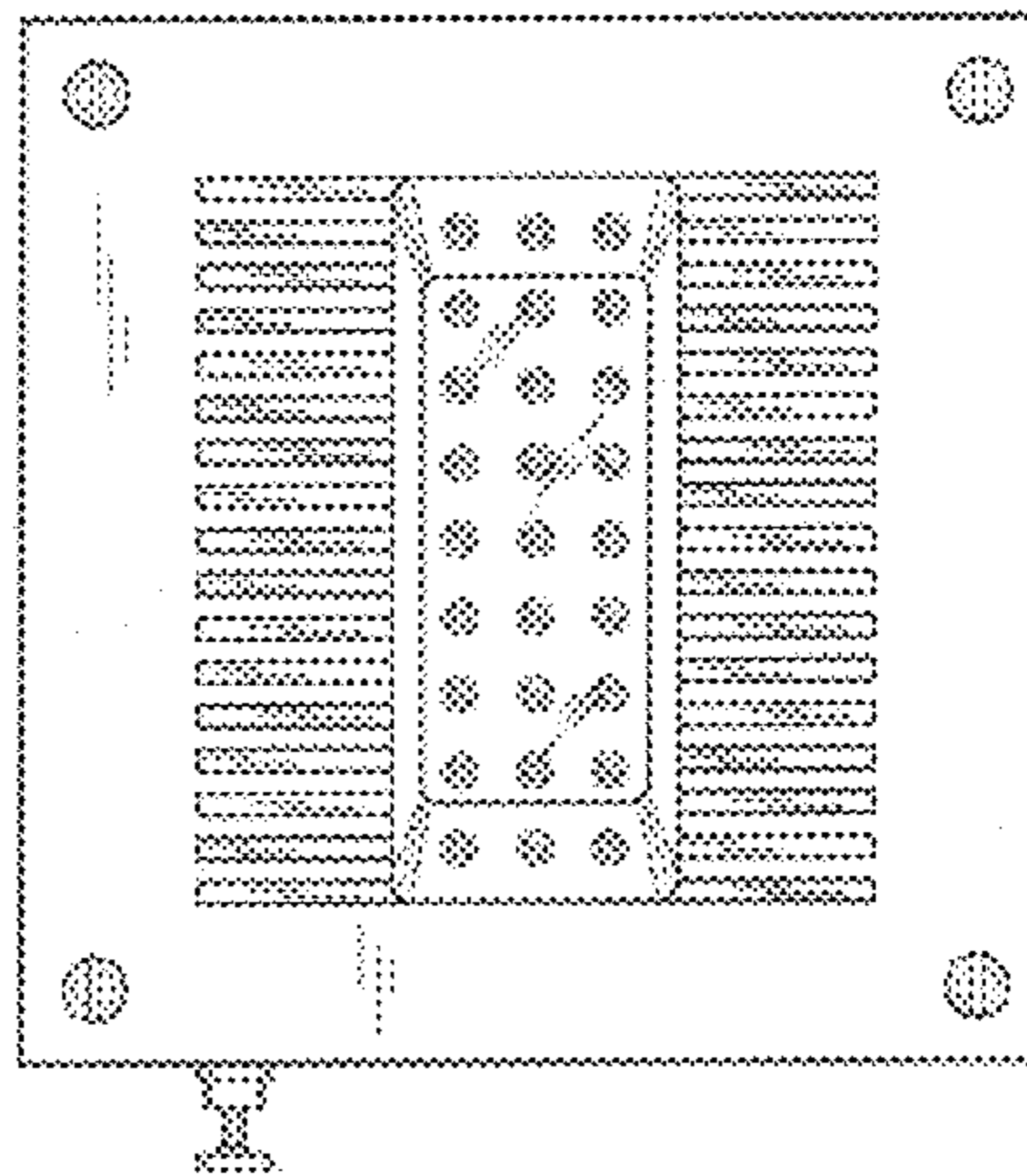
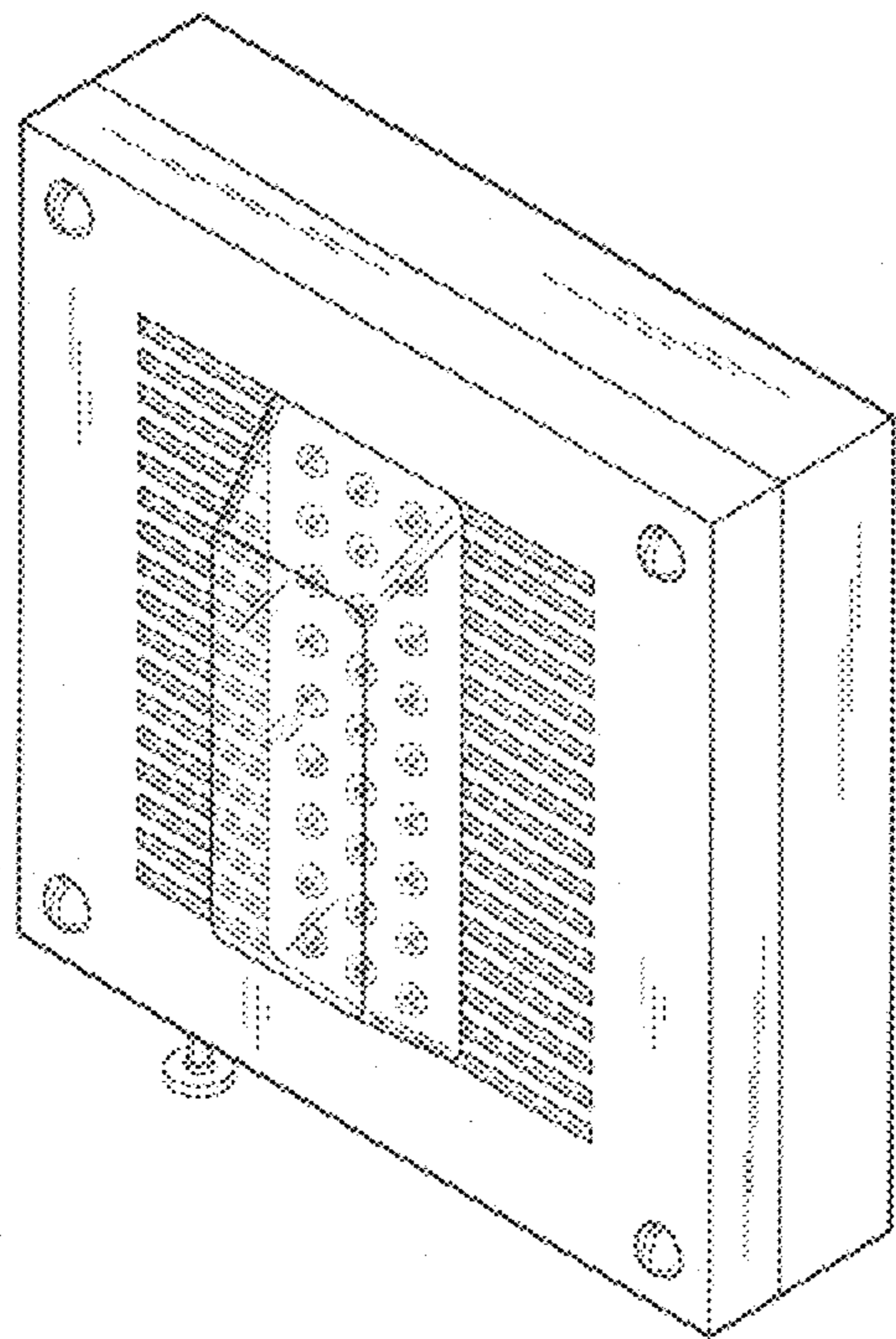
FIG. 3 is a back view thereof;

FIG. 4 is a side view (opposite side view is mirror image) thereof;

FIG. 5 is a top view thereof; and,

FIG. 6 is a bottom view thereof.

1 Claim, 3 Drawing Sheets



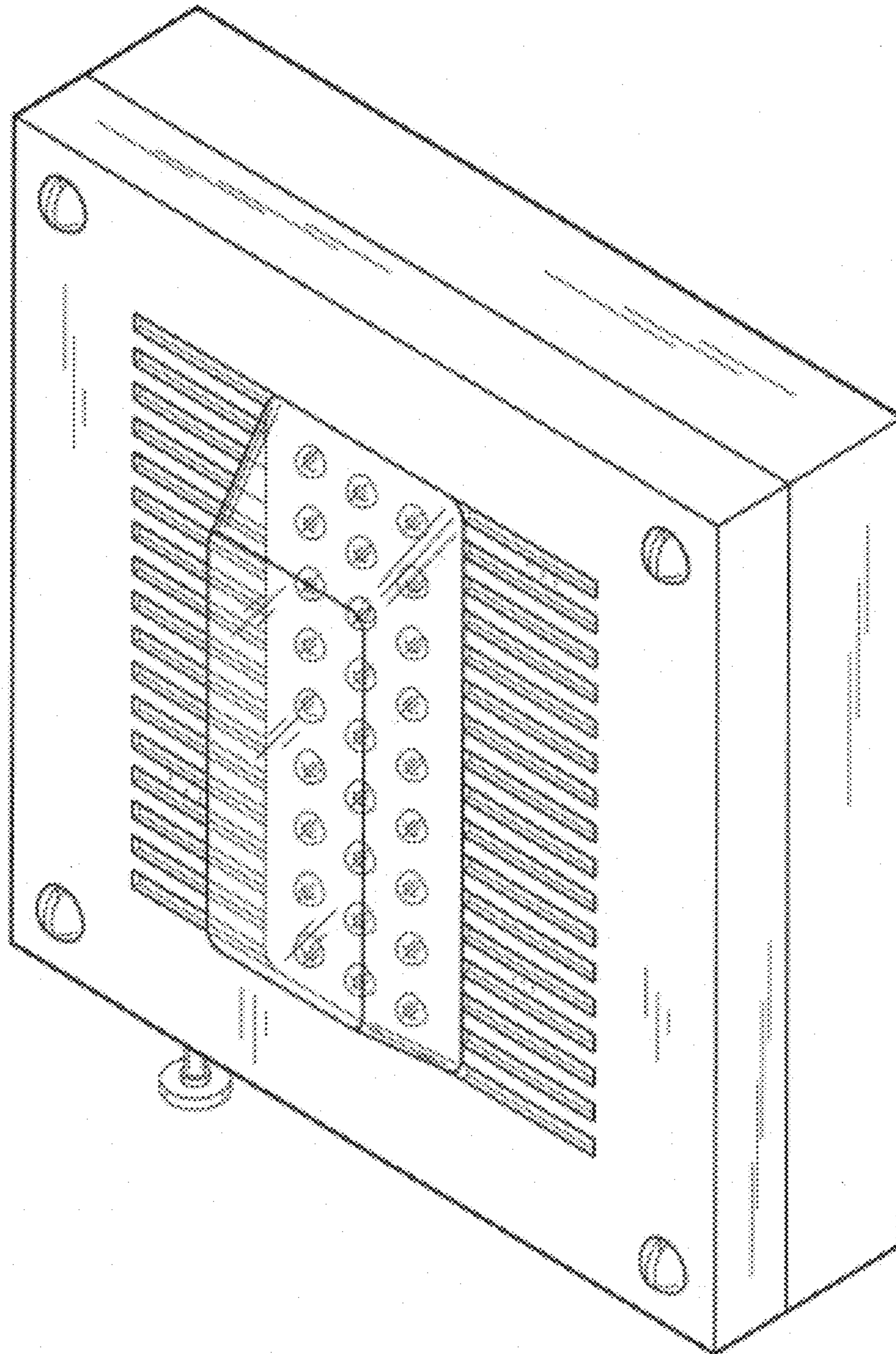


FIG. 1

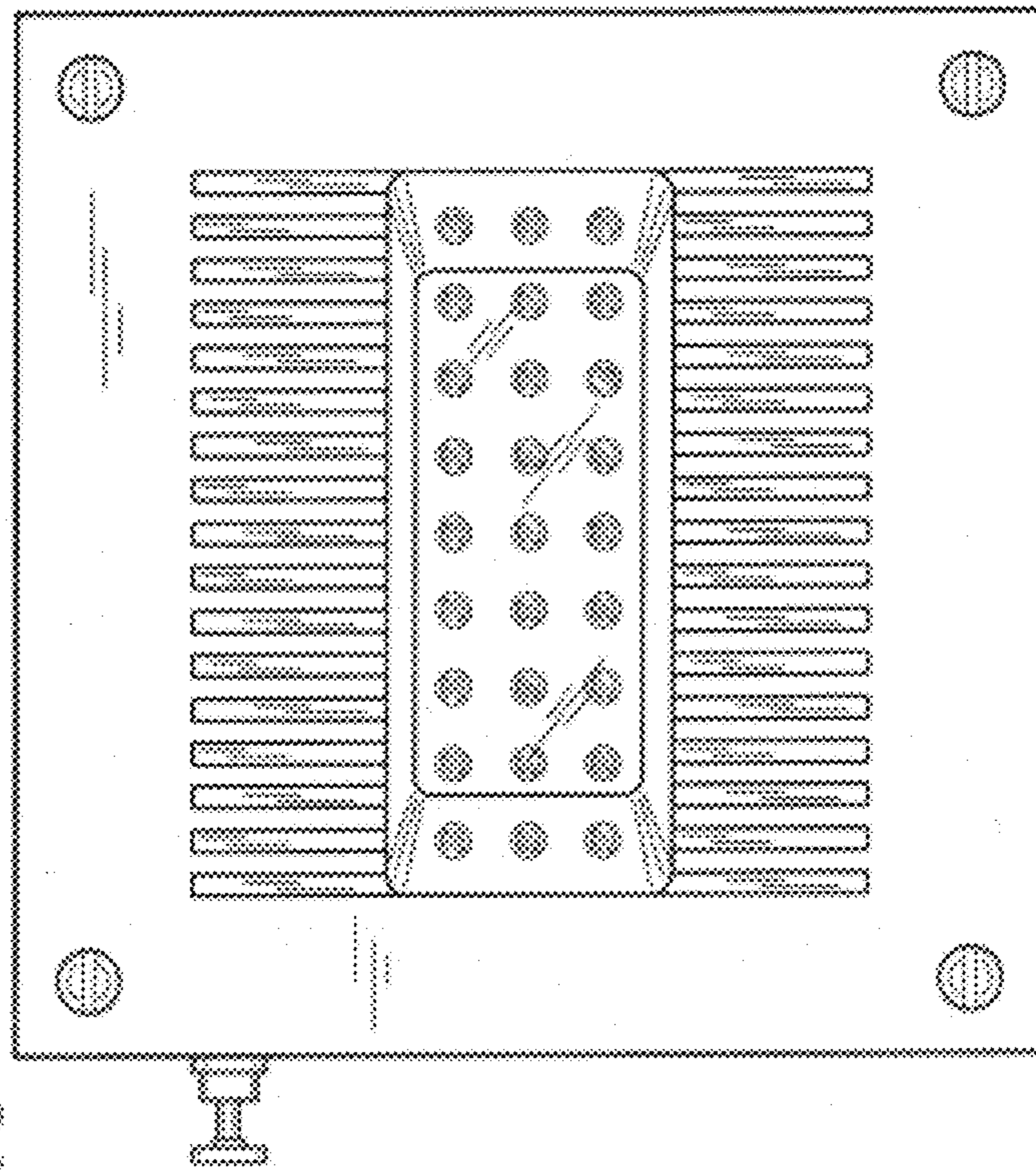


FIG. 2

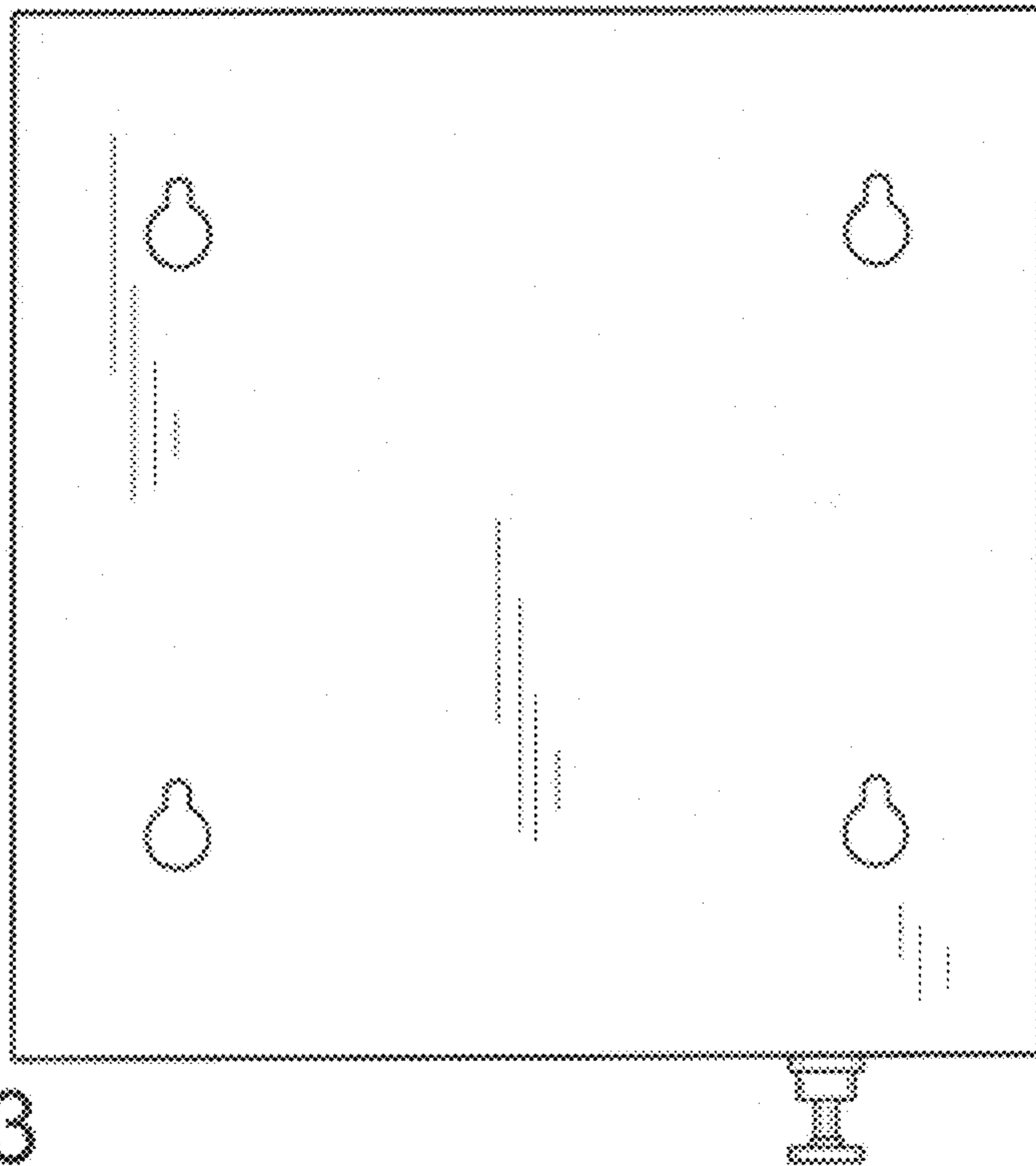


FIG. 3

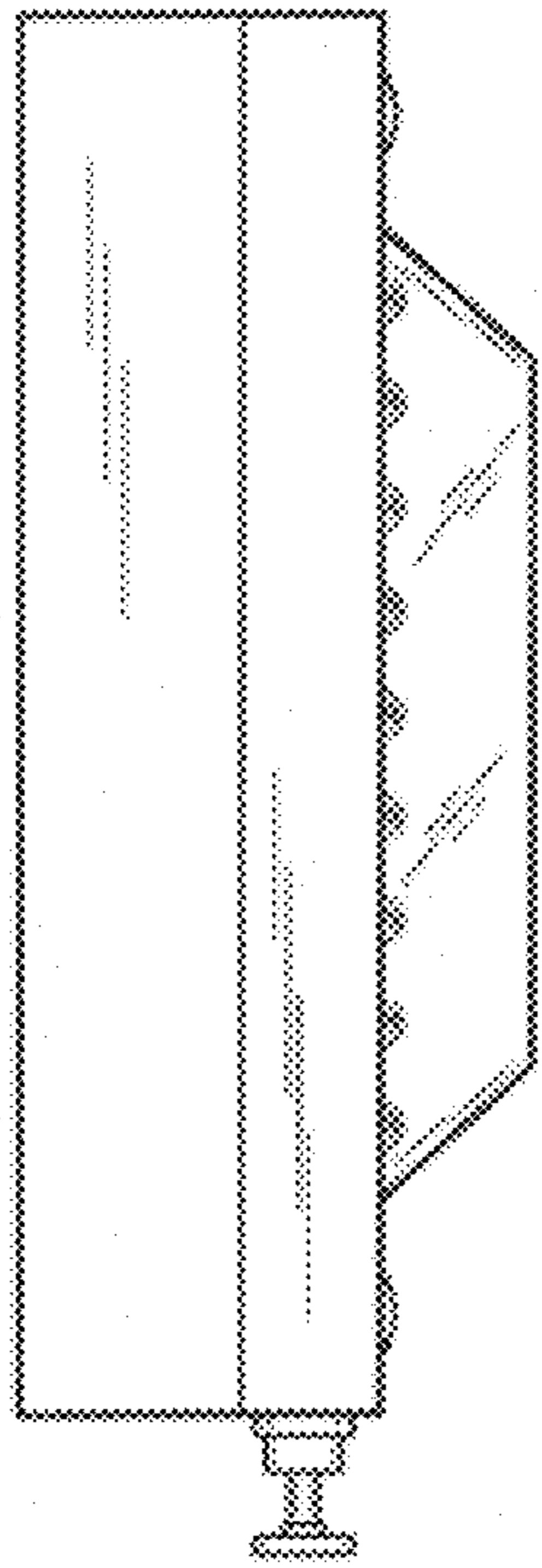


FIG. 4

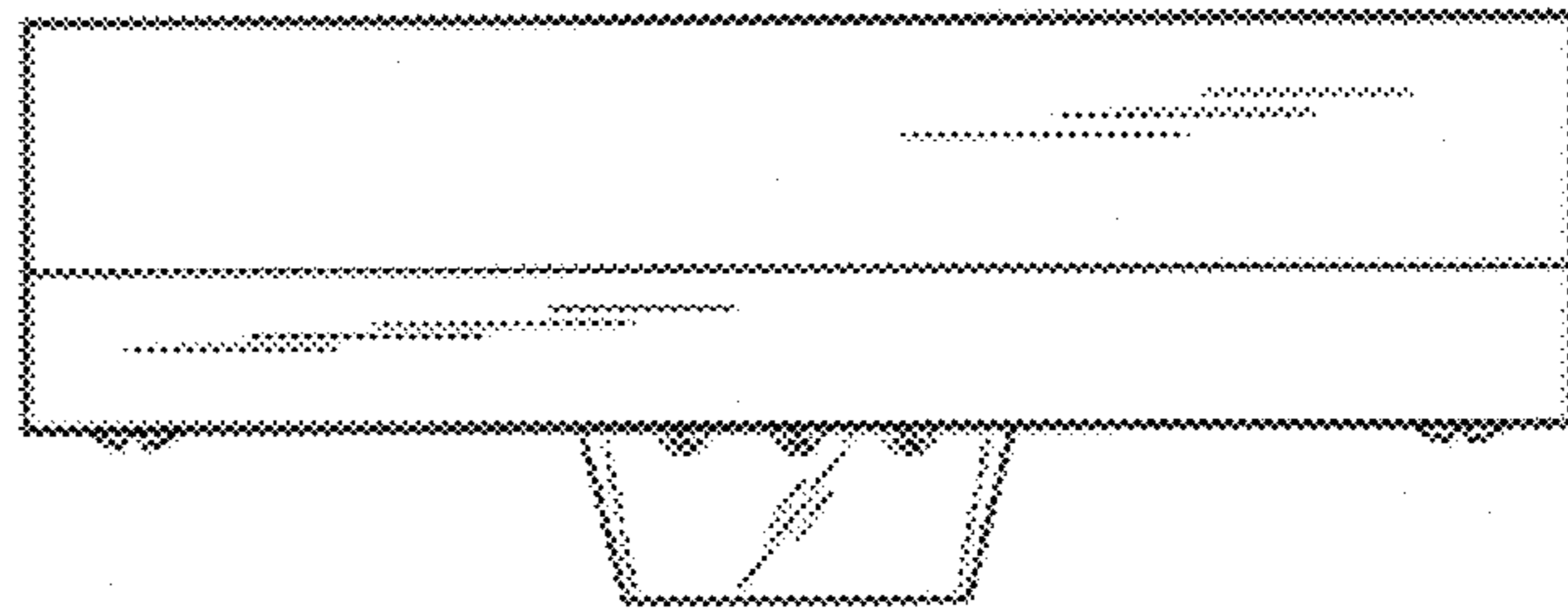


FIG. 5

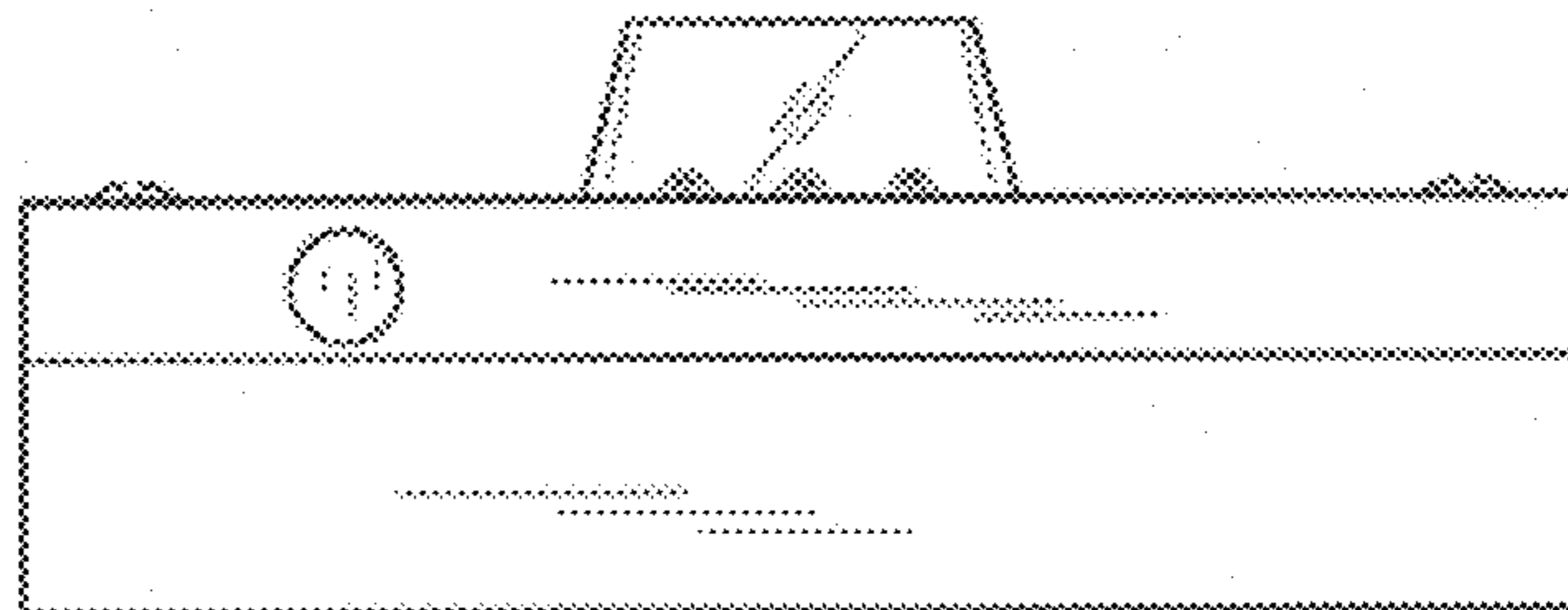


FIG. 6