

US00D661609S

(12) **United States Design Patent**  
**Groves et al.**

(10) **Patent No.:** **US D661,609 S**  
(45) **Date of Patent:** **\*\* Jun. 12, 2012**

(54) **CAUTION POLE**  
(75) Inventors: **Bradley Groves**, Rockford, IL (US);  
**Richard Parker**, Prospect, KY (US)  
(73) Assignee: **Fiberglass Innovations, LLC**,  
Rockford, IL (US)

5,090,348 A 2/1992 Hugron  
5,207,175 A 5/1993 Andonian  
5,291,703 A 3/1994 Ziegler  
5,507,589 A 4/1996 Jacobs  
5,624,210 A 4/1997 Baldwin et al.  
6,514,006 B1 2/2003 Hines  
7,644,953 B2 1/2010 Groves  
2009/0165699 A1 7/2009 Groves  
2011/0220010 A1\* 9/2011 Klein et al. .... 116/63 C

(\*\*) Term: **14 Years**

**OTHER PUBLICATIONS**

(21) Appl. No.: **29/363,490**

U.S. Appl. No. 12/774,796, Groves et al.

(22) Filed: **Jun. 10, 2010**

\* cited by examiner

(51) **LOC (9) Cl.** ..... **10-05**

*Primary Examiner* — George D Kirschbaum

(52) **U.S. Cl.** ..... **D10/109.1**

(74) *Attorney, Agent, or Firm* — Stoll Keenon Ogden PLLC;  
Stephen C. Hall

(58) **Field of Classification Search** ..... D10/109.1,  
D10/109.2, 113.2; D19/45, 51; 116/63 C  
See application file for complete search history.

(57) **CLAIM**

The ornamental design for a caution pole, as shown and described.

(56) **References Cited**

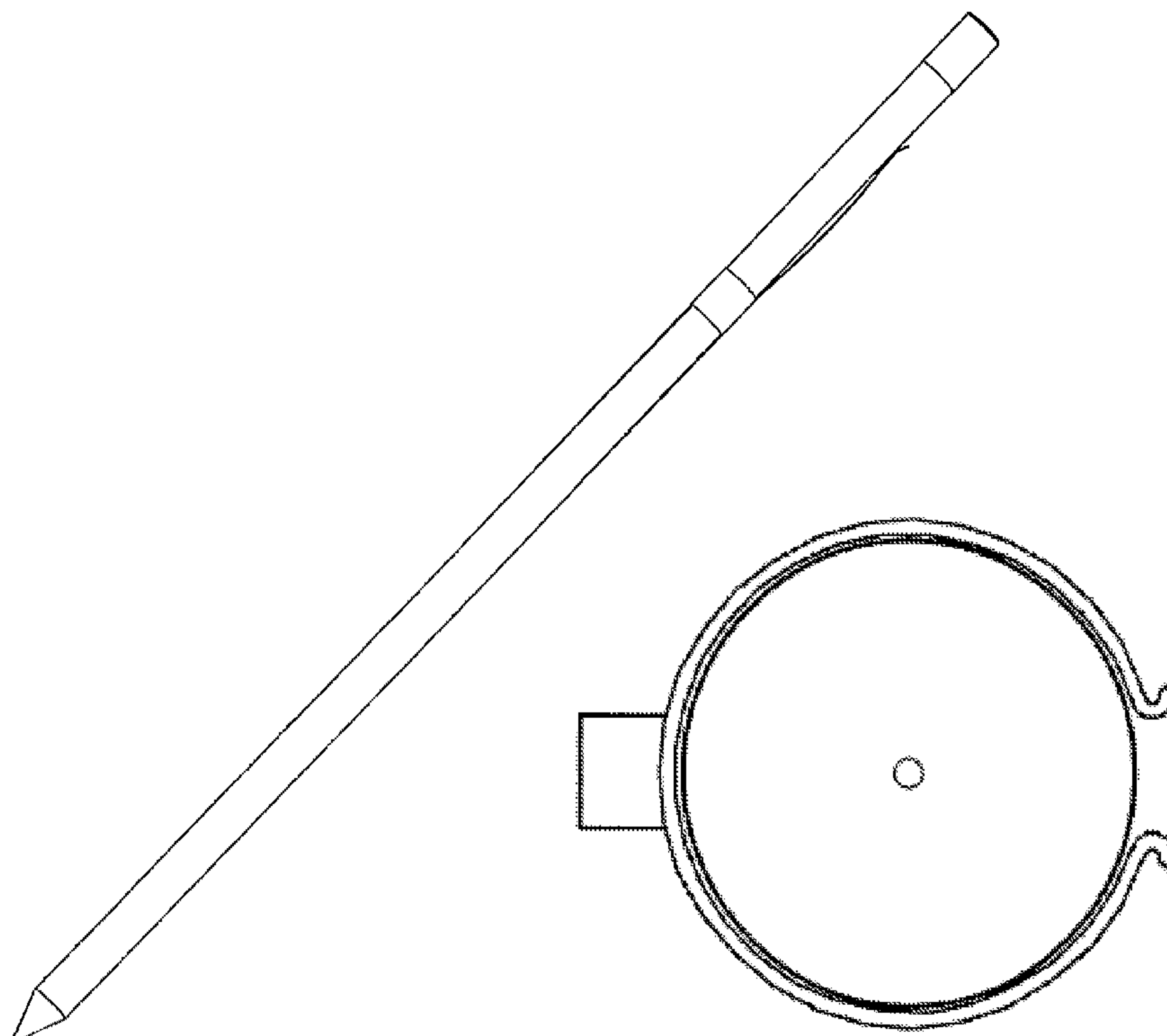
**DESCRIPTION**

**U.S. PATENT DOCUMENTS**

1,950,298 A	3/1934	Frost	
2,779,240 A	1/1957	Gaydos	
3,279,133 A	10/1966	De Korte	
3,378,967 A	4/1968	Baumeister	
3,507,081 A	4/1970	Gallup	
3,916,821 A	11/1975	Pies	
4,270,873 A	6/1981	Laehy et al.	
4,343,567 A	8/1982	Sarver et al.	
4,486,117 A	12/1984	Blau	
D278,157 S *	3/1985	Maki et al. ....	D19/51
4,502,258 A	3/1985	Rushing	
4,977,851 A	12/1990	Anderson	
5,029,783 A	7/1991	Alvarez	

FIG. 1 is a side elevation view of a caution pole of the present invention;  
FIG. 2 is a side elevation view showing the an enlarged view of the clip thereof;  
FIG. 3 is a bottom plan view of the complete design;  
FIG. 4 is a side elevation view thereof; and,  
FIG. 5 is a second side elevation view thereof.  
The broken line showing of caution tape in FIG. 5 is for the purpose of illustrating environmental structure and forms no part of the claimed design.

**1 Claim, 5 Drawing Sheets**



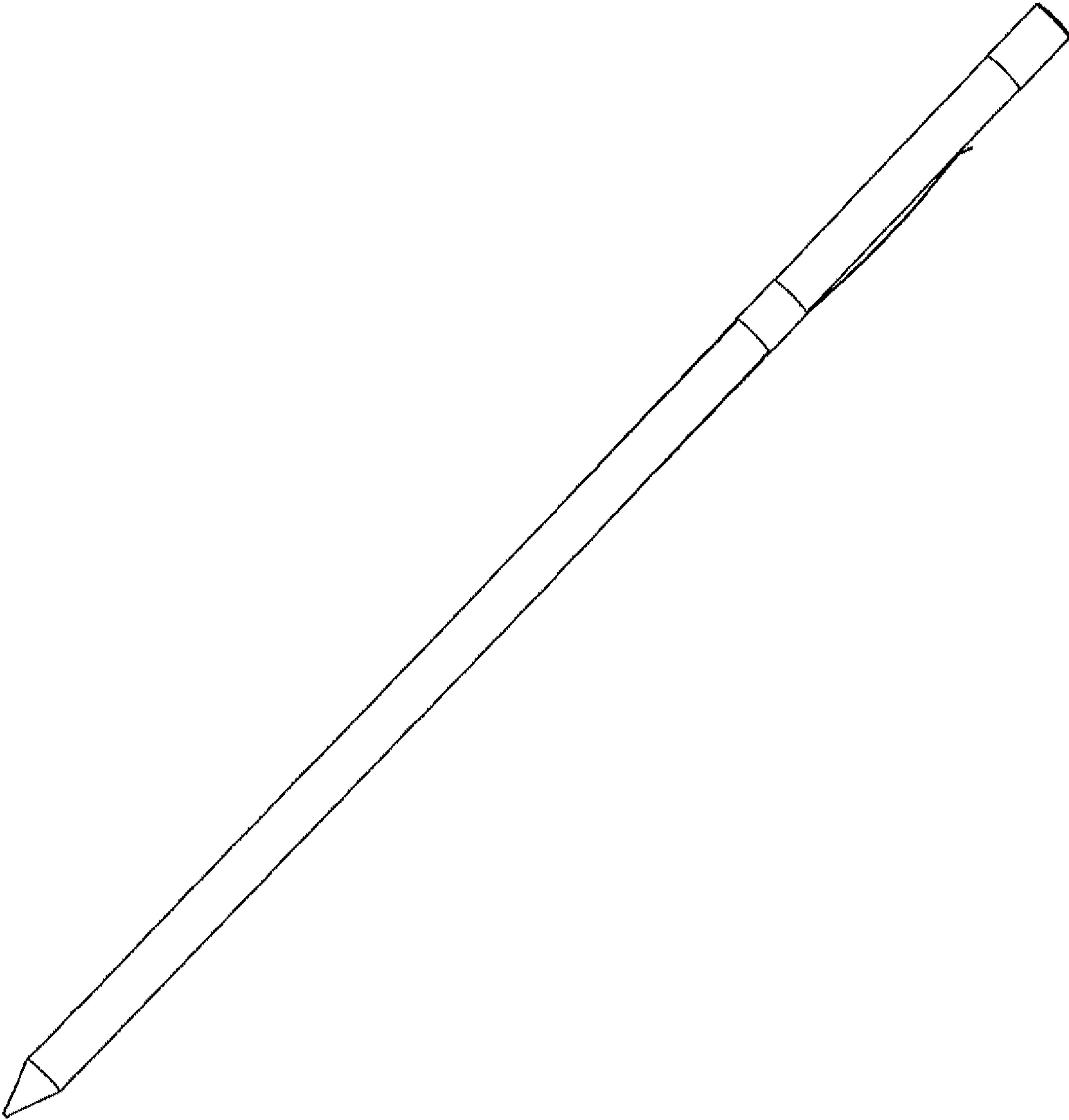


Fig. 1



FIG. 2

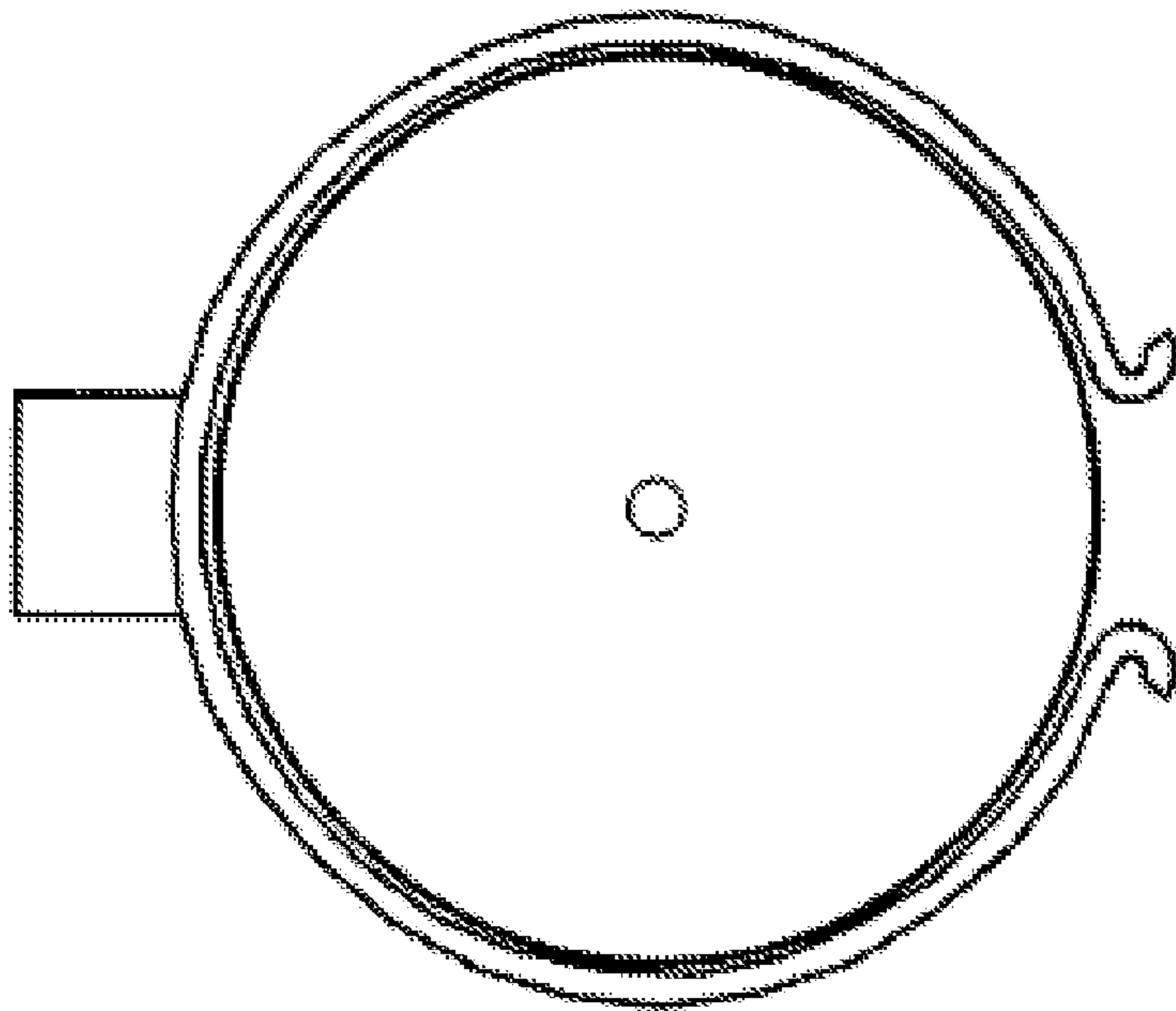


FIG. 3

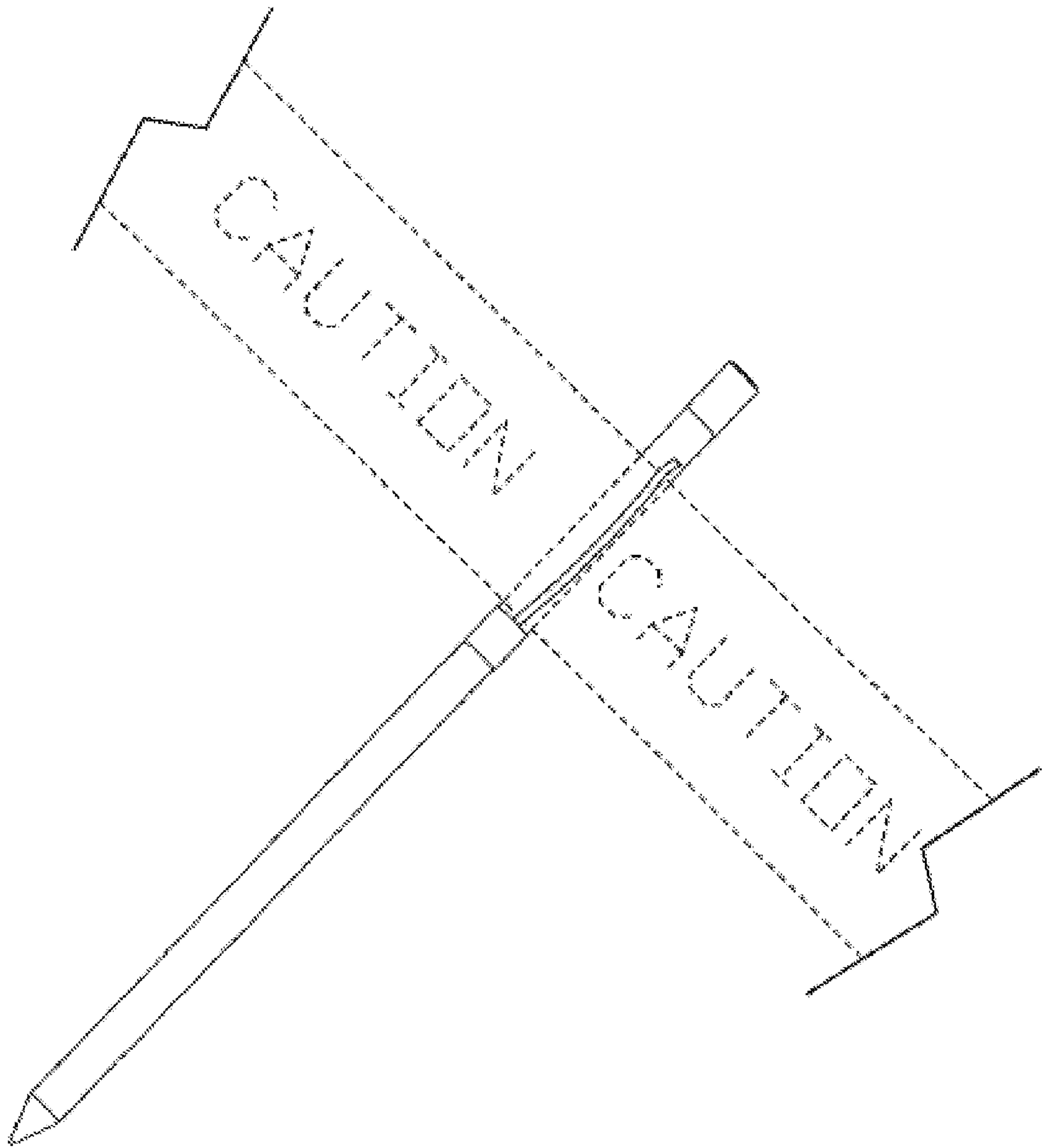


FIG. 4

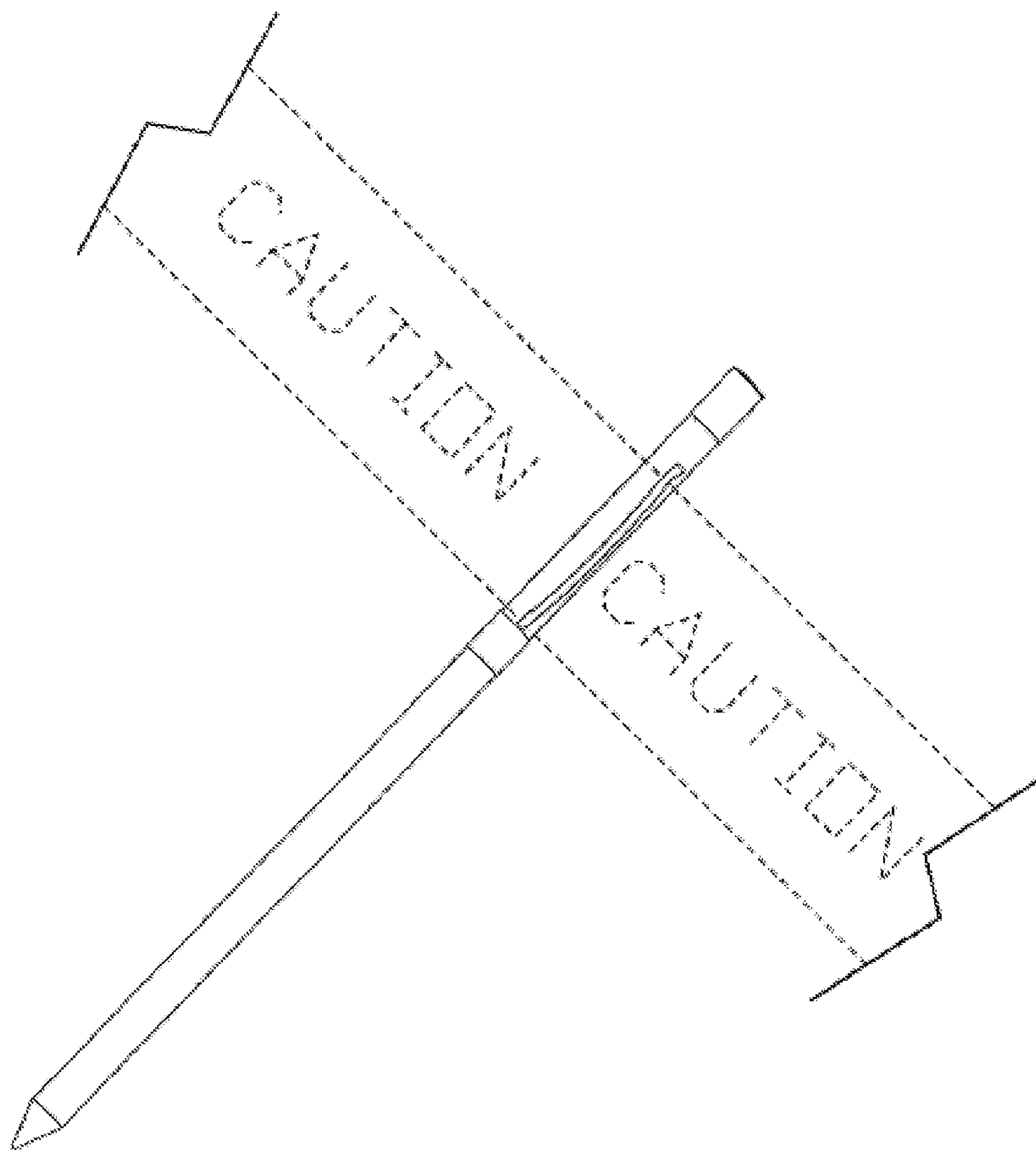


FIG. 5