



US00D661608S

(12) **United States Design Patent**
Kimmich

(10) **Patent No.:** **US D661,608 S**
(45) **Date of Patent:** **** Jun. 12, 2012**

(54) **HUMAN MACHINE INTERFACE**
(75) Inventor: **Peter Kimmich**, Schoenaich (DE)
(73) Assignee: **Robert Bosch GmbH**, Stuttgart (DE)
(**) Term: **14 Years**
(21) Appl. No.: **29/378,500**
(22) Filed: **Nov. 5, 2010**

D357,879 S * 5/1995 Ueda D10/98
D361,729 S * 8/1995 Tsushi D10/98
2002/0007676 A1* 1/2002 Ward et al. 73/493

* cited by examiner

Primary Examiner — Antoine D. Davis

(74) *Attorney, Agent, or Firm* — Maginot, Moore & Beck

(57) **CLAIM**

The ornamental design for the human machine interface, as shown and described.

DESCRIPTION

(30) **Foreign Application Priority Data**
May 25, 2010 (EM) 001711730
(51) **LOC (9) Cl.** **10-04**
(52) **U.S. Cl.** **D10/98**
(58) **Field of Classification Search** D10/46,
D10/97-98; 73/490, 493, 514.39, 527; 235/95 R;
324/160-180, 207.13, 207.22, 207.25; 340/432;
702/145-148
See application file for complete search history.

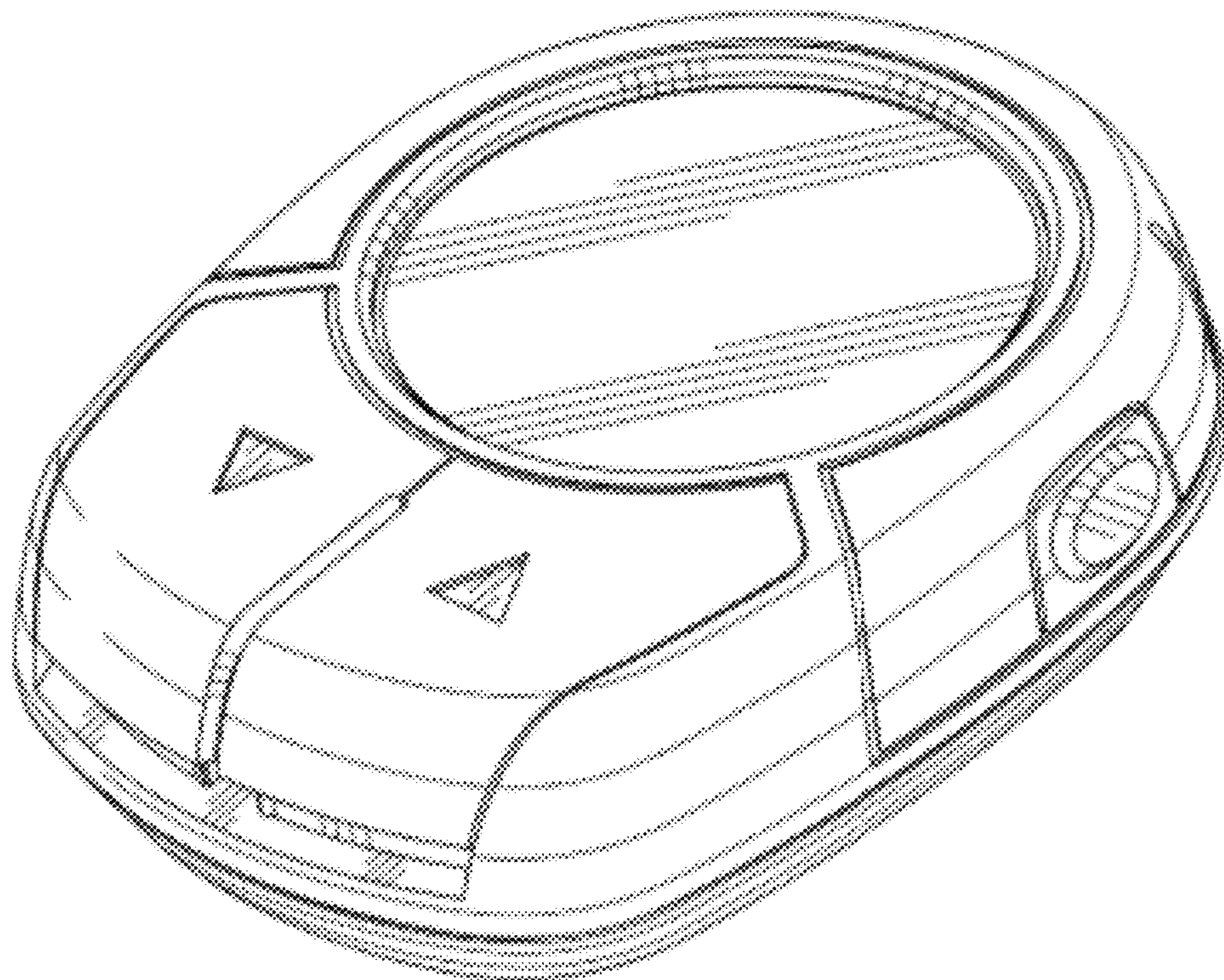
FIG. 1 is a front left perspective view of a first embodiment of the human machine interface;
FIG. 2 is a front elevational view thereof;
FIG. 3 is a right elevational view thereof;
FIG. 4 is a rear elevational view thereof;
FIG. 5 is a left elevational view thereof;
FIG. 6 is a top plan view thereof; and
FIG. 7 is a bottom plan view thereof.
FIG. 8 is a front left perspective view of a second embodiment of the human machine interface;
FIG. 9 is a front elevational view thereof;
FIG. 10 is a right elevational view thereof;
FIG. 11 is a rear elevational view thereof;
FIG. 12 is a left elevational view thereof;
FIG. 13 is a top plan view thereof; and
FIG. 14 is a bottom plan view.

(56) **References Cited**

U.S. PATENT DOCUMENTS

D334,897 S * 4/1993 Katz D10/98
D342,034 S * 12/1993 Huang D10/98
D342,211 S * 12/1993 Huang D10/98
D342,911 S * 1/1994 Ueda D10/98
D347,591 S * 6/1994 Chen D10/98

1 Claim, 14 Drawing Sheets



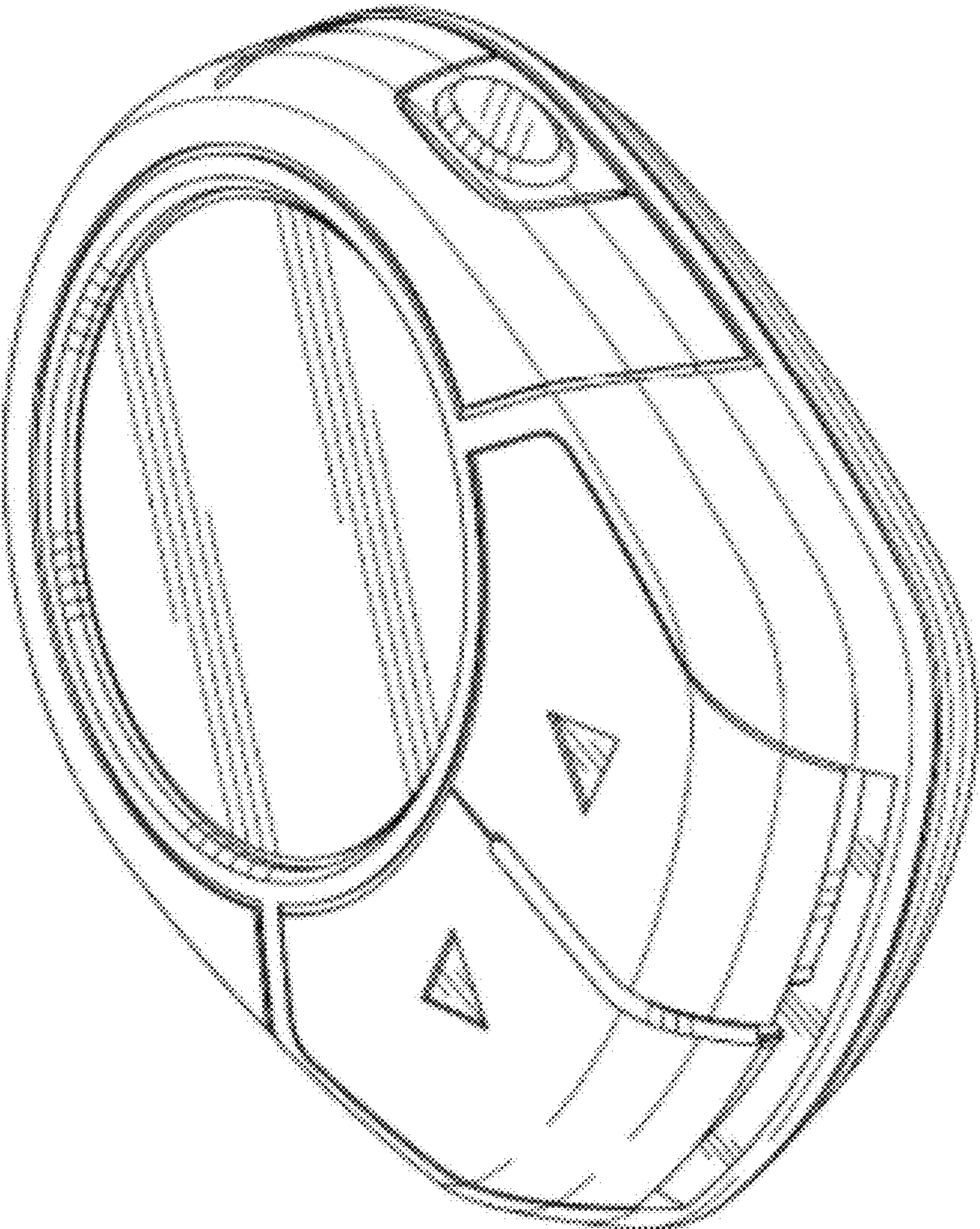


Figure 1

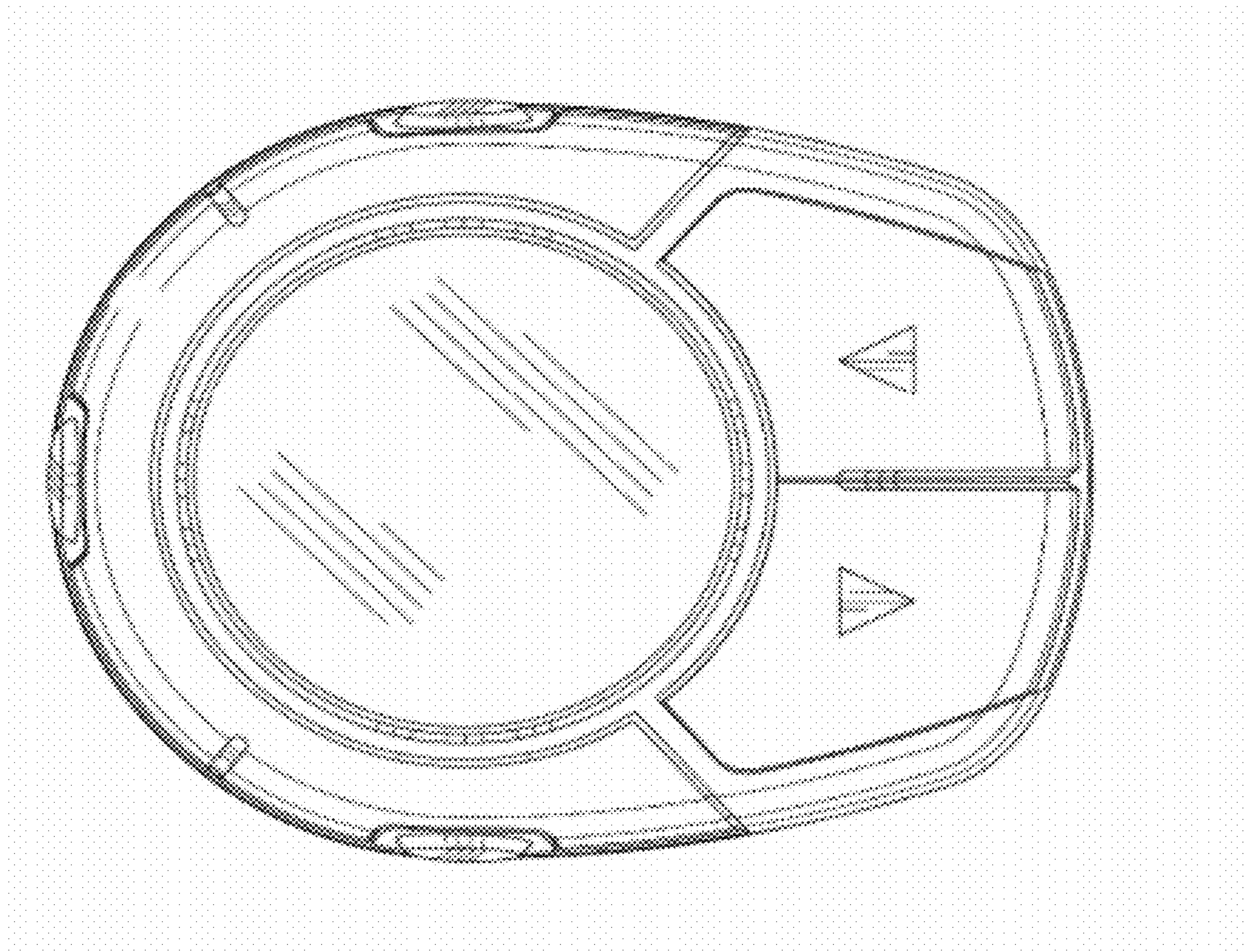


Figure 2

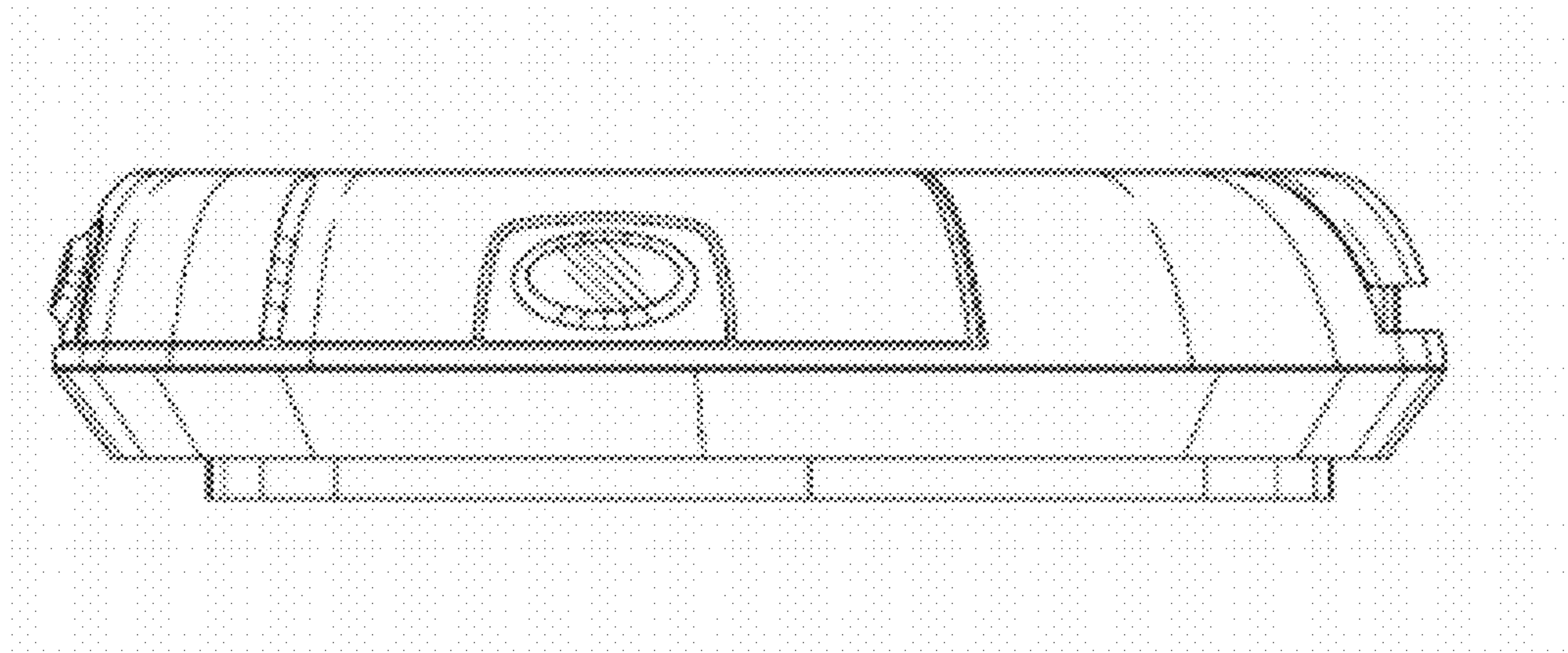


Figure 3

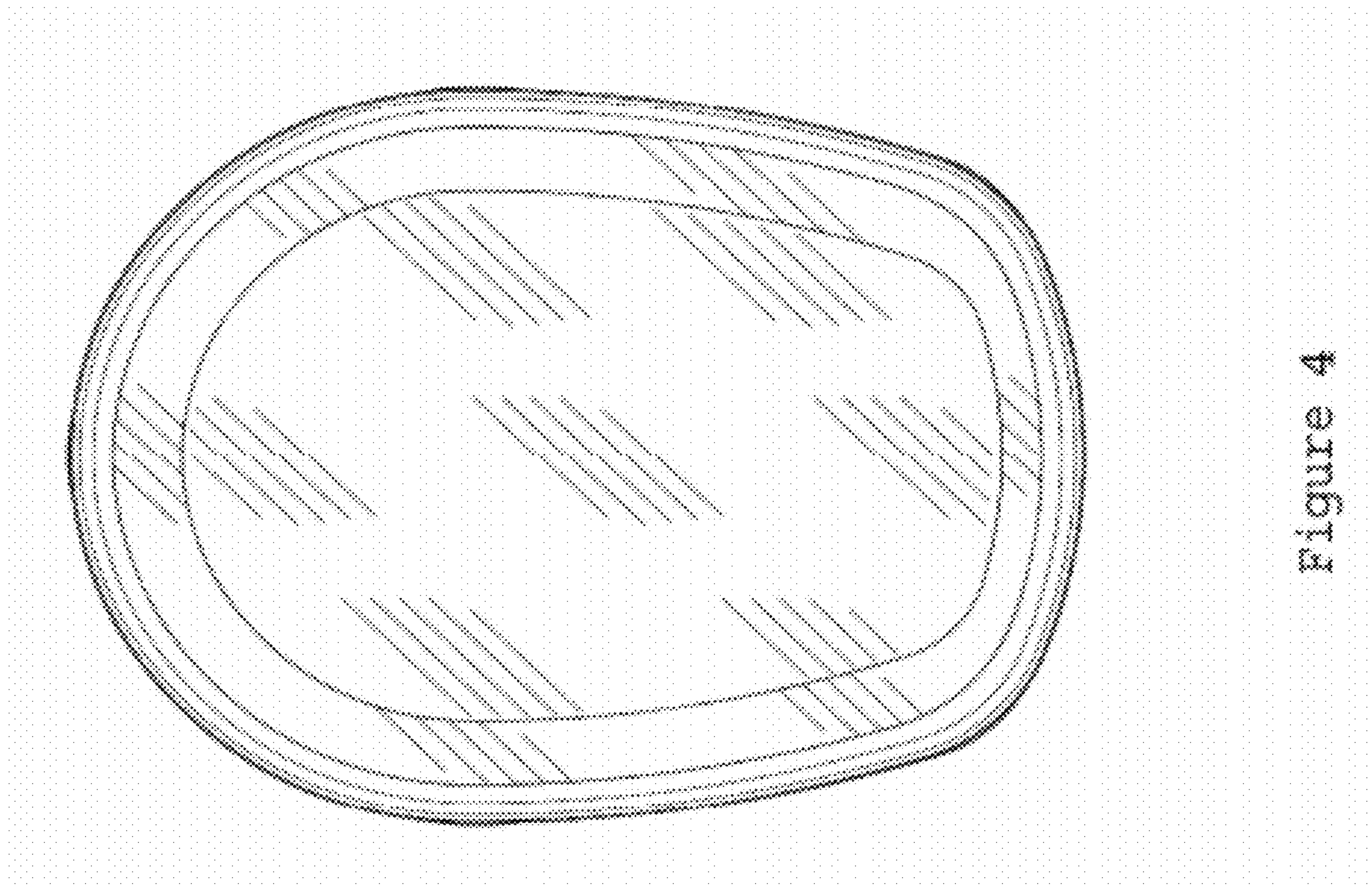


Figure 4

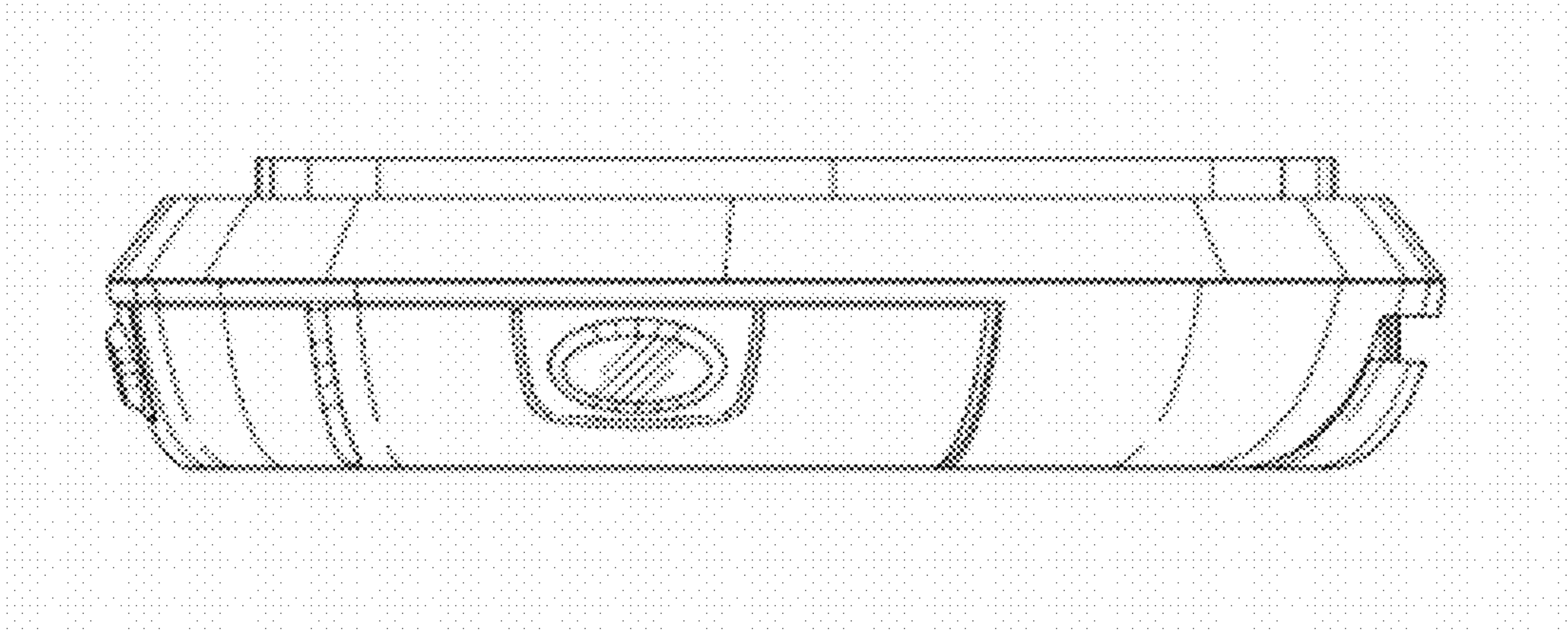


figure 5

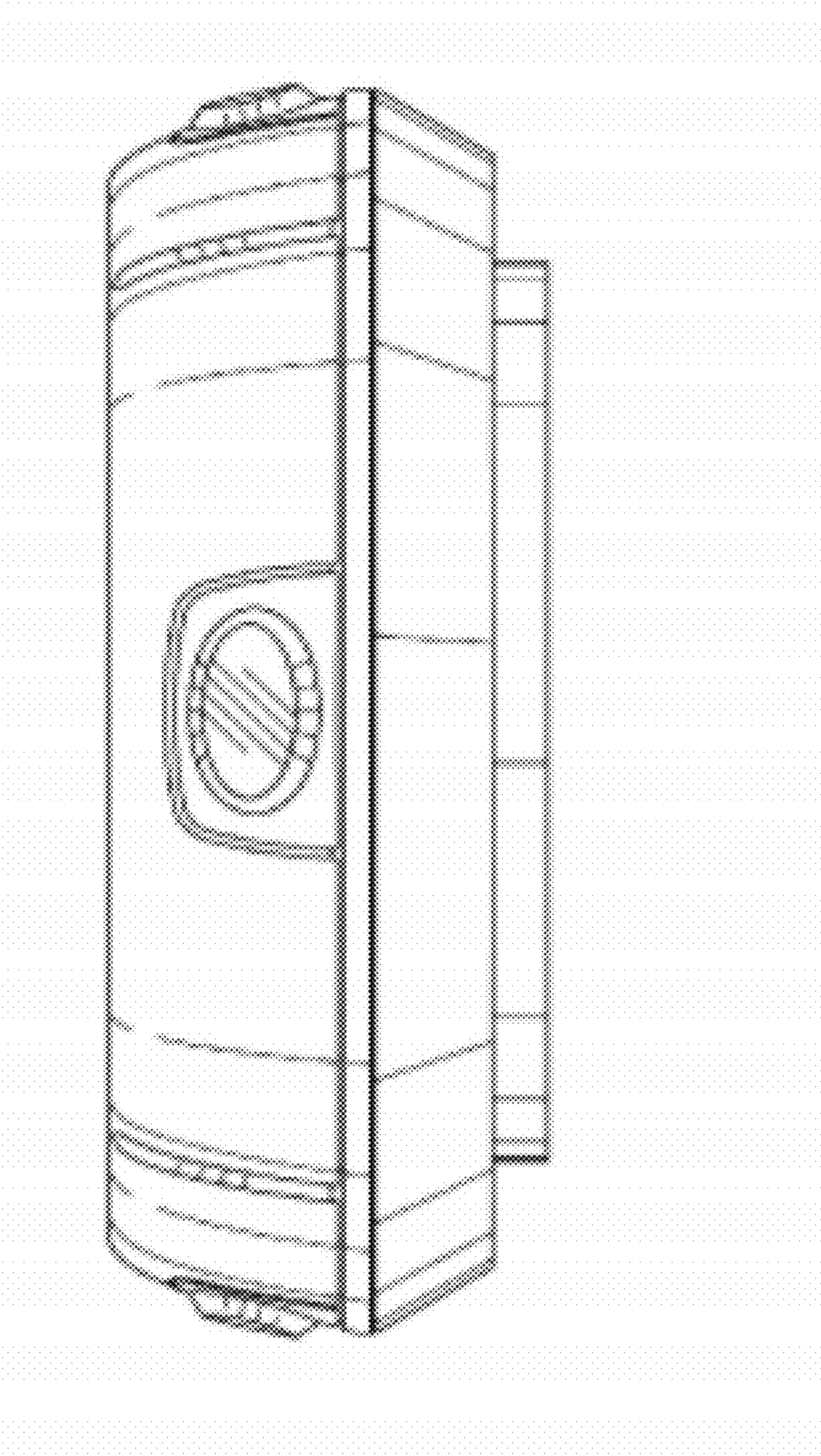


Figure 6

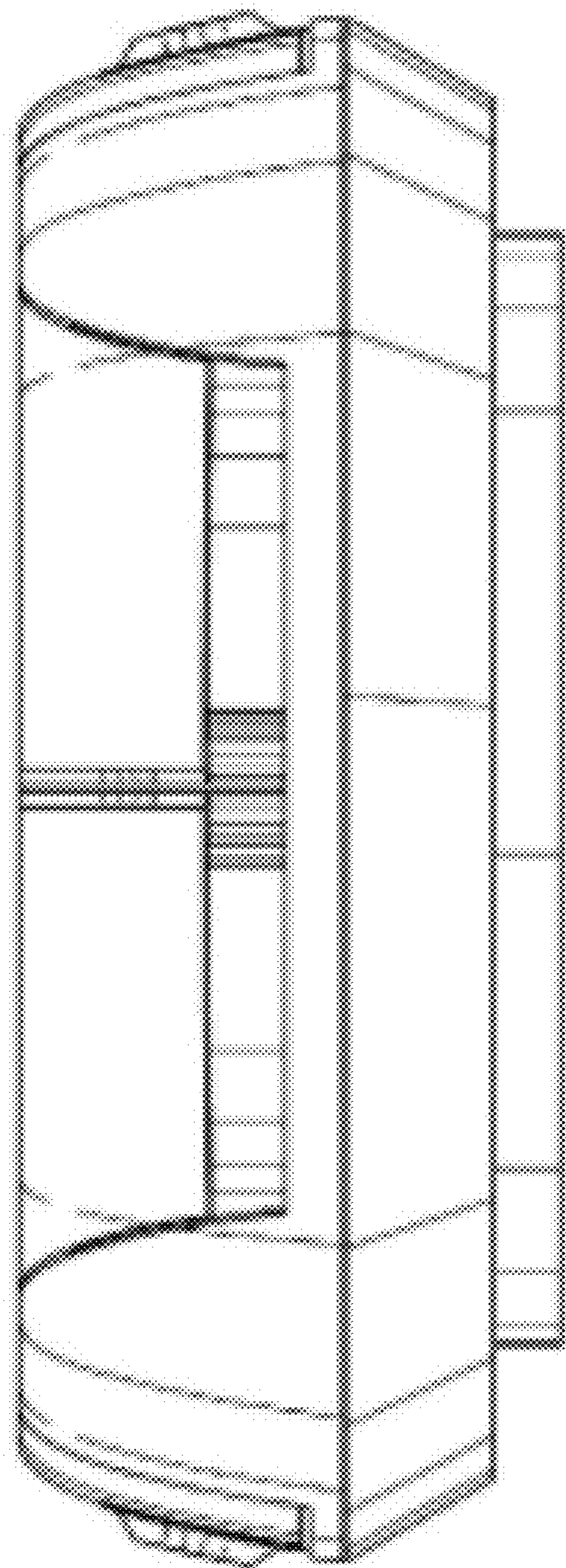


Figure 7

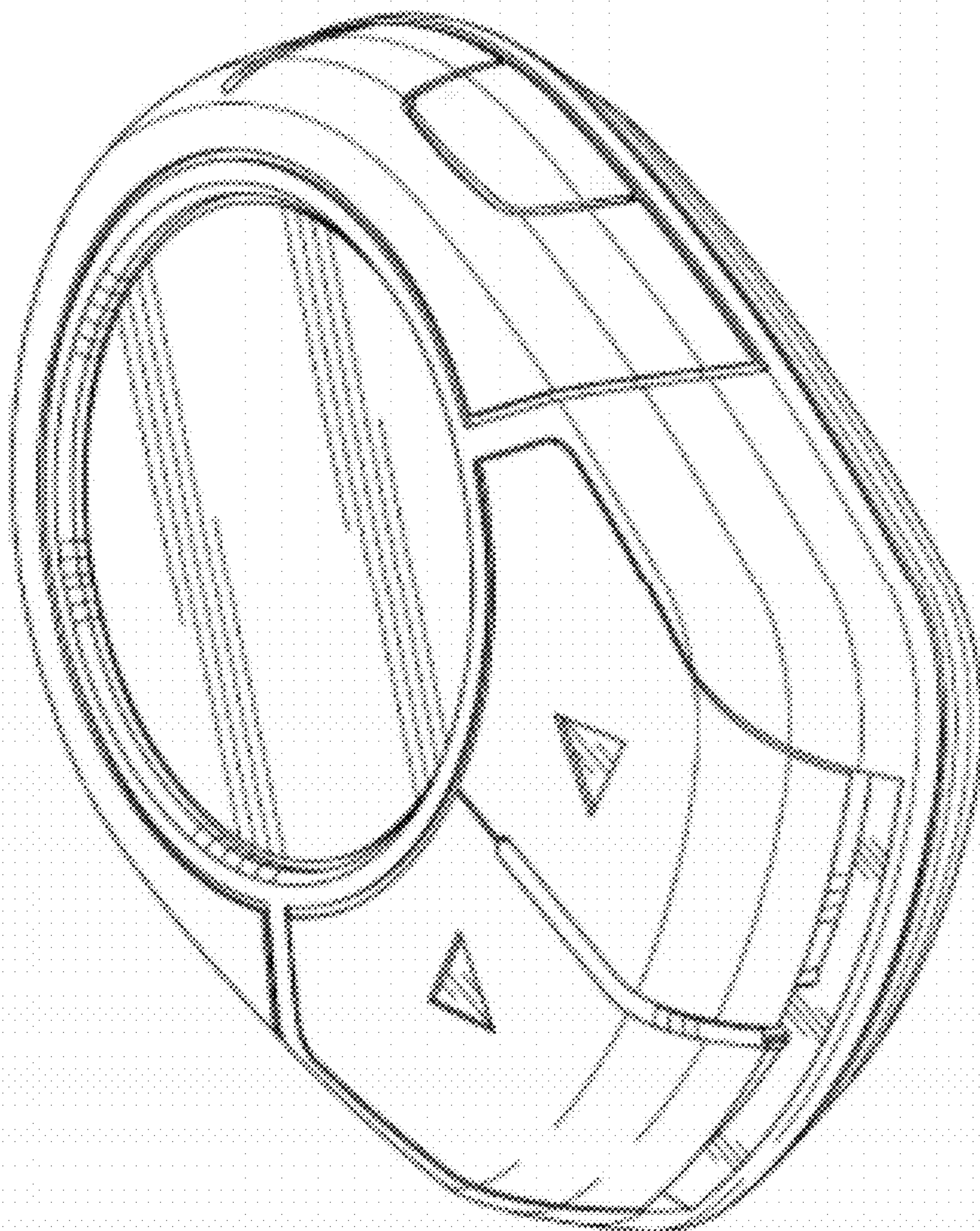


Figure 8

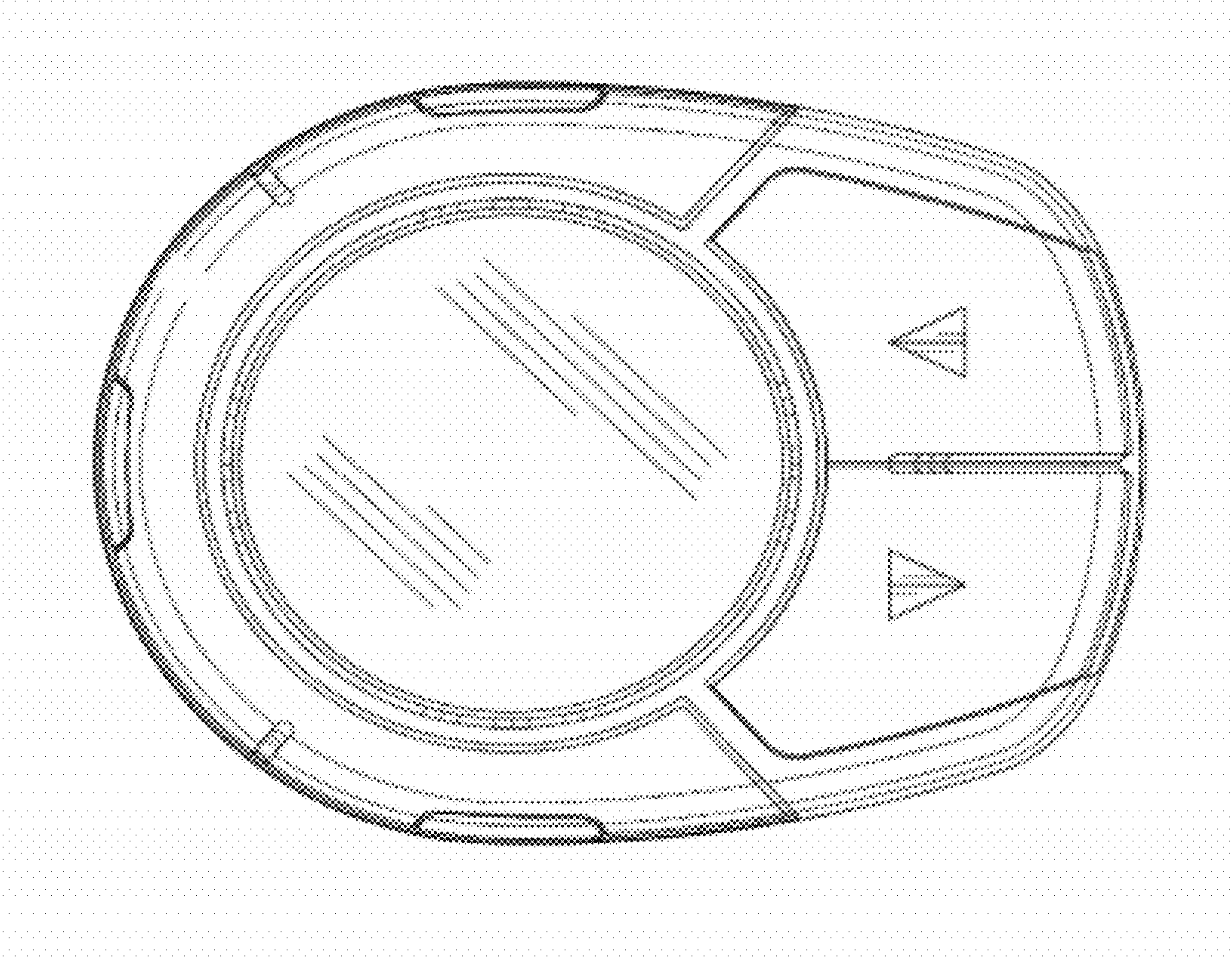


Figure 9

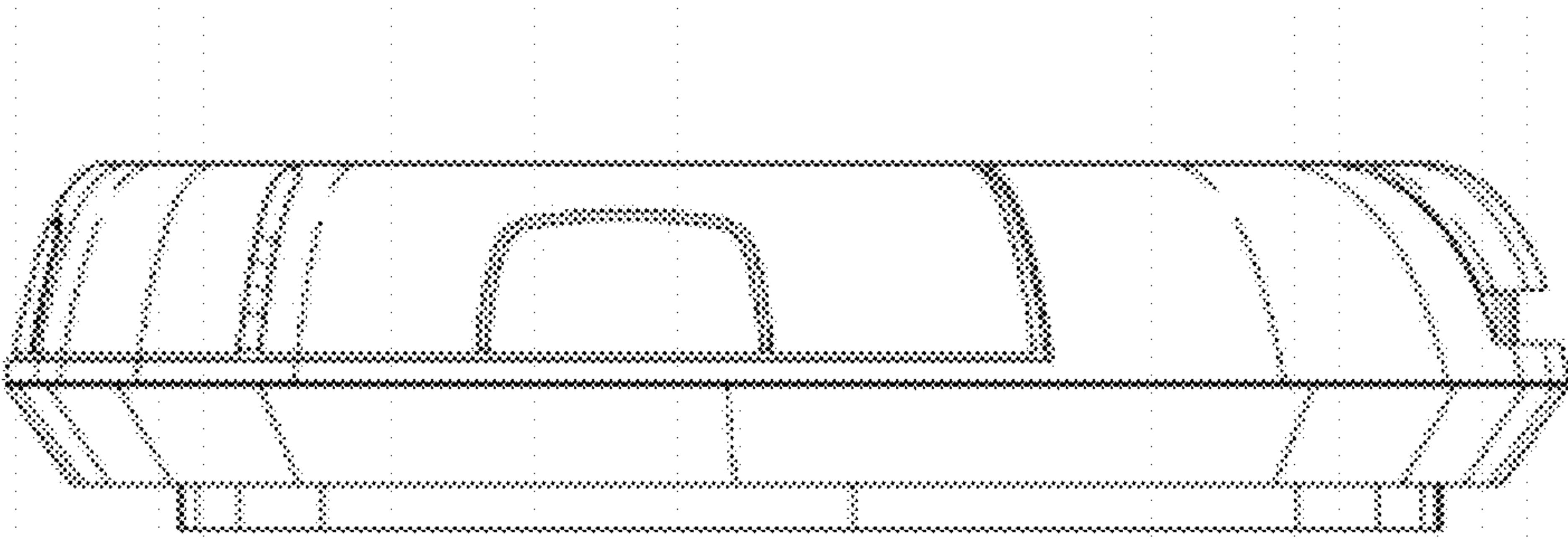


Figure 10

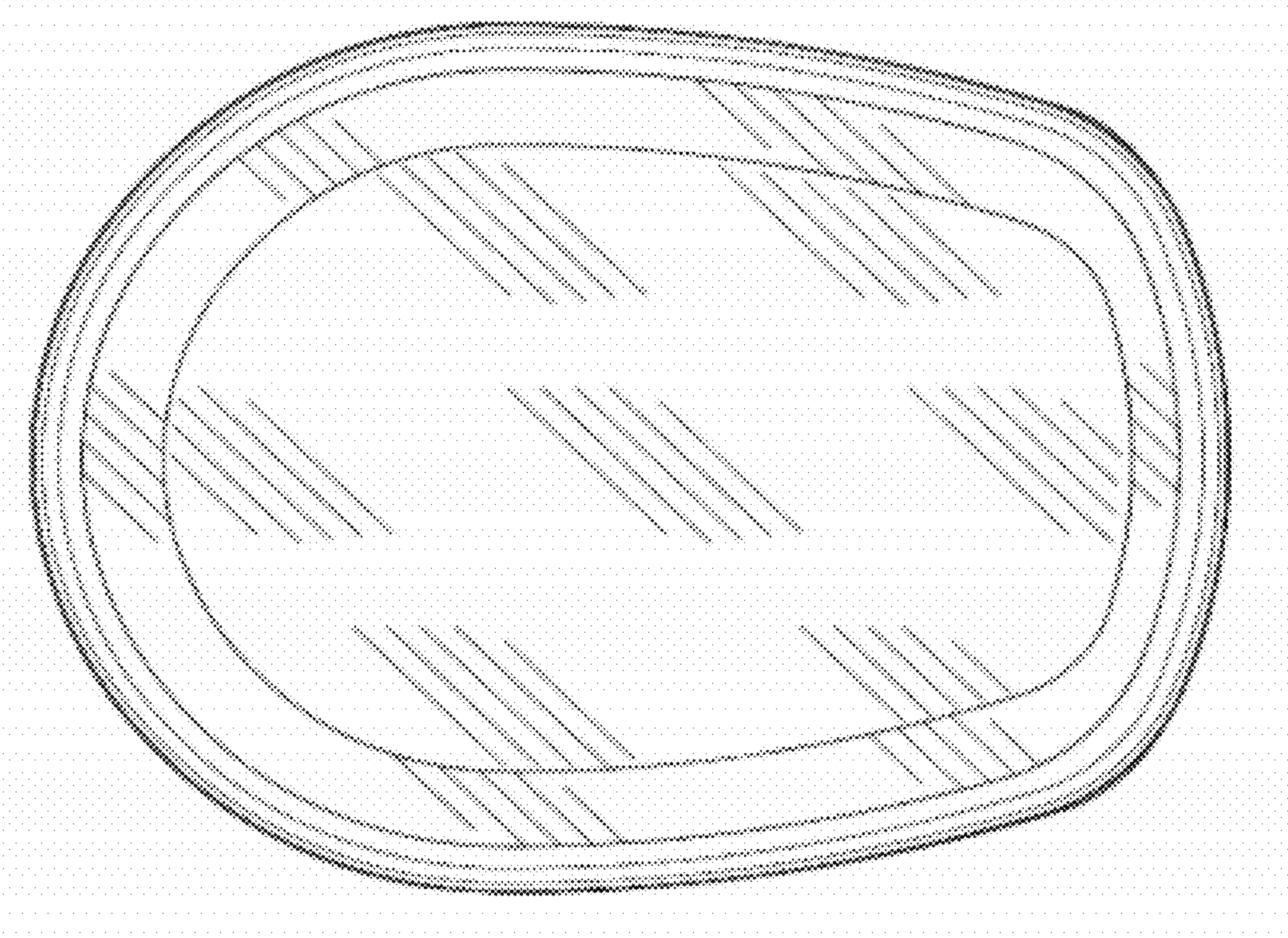


Figure 11

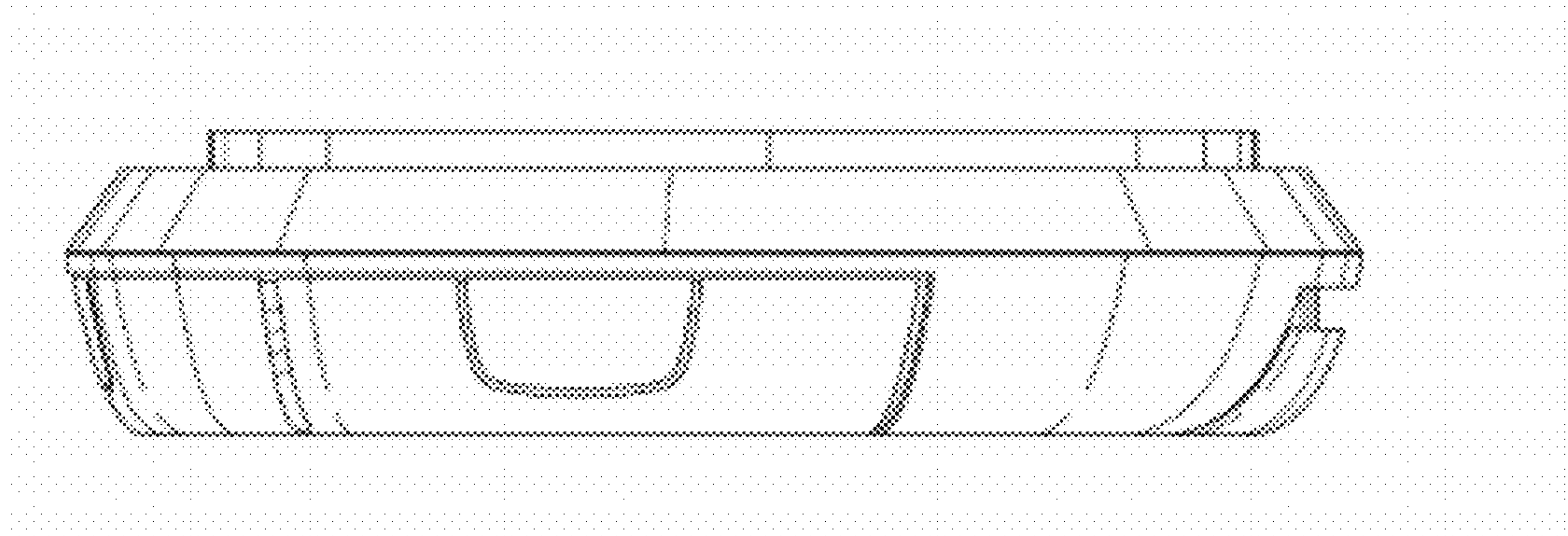


Figure 12

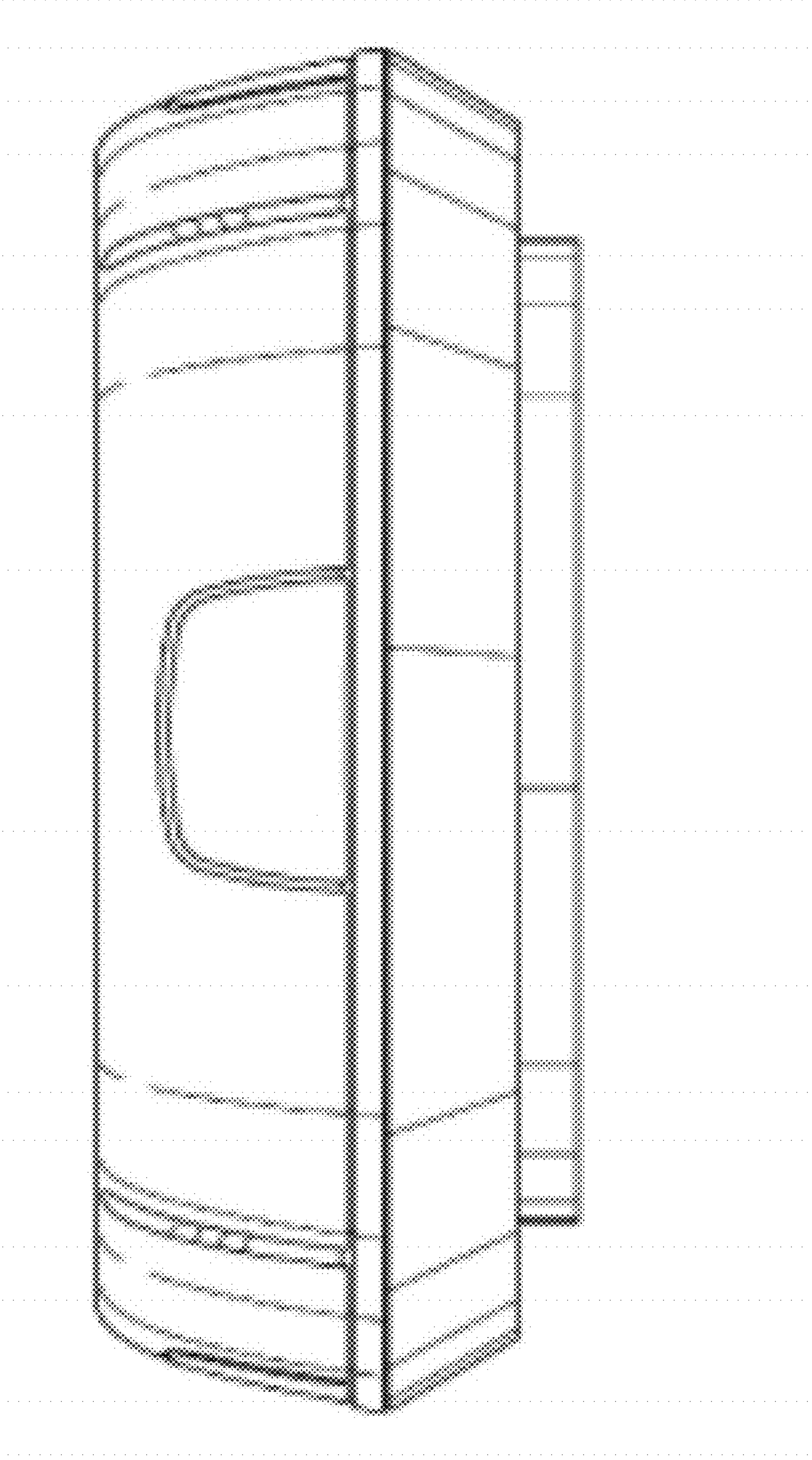


Figure 13

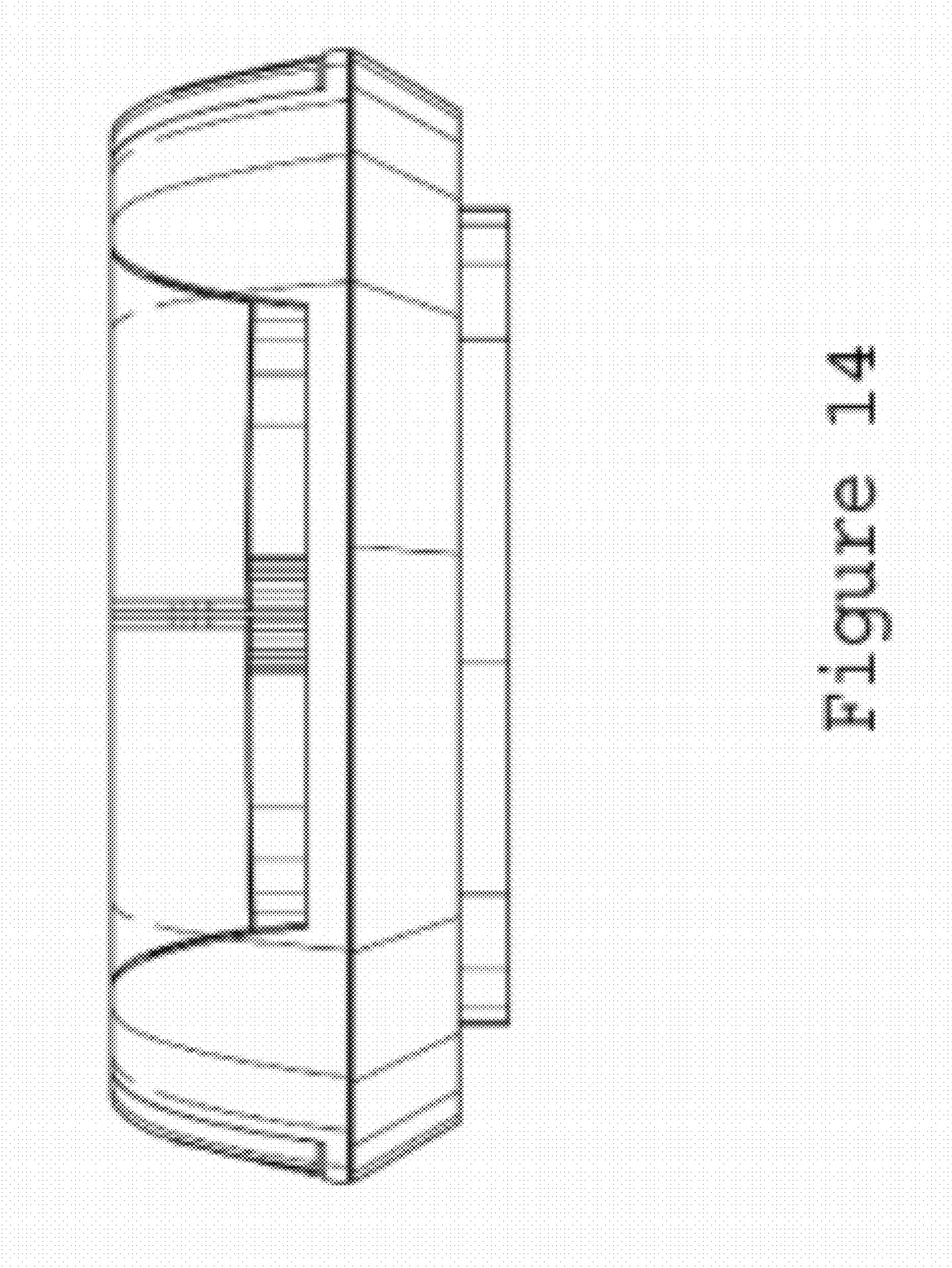


Figure 14