



US00D661606S

(12) **United States Design Patent**  
**Marzynski et al.**

(10) **Patent No.:** **US D661,606 S**  
(45) **Date of Patent:** **\*\* Jun. 12, 2012**

(54) **CLAMP METER**

(75) Inventors: **Matthew Marzynski**, Seattle, WA (US);  
**Hui Wang**, Shanghai (CN)

(73) Assignee: **Fluke Corporation**, Everett, WA (US)

(\*\*) Term: **14 Years**

(21) Appl. No.: **29/397,559**

(22) Filed: **Jul. 18, 2011**

**Related U.S. Application Data**

(62) Division of application No. 29/359,690, filed on Apr. 14, 2010, now Pat. No. Des. 642,945.

(51) **LOC (9) Cl.** ..... **10-04**

(52) **U.S. Cl.** ..... **D10/80**

(58) **Field of Classification Search** ..... D10/79,  
D10/80; 324/72.5, 556, 133, 149, 503, 543,  
324/555, 66, 72, 754, 115, 141, 116; 340/635,  
340/687

See application file for complete search history.

(56) **References Cited**

**U.S. PATENT DOCUMENTS**

D440,892 S	4/2001	Kuramoto	
D452,659 S *	1/2002	Harju et al.	D10/79
D467,190 S	12/2002	Ikeda et al.	
D472,830 S	4/2003	Chang	
6,975,104 B2 *	12/2005	Gregorec, Jr.	324/126
D514,005 S *	1/2006	Gregorec et al.	D10/79
D545,704 S	7/2007	Kuramoto	
D567,687 S	4/2008	Elrod	

7,733,080 B1 *	6/2010	Liu	324/126
D636,285 S *	4/2011	Wurts	D10/79
2002/0101230 A1 *	8/2002	Gregorec et al.	324/115

**FOREIGN PATENT DOCUMENTS**

JP	D1270415 S	3/2006
JP	D1302738 S	4/2007
JP	D1303574 S	5/2007
TW	453800	9/2001
TW	481471	3/2002
TW	D112738 S	9/2006
TW	D113430 S	10/2006

**OTHER PUBLICATIONS**

Taiwanese Design Application No. 09920714140, Office Action and Search Report, 6 pages, Oct. 7, 2010.

\* cited by examiner

*Primary Examiner* — Antoine D Davis

(74) *Attorney, Agent, or Firm* — Perkins Coie LLP

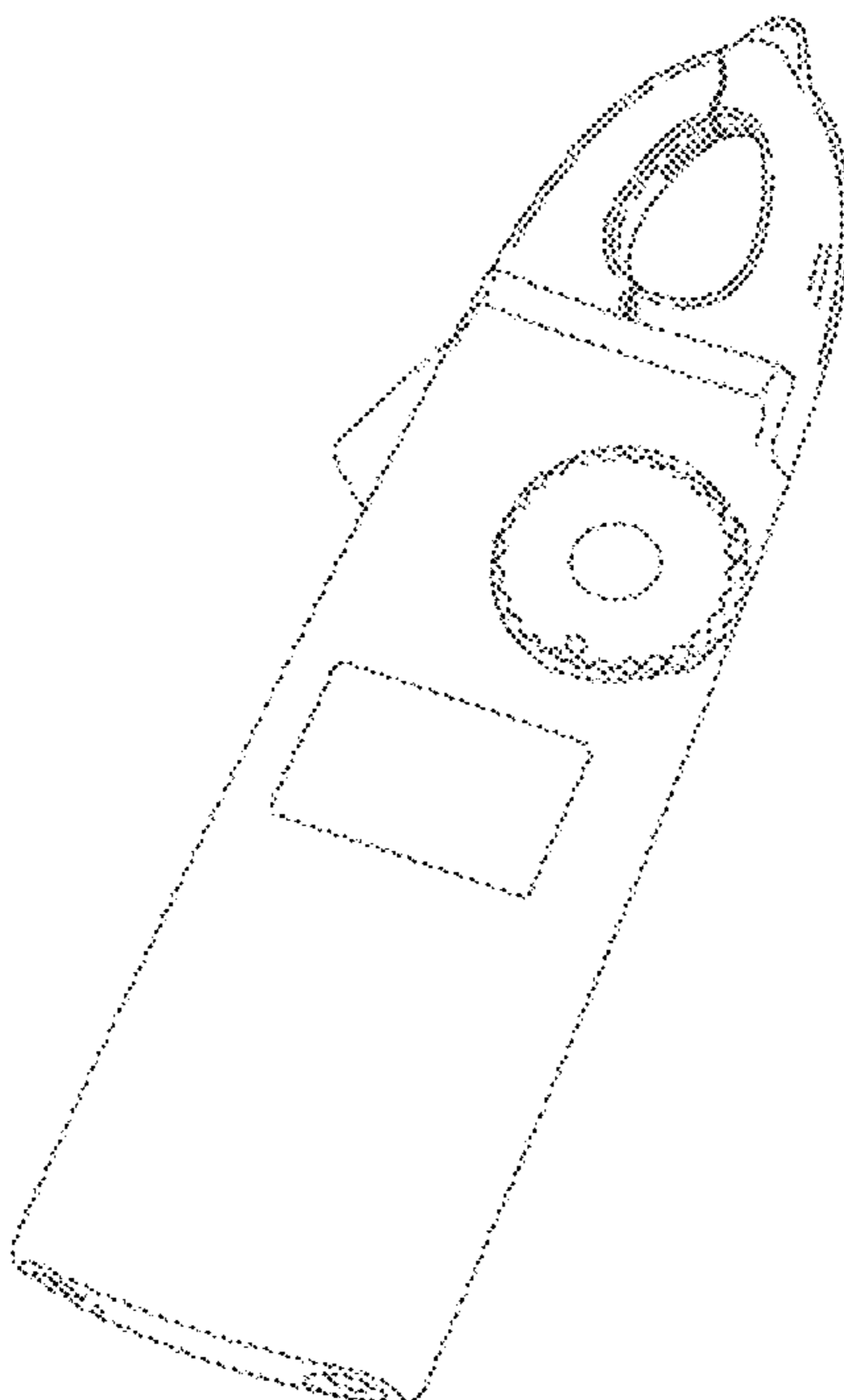
(57) **CLAIM**

The ornamental design for a clamp meter, as shown and described.

**DESCRIPTION**

FIG. 1 is a front view of a clamp meter.  
FIG. 2 is a back view thereof.  
FIG. 3 is a right side view thereof.  
FIG. 4 is a left side view thereof.  
FIG. 5 is a top view thereof.  
FIG. 6 is a bottom view thereof; and,  
FIG. 7 is a perspective view thereof.  
The broken lines form no part of the claimed design.

**1 Claim, 5 Drawing Sheets**



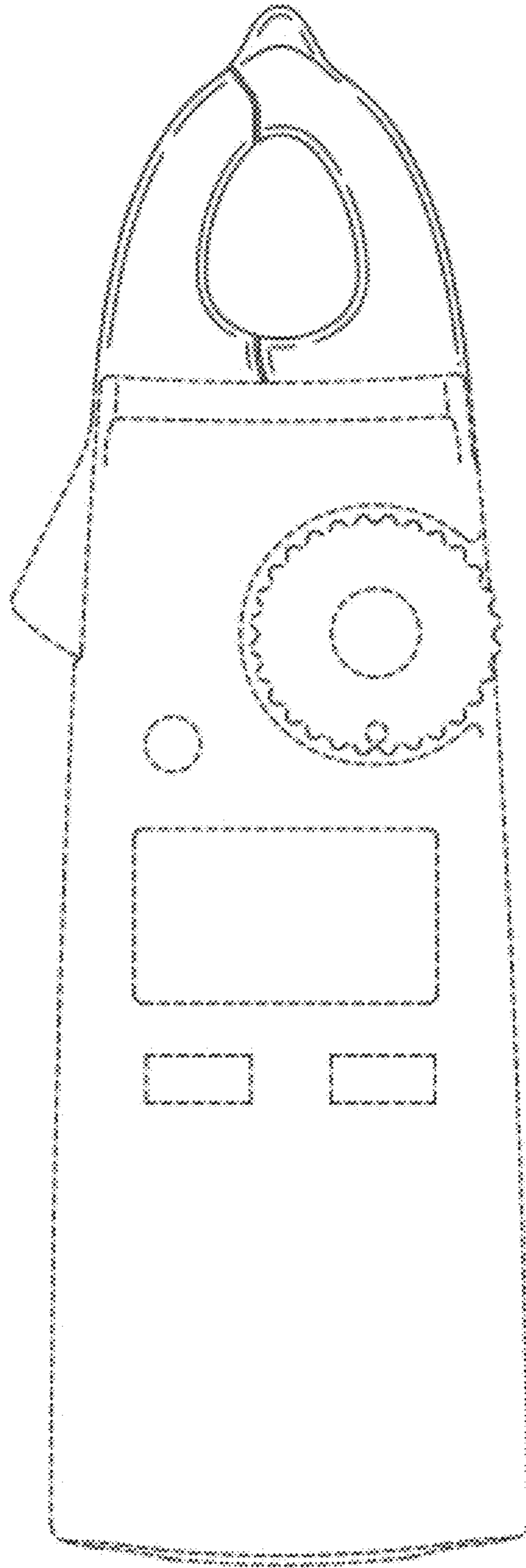


FIG. 1

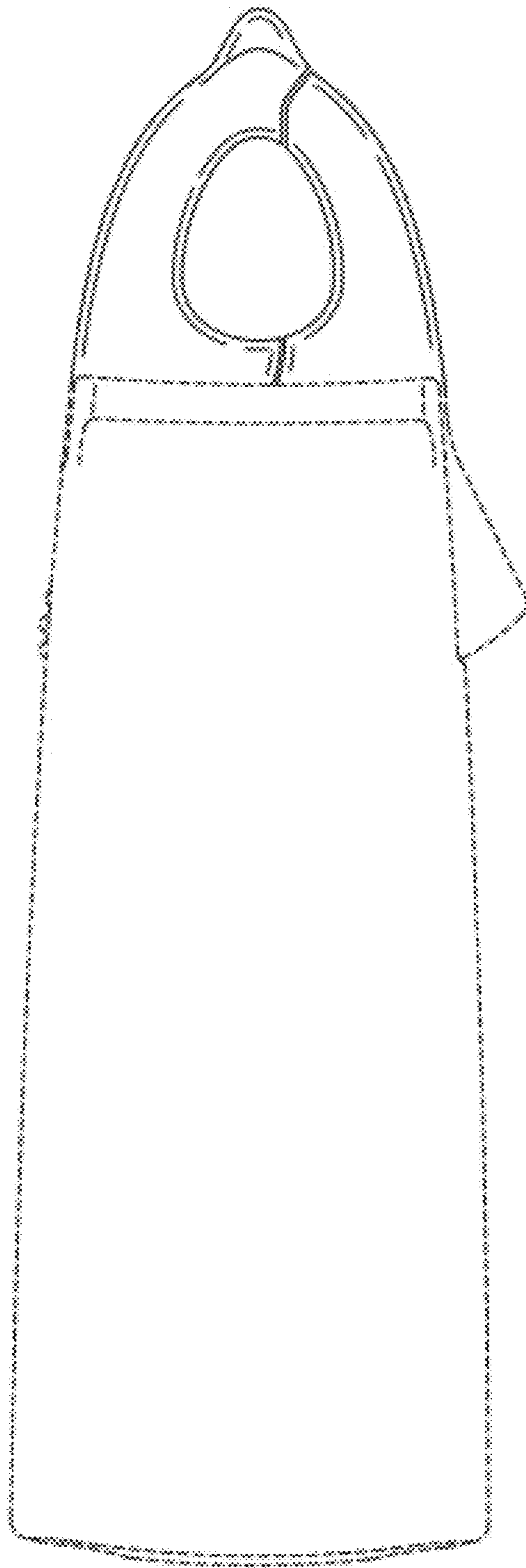


FIG. 2

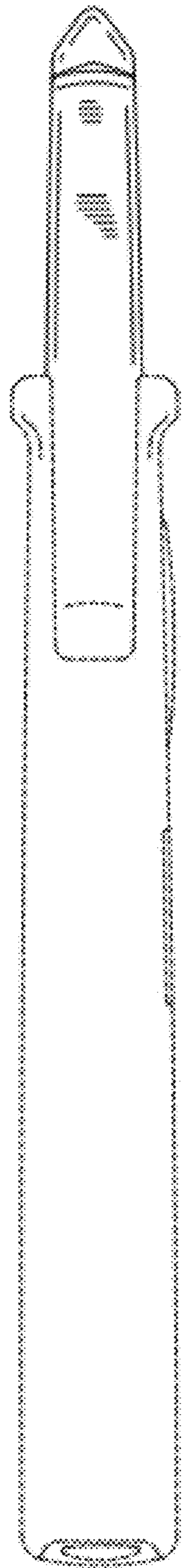


FIG. 3

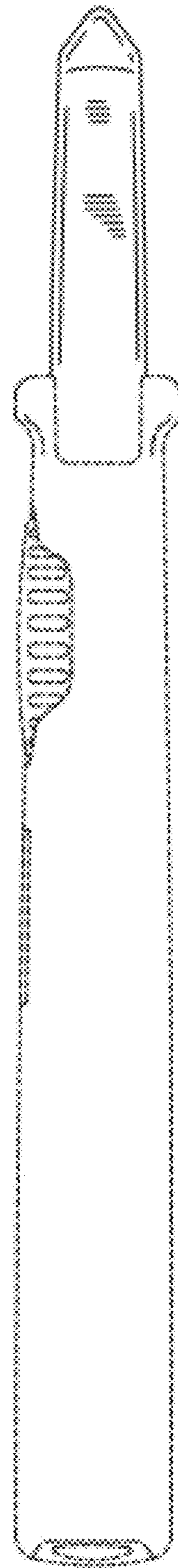


FIG. 4

FIG. 5

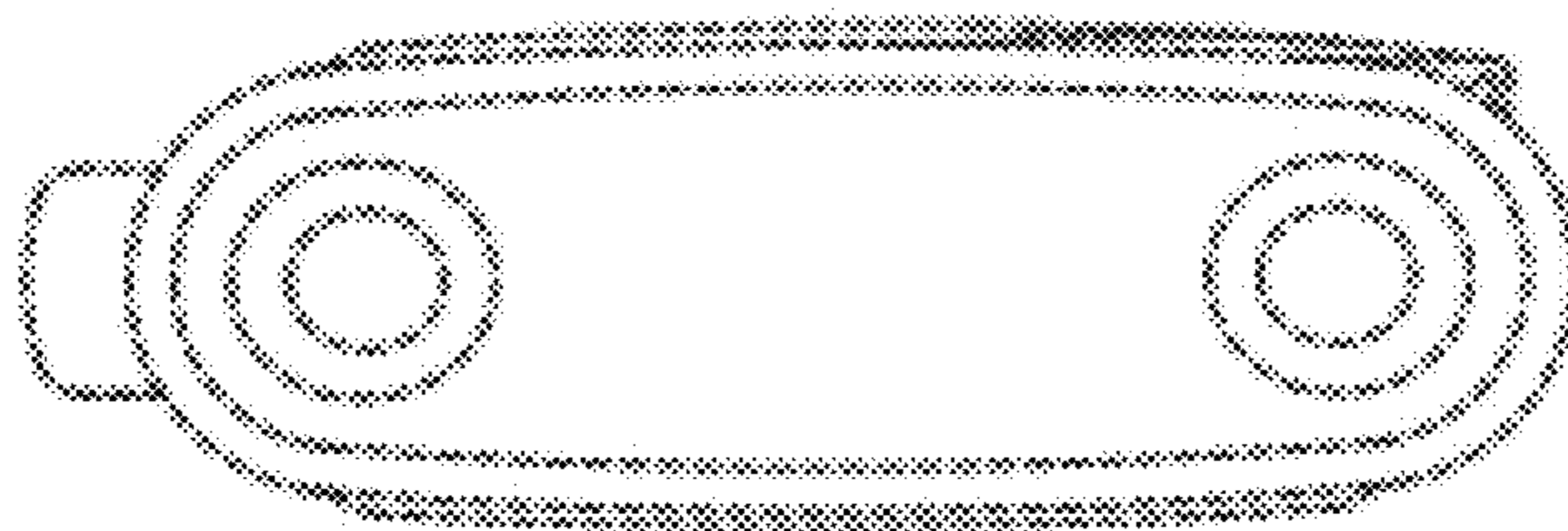
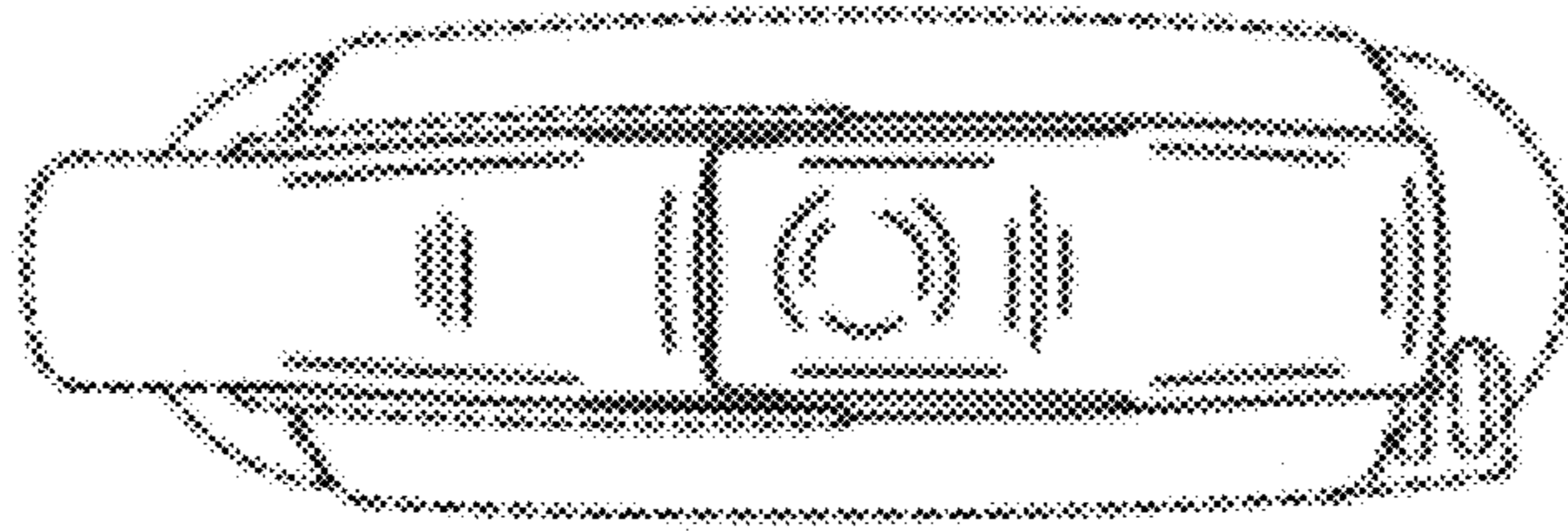


FIG. 6



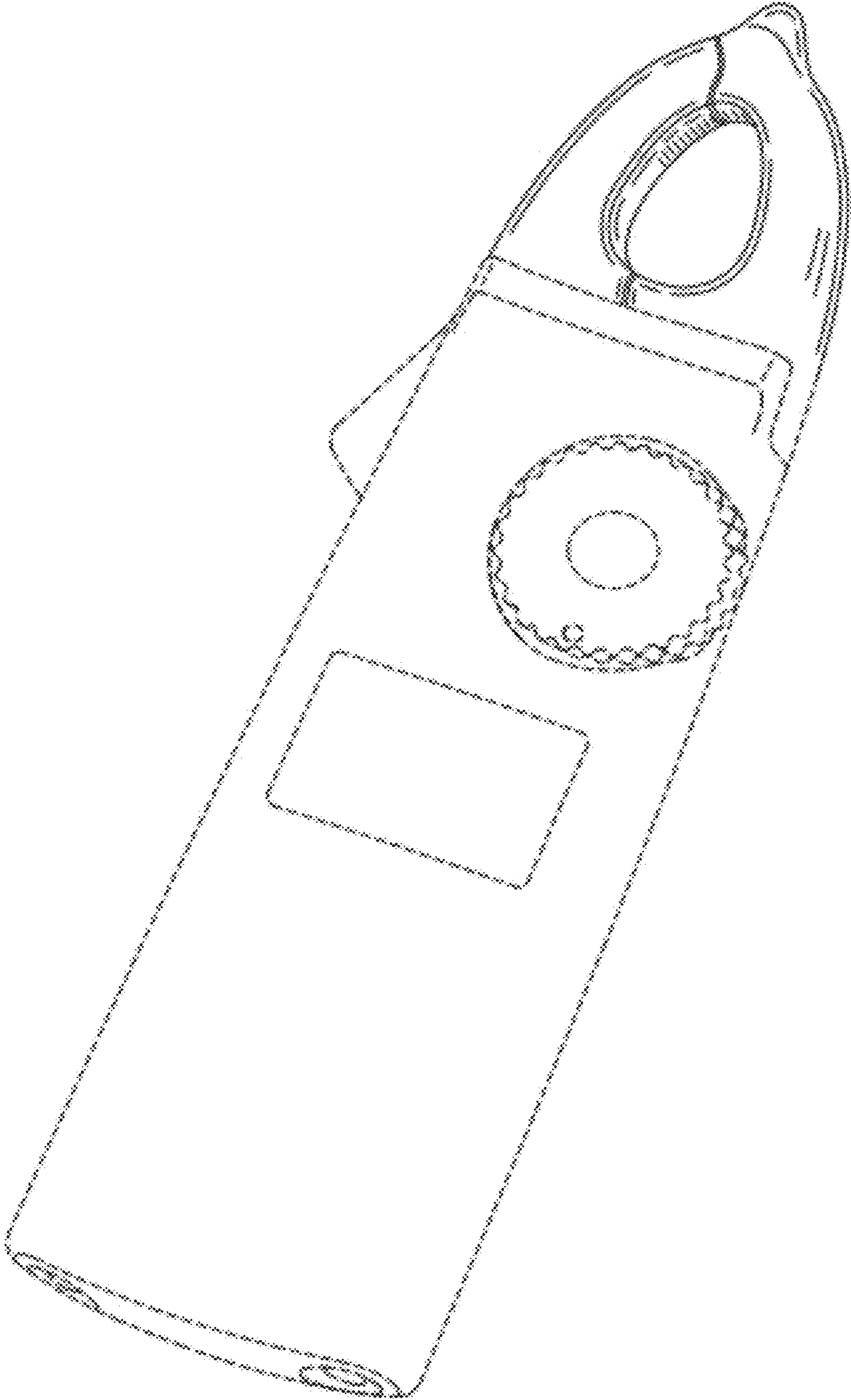


FIG. 7