



US00D661602S

(12) **United States Design Patent**
Calce

(10) **Patent No.:** **US D661,602 S**
(45) **Date of Patent:** **** Jun. 12, 2012**

(54) **WRISTWATCH**

(75) Inventor: **Antonio Calce**, Bôle (CH)

(73) Assignee: **Montres Corum Sàrl**, La
Chaux-de-Fonds (CH)

(**) Term: **14 Years**

(21) Appl. No.: **29/407,802**

(22) Filed: **Dec. 2, 2011**

(30) **Foreign Application Priority Data**

Jul. 19, 2011 (CH) 138 169

(51) **LOC (9) Cl.** **10-02**

(52) **U.S. Cl.** **D10/32**

(58) **Field of Classification Search** D10/30-39;
368/276, 281, 282, 285, 124-133, 223, 228,
368/232, 233, 234, 80; D11/3

See application file for complete search history.

(56) **References Cited**

U.S. PATENT DOCUMENTS

462,000	A	*	10/1891	Fellinger	368/81
1,442,249	A	*	1/1923	Buro	368/124
1,905,682	A	*	4/1933	Carlson	368/281
D151,301	S	*	10/1948	Tuffo	D10/31
3,162,007	A	*	12/1964	Parmentier	368/281
3,270,928	A	*	9/1966	Brunet	224/164
D266,908	S	*	11/1982	Schwab et al.	D10/39
D266,909	S	*	11/1982	Schwab et al.	D10/39
D266,994	S	*	11/1982	Schwab et al.	D10/39

D267,931	S	*	2/1983	Schwab et al.	D10/39
D362,633	S	*	9/1995	Bertolucci	D10/32
D382,211	S	*	8/1997	Bodino	D10/30
D420,293	S	*	2/2000	Parmigiani	D10/30
D530,225	S	*	10/2006	Wunderman	D10/32
D530,229	S	*	10/2006	Wunderman	D10/32
D540,699	S	*	4/2007	Niculescu	D10/39
D560,124	S	*	1/2008	Sirmakes	D10/32
D564,906	S	*	3/2008	Modolo	D10/32
D616,312	S	*	5/2010	Ellia	D10/39
D624,439	S	*	9/2010	Wunderman	D10/32
D640,572	S	*	6/2011	Calce	D10/32
D644,539	S	*	9/2011	Calce	D10/38
D644,942	S	*	9/2011	Calce	D10/38
D650,708	S	*	12/2011	Laucella	D10/39

* cited by examiner

Primary Examiner — Lucy Lieberman

(74) *Attorney, Agent, or Firm* — Sughrue Mion, PLLC

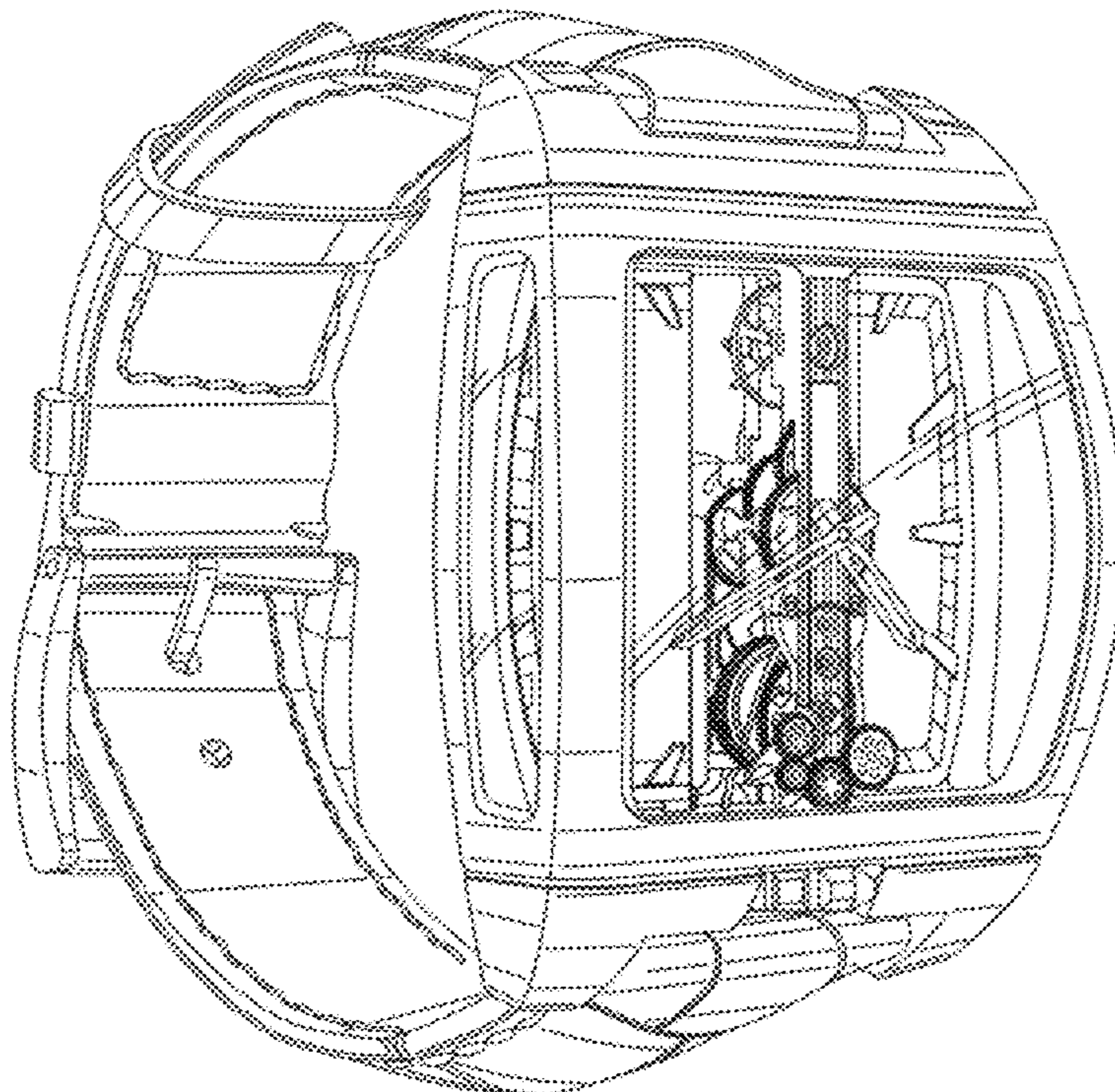
(57) **CLAIM**

The ornamental design for a wristwatch, as shown and described.

DESCRIPTION

FIG. 1 is a perspective view of the front and left sides of the wristwatch that comprises my invention; FIG. 2 is a front elevational view thereof; FIG. 3 is a rear elevational view thereof; FIG. 4 is a left elevational view thereof; FIG. 5 is a right elevational view thereof; FIG. 6 is a bottom plan view thereof; FIG. 7 is a top plan view thereof; and, FIG. 8 is a perspective view of the rear and left sides thereof.

1 Claim, 8 Drawing Sheets



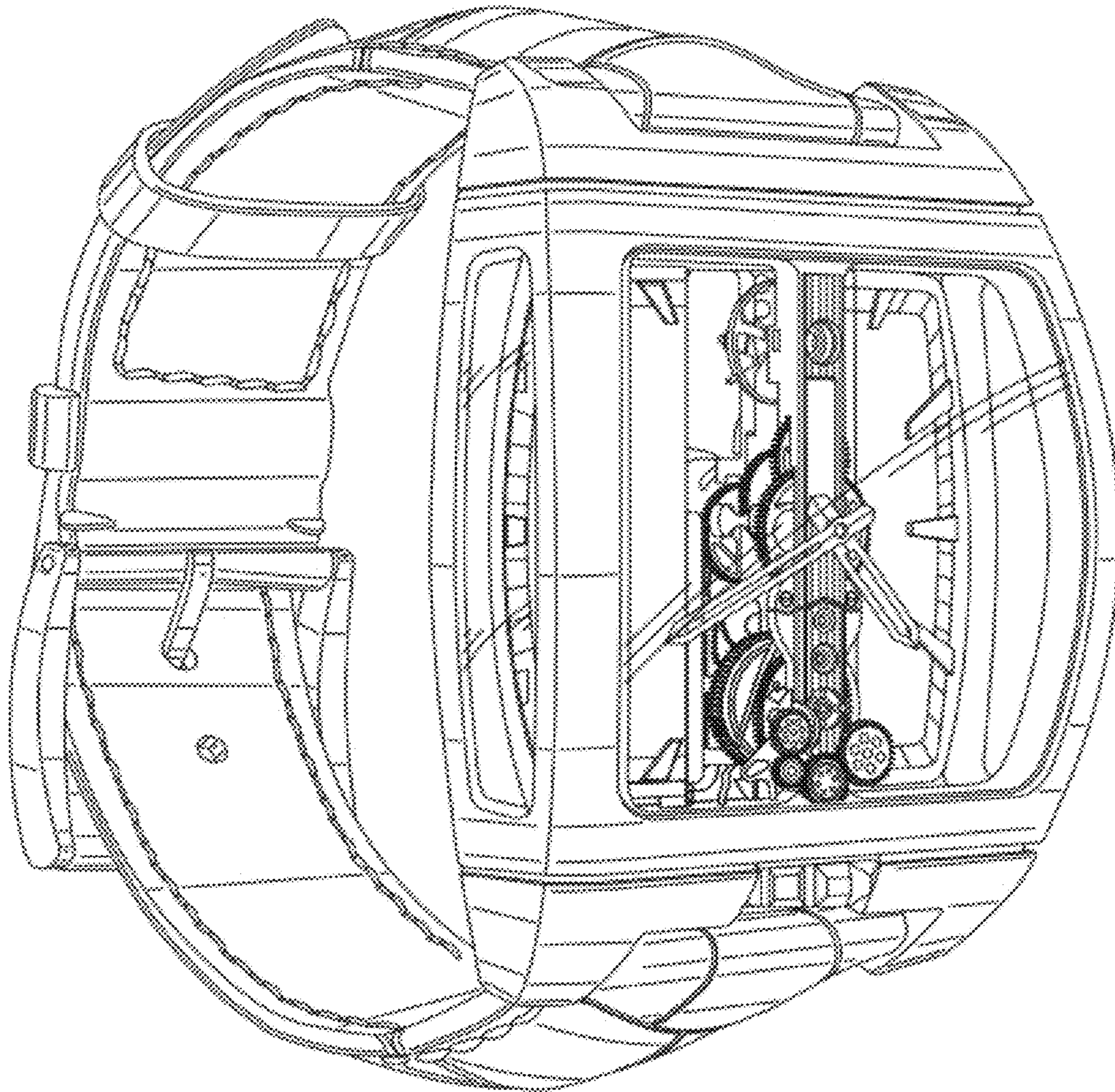


FIG. 1

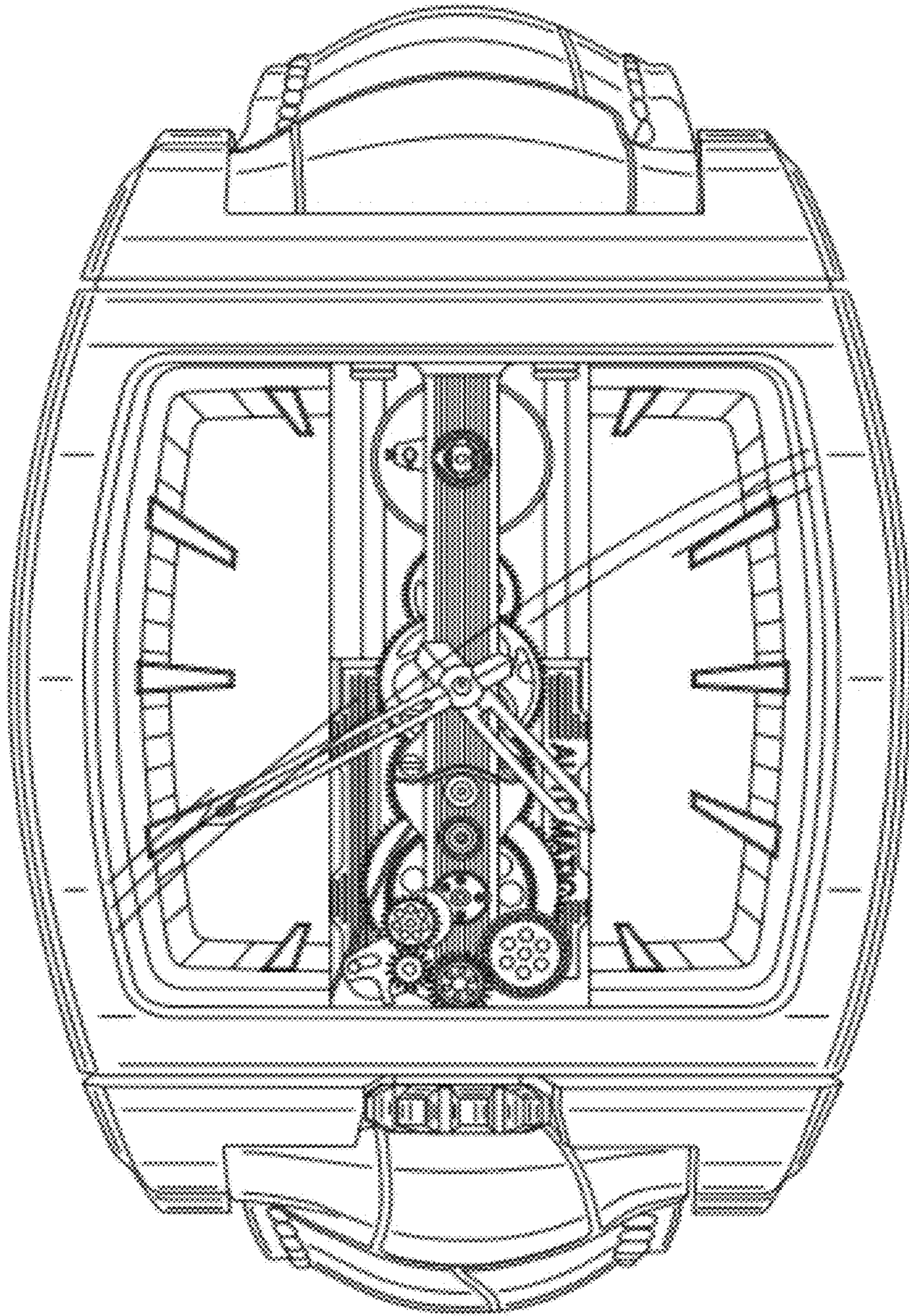


FIG. 2

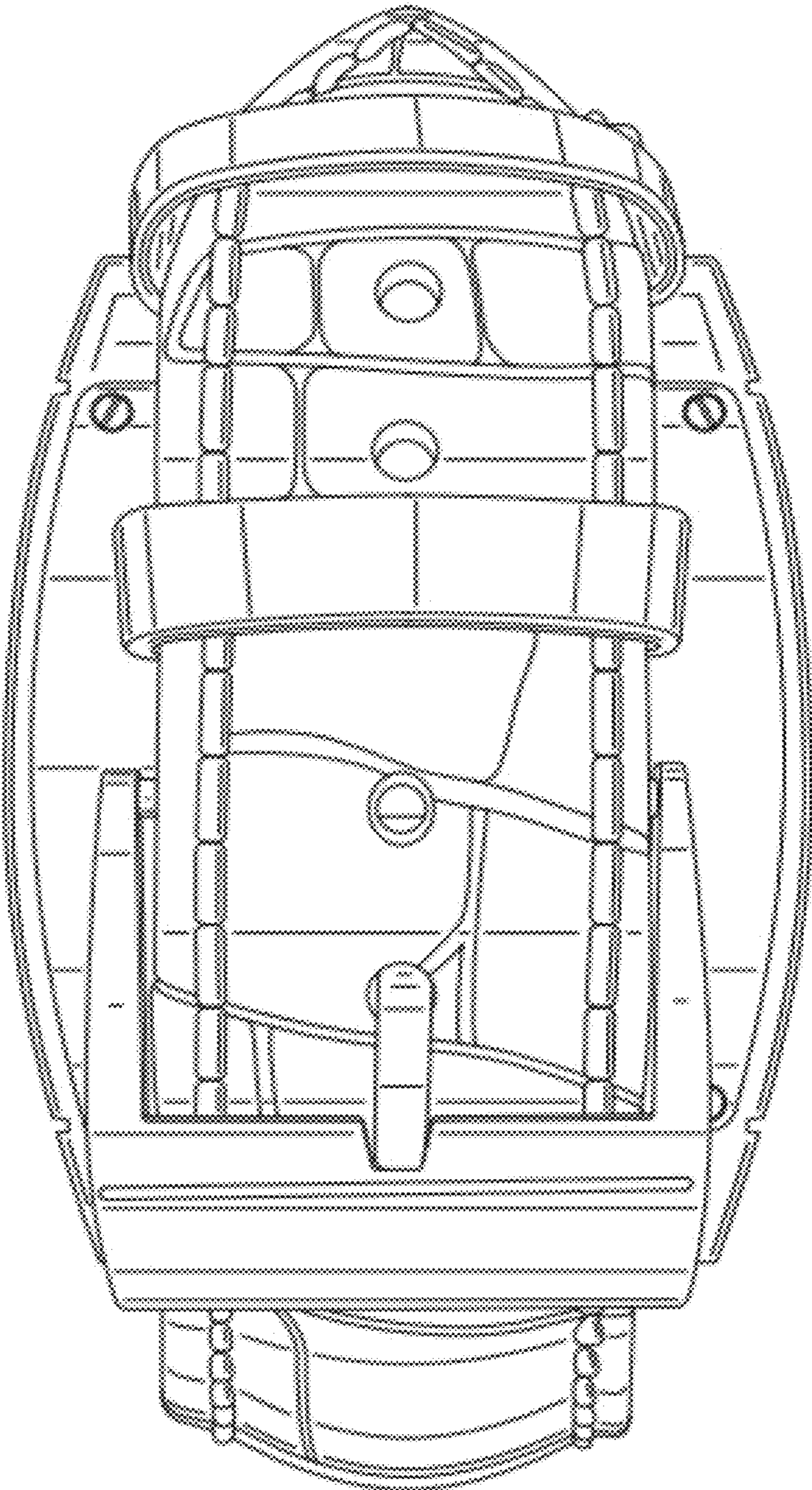


FIG. 3

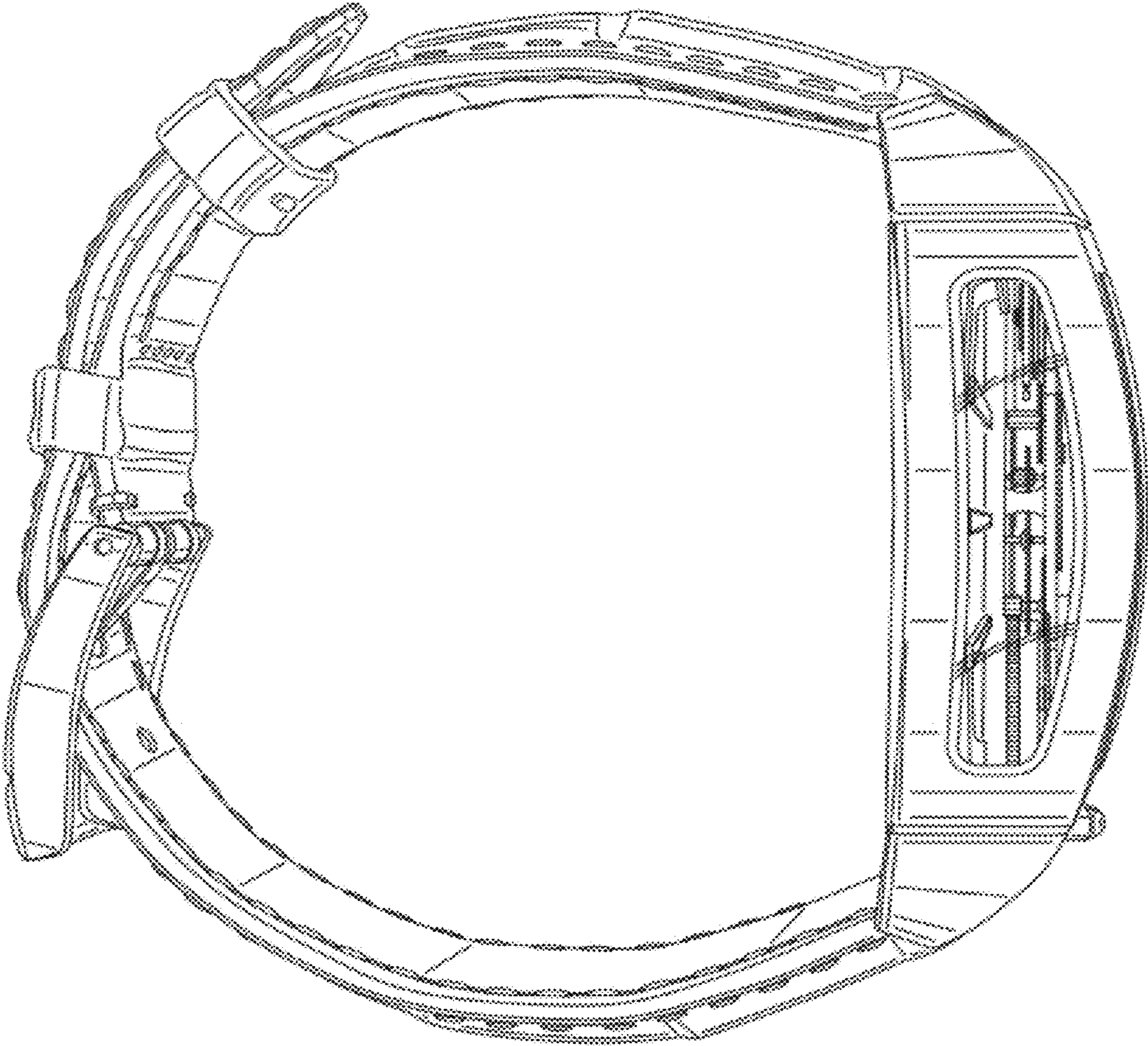


FIG. 4

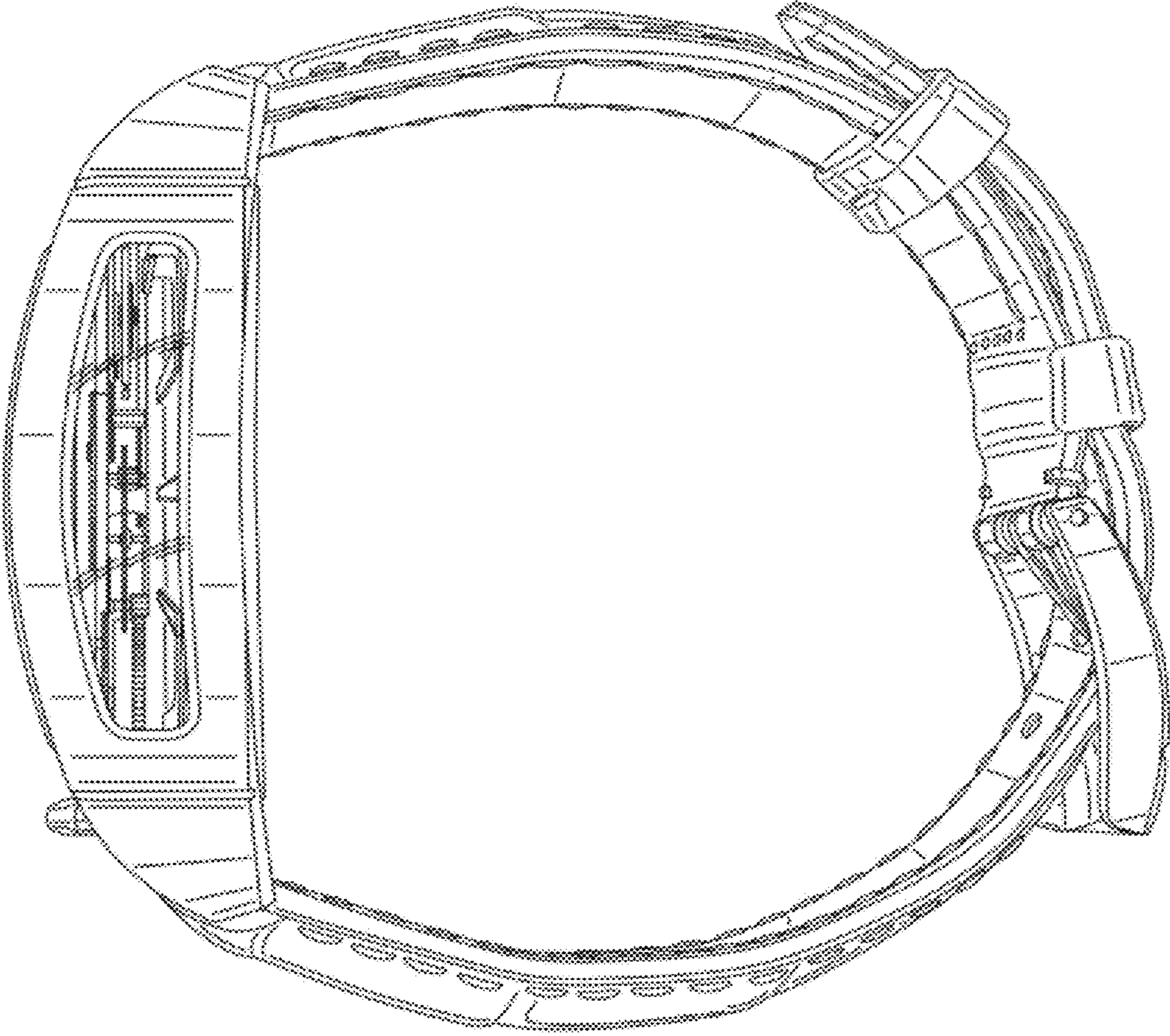


FIG. 5

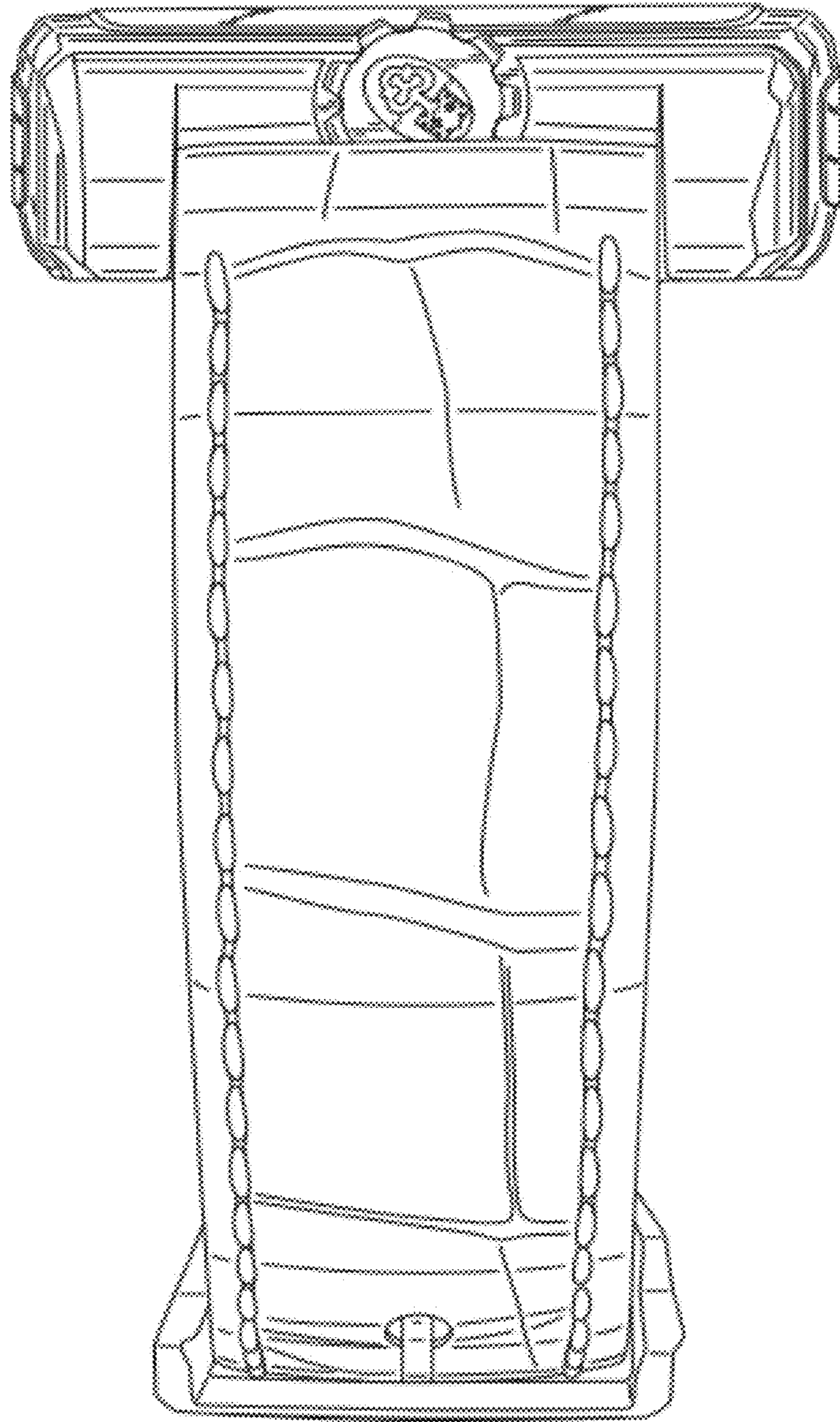


FIG. 6

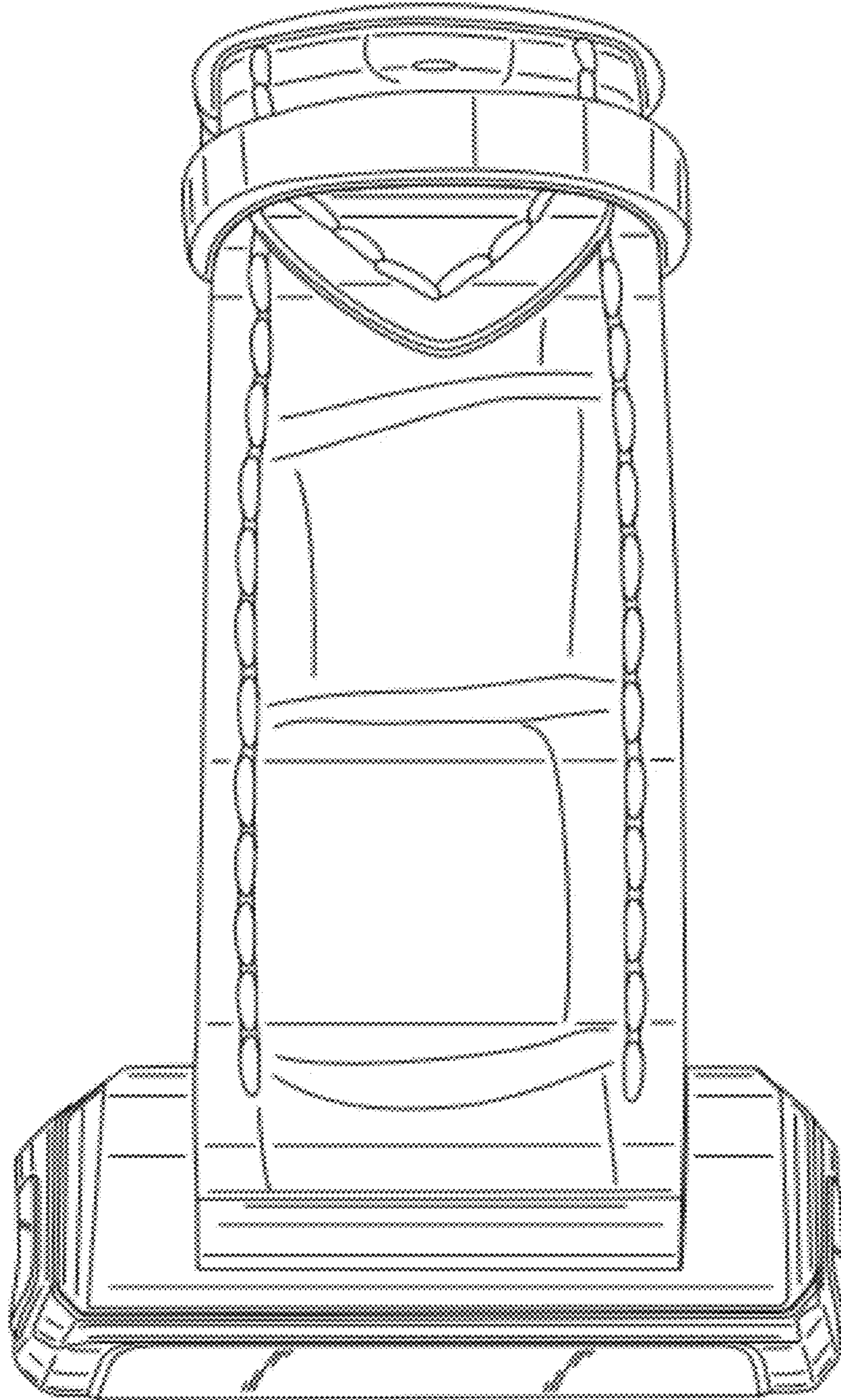


FIG. 7

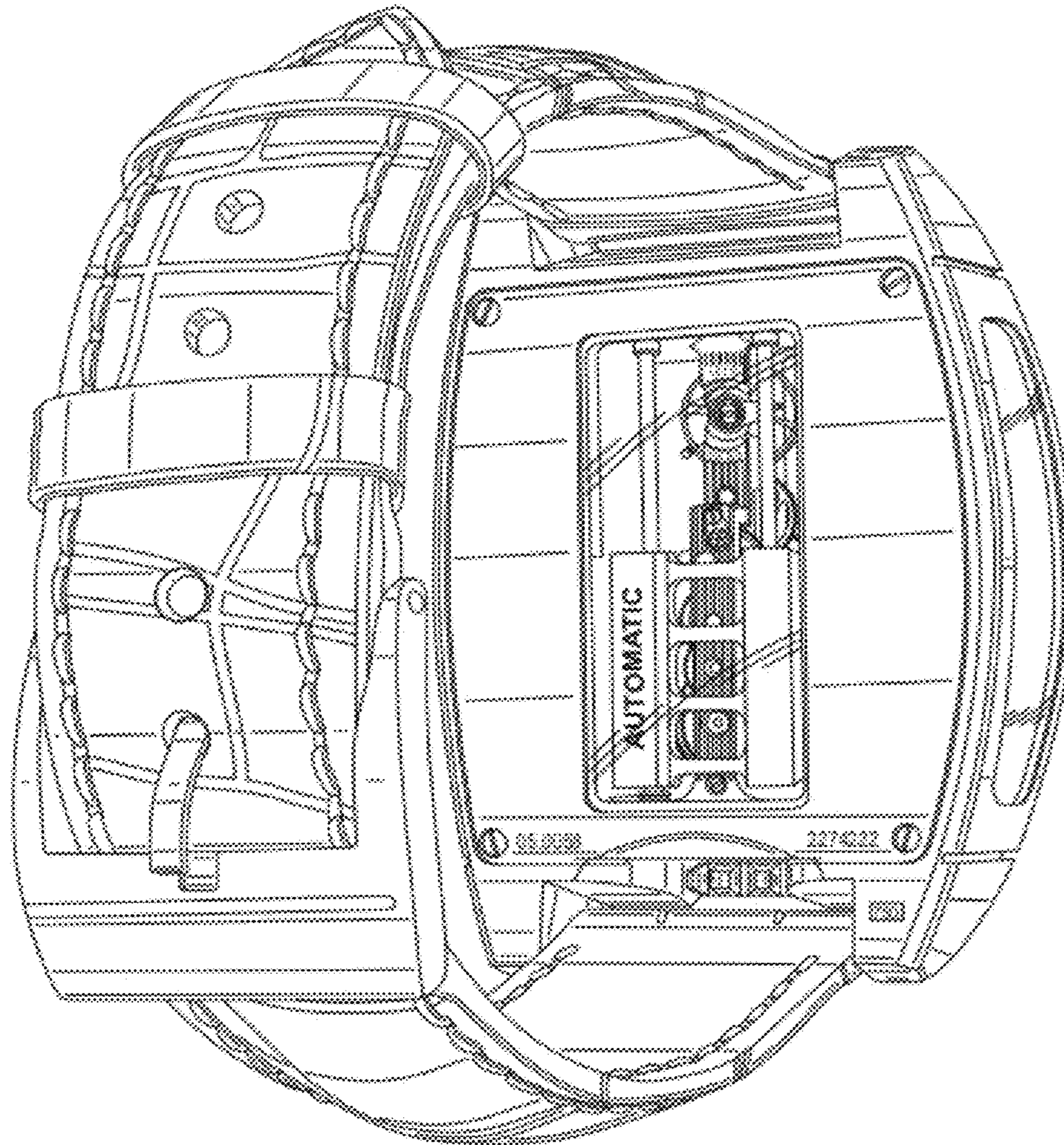


FIG. 8