

US00D661600S

(12) **United States Design Patent**
Hora et al.

(10) **Patent No.:** **US D661,600 S**
(45) **Date of Patent:** **** Jun. 12, 2012**

(54) **WIPES CANISTER**
(75) Inventors: **Rebecca Lynn Hora**, San Francisco, CA (US); **Michelle Elise Claudnic**, Livermore, CA (US); **Russell E. Bell**, Pleasanton, CA (US); **Alan John Morris**, Blackburn (AU); **Kon Euan Gerard Wong**, Glen Waverly (AU); **Chia-Hen Chiang**, Collingwood (AU)

(73) Assignee: **The Clorox Company**, Oakland, CA (US)

(**) Term: **14 Years**

(21) Appl. No.: **29/400,125**

(22) Filed: **Aug. 23, 2011**

Related U.S. Application Data

(63) Continuation-in-part of application No. 12/163,022, filed on Jun. 27, 2008, now abandoned.

(51) **LOC (9) Cl.** **09-01**

(52) **U.S. Cl.** **D9/734**

(58) **Field of Classification Search** D9/500, D9/501, 503, 504, 529, 531, 537, 730, 734, D9/763, 772, 779, 780; 206/210; 312/34.4; 426/35; 220/258.3; 604/289; D6/512, 515, D6/518, 522, 523

See application file for complete search history.

(56) **References Cited**

U.S. PATENT DOCUMENTS

3,843,071 A 10/1974 Graham
3,994,417 A 11/1976 Boedecker
4,185,754 A 1/1980 Julius
4,191,307 A 3/1980 LeCaire et al.
5,207,367 A 5/1993 Dunn et al.
5,560,514 A 10/1996 Frazier

5,699,927 A 12/1997 Lane
5,704,471 A 1/1998 Yamada
6,158,614 A 12/2000 Haines et al.
6,412,656 B1 7/2002 Placik
6,431,405 B2 8/2002 Irwin
6,550,634 B1 4/2003 Alegre De Miquel et al.
6,554,156 B1 4/2003 Chong
6,578,731 B1 6/2003 Lewis et al.
6,585,130 B2 7/2003 Turbett et al.
6,607,514 B2 * 8/2003 Reese 604/289
6,679,034 B2 1/2004 Kohl et al.
6,722,106 B2 4/2004 Bartel et al.
6,729,498 B2 5/2004 Yelton et al.
6,840,401 B2 1/2005 Amundson
6,860,084 B2 3/2005 Knoezer et al.
D504,622 S 5/2005 Takahashi
7,032,362 B2 4/2006 Dierl et al.
D528,919 S * 9/2006 Kipperman et al. D9/529
2003/0015544 A1 1/2003 Turbett et al.
2004/0161174 A1 8/2004 Bartel et al.
2004/0234174 A1 11/2004 Caudle
2005/0011906 A1 1/2005 Buck et al.
2006/0140514 A1 6/2006 Dierl et al.

(Continued)

FOREIGN PATENT DOCUMENTS

WO WO2005091981 10/2005

(Continued)

Primary Examiner — Thomas Johannes

(74) *Attorney, Agent, or Firm* — Thomas C. Feix

(57) **CLAIM**

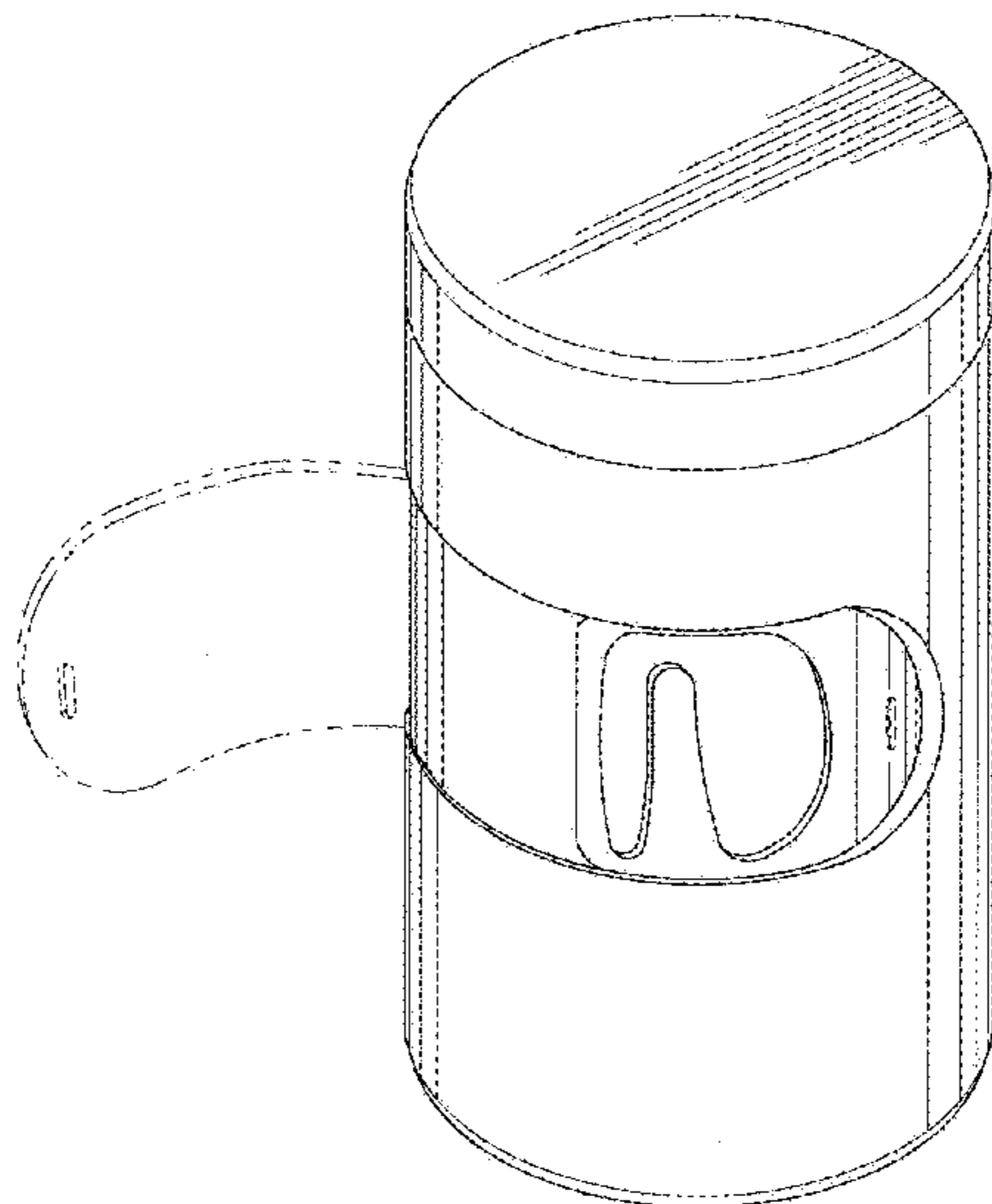
The ornamental design for a wipes canister, as shown and described.

DESCRIPTION

The sole FIGURE is a perspective view of a wipes canister showing our new design.

The broken (dashed) lines in the sole figure shows unclaimed subject matter only and form no part of the claimed design.

1 Claim, 1 Drawing Sheet



US D661,600 S

Page 2

U.S. PATENT DOCUMENTS

2006/0151515 A1 7/2006 Hood et al.
2006/0180596 A1 8/2006 Young et al.
2008/0061073 A1 3/2008 Laroche
2009/0152290 A1* 6/2009 Wang et al. 221/63
2009/0194553 A1* 8/2009 Hoefing et al. 221/45

2009/0194554 A1* 8/2009 Bliss et al. 221/46
2009/0194555 A1* 8/2009 Hoefing et al. 221/63

FOREIGN PATENT DOCUMENTS

WO WO2005115874 12/2005

* cited by examiner

