



US00D661598S

(12) **United States Design Patent**
Battisti

(10) **Patent No.:** **US D661,598 S**
(45) **Date of Patent:** **** Jun. 12, 2012**

(54) **TUBE APPLICATOR**

(75) Inventor: **Peter D. Battisti**, Alpharetta, GA (US)

(73) Assignee: **Chemence Medical Inc.**, Alpharetta, GA (US)

(**) Term: **14 Years**

(21) Appl. No.: **29/387,598**

(22) Filed: **Mar. 15, 2011**

(51) **LOC (9) Cl.** **09-01**

(52) **U.S. Cl.** **D9/724**

(58) **Field of Classification Search** D9/434-436,
D9/452-454, 723-729; D24/112, 113, 115,
D24/127, 129, 133, 145; D28/7, 88, 89;
221/64, 65, 135, 208, 278, 282; 222/105,
222/394, 402.1, 402.15, 546

See application file for complete search history.

D487,398 S *	3/2004	Bremner et al.	D9/434
D491,469 S *	6/2004	Horie et al.	D9/529
D501,045 S *	1/2005	Sakaria et al.	D24/115
D532,701 S *	11/2006	Spencer	D9/699
D537,351 S *	2/2007	Caserta et al.	D9/522
D547,181 S *	7/2007	Miller et al.	D9/435
D566,547 S *	4/2008	Lacov	D9/435
D626,428 S *	11/2010	Fallat et al.	D9/695
D630,732 S *	1/2011	Lev et al.	D24/129
D637,907 S *	5/2011	Maxa et al.	D9/452
D641,626 S *	7/2011	Kaplan et al.	D9/447

* cited by examiner

Primary Examiner — Stella Reid

Assistant Examiner — Keli L Hill

(74) *Attorney, Agent, or Firm* — Jonathan Rigdon Smith P.C.; Jonathan R. Smith

(57) **CLAIM**

The ornamental design for a tube applicator, as shown and described.

(56) **References Cited**

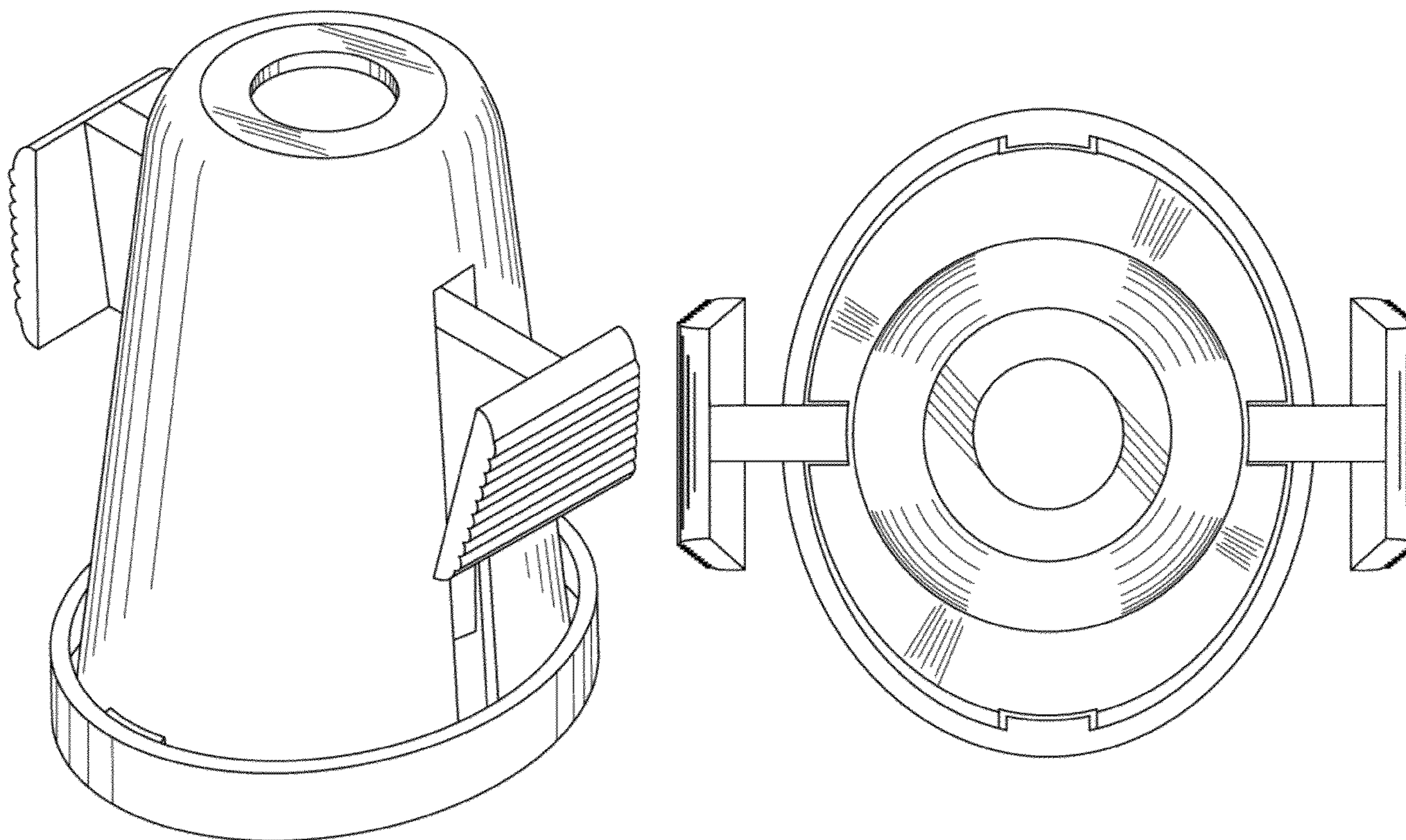
U.S. PATENT DOCUMENTS

D242,327 S *	11/1976	Schneider	D9/447
D292,232 S *	10/1987	Forman et al.	D24/224
D328,244 S *	7/1992	Hamilton et al.	D9/724
D342,136 S *	12/1993	Lafferty et al.	D24/138
D399,314 S *	10/1998	Wells et al.	D24/112
D412,107 S *	7/1999	Bosshardt	D9/697
D468,164 S *	1/2003	Gerenraich	D7/619.1
D468,165 S *	1/2003	Gerenraich	D7/619.1
D476,232 S *	6/2003	Maus et al.	D9/449

DESCRIPTION

FIG. 1 is an isometric view of the invention.
FIG. 2 is a front view of the invention.
FIG. 3 is a rear view of the invention.
FIG. 4 is a right side view of the invention.
FIG. 5 is a left side view of the invention.
FIG. 6 is a top view of the invention; and,
FIG. 7 is a bottom view of the invention.

1 Claim, 7 Drawing Sheets



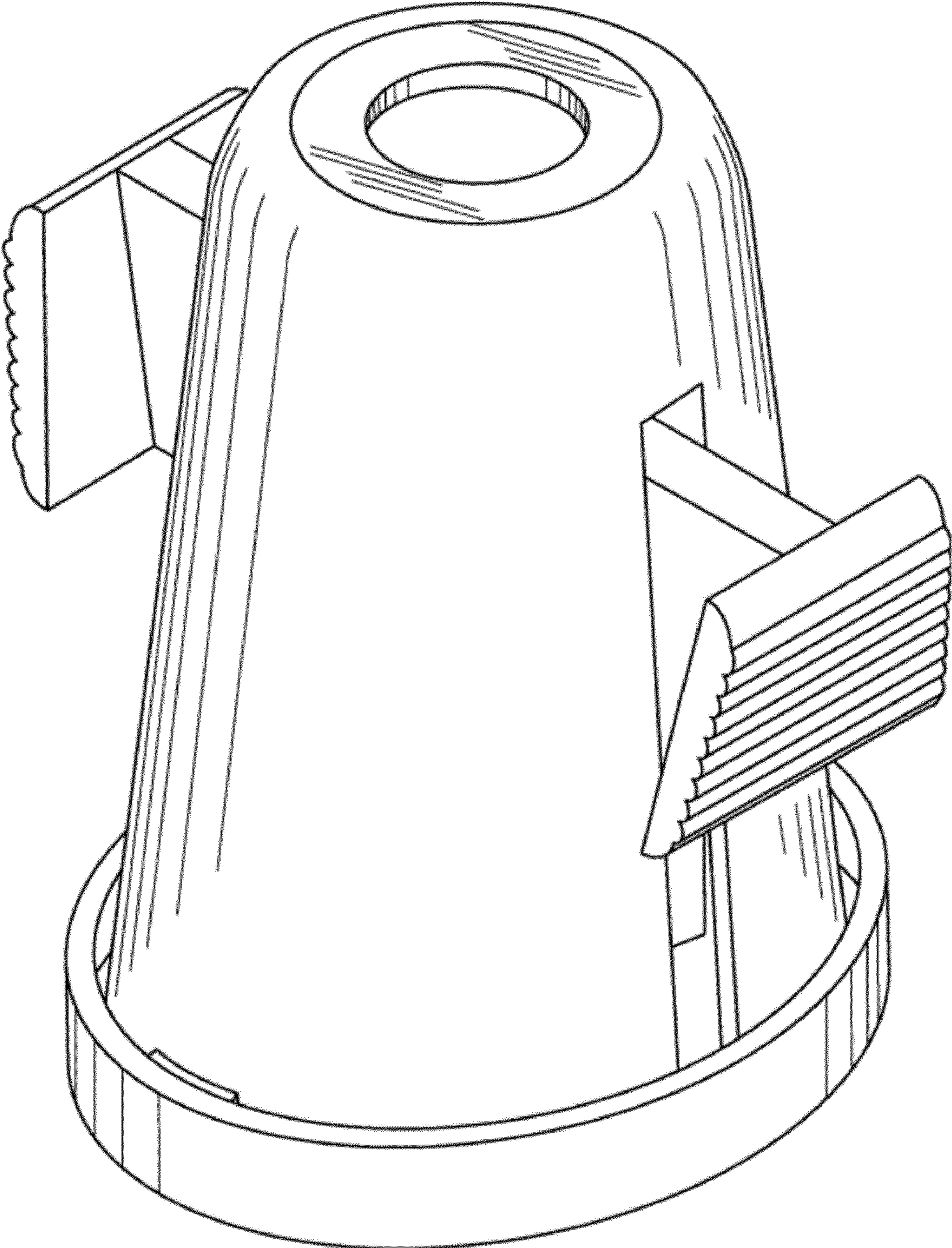


FIG. 1

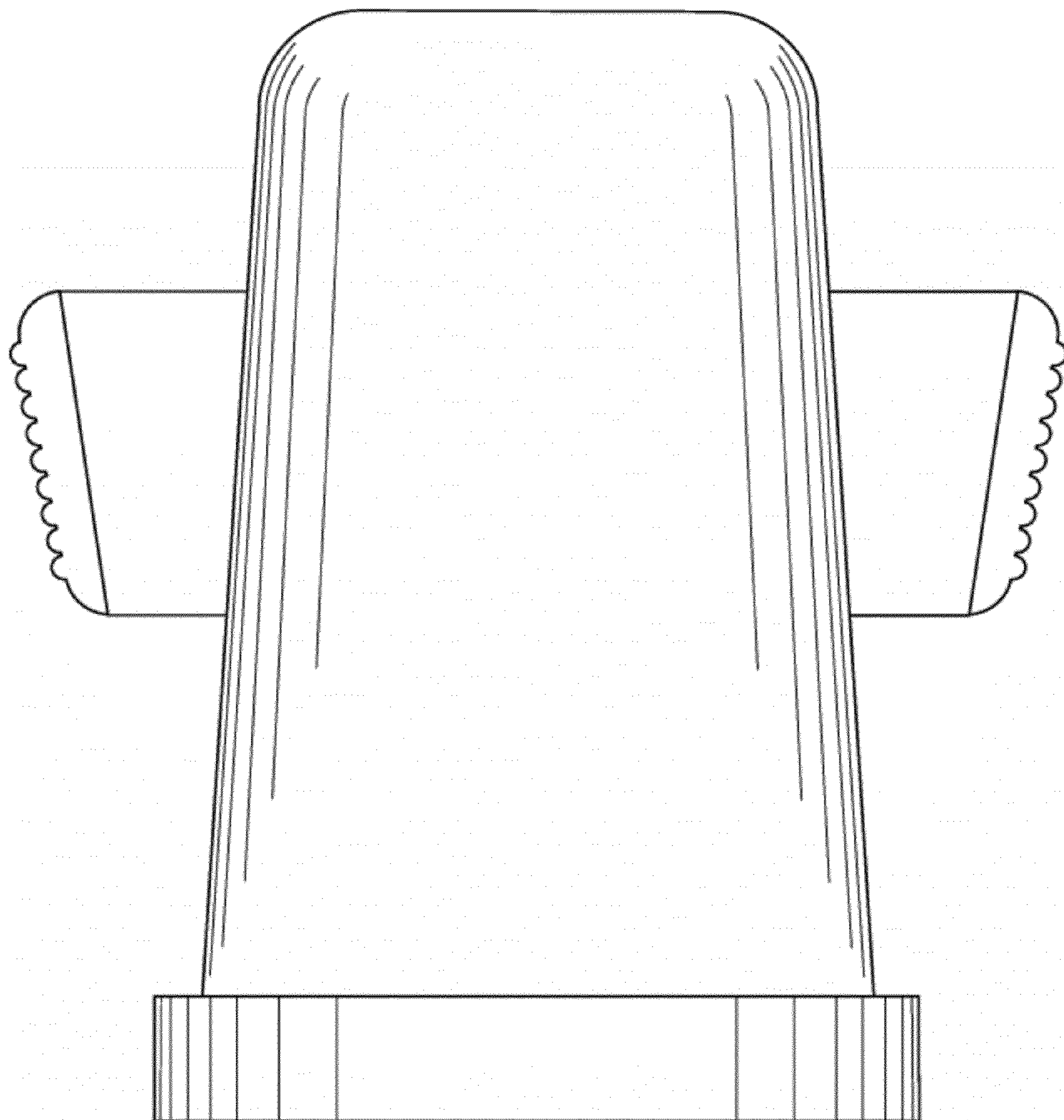


FIG. 2

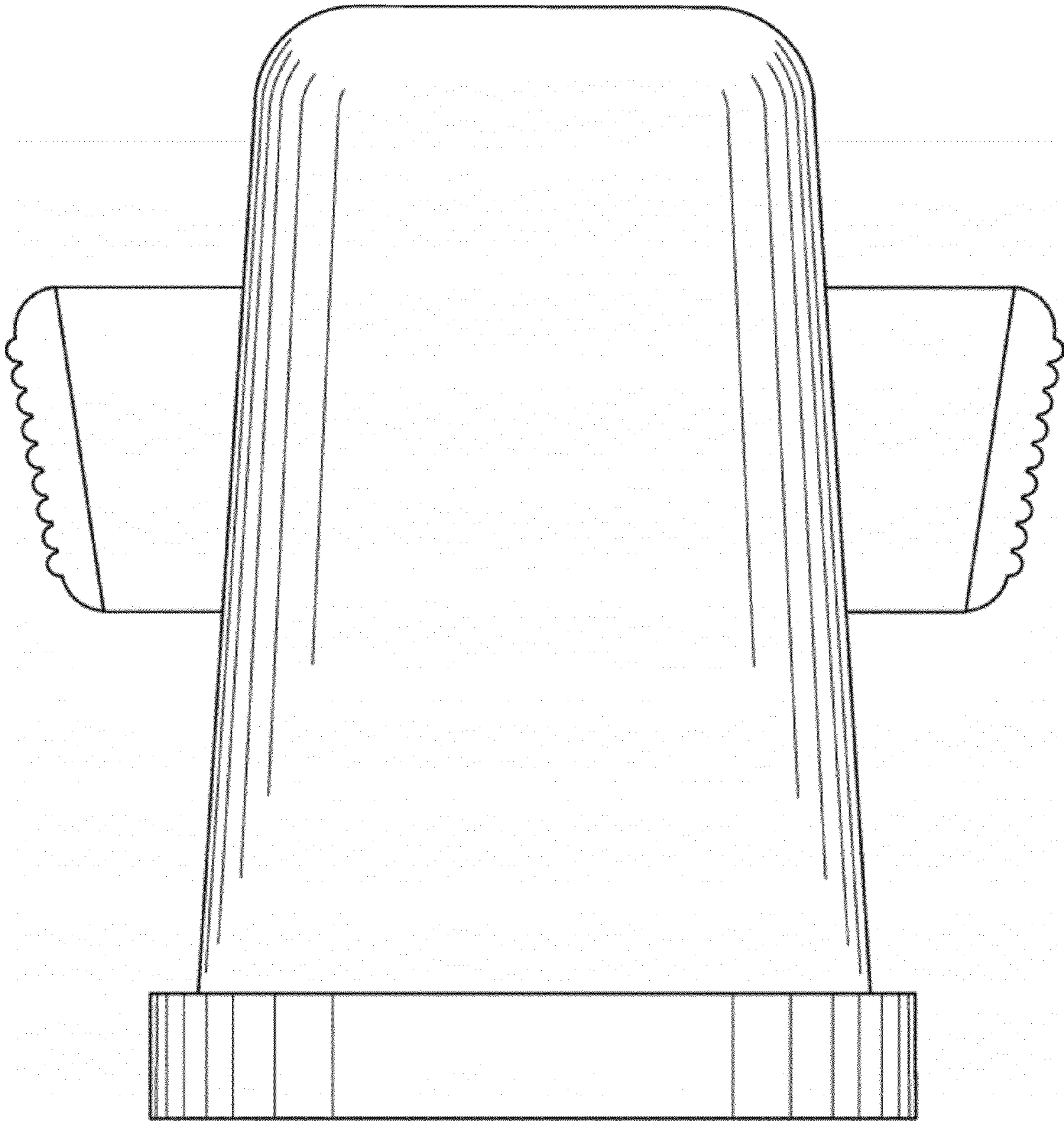


FIG. 3

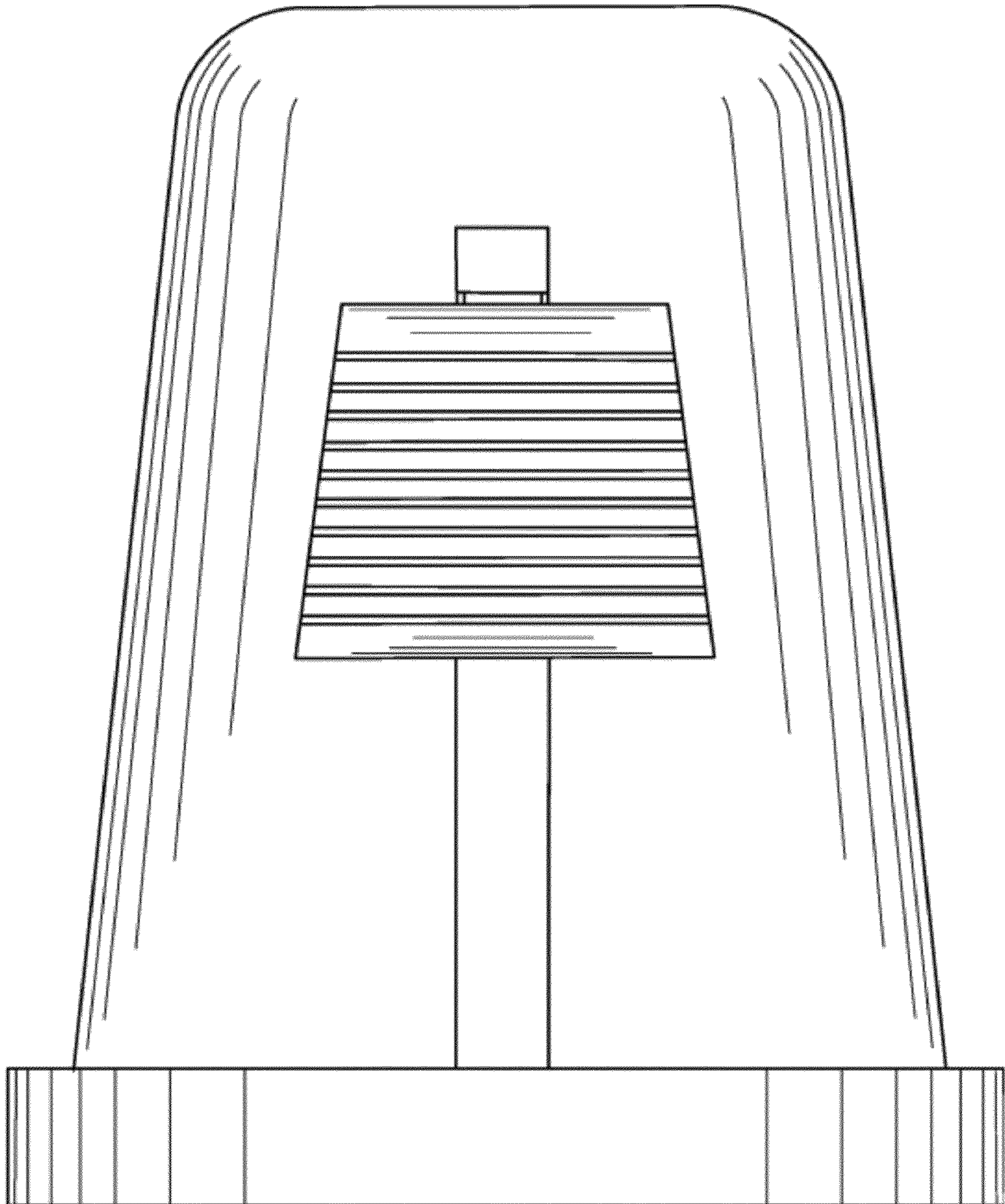


FIG. 4

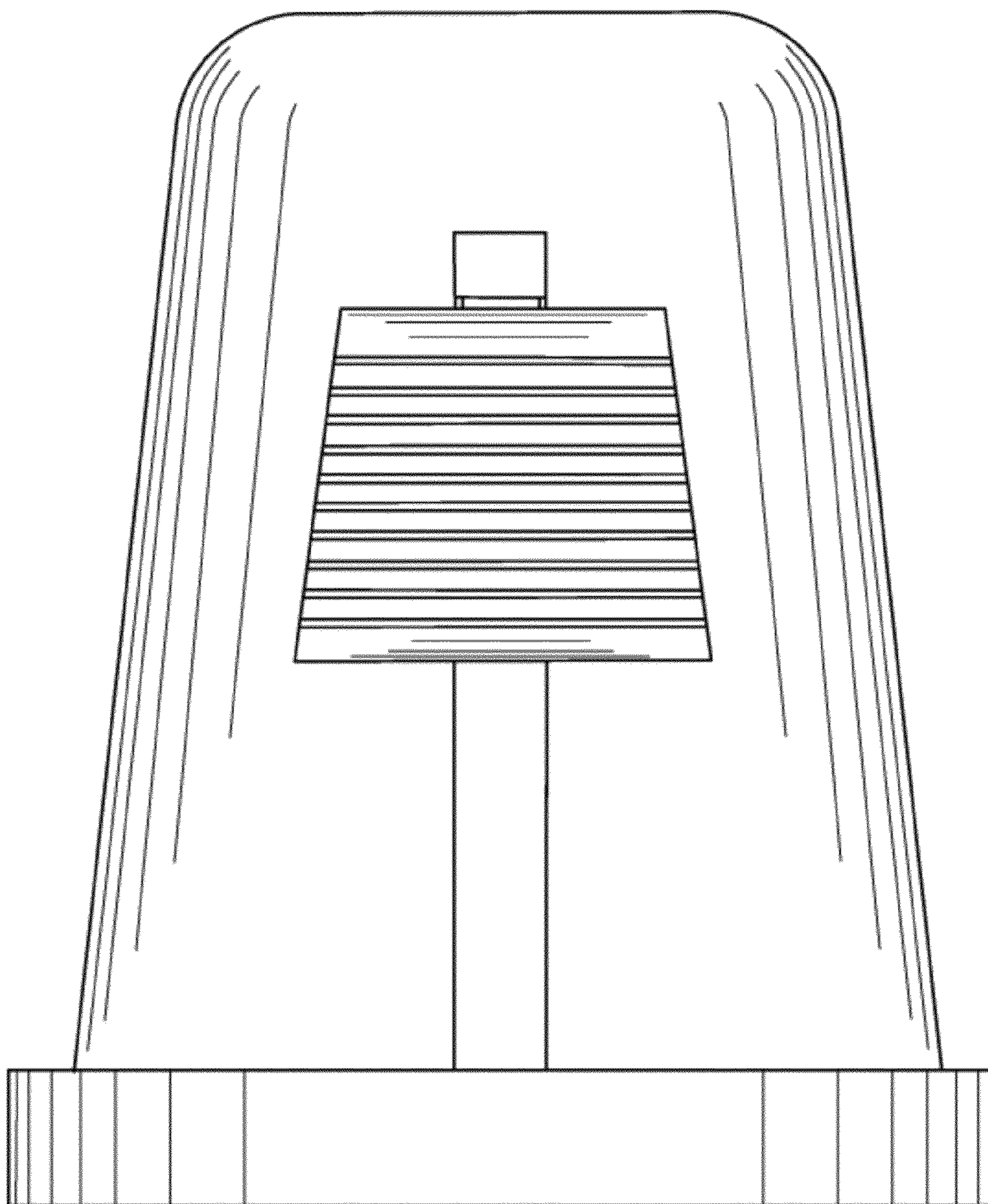


FIG. 5

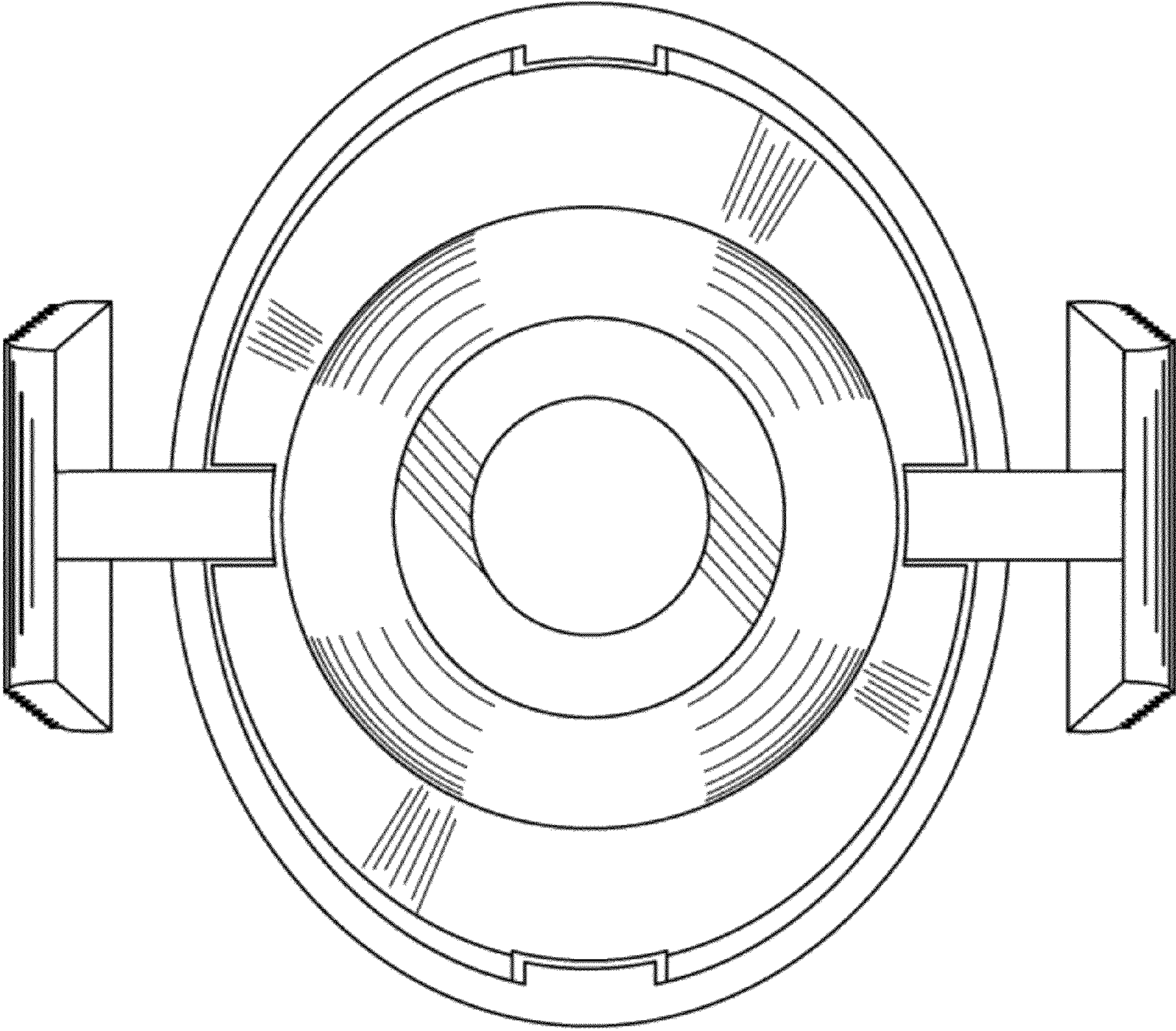


FIG. 6

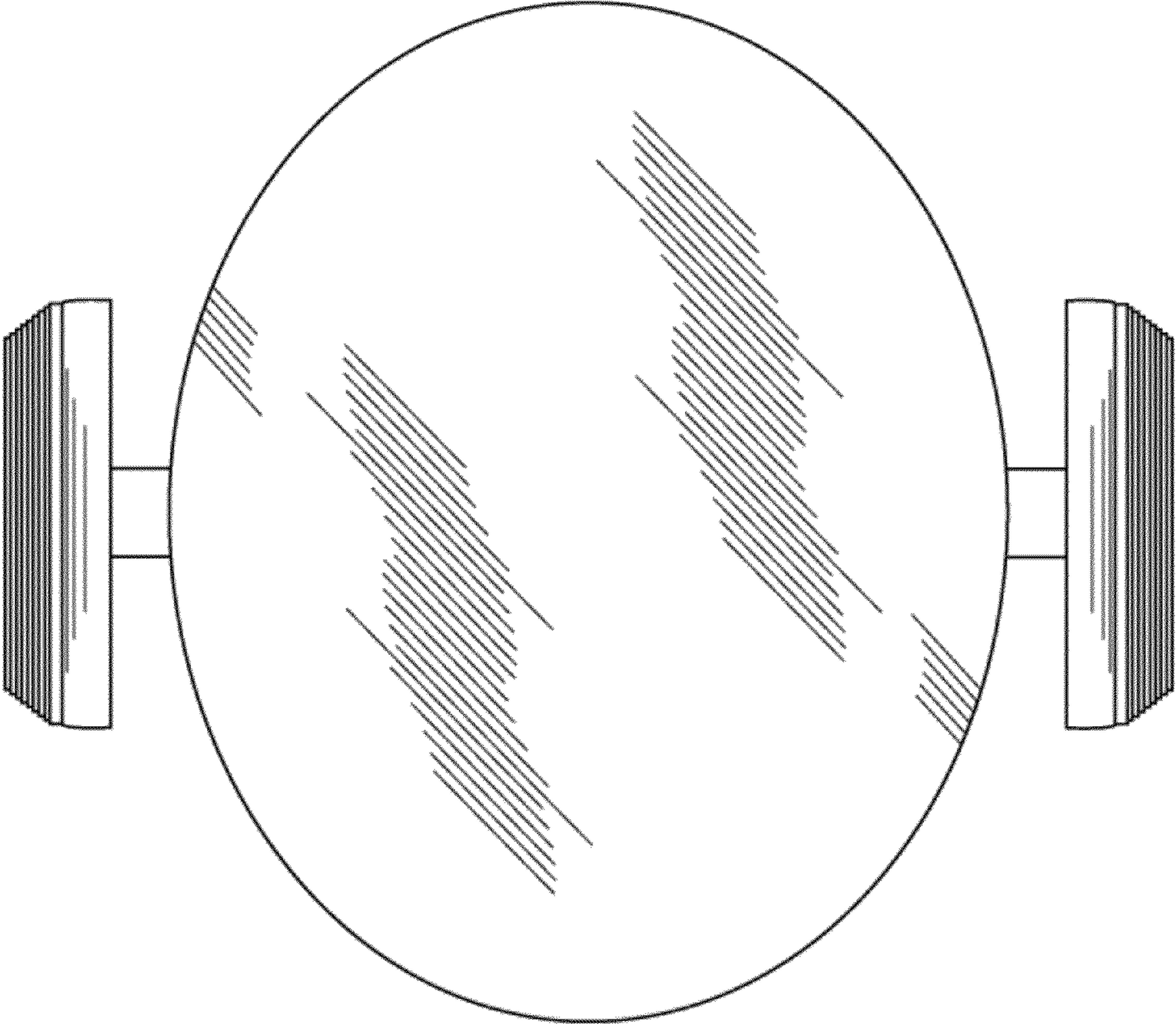


FIG. 7