



US00D661591S

(12) **United States Design Patent**  
**McCay et al.**

(10) **Patent No.:** **US D661,591 S**  
(45) **Date of Patent:** **\*\* Jun. 12, 2012**

(54) **CONTAINER**

(75) Inventors: **James McCay**, Fairfield, CT (US); **Peter B. Clarke**, Fairfield, CT (US); **Edmund Farmer**, Seymour, CT (US); **Vernon N. Goetz**, Villa Hills, KY (US); **Stacy Sorby**, McDonough, GA (US); **Christian Zmoelnig**, Stockbridge, GA (US)

(73) Assignee: **SD IP Holdings Company**, Cincinnati, OH (US)

(\*\*) Term: **14 Years**

(21) Appl. No.: **29/361,005**

(22) Filed: **May 4, 2010**

(51) **LOC (9) Cl.** ..... **09-01**

(52) **U.S. Cl.** ..... **D9/523; D9/516; D9/528; D9/543; D9/564; D9/571**

(58) **Field of Classification Search** ..... D9/516, D9/523, 528, 530, 531, 541, 543, 559, 560, D9/564, 565, 569-571, 575; 215/381-385; 220/660, 662, 669

See application file for complete search history.

(56) **References Cited**

**U.S. PATENT DOCUMENTS**

D204,325 S \* 4/1966 Myers et al. .... D9/529  
D403,591 S \* 1/1999 Nijs et al. .... D9/531

D406,243 S \* 3/1999 Ricci ..... D9/544  
D453,685 S \* 2/2002 Lane et al. .... D9/552  
D538,667 S \* 3/2007 Hague et al. .... D9/528  
D612,734 S \* 3/2010 Sarsfield-Thomas et al. . D9/516  
D632,966 S \* 2/2011 Pedmo et al. .... D9/541

\* cited by examiner

*Primary Examiner* — Stella Reid

*Assistant Examiner* — Keli L Hill

(74) *Attorney, Agent, or Firm* — McDermott Will & Emery LLP

(57) **CLAIM**

We claim the ornamental design for a container, as shown and described.

**DESCRIPTION**

FIG. 1 is a perspective view of a container, showing our new design;

FIG. 2 is a left side elevation view thereof;

FIG. 3 is a cross-sectional view thereof, taken along line 3-3 in FIG. 2;

FIG. 4 is a right side elevation view thereof;

FIG. 5 is a front elevation view thereof;

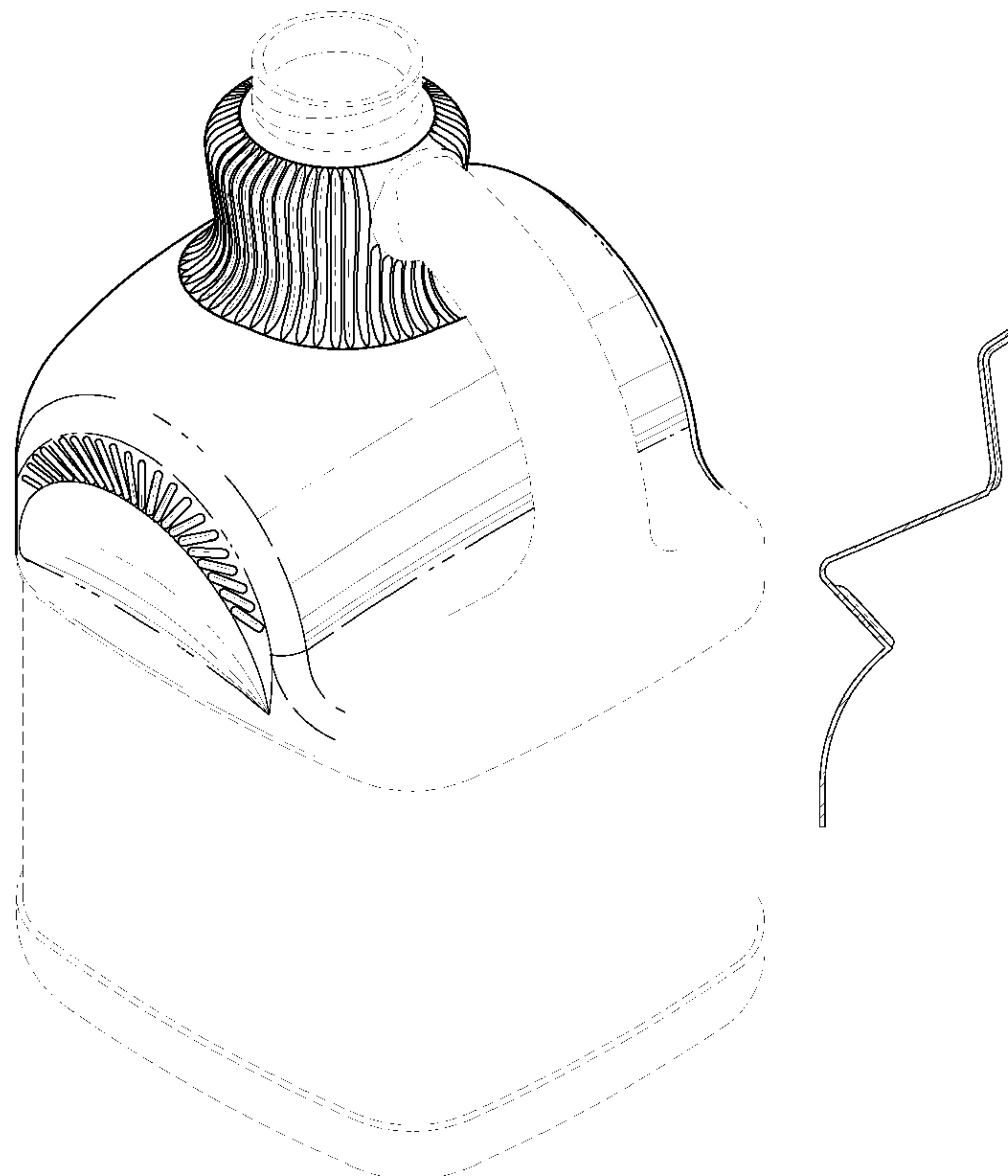
FIG. 6 is a rear elevation view thereof;

FIG. 7 is a top plan view thereof; and,

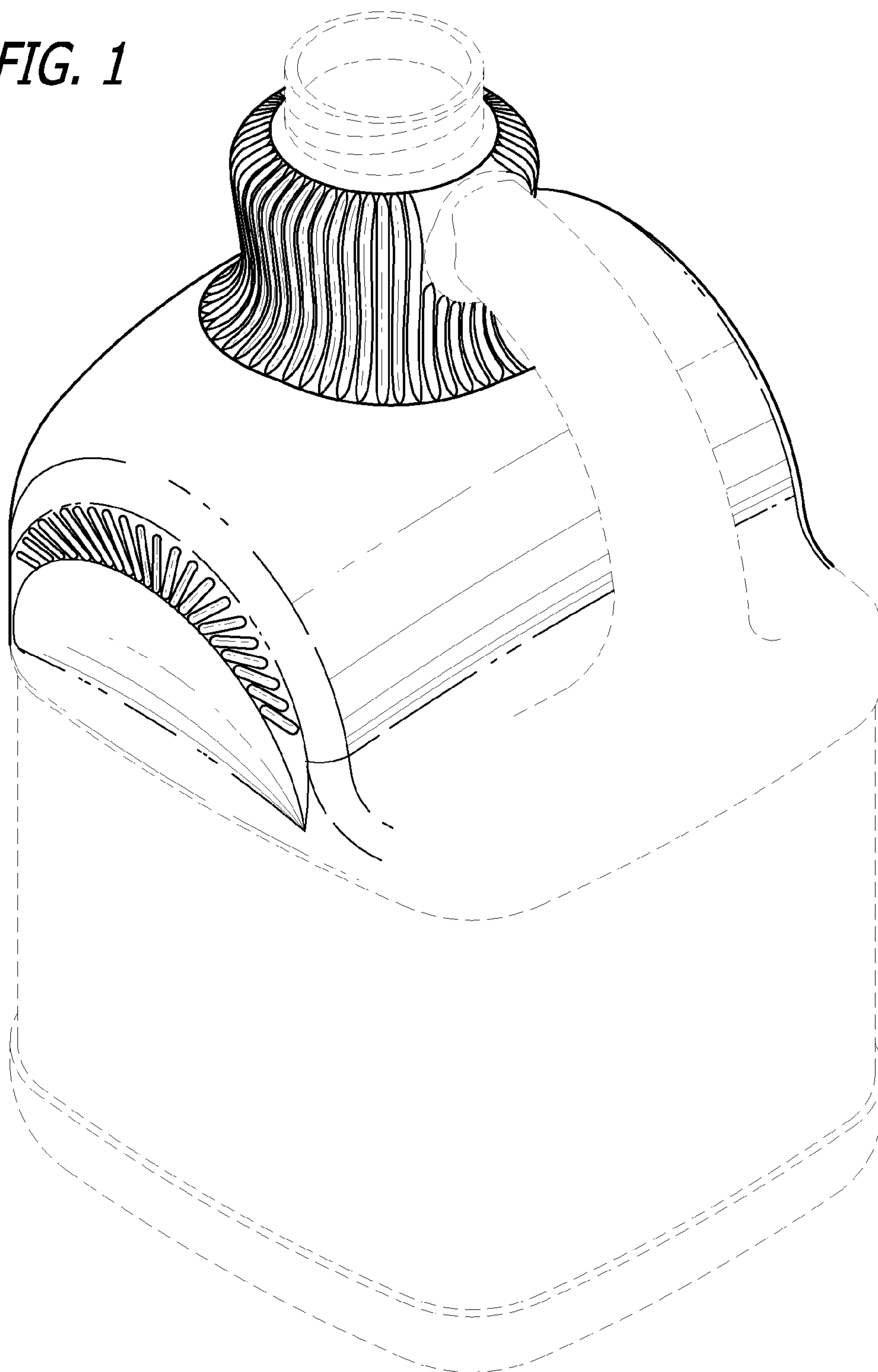
FIG. 8 is a bottom plan view thereof.

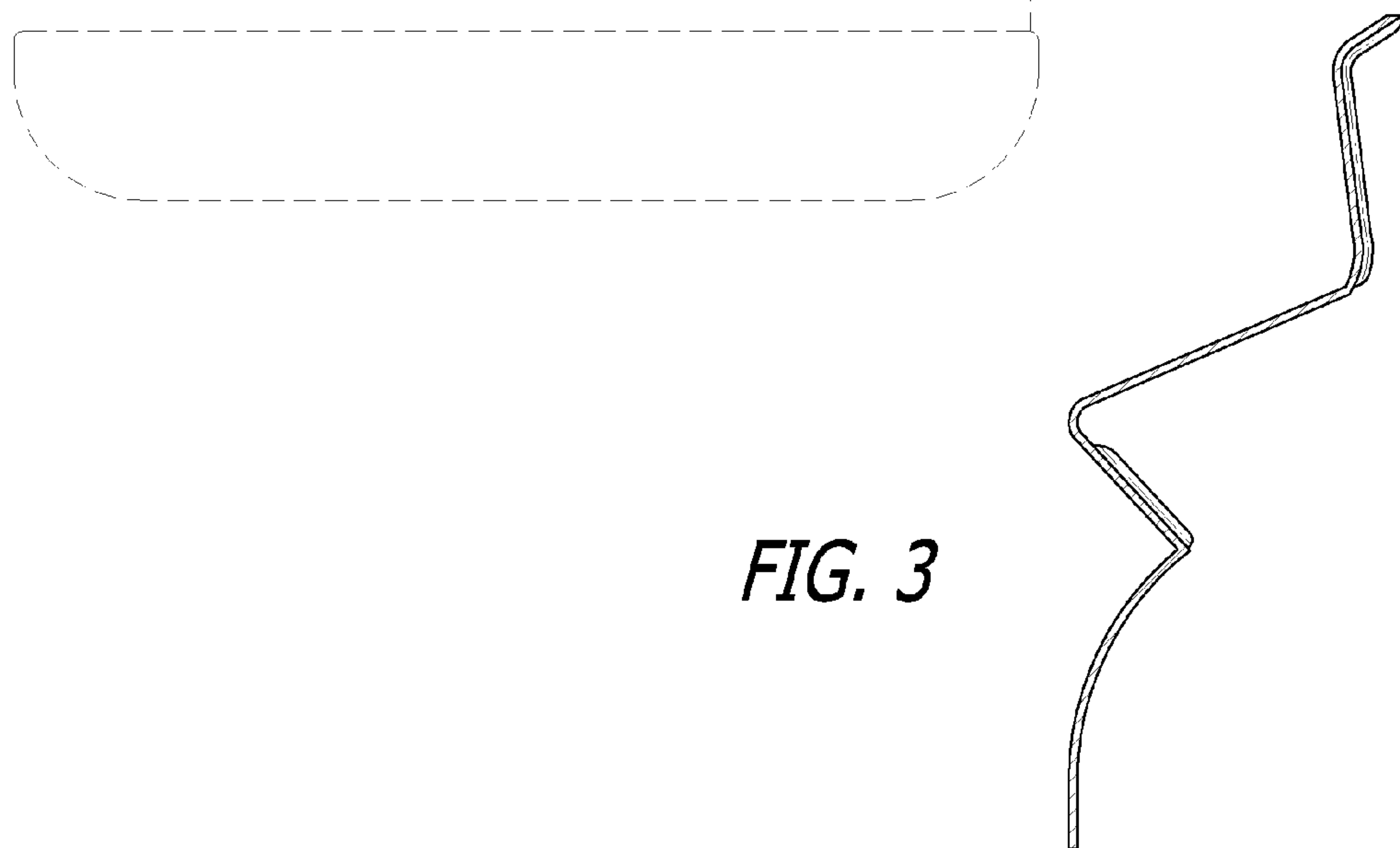
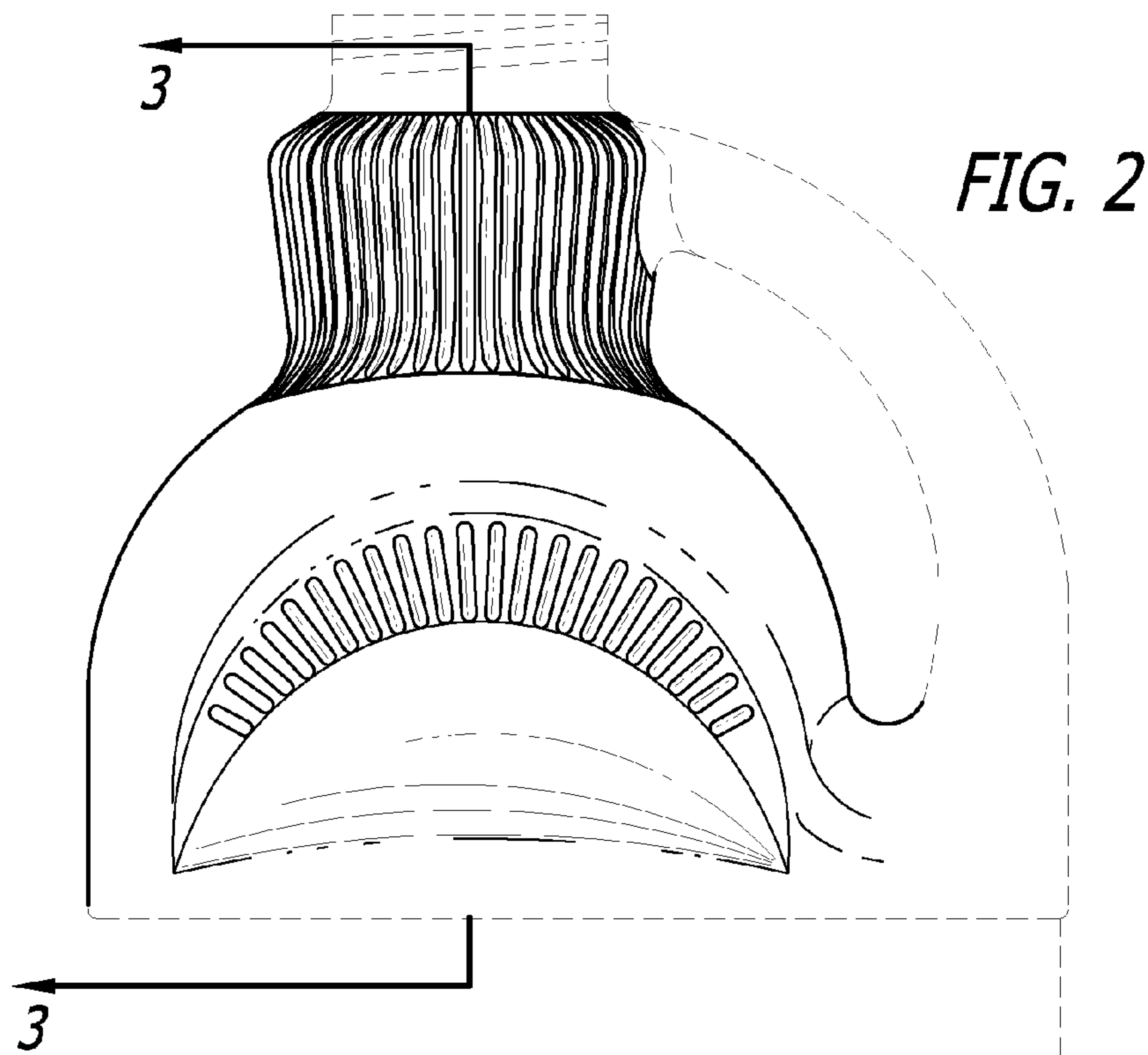
Features shown in broken lines form no part of the claimed design.

**1 Claim, 6 Drawing Sheets**

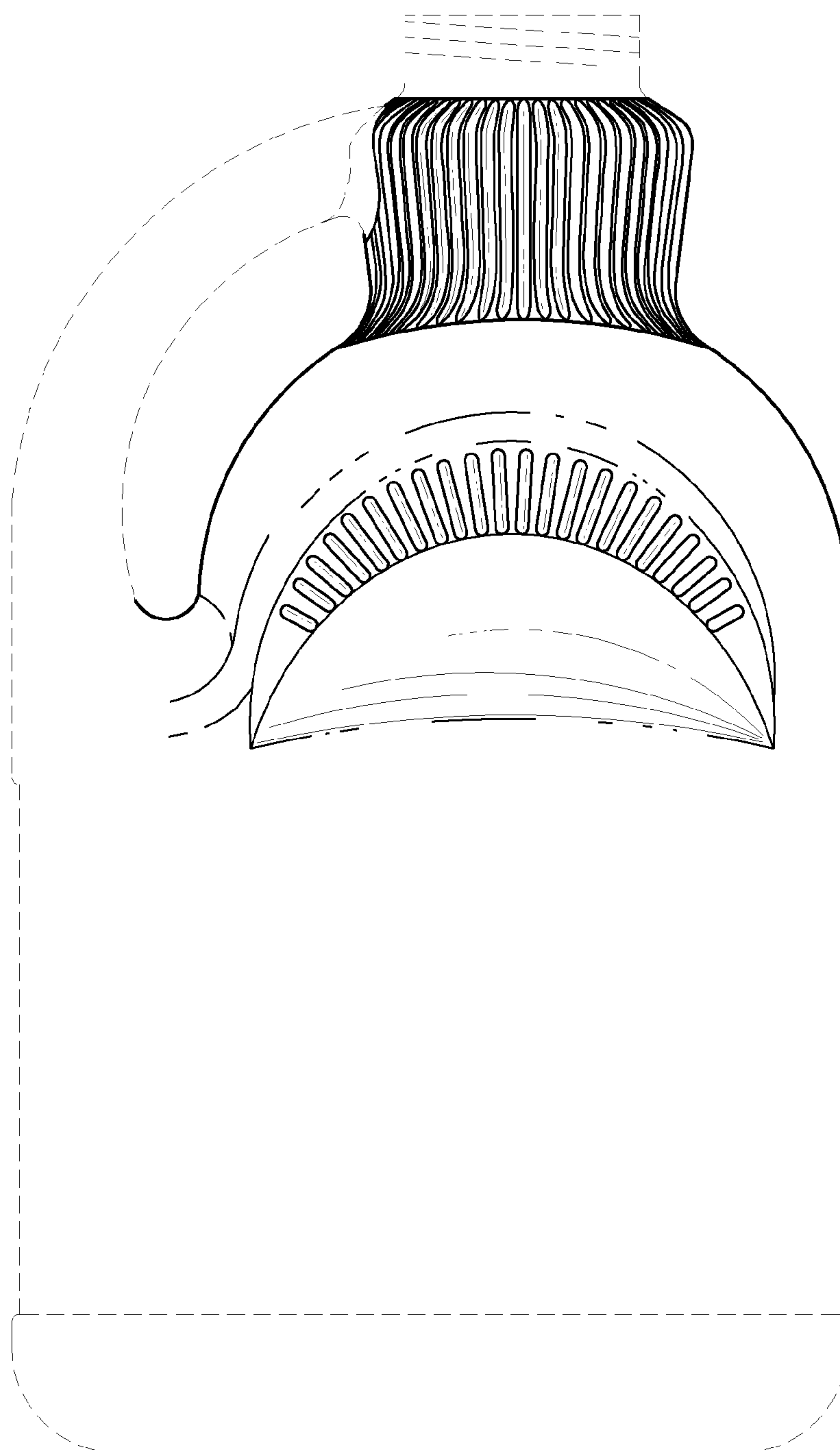


*FIG. 1*

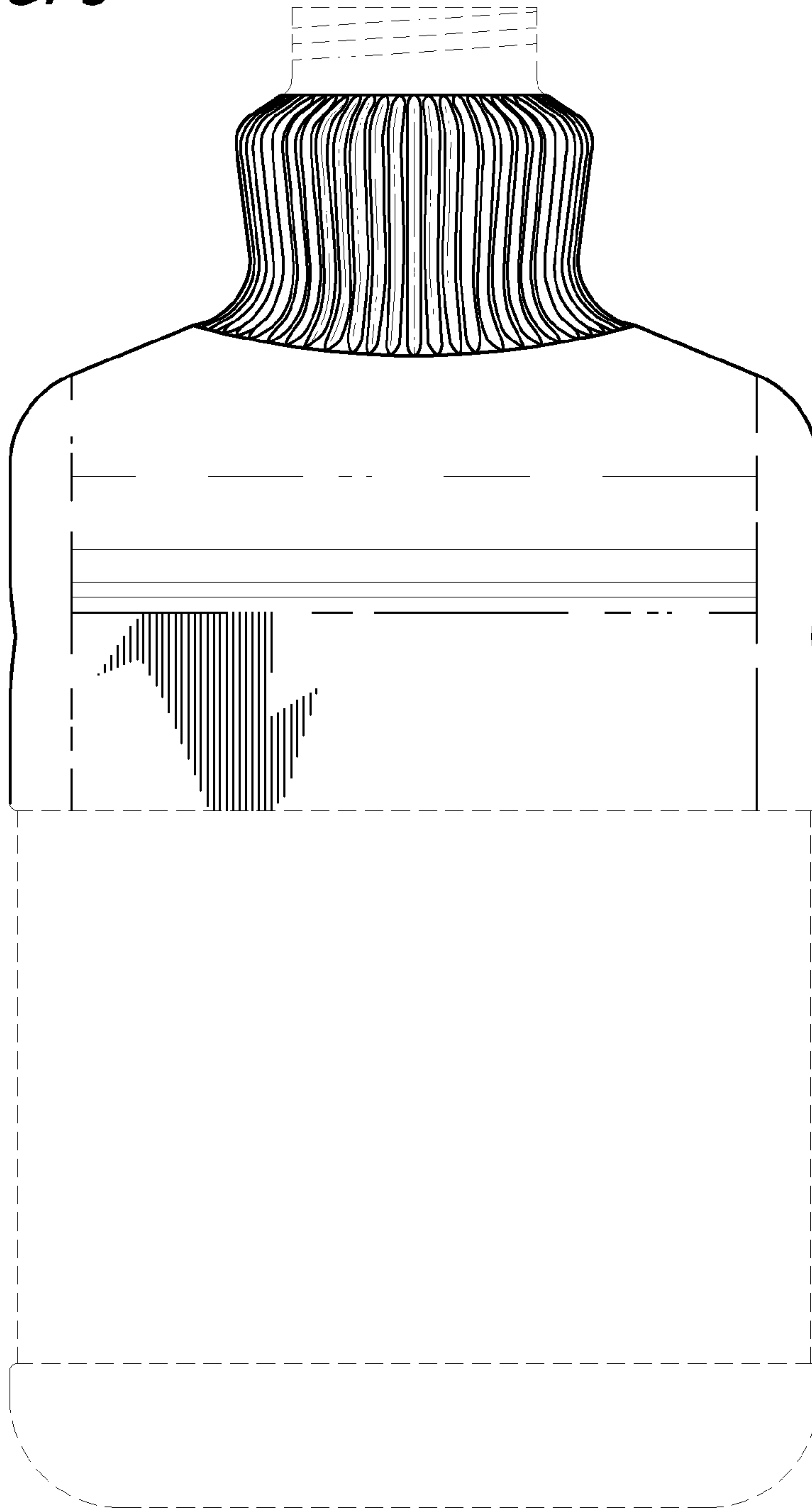




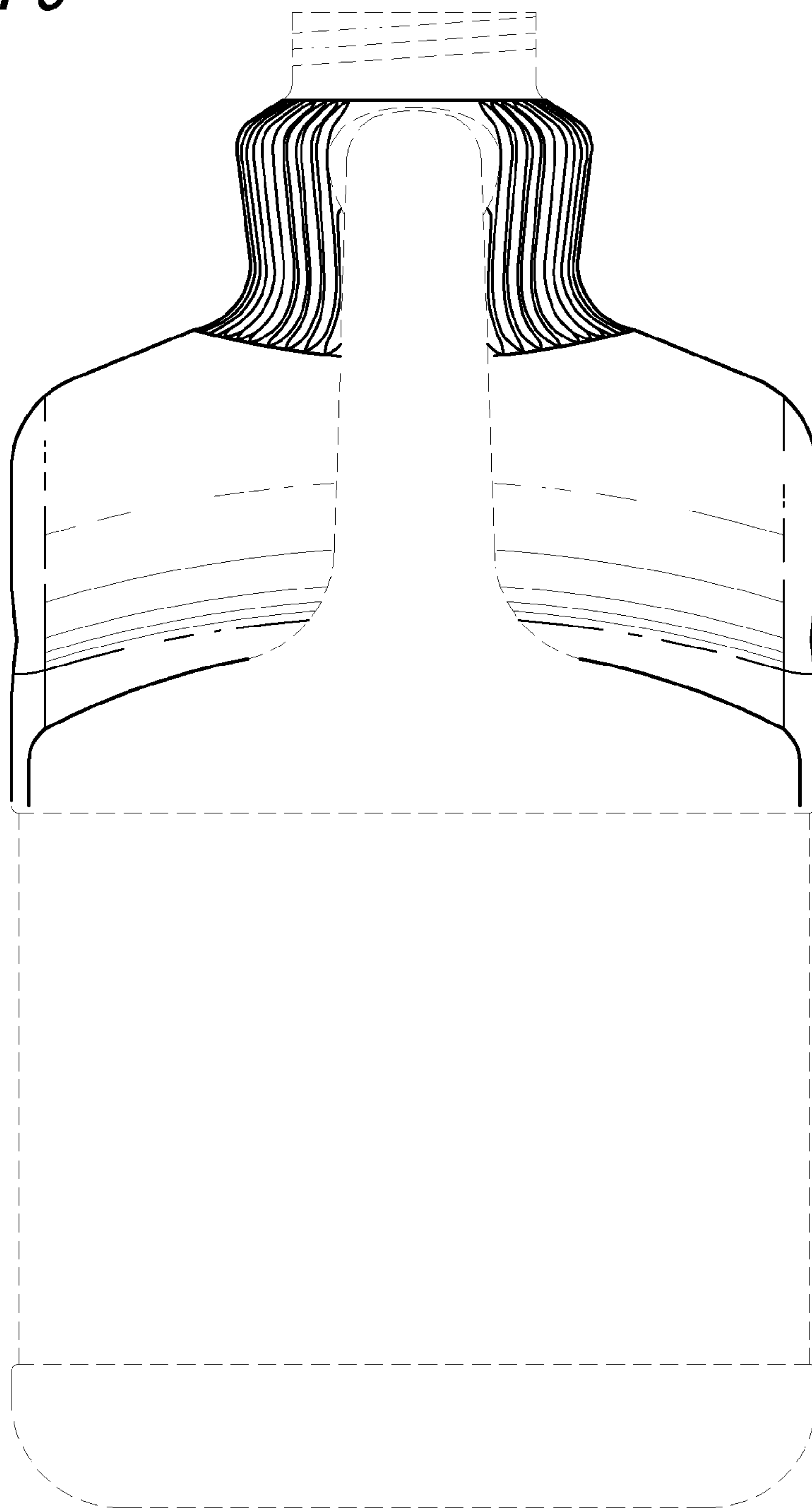
*FIG. 4*



*FIG. 5*

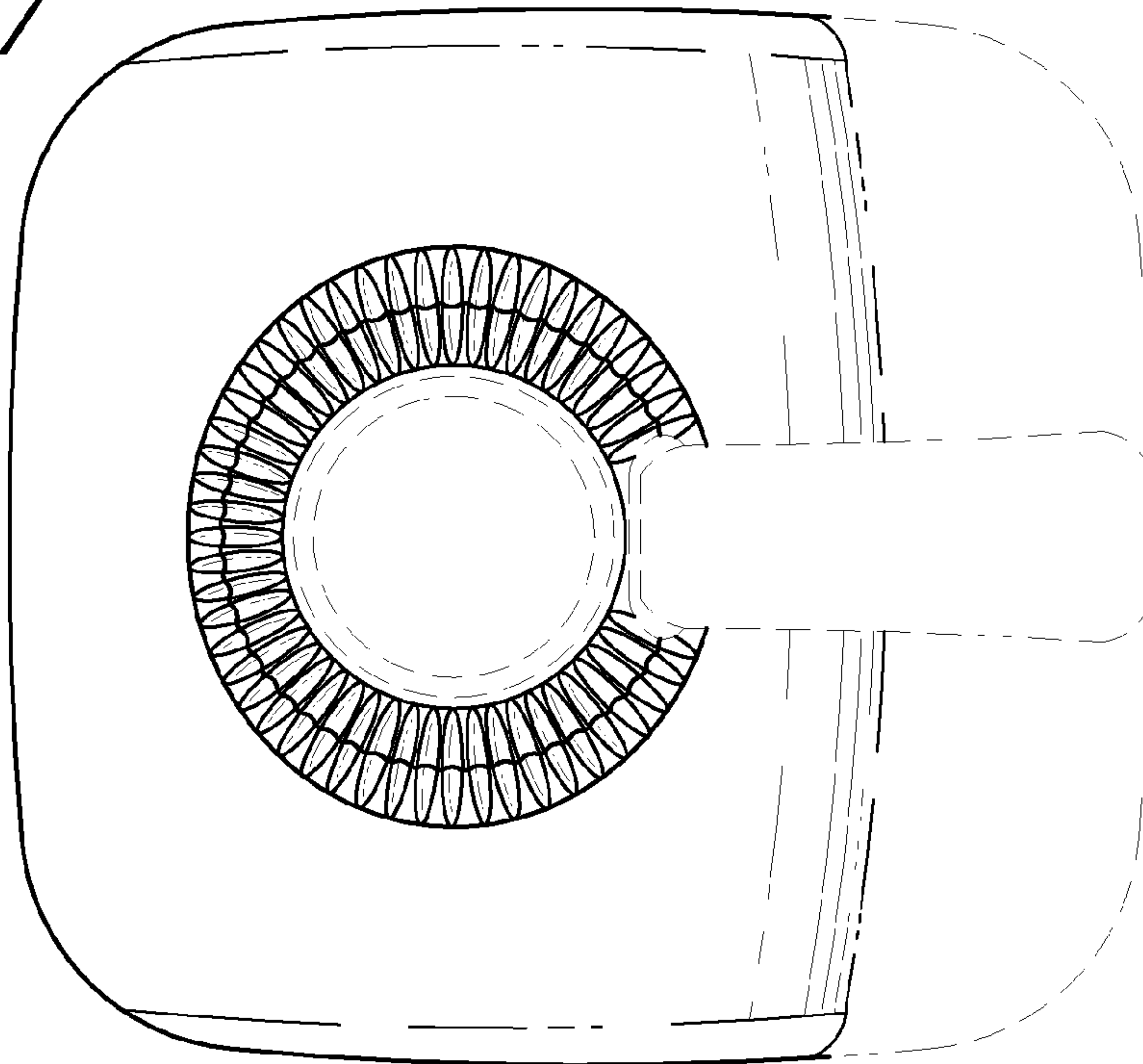


*FIG. 6*





*FIG. 7*



*FIG. 8*

