



US00D661588S

(12) **United States Design Patent**  
**Irani et al.**

(10) **Patent No.:** **US D661,588 S**  
(45) **Date of Patent:** **\*\* Jun. 12, 2012**

(54) **INFANT FORMULA CONTAINER**

FOREIGN PATENT DOCUMENTS

(75) Inventors: **Zena J. Irani**, Bryn Mawr, PA (US);  
**Peter Booth**, Marlborough (GB);  
**Corinne Elstow**, Marlborough (GB)

EP 000380530-0001 8/2005  
EP 000380530-0005 8/2005  
EP 001138754-0001 5/2009  
EP 000640891-0001 6/2009  
EP 000640891-0002 6/2009

(73) Assignee: **Wyeth LLC**, Madison, NJ (US)

\* cited by examiner

(\*\*) Term: **14 Years**

*Primary Examiner* — Ian Simmons  
*Assistant Examiner* — Dana L Sipos

(21) Appl. No.: **29/381,725**

(74) *Attorney, Agent, or Firm* — Joseph M. Mazzarose;  
Jeffrey M. Gold

(22) Filed: **Dec. 22, 2010**

(51) **LOC (9) Cl.** ..... **09-01**

(52) **U.S. Cl.** ..... **D9/503; D9/449; D9/717**

(58) **Field of Classification Search** ..... D9/414,  
D9/425, 428, 429, 454, 500, 502-504, 506,  
D9/516, 529, 549-550, 558, 574-575, 563,  
D9/772, 779-780, 420, 423, 436, 446, 449-450,  
D9/717; D24/224; D7/391, 612, 638; 215/379,  
215/382-384; 220/660, 669, 675

See application file for complete search history.

(57) **CLAIM**

The ornamental design for an infant formula container, as shown and described.

**DESCRIPTION**

FIG. 1 is a perspective view of the infant formula container with the lid closed.

FIG. 2 is a front elevation view of the infant formula container with the lid closed.

FIG. 3 is a left side elevation view of the infant formula container with the lid closed.

FIG. 4 is a right side elevation view of the infant formula container with the lid closed.

FIG. 5 is a rear elevation view of the infant formula container with the lid closed.

FIG. 6 is a top plan view of the infant formula container with the lid closed.

FIG. 7 is a bottom plan view of the infant formula container. The dotted lines indicate that this view does not form part of the claimed design; and,

FIG. 8 is a perspective view of the infant formula container with the lid open.

(56) **References Cited**

U.S. PATENT DOCUMENTS

2,207,520 A \* 7/1940 Rhody ..... 206/229  
2,738,900 A \* 3/1956 Wenger ..... 141/380  
5,647,413 A \* 7/1997 Horrell ..... 141/108  
5,706,974 A \* 1/1998 Murdick et al. .... 220/735  
5,775,531 A \* 7/1998 Lowry ..... 220/212.5  
D405,609 S \* 2/1999 Fu et al. .... D3/302  
D416,438 S \* 11/1999 Molo ..... D7/392  
D483,988 S \* 12/2003 Kipperman et al. .... D7/391  
D510,867 S \* 10/2005 Uzkan ..... D9/504  
7,040,500 B2 \* 5/2006 Kipperman et al. .... 220/574.1  
D562,680 S 2/2008 Vrhovski  
7,464,475 B2 \* 12/2008 Tsao ..... 30/327  
D595,131 S 6/2009 Dibnah et al.  
D602,775 S 10/2009 Shale  
D604,642 S \* 11/2009 Di Robilant et al. .... D9/780  
D640,556 S \* 6/2011 Bragg et al. .... D9/449

**1 Claim, 4 Drawing Sheets**

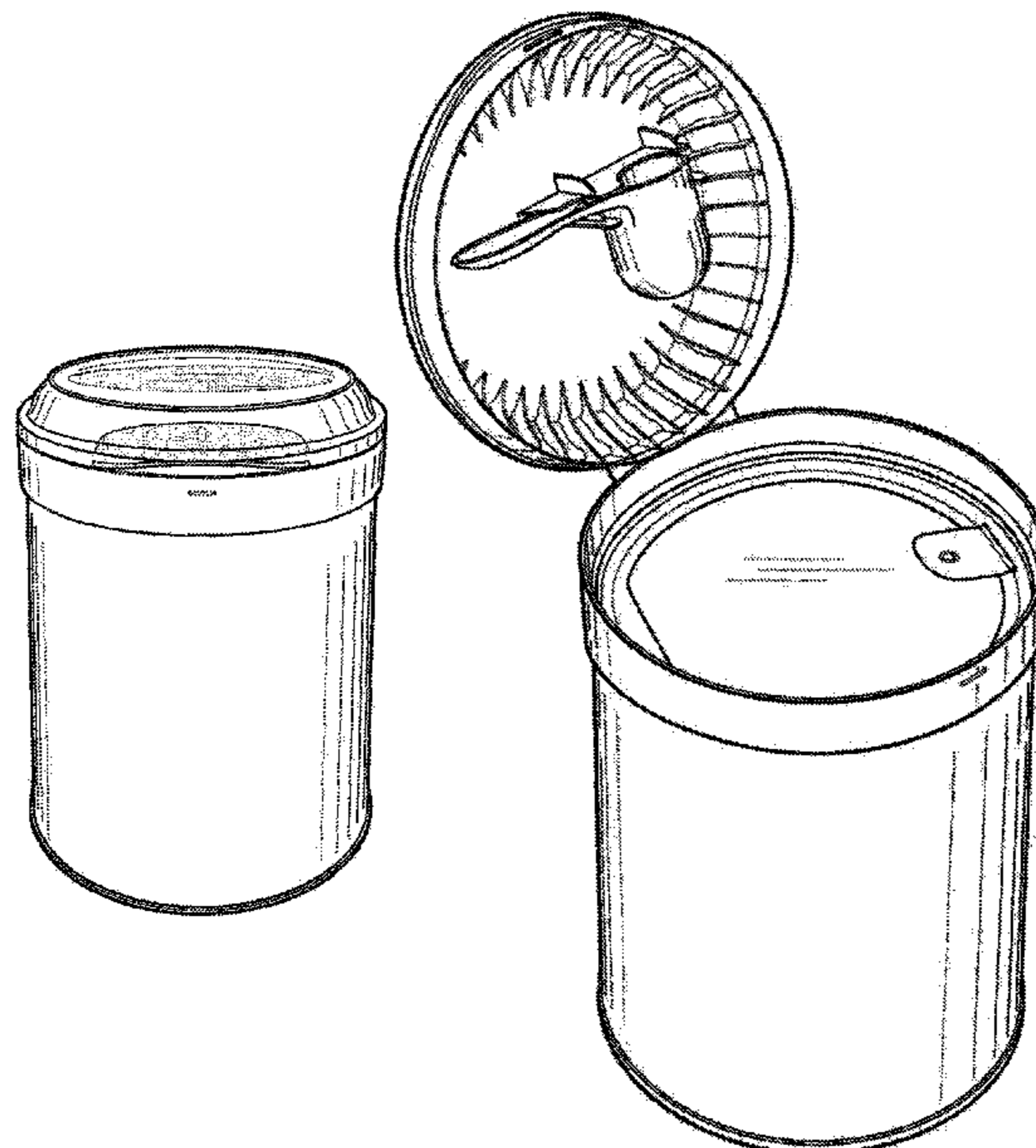


FIG. 2

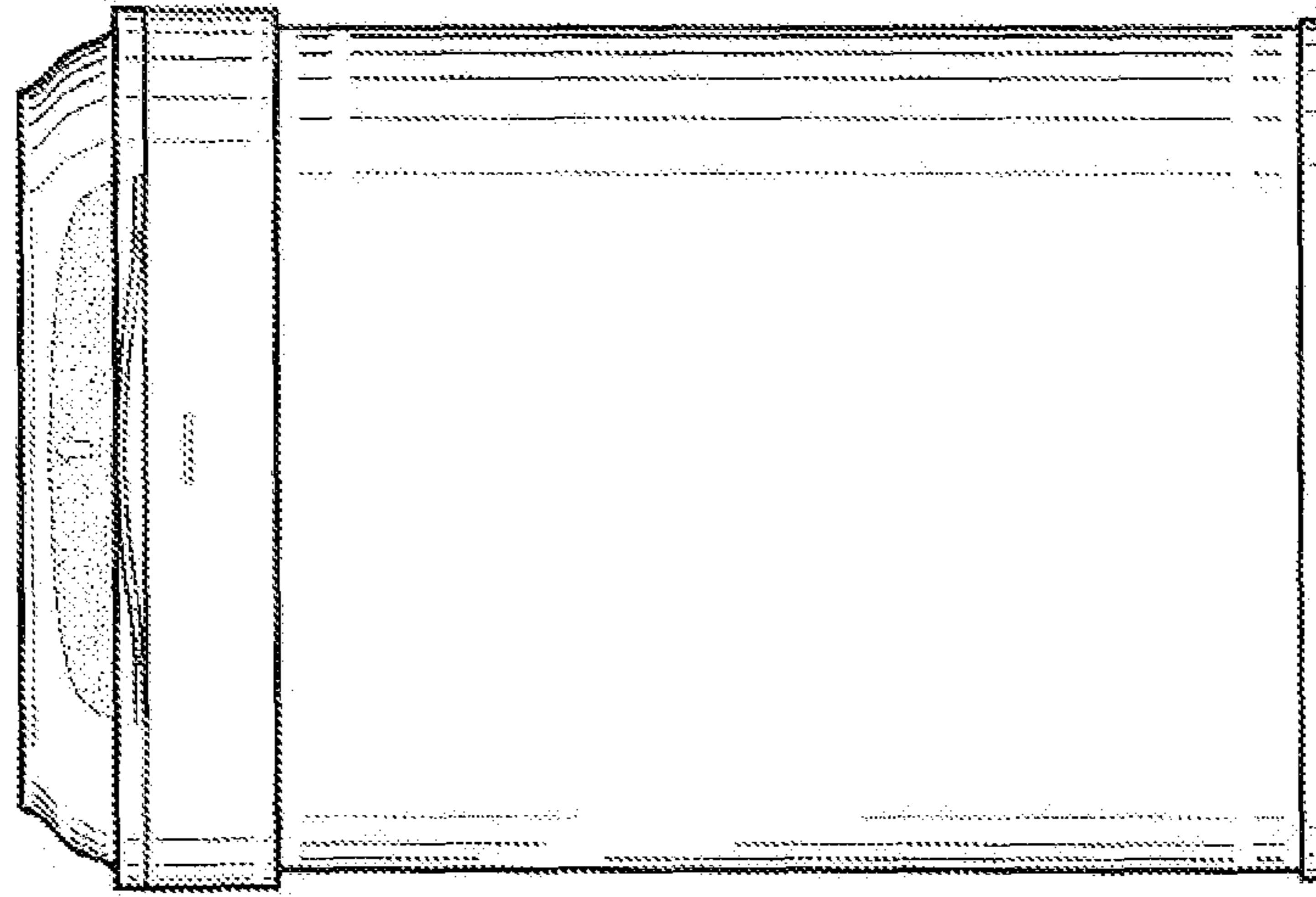


FIG. 1

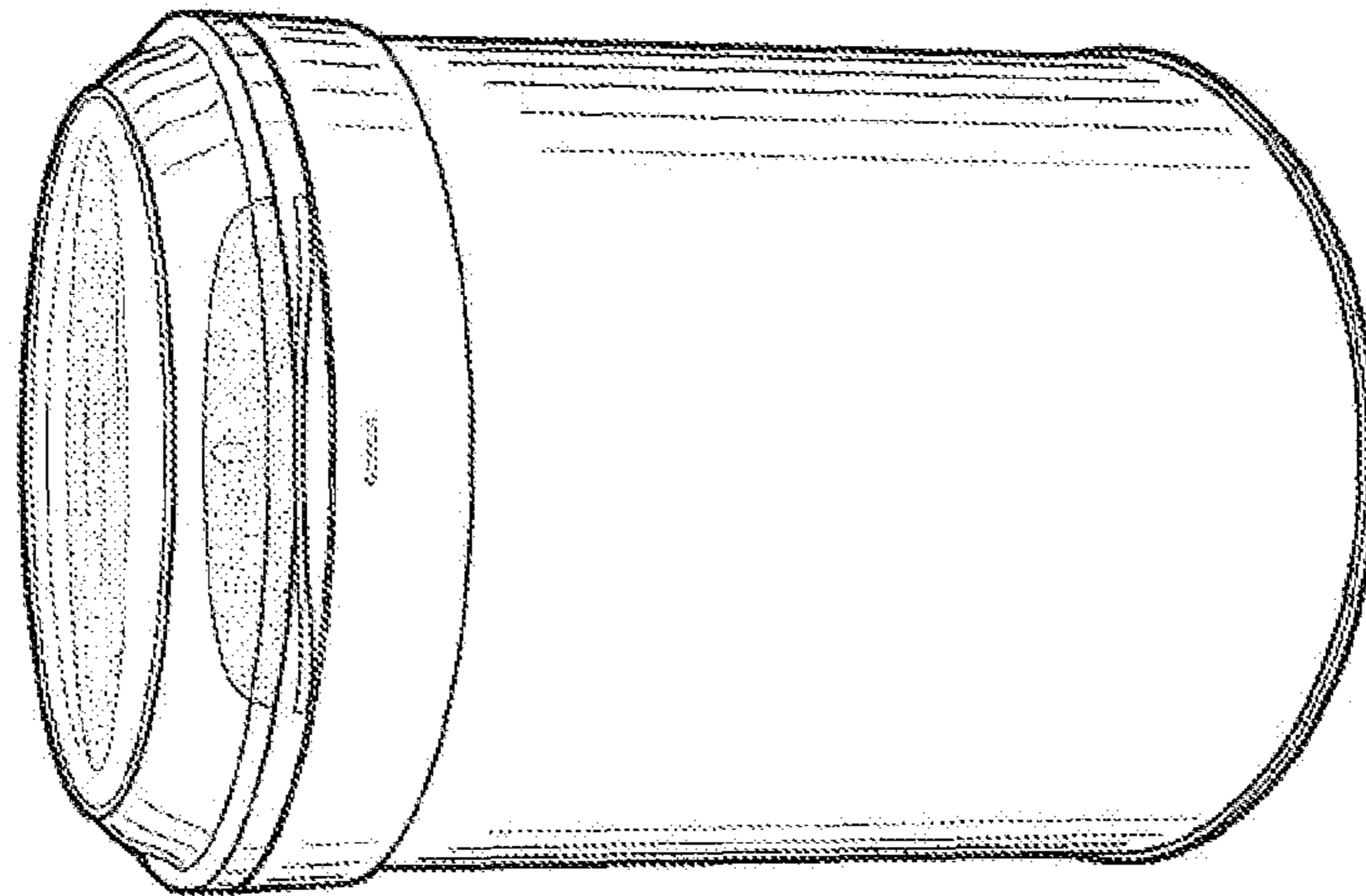


FIG. 4

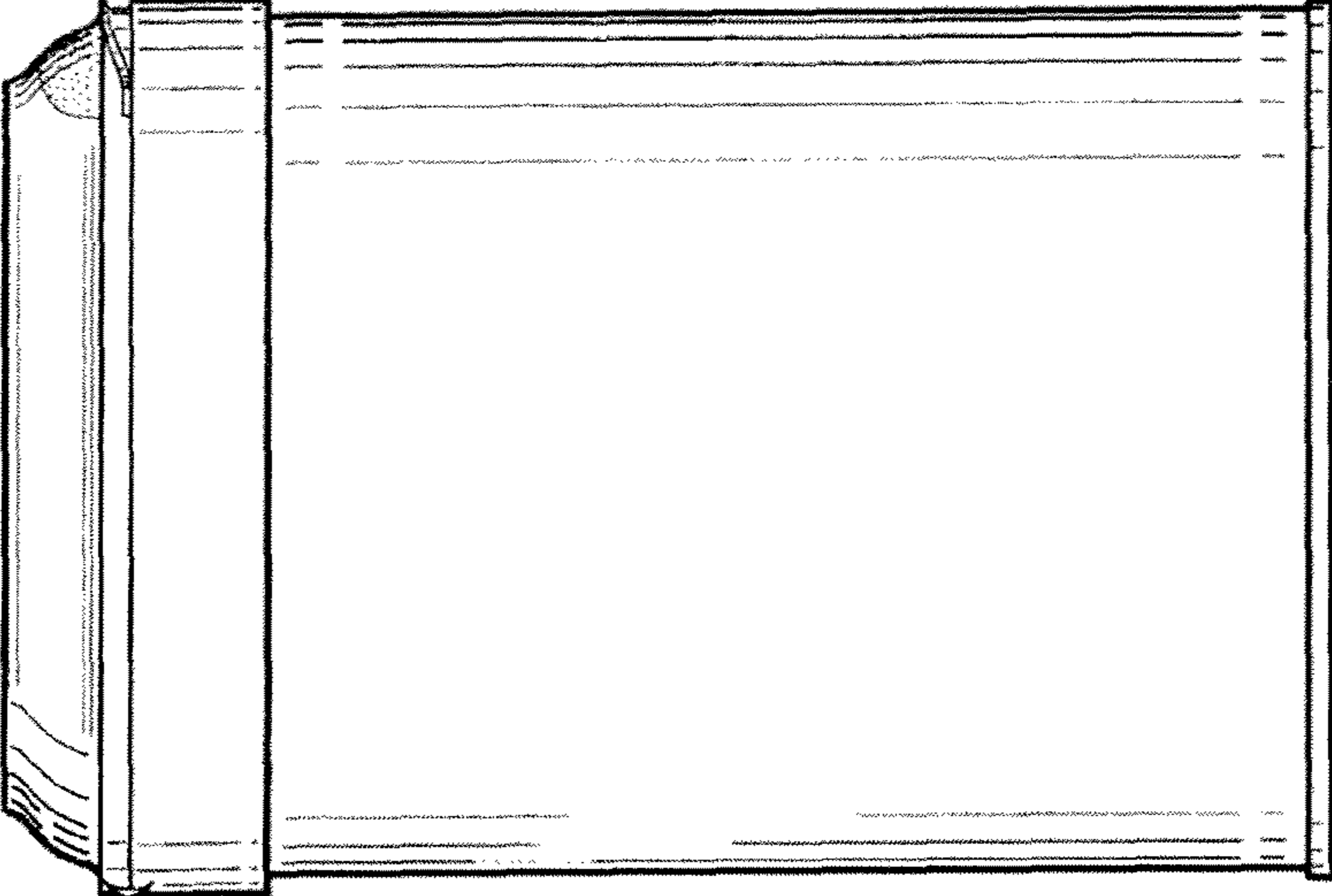
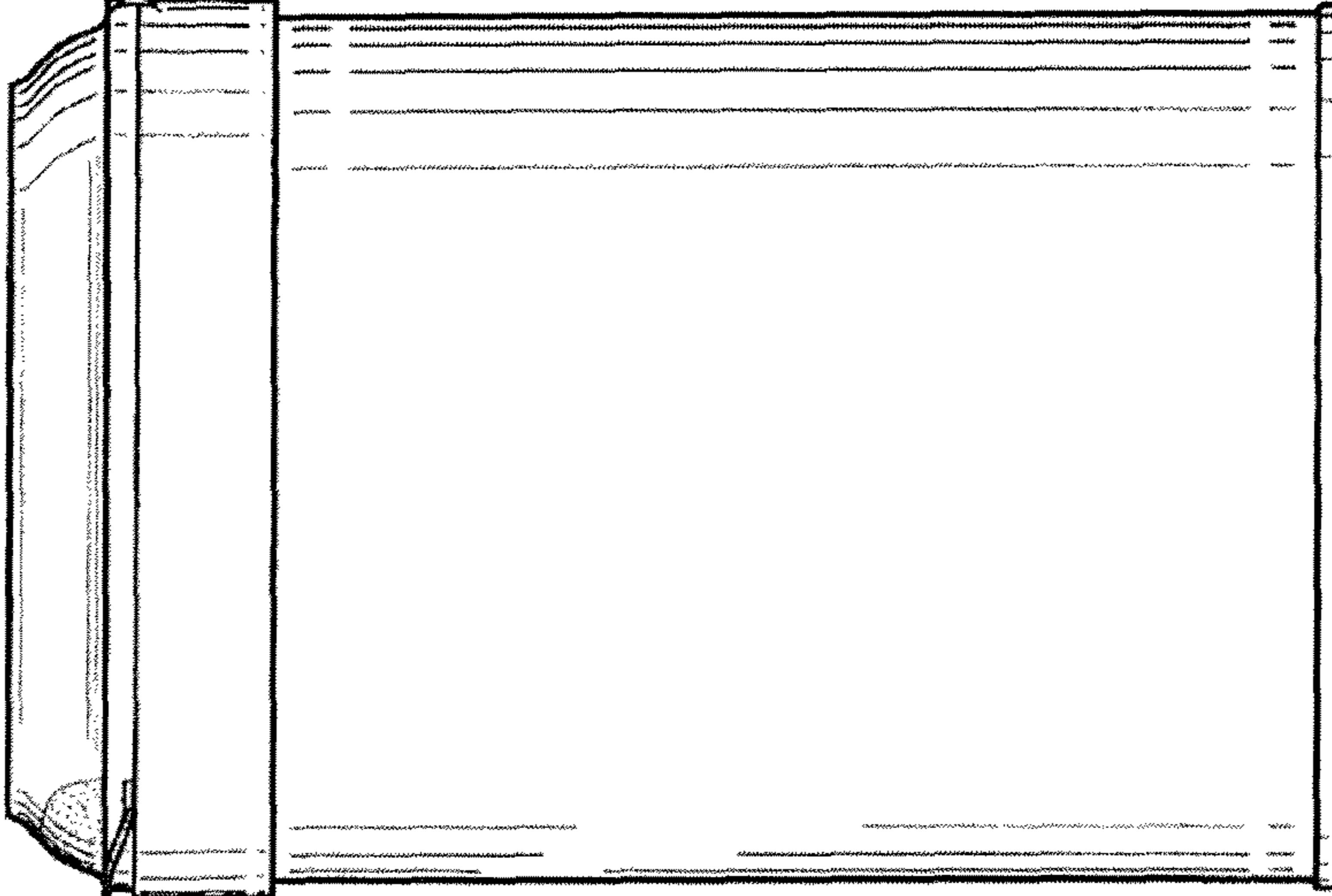


FIG. 3



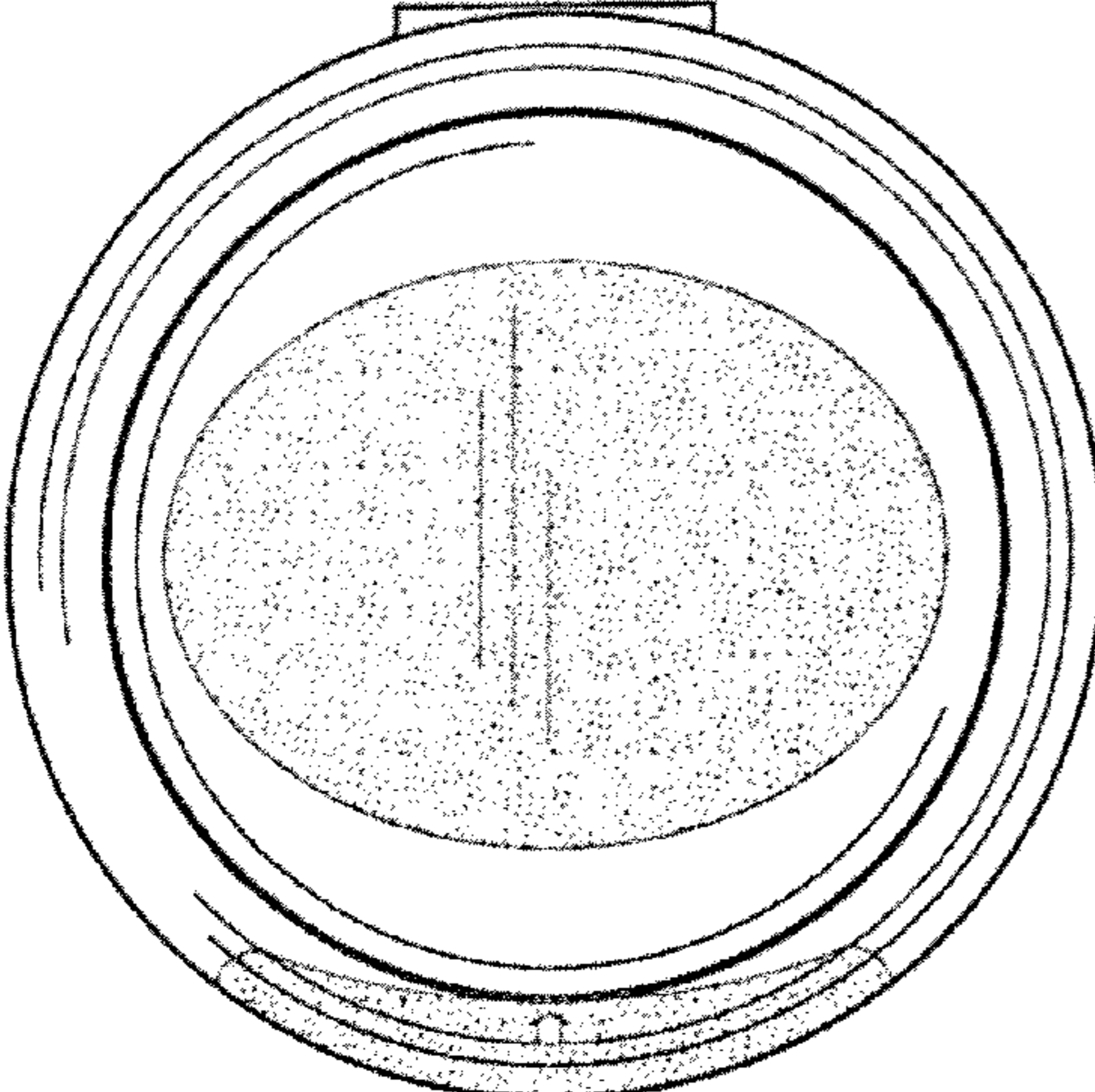


FIG. 6

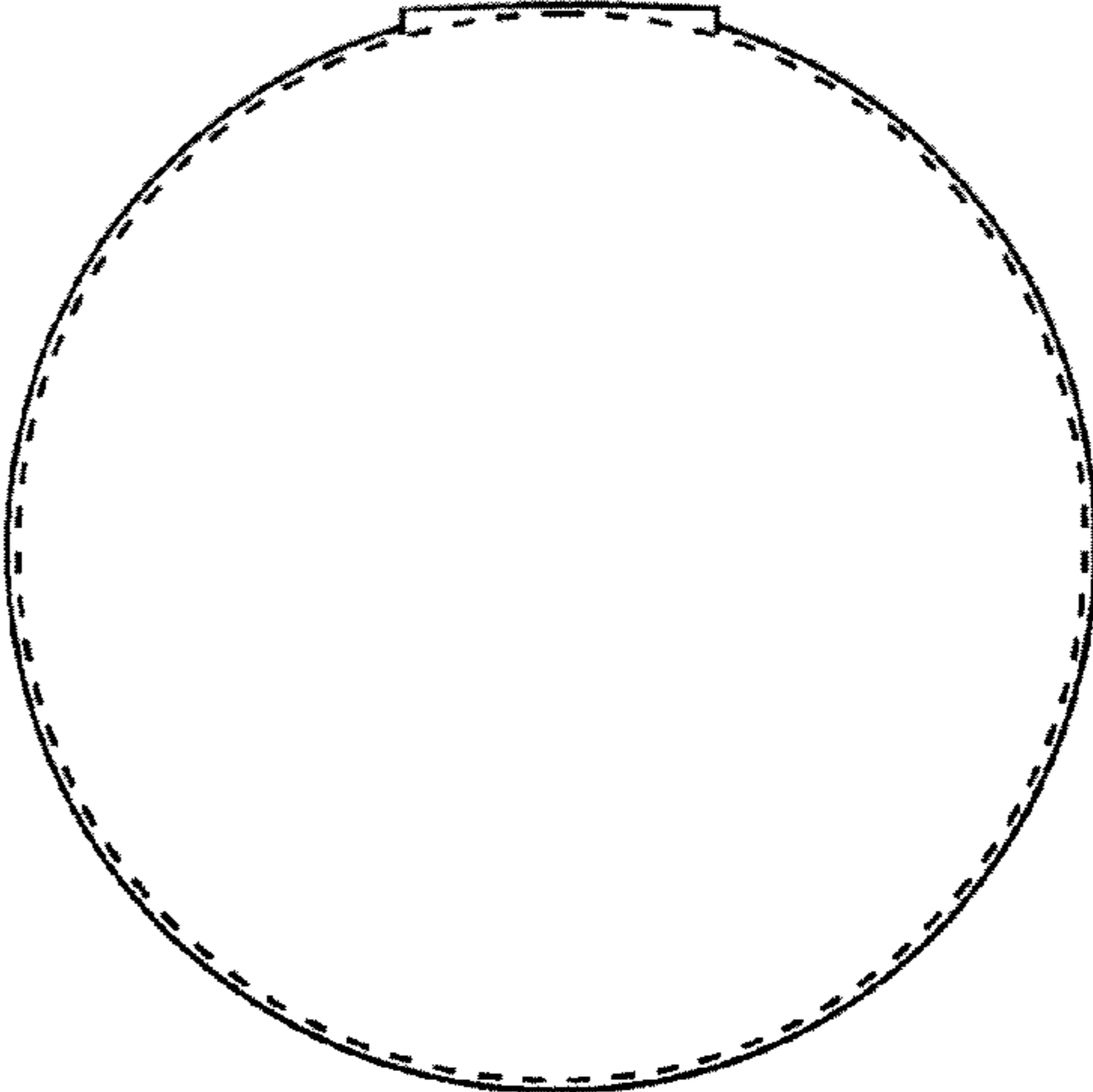


FIG. 7

FIG. 5

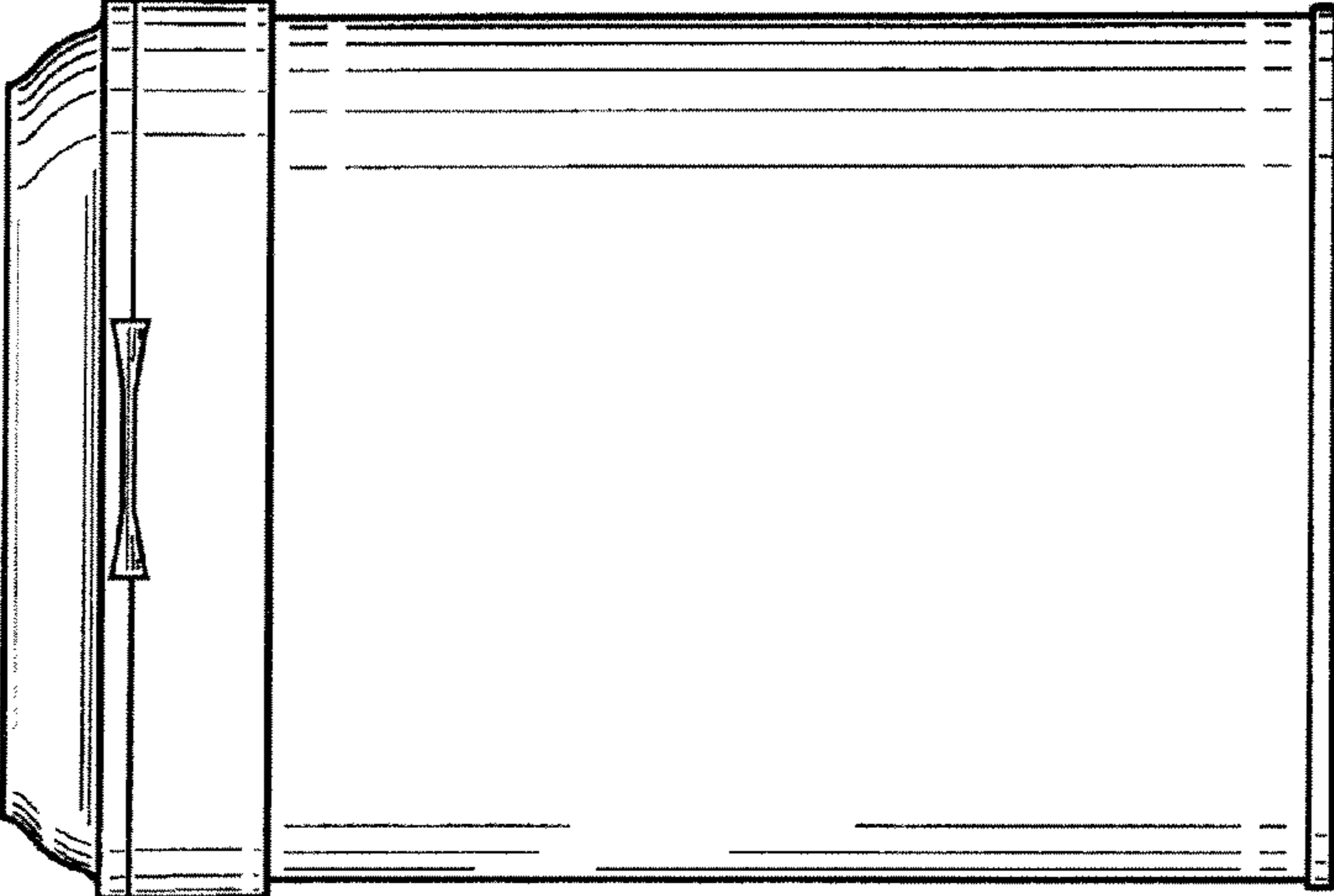


FIG. 8

