



US00D661587S

(12) **United States Design Patent**
Rodriguez

(10) **Patent No.:** **US D661,587 S**

(45) **Date of Patent:** **** Jun. 12, 2012**

(54) **BOTTLE**

(75) **Inventor:** **Alonso Gonzalez Rodriguez**, Naucalpan (MX)

(73) **Assignee:** **Grupo Pavisa S.A. De C.V.**, Naucalpan Estado de Mexico (MX)

(**) **Term:** **14 Years**

(21) **Appl. No.:** **29/402,517**

(22) **Filed:** **Sep. 23, 2011**

(51) **LOC (9) Cl.** **09-01**

(52) **U.S. Cl.** **D9/500**

(58) **Field of Classification Search** D9/500,
D9/502-505, 516, 544-546, 549, 575, 682,
D9/686-692, 537-539; 215/379, 381-382;
220/360, 662, 669, 675

See application file for complete search history.

(56) **References Cited**

U.S. PATENT DOCUMENTS

D36,227 S * 2/1903 Schilling D9/545
D132,052 S * 4/1942 Trees D9/500

D434,985 S * 12/2000 Colonna D9/516
D452,648 S * 1/2002 Jakubiuk D9/628
D564,883 S * 3/2008 Rica D9/520
D626,419 S * 11/2010 Adamson D9/550
D636,677 S * 4/2011 Diez et al. D9/500

* cited by examiner

Primary Examiner — Ian Simmons

Assistant Examiner — Dana L Sipos

(74) *Attorney, Agent, or Firm* — Birch, Stewart, Kolasch & Birch, LLP

(57) **CLAIM**

The ornamental design for a bottle, as shown and described.

DESCRIPTION

FIG. 1 is a perspective view of a bottle showing my new design;

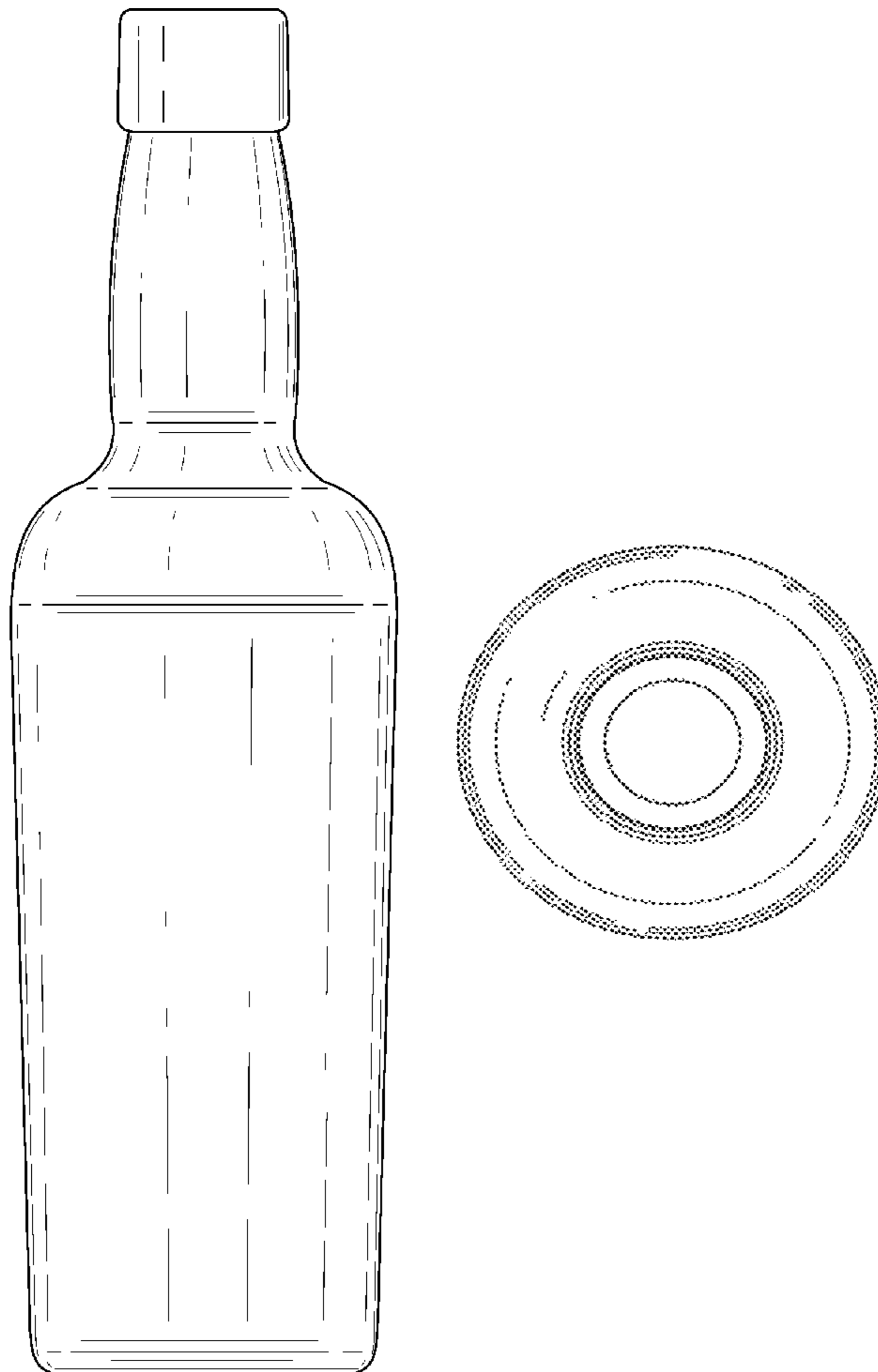
FIG. 2 is a front view thereof;

FIG. 3 is a top view thereof; and,

FIG. 4 is a bottom view thereof.

The broken lines in the drawings showing the bottom edge and bottom surface details of the bottle illustrate the portions of the design that form no part of the claim.

1 Claim, 3 Drawing Sheets



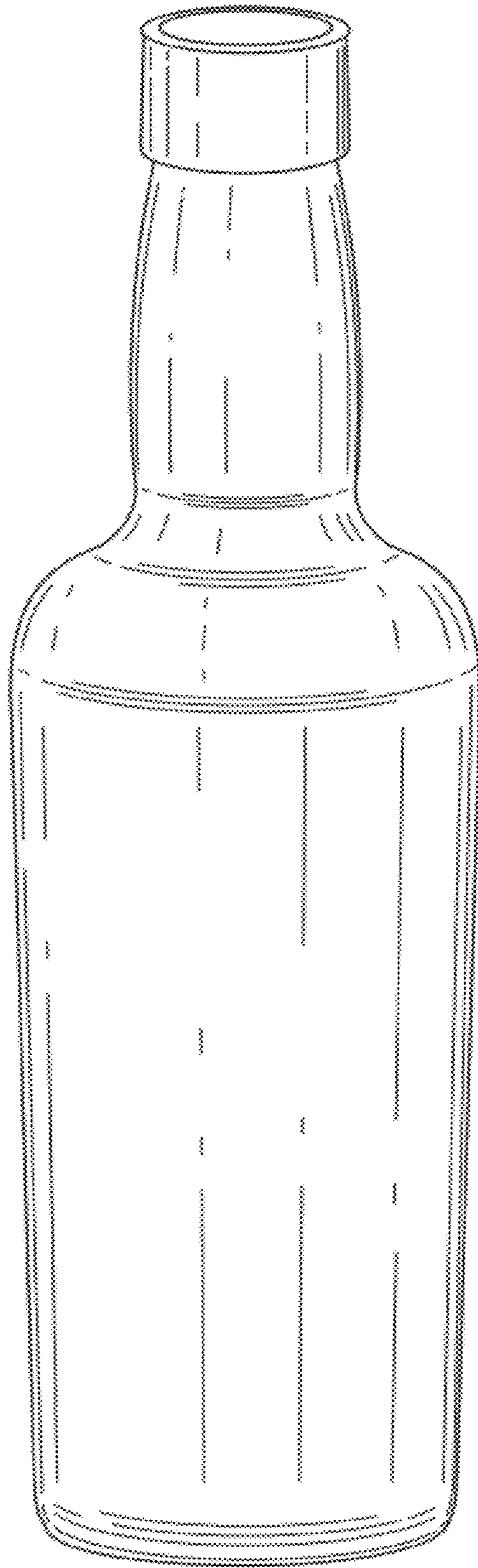


FIG. 1

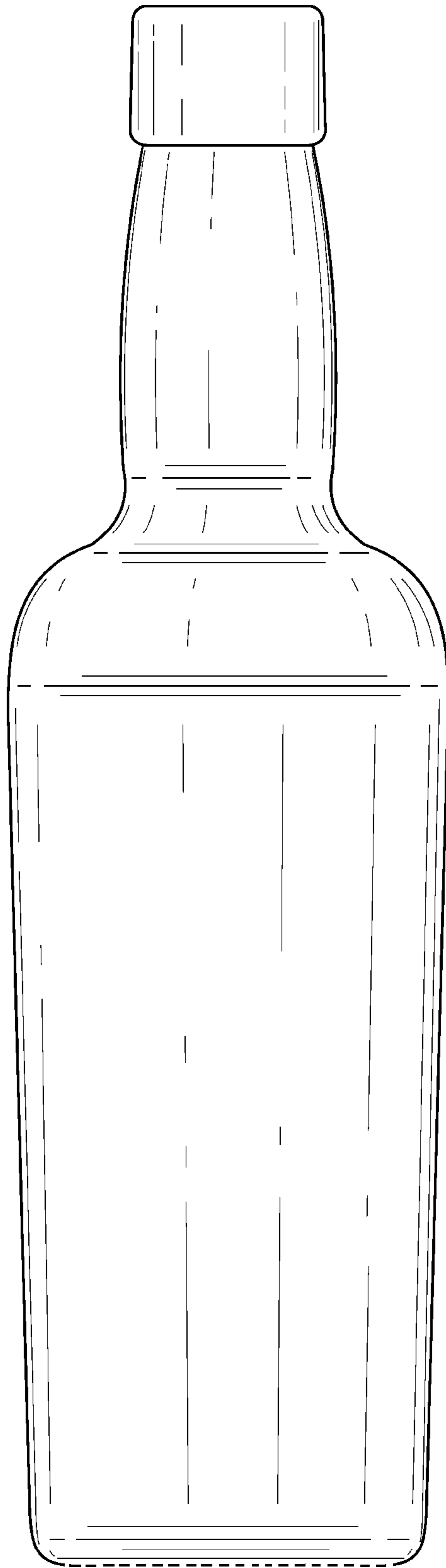


FIG. 2

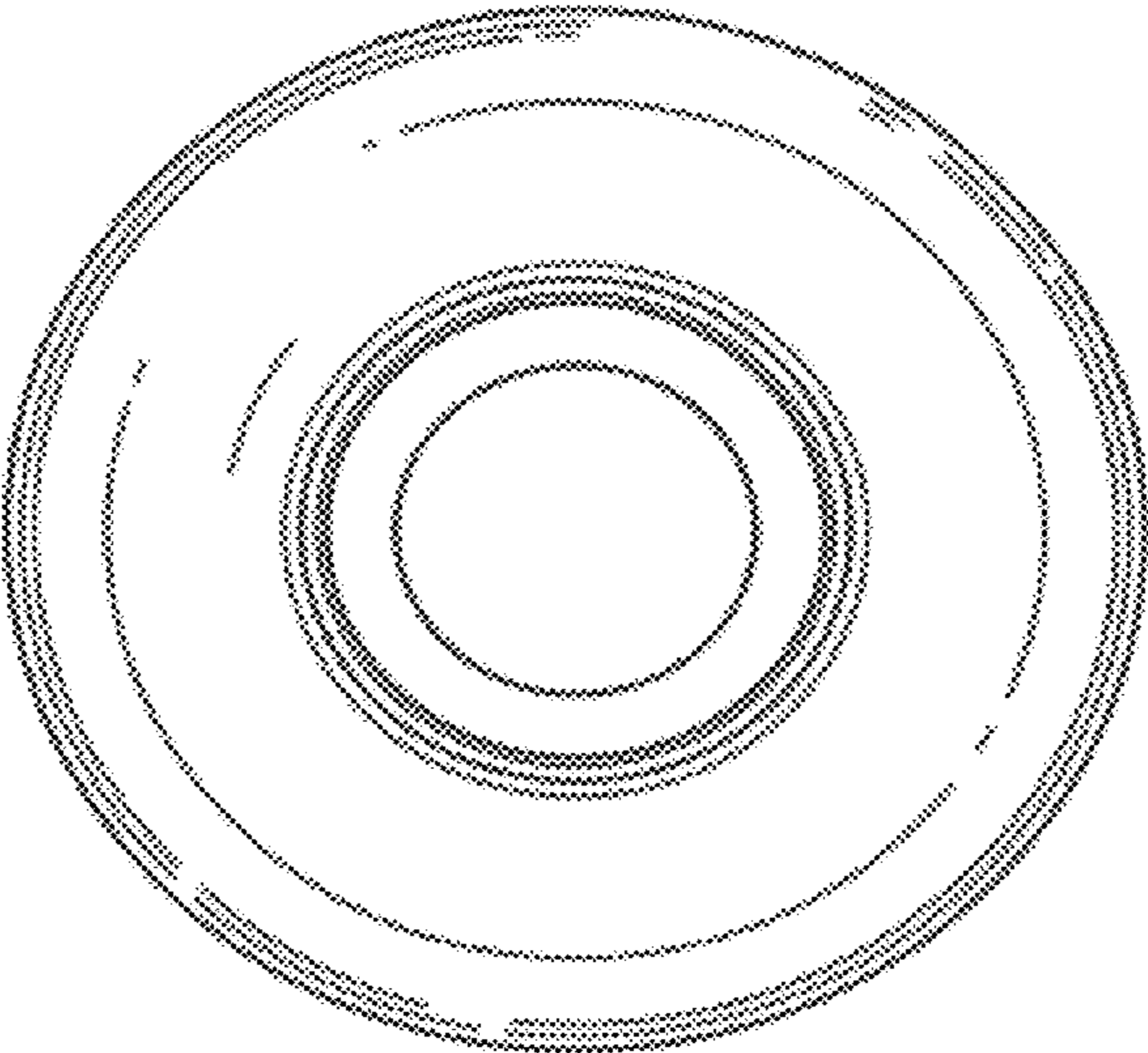


FIG. 3

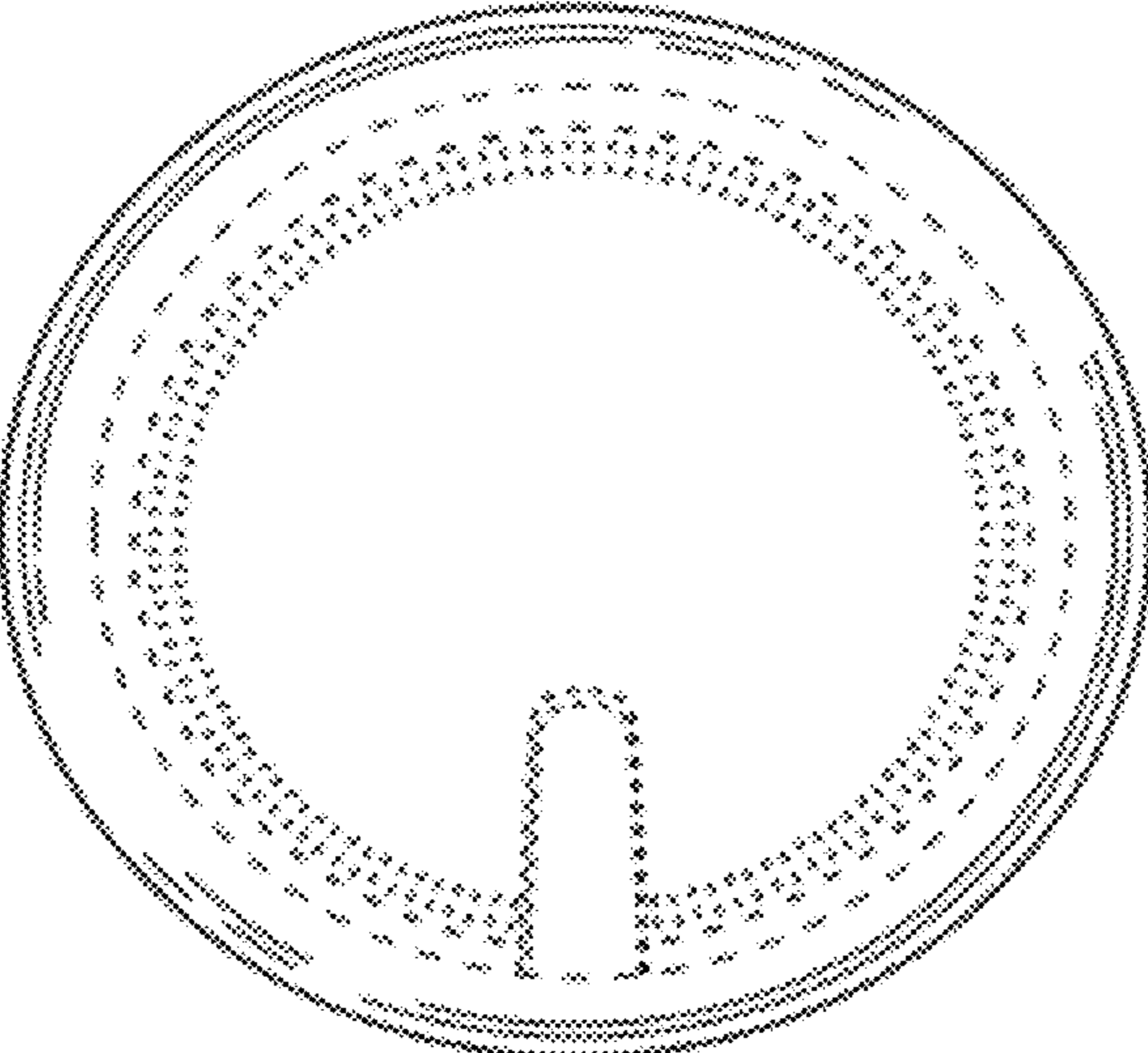


FIG. 4