

US00D661585S

(12) **United States Design Patent**
Anderson et al.

(10) **Patent No.:** **US D661,585 S**
(45) **Date of Patent:** **** Jun. 12, 2012**

(54) **PACKAGE CARD FOR A PERSONAL CARE PRODUCT**

(75) Inventors: **James Joseph Anderson**, Boston, MA (US); **Carl Andrew Gerhards**, Astoria, NY (US); **Andrew A. Markle**, New York, NY (US); **Guohua Pan**, Luwan (CN)

(73) Assignee: **The Gillette Company**, Boston, MA (US)

(**) Term: **14 Years**

(21) Appl. No.: **29/415,323**

(22) Filed: **Mar. 9, 2012**

(51) **LOC (9) Cl.** **09-03**

(52) **U.S. Cl.** **D9/457**; D9/434; D20/22

(58) **Field of Classification Search** D9/713, D9/516, 457, 456, 447, 444, 443, 436, 435, D9/434; D20/40, 28, 27, 22; D11/3; 40/633, 40/321, 313, 312, 310, 124.04, 673, 307; 220/694, 258.2, 233; 215/386; D19/9, 1; 222/107, 105

See application file for complete search history.

(56) **References Cited**

U.S. PATENT DOCUMENTS

846,683	A	3/1907	Moore et al.	
D51,212	S	8/1917	Page	
1,353,689	A	9/1920	Wilkie	
D57,707	S	4/1921	Morrison	
1,566,964	A	12/1925	Higgins	
D73,128	S	7/1927	Harris	
1,673,176	A	6/1928	Benner	
1,712,380	A	5/1929	De Courten Othmar et al.	
1,716,975	A	6/1929	Phillips	
D82,181	S	9/1930	Sawin	
1,814,561	A	7/1931	Krumm	
1,842,542	A	* 1/1932	Dailey	229/406
2,003,600	A	6/1935	Lowenfels	
2,111,884	A	3/1938	Cahaney	

2,584,379	A	2/1952	Chmielewski	
D210,323	S	2/1968	Hurley	
3,623,650	A	11/1971	Watts	
3,698,124	A	10/1972	Reitzel et al.	
RE29,185	E	4/1977	Tolaas	
D248,834	S	8/1978	Morgan	
D312,423	S	11/1990	Orlinsky et al.	
D317,261	S	6/1991	Brown et al.	
5,078,283	A	1/1992	Wilson	
5,213,255	A	5/1993	Cote	
D339,013	S	9/1993	Wright	
D341,388	S	* 11/1993	Rocco	D21/483
D344,102	S	2/1994	Polak et al.	
5,375,713	A	12/1994	Horvat et al.	
D356,033	S	3/1995	Horvat et al.	
5,425,499	A	6/1995	Pfeiffer	
D366,284	S	1/1996	Binkley	

(Continued)

OTHER PUBLICATIONS

Printed copy of a catalogue in Japanese that shows a similar design to our design application.

Primary Examiner — Susan Bennett Hattan

(74) *Attorney, Agent, or Firm* — John M. Lipchitz; Kevin C. Johnson; Steven W. Miller

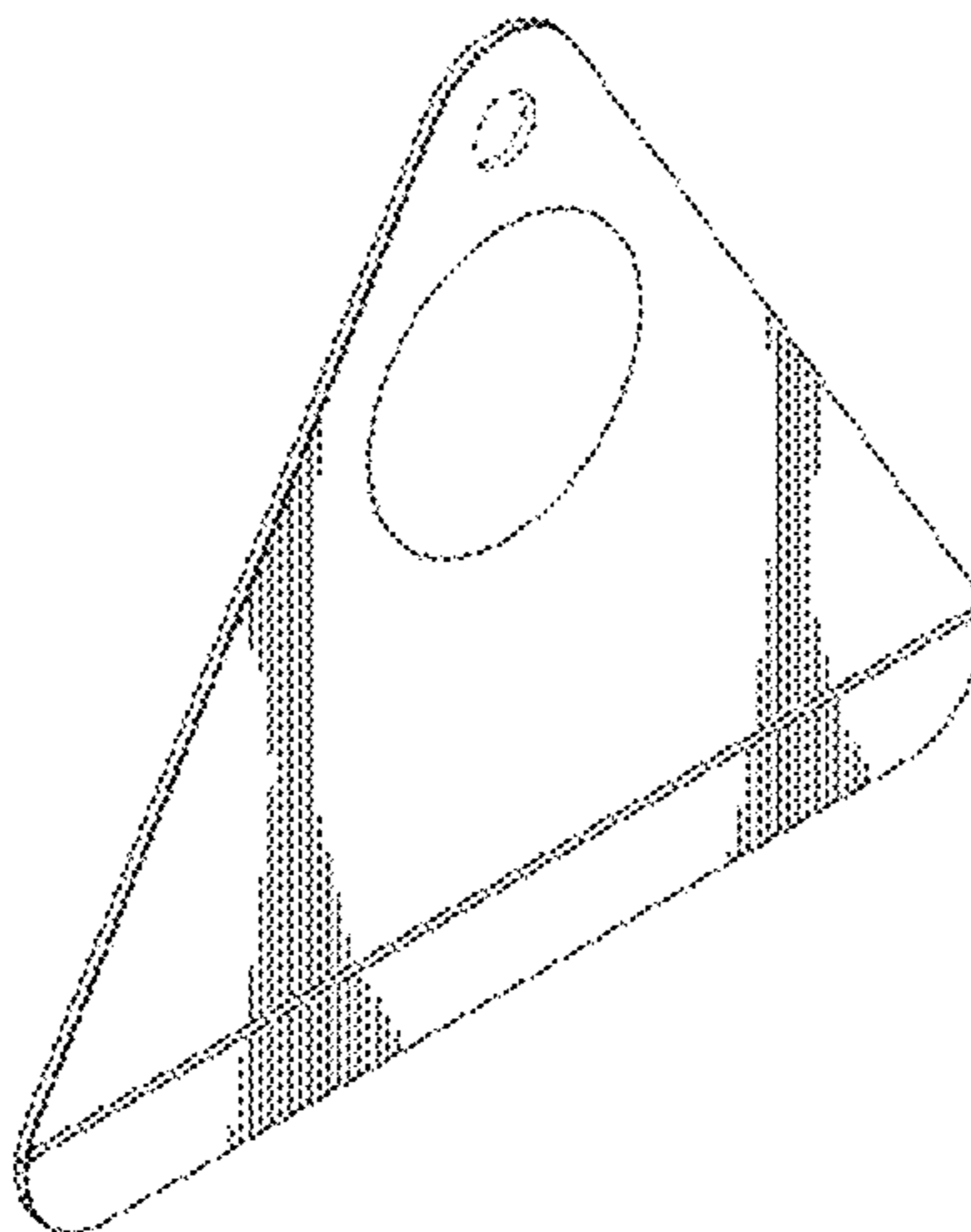
(57) **CLAIM**

The ornamental design for a package card for a personal care product, as shown and described.

DESCRIPTION

FIG. 1 is a perspective view of a package card for a personal care product of the present invention; FIG. 2 is a top view thereof; FIG. 3 is a bottom view thereof; FIG. 4 is a right view thereof; FIG. 5 is a left view thereof; FIG. 6 is a front view thereof; and, FIG. 7 is a rear view thereof. The broken lines in the drawings depict environmental subject matter only and form no part of the claimed design.

1 Claim, 3 Drawing Sheets



US D661,585 S

Page 2

U.S. PATENT DOCUMENTS

D370,386 S	6/1996	Pallesen	D494,859 S	8/2004	Keberlein	
5,558,224 A	9/1996	Fogle	D499,112 S	11/2004	Chaudhri et al.	
D376,501 S	12/1996	Spaseska	D505,164 S	5/2005	McCabe	
D376,758 S	12/1996	Bradfield	6,926,196 B2	8/2005	Testerman et al.	
5,651,481 A	7/1997	Jensen	D534,022 S	12/2006	Sab	
D407,444 S	3/1999	Gregory-Gillman	D534,387 S	1/2007	Sab	
D418,412 S	1/2000	Komatsu	D538,357 S	3/2007	Salmon	
D429,282 S	8/2000	Velazquez et al.	D556,048 S	11/2007	Lepoitevin	
D431,189 S	9/2000	Komatsu	D563,989 S	3/2008	Hosokawa et al.	
D438,699 S	3/2001	Campman	D589,792 S	4/2009	Clabough et al.	
D439,838 S	4/2001	Sagel et al.	D591,172 S	4/2009	Keberlein et al.	
D451,951 S	12/2001	Dusanter	D591,618 S	5/2009	Keberlein et al.	
6,360,941 B1	3/2002	Larsson	D620,794 S	8/2010	Kohno	
6,443,305 B1	9/2002	Stanford et al.	D621,275 S	8/2010	Marotti et al.	
D463,976 S	10/2002	Sipinen et al.	D640,327 S	6/2011	Gorzo	
D465,155 S	11/2002	Weinstein et al.	D650,678 S *	12/2011	Marotti	D9/516
D471,451 S	3/2003	Hadeler	D652,300 S *	1/2012	Anderson et al.	D9/457
D474,201 S	5/2003	Chaudhri et al.	2005/0235530 A1	10/2005	Boisvert	
6,592,023 B2	7/2003	Li Vigni et al.				

* cited by examiner

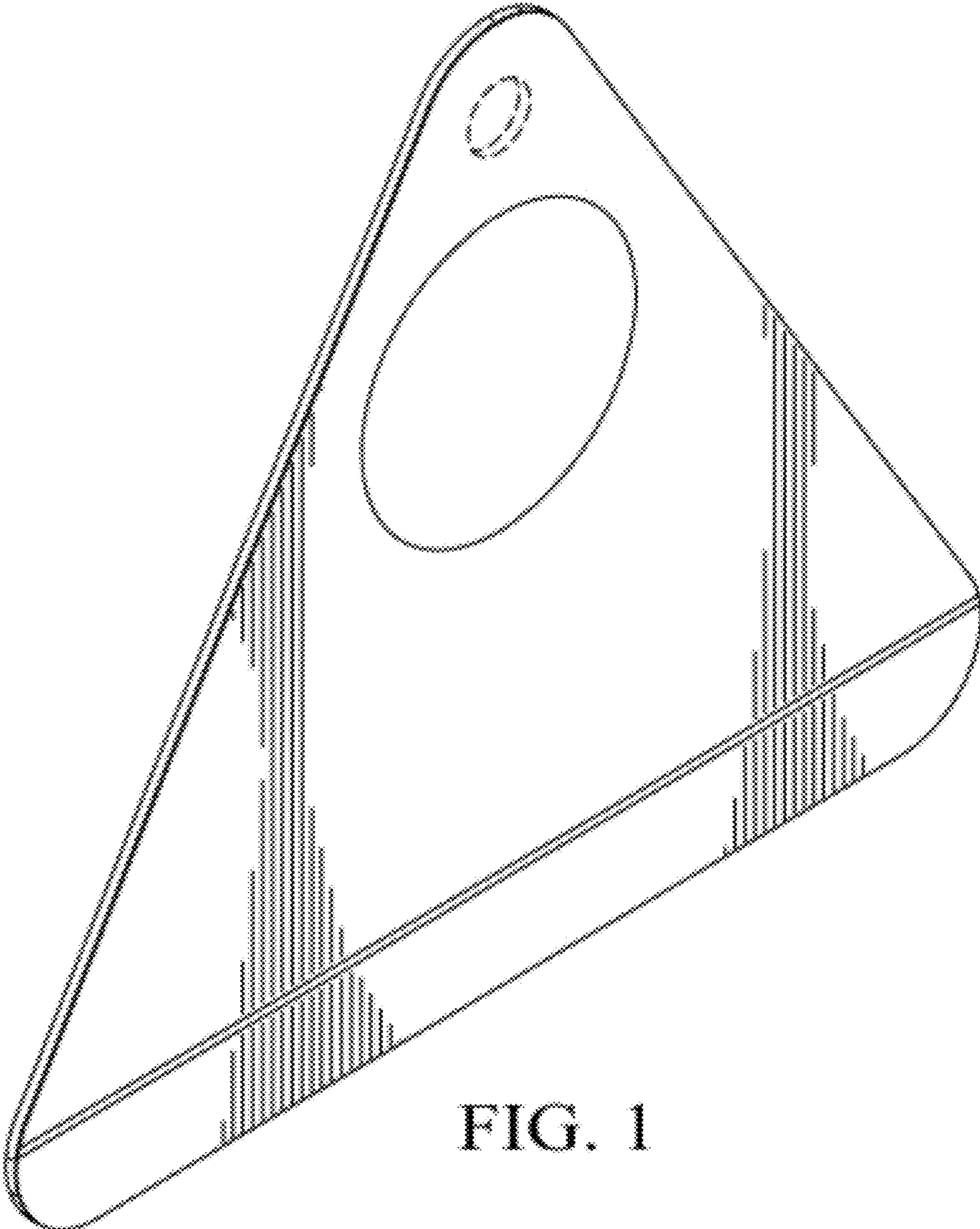


FIG. 1

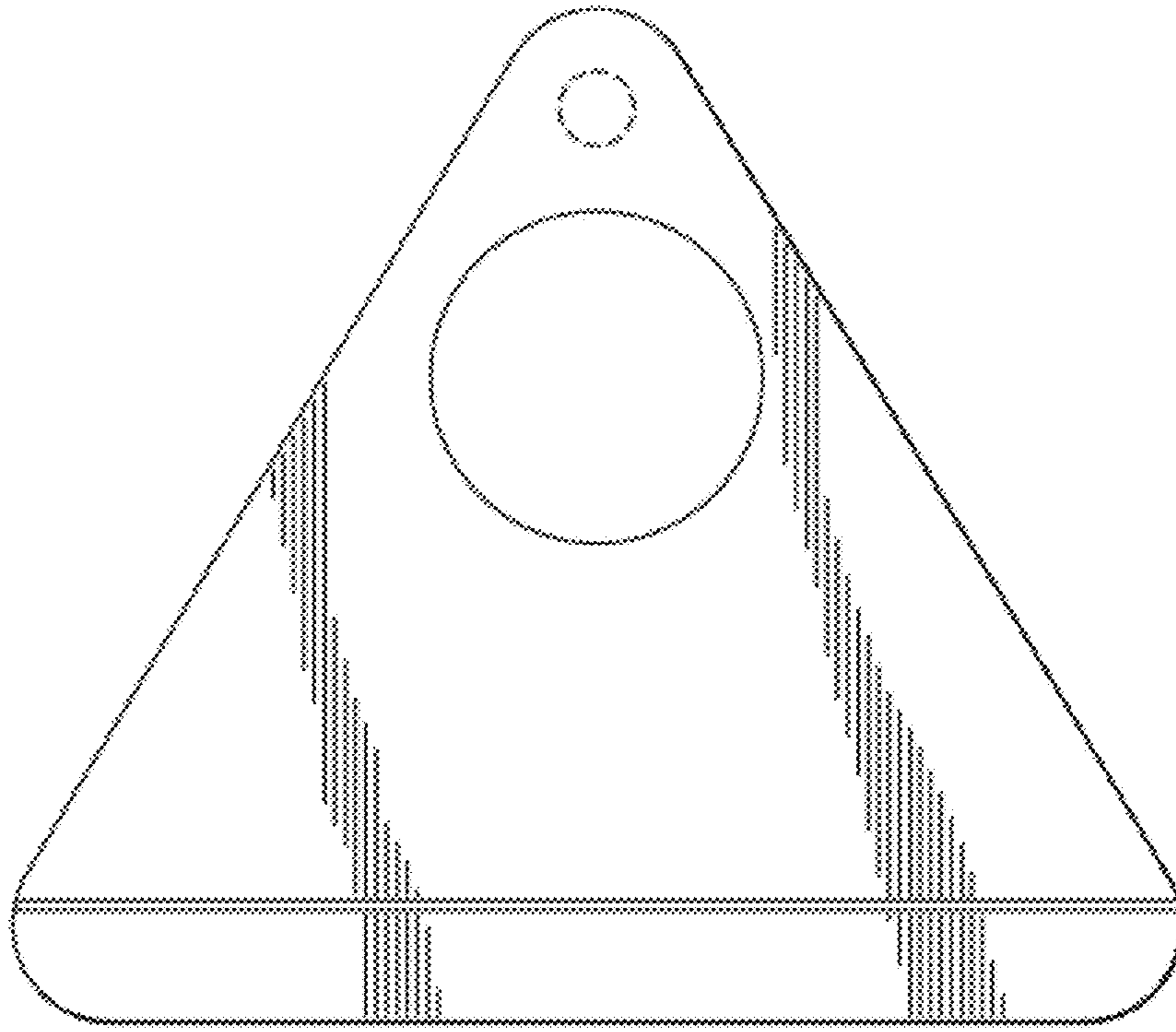


FIG. 2

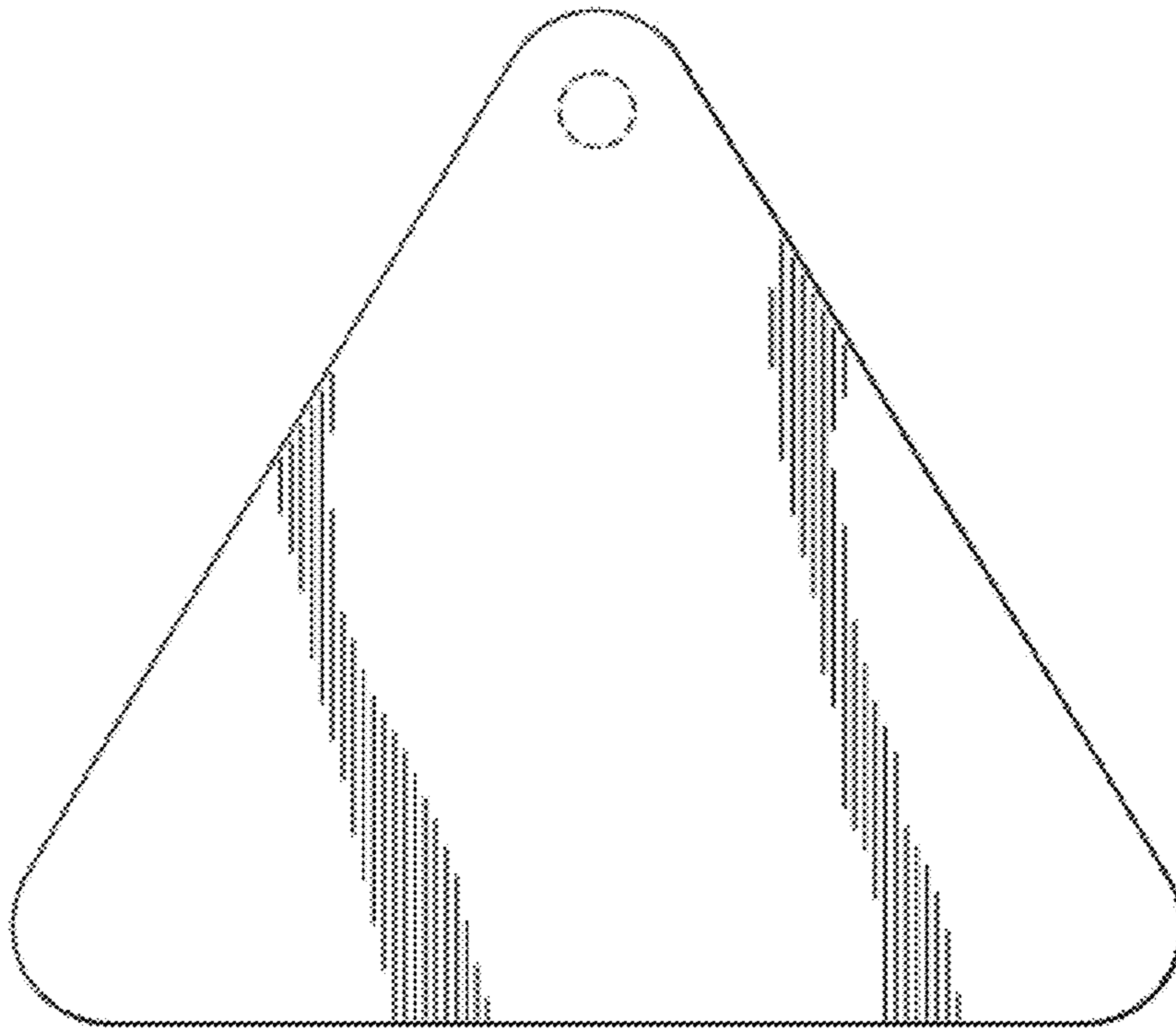


FIG. 3



FIG. 4



FIG. 5

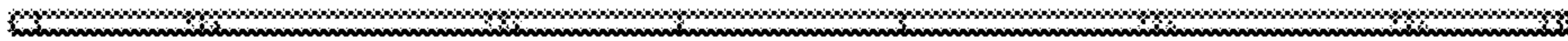


FIG. 6



FIG. 7