



US00D661583S

(12) **United States Design Patent**
Santarelli et al.

(10) **Patent No.:** **US D661,583 S**
(45) **Date of Patent:** **** Jun. 12, 2012**

(54) **CLOSURE**

(75) Inventors: **Marcelo Santarelli**, Ciudad Autónoma de Buenos Aires (AR); **Timothy R. Mazurkiewicz**, Milwaukee, WI (US)

(73) Assignee: **AptarGroup, Inc.**, Crystal Lake, IL (US)

(**) Term: **14 Years**

(21) Appl. No.: **29/403,273**

(22) Filed: **Oct. 4, 2011**

(51) **LOC (9) Cl.** **09-07**

(52) **U.S. Cl.** **D9/449; D9/454**

(58) **Field of Classification Search** D9/456,
D9/455, 434; D3/328, 319, 313, 295, 294,
D3/273, 203.8, 203.6, 203.1, 201; D25/141,
D25/125, 123, 115, 114, 113; 428/152, 150,
428/141; 410/154

See application file for complete search history.

(56) **References Cited**

U.S. PATENT DOCUMENTS

D349,857 S *	8/1994	Lonczak et al.	D9/558
D349,858 S *	8/1994	Lonczak et al.	D9/558
D357,418 S *	4/1995	Lonczak et al.	D9/558
D434,659 S *	12/2000	Lonczak et al.	D9/449
D521,381 S *	5/2006	Hicks et al.	D9/449
D521,866 S *	5/2006	Hicks et al.	D9/449
D522,363 S *	6/2006	Hicks et al.	D9/449
D533,453 S *	12/2006	Lovell	D9/449
D536,974 S *	2/2007	Smith et al.	D9/449
D536,975 S *	2/2007	Smith et al.	D9/449
D538,162 S *	3/2007	Smith	D9/449
D607,726 S *	1/2010	Wisniewski	D9/449
D609,568 S *	2/2010	Mazurkiewicz	D9/449
D640,556 S *	6/2011	Bragg et al.	D9/449

* cited by examiner

Primary Examiner — Susan Bennett Hattan

(74) *Attorney, Agent, or Firm* — Wood, Phillips, Katz, Clark & Mortimer

(57) **CLAIM**

The ornamental design for a closure, as shown and described.

DESCRIPTION

FIG. 1 is an isometric view, taken from the front and right side, of a first embodiment of a closure, and FIG. 1 shows my new design with the lid in the closed position as the lid would be initially positioned with the closure body for installation of the closure on a container (not shown) for initial purchase by a consumer;

FIG. 2 is a top plan view thereof;

FIG. 3 is a front elevational view thereof;

FIG. 4 is a right side elevational view thereof, the left side elevational view thereof being a mirror image;

FIG. 5 is a rear elevational view thereof;

FIG. 6 is an isometric view, taken from the front and right side, of a second embodiment of a closure, and FIG. 7 shows the second embodiment of my new design with the lid in the closed position as the lid would be initially positioned with the closure body for installation of the closure on a container (not shown) for initial purchase by a consumer;

FIG. 7 is a top plan view of the second embodiment;

FIG. 8 is a front elevational view of the second embodiment;

FIG. 9 is a right side elevational view of the second embodiment, the left side elevational view thereof being a mirror image; and,

FIG. 10 is a rear elevational view of the second embodiment.

The broken lines in the figures represent unclaimed subject matter.

1 Claim, 5 Drawing Sheets

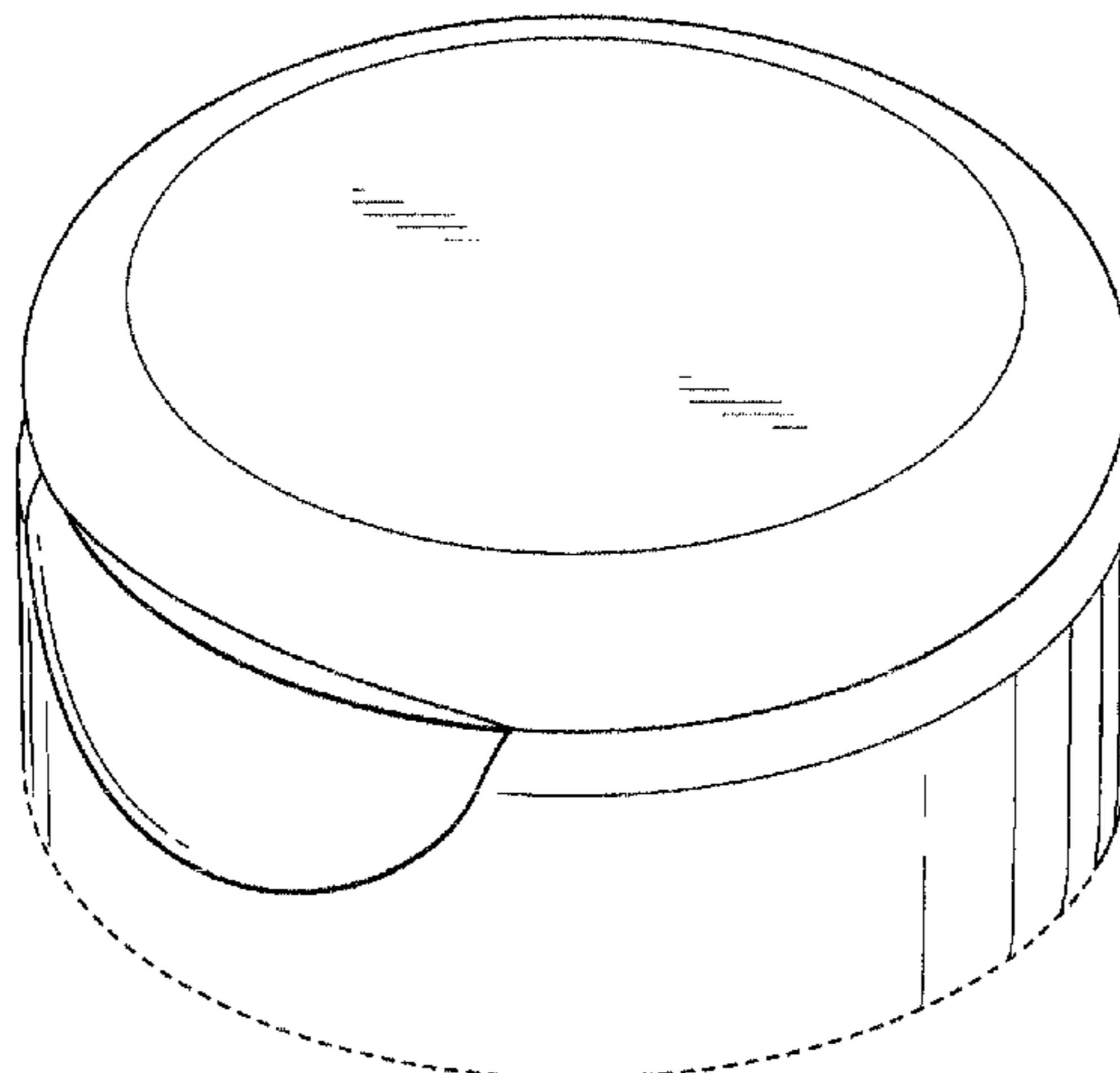


FIG. 1

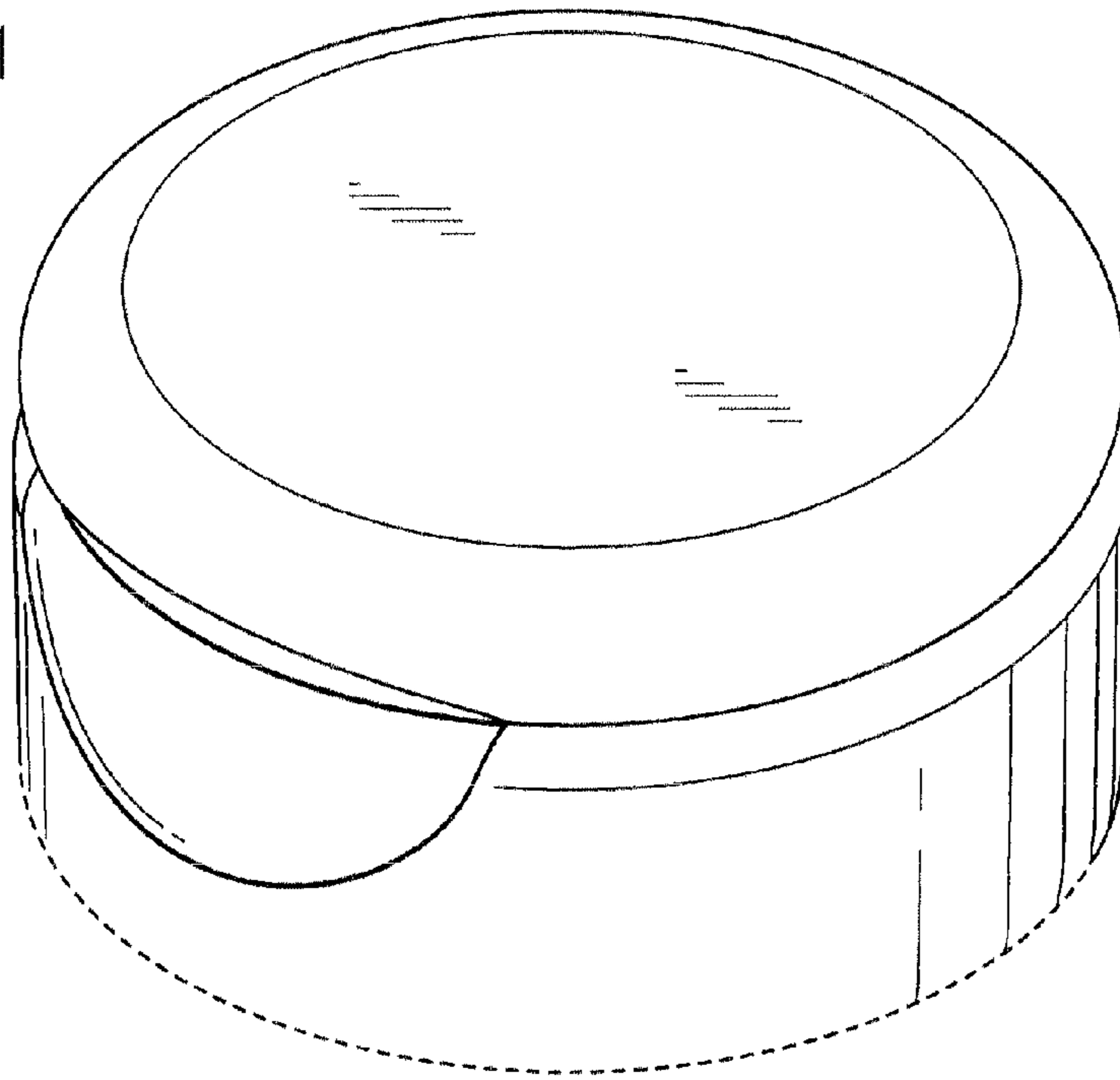
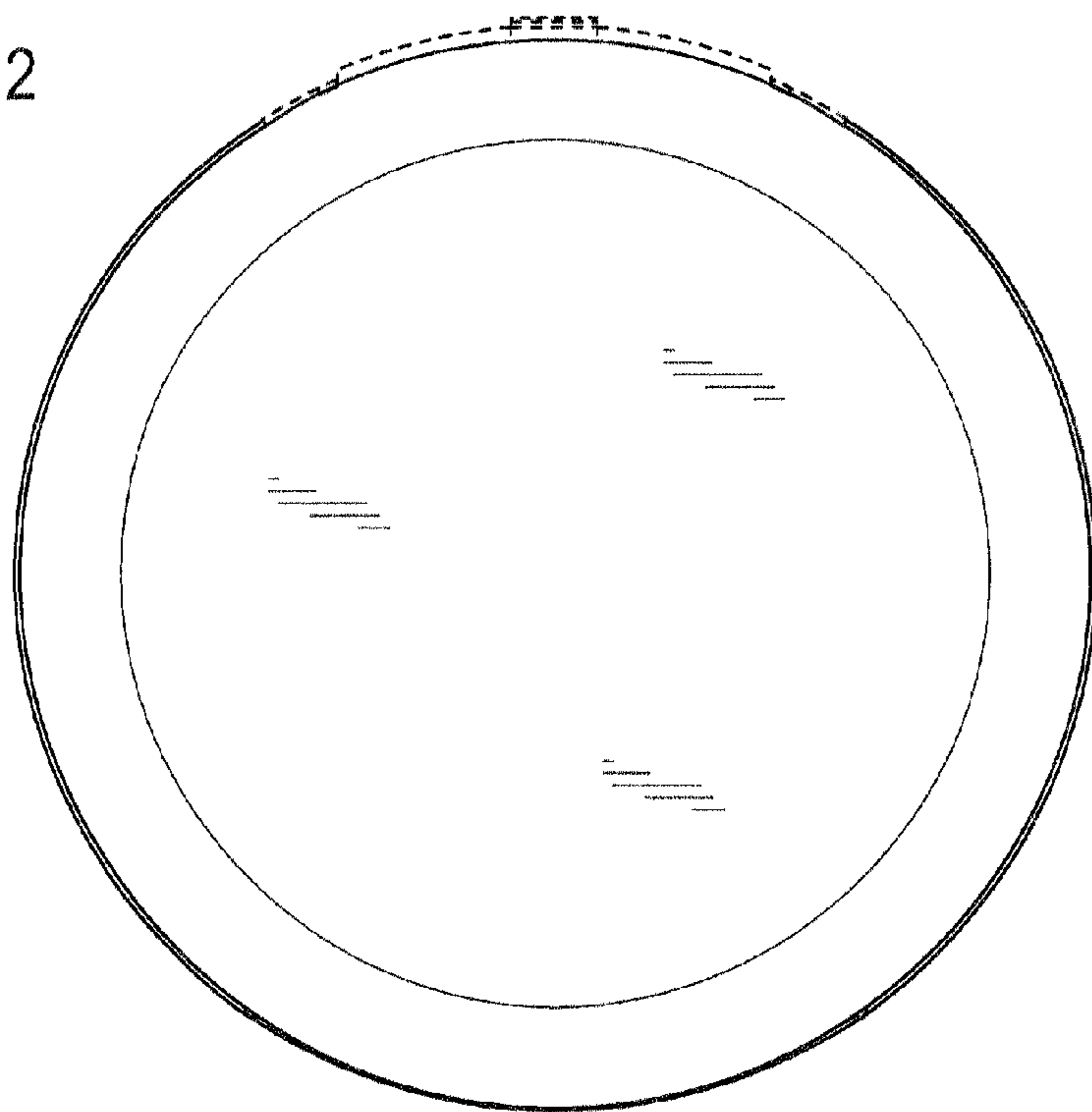


FIG. 2



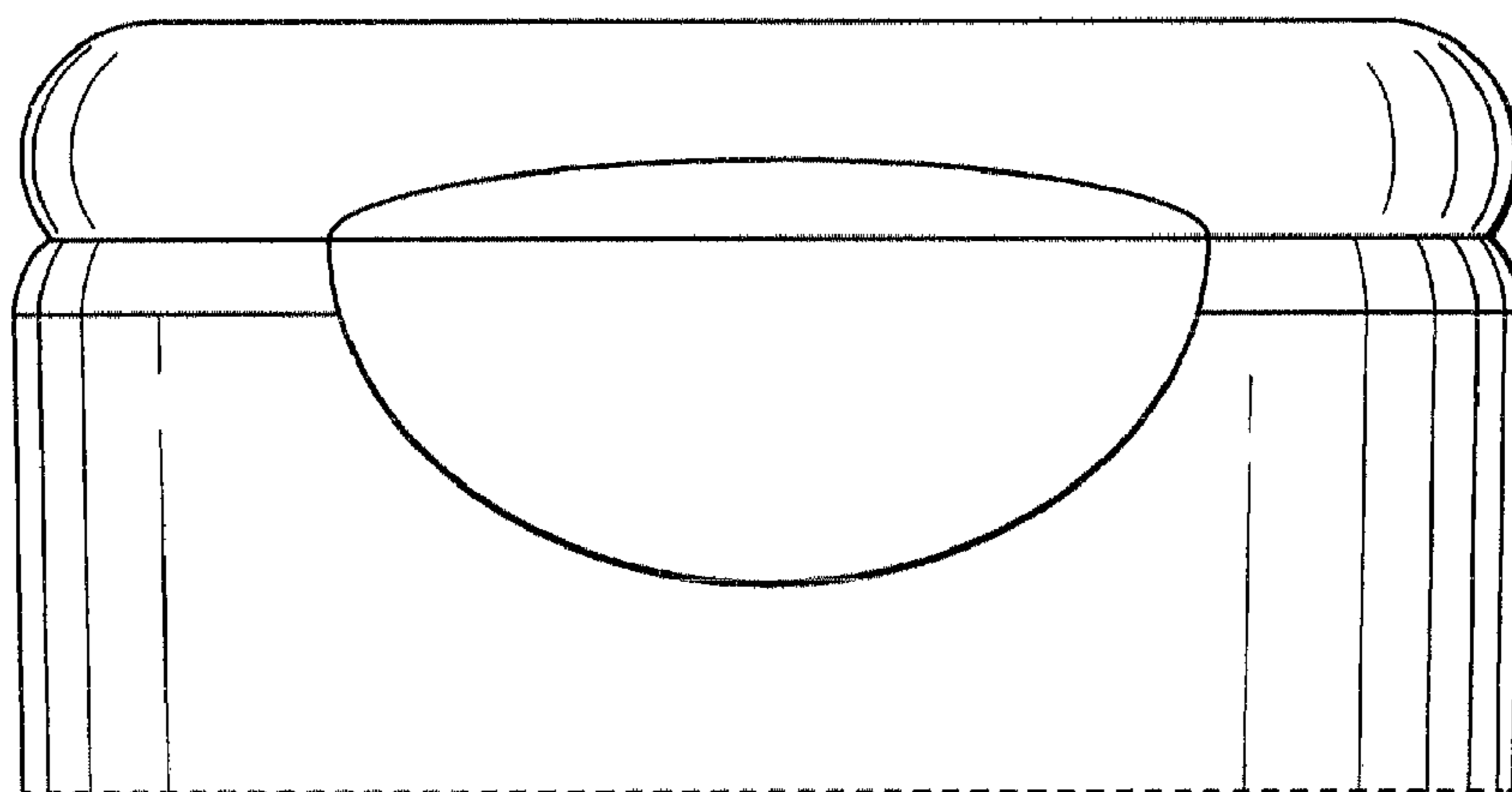


FIG. 3

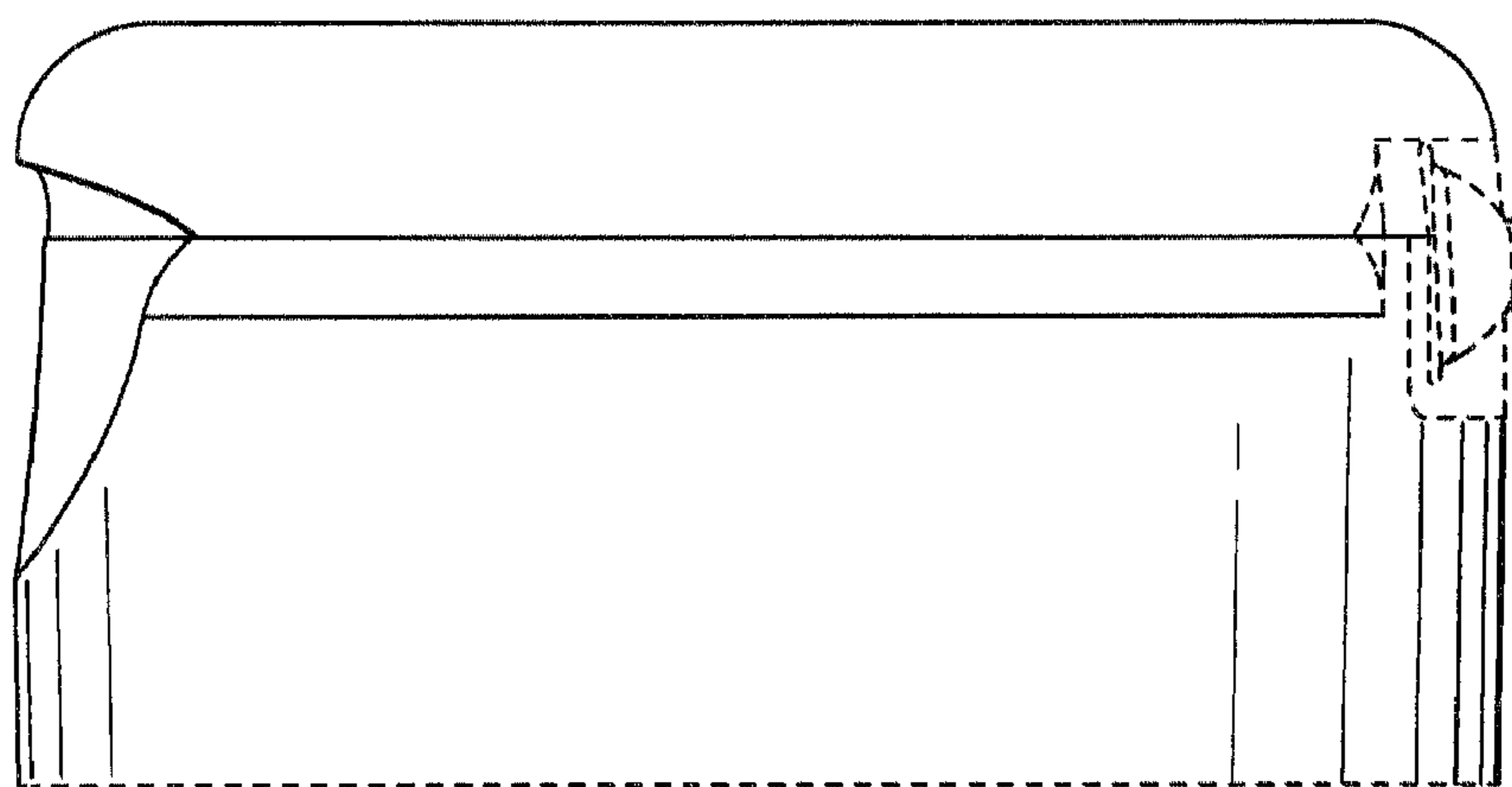


FIG. 4

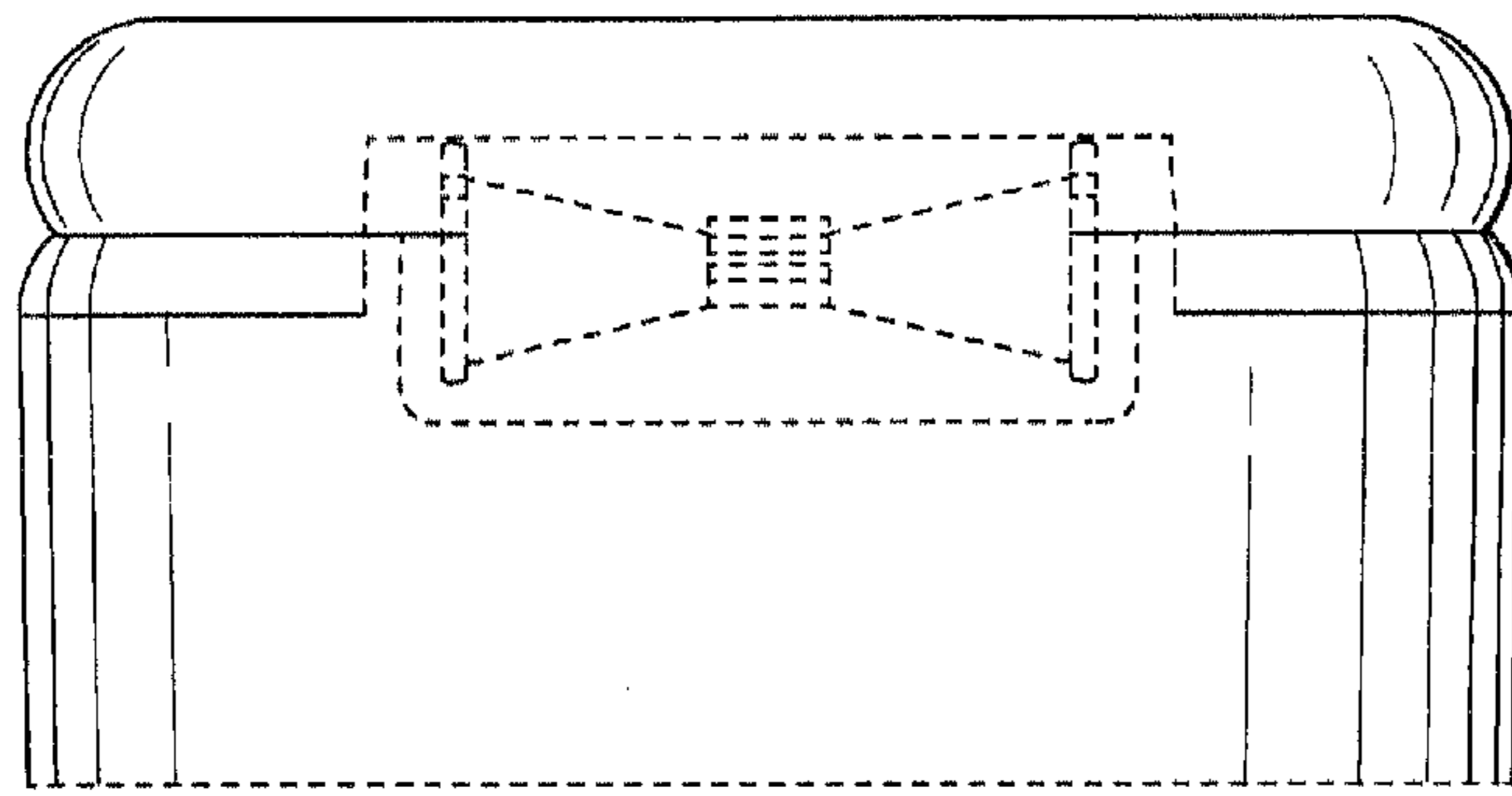


FIG. 5

FIG. 6

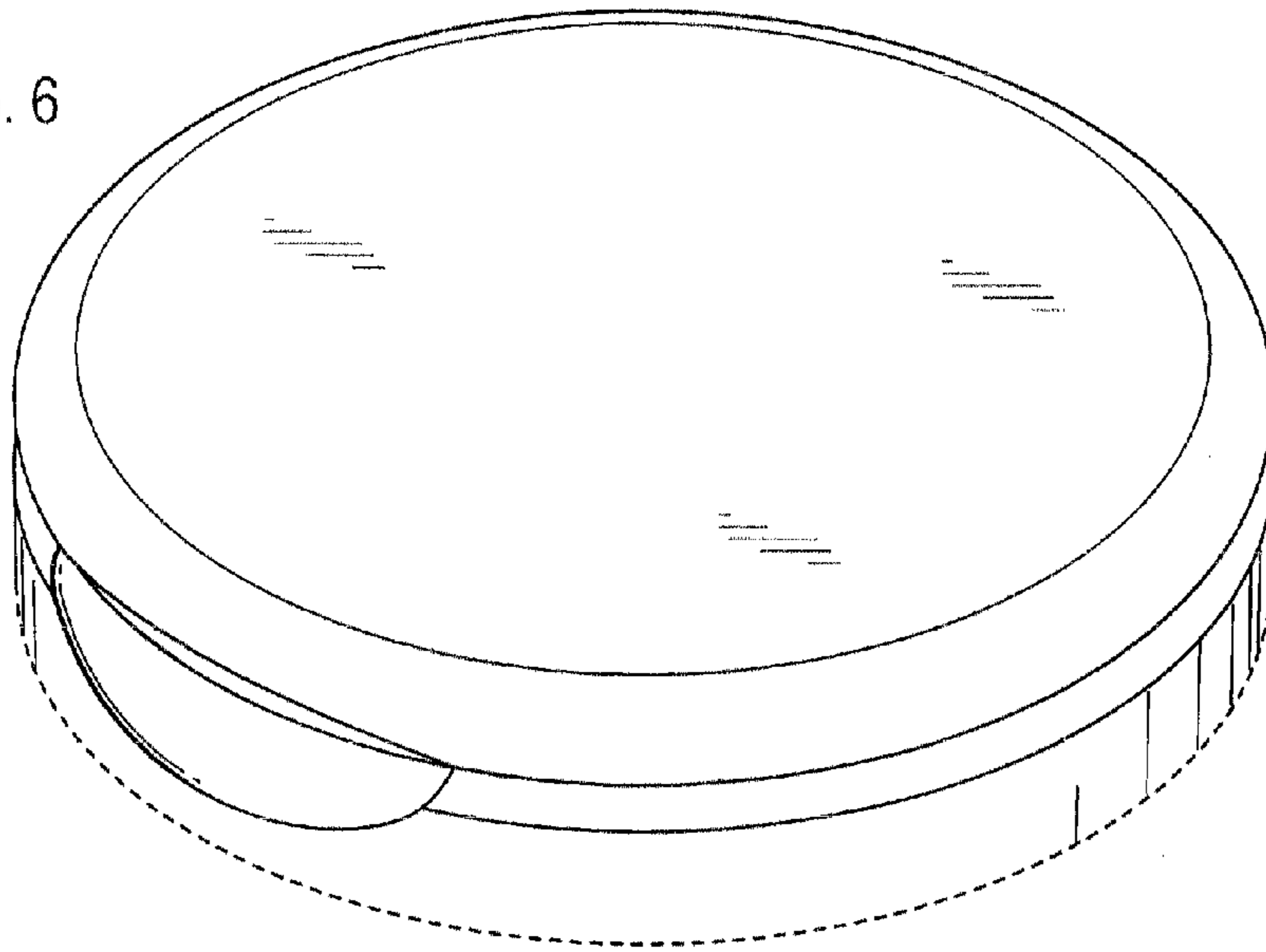
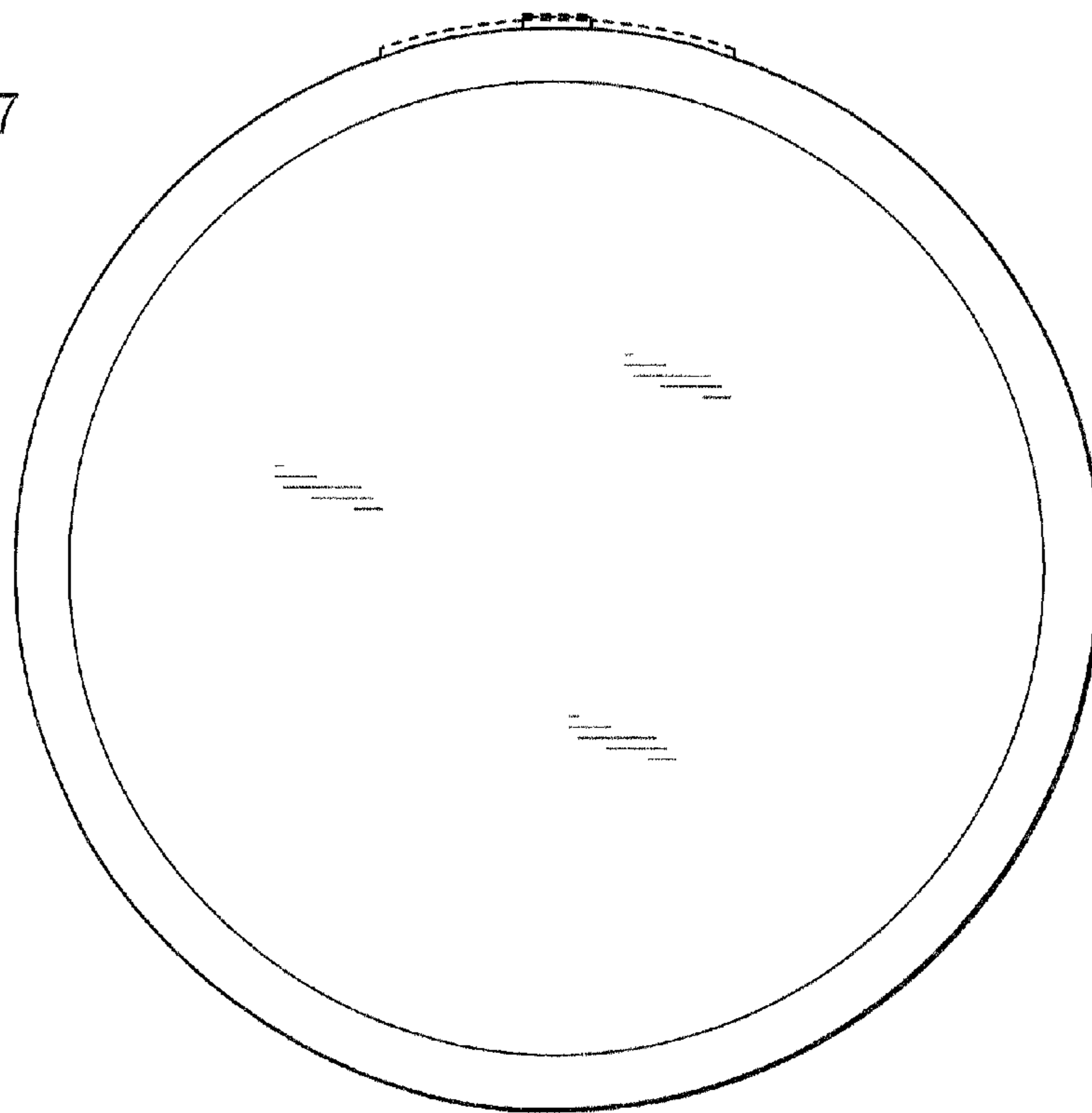


FIG. 7



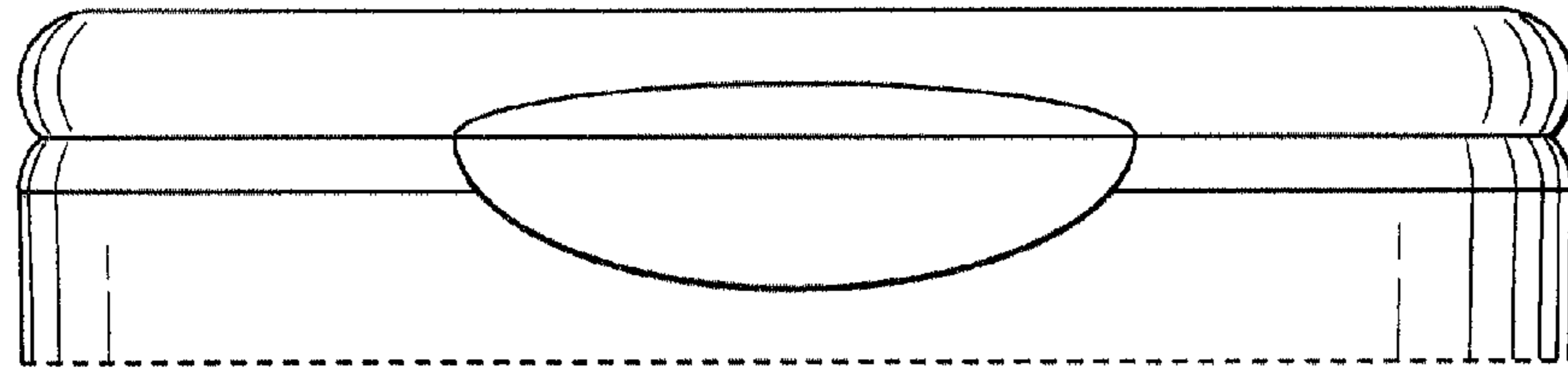


FIG. 8

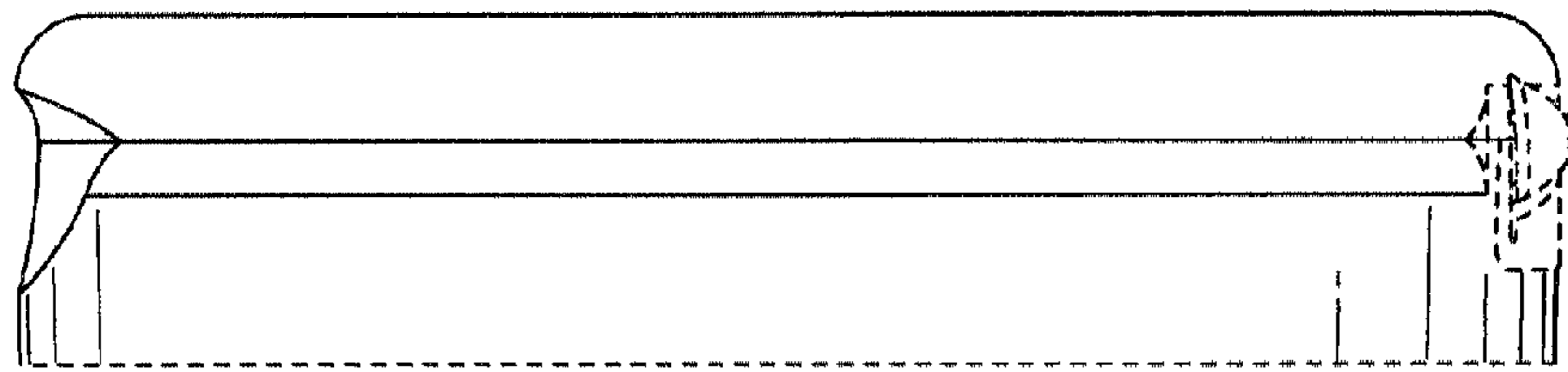


FIG. 9

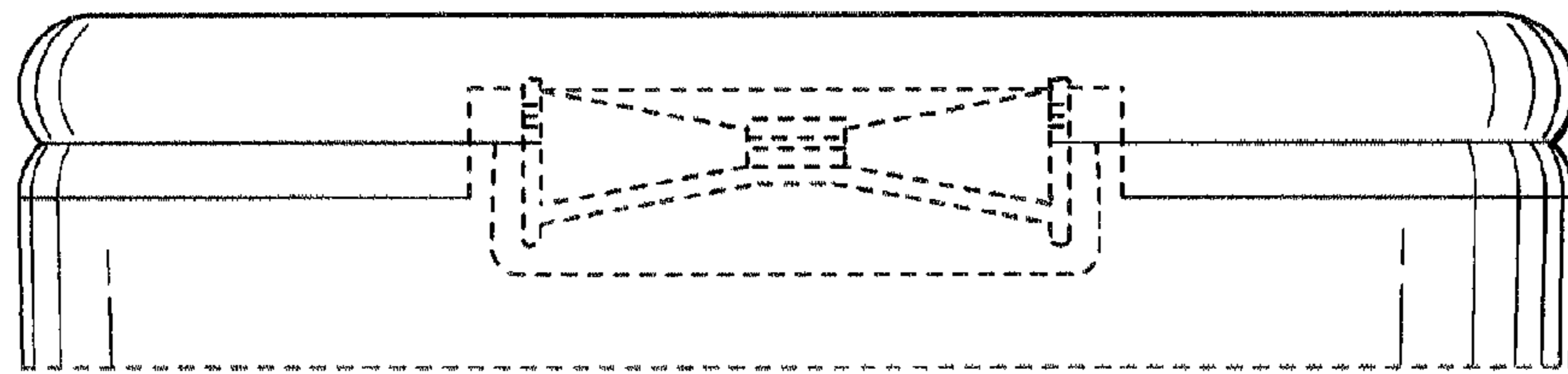


FIG. 10