



US00D661582S

(12) **United States Design Patent**
Gatrost et al.

(10) **Patent No.:** **US D661,582 S**
(45) **Date of Patent:** **** Jun. 12, 2012**

(54) **DISPENSING CLOSURE WITH HINGED LID**

(75) Inventors: **Thomas Gatrost**, Scottsdale, AZ (US);
Shannon Navarette Bowers, Phoenix,
AZ (US); **Keith Cardinal**, Gilbert, AZ
(US); **Kieron Tse**, Chicago, IL (US);
Daniel Perez, Chicago, IL (US)

(73) Assignee: **The Dial Corporation**, Scottsdale, AZ
(US)

(**) Term: **14 Years**

(21) Appl. No.: **29/378,021**

(22) Filed: **Oct. 28, 2010**

(51) **LOC (9) Cl.** **09-07**

(52) **U.S. Cl.** **D9/449; D9/447**

(58) **Field of Classification Search** D9/454,
D9/453, 449, 447, 442, 440, 435; D7/392.1;
222/556, 521, 494, 492; 220/837, 835, 820,
220/811, 810, 375, 260, 254.7, 254.3; 215/322,
215/321, 306, 305, 237, 235; 206/540, 539,
206/538, 216

See application file for complete search history.

(56) **References Cited**

U.S. PATENT DOCUMENTS

D468,639 S * 1/2003 Wennerstrom et al. D9/449
D476,892 S * 7/2003 Martin et al. D9/449
6,830,721 B2 * 12/2004 Martin 264/318

D542,132 S * 5/2007 Pugne D9/449
D628,887 S * 12/2010 Groubert et al. D9/449
D628,889 S * 12/2010 Groubert et al. D9/449
D628,890 S * 12/2010 Groubert et al. D9/449
D640,555 S * 6/2011 Williams et al. D9/449

* cited by examiner

Primary Examiner — Susan Bennett Hattan

(74) *Attorney, Agent, or Firm* — Pail A. Pappalardo

(57) **CLAIM**

The ornamental design for a dispensing closure with hinged lid, as shown and described.

DESCRIPTION

FIG. 1 is a rear perspective view of a dispensing closure with hinged lid, said lid being in an open position, embodying our new design;

FIG. 2 is a front elevation view thereof;

FIG. 3 is a rear elevation view thereof;

FIG. 4 is a right side elevation view thereof;

FIG. 5 is a left side elevation view thereof;

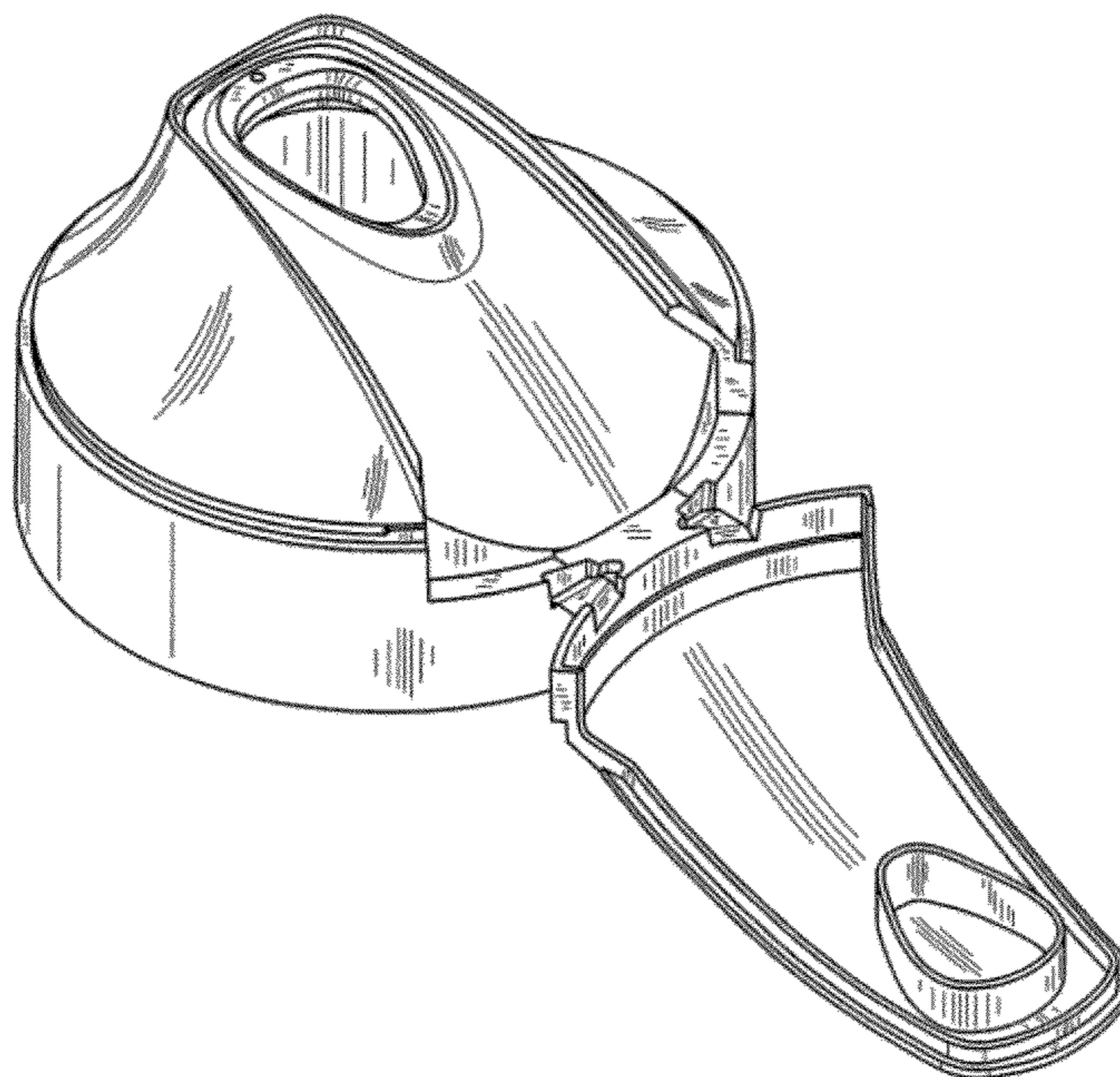
FIG. 6 is a top plan view thereof; and

FIG. 7 is a bottom plan view thereof; and,

FIG. 8 is a rear perspective view of a dispensing closure with hinged lid, said lid being in a closed position, embodying our new design.

The broken lines in FIG. 8 are included for the purpose of illustrating a portion of the dispensing closure with hinged lid that forms no part of the claimed design.

1 Claim, 8 Drawing Sheets



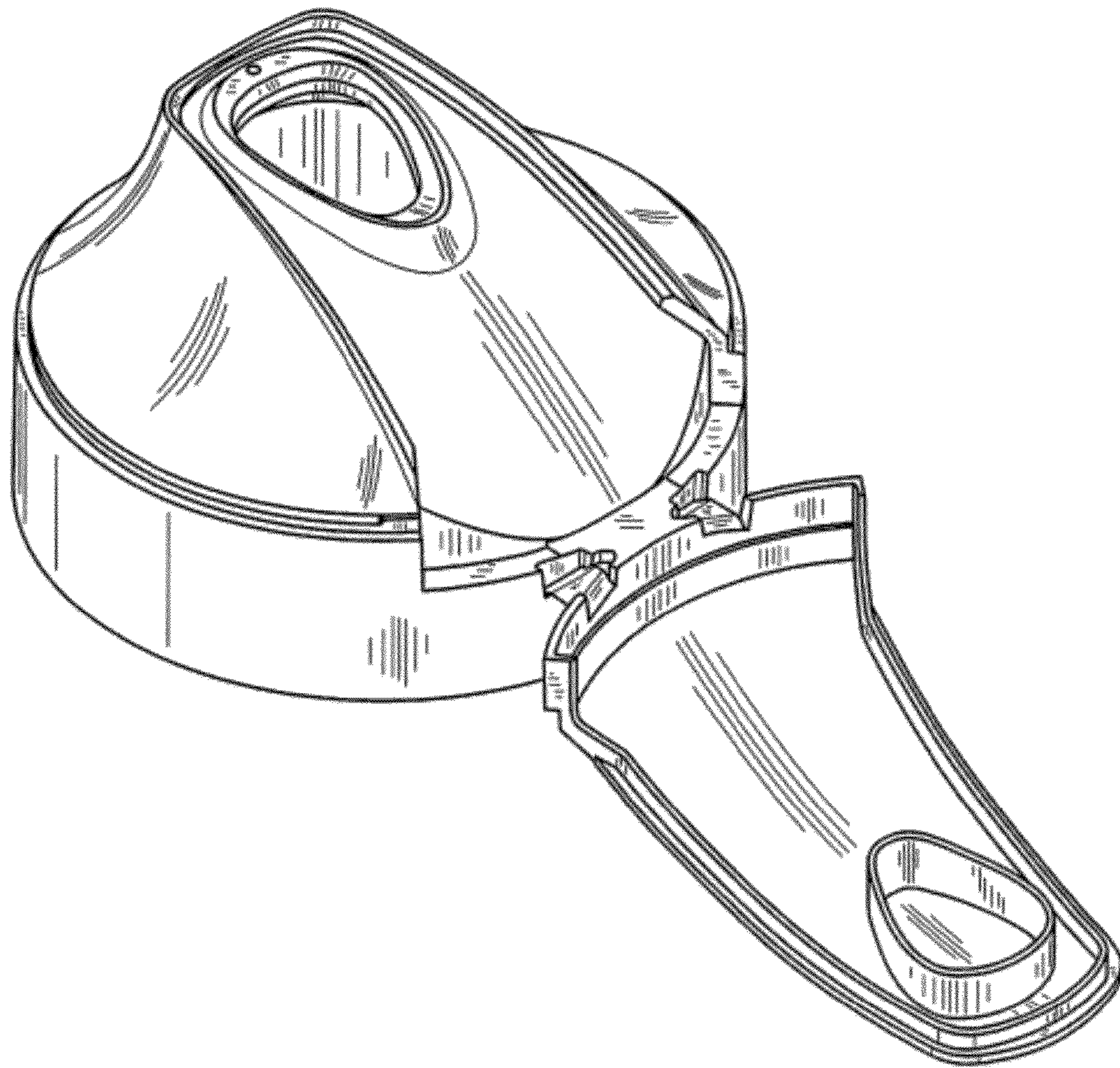


FIG. 1

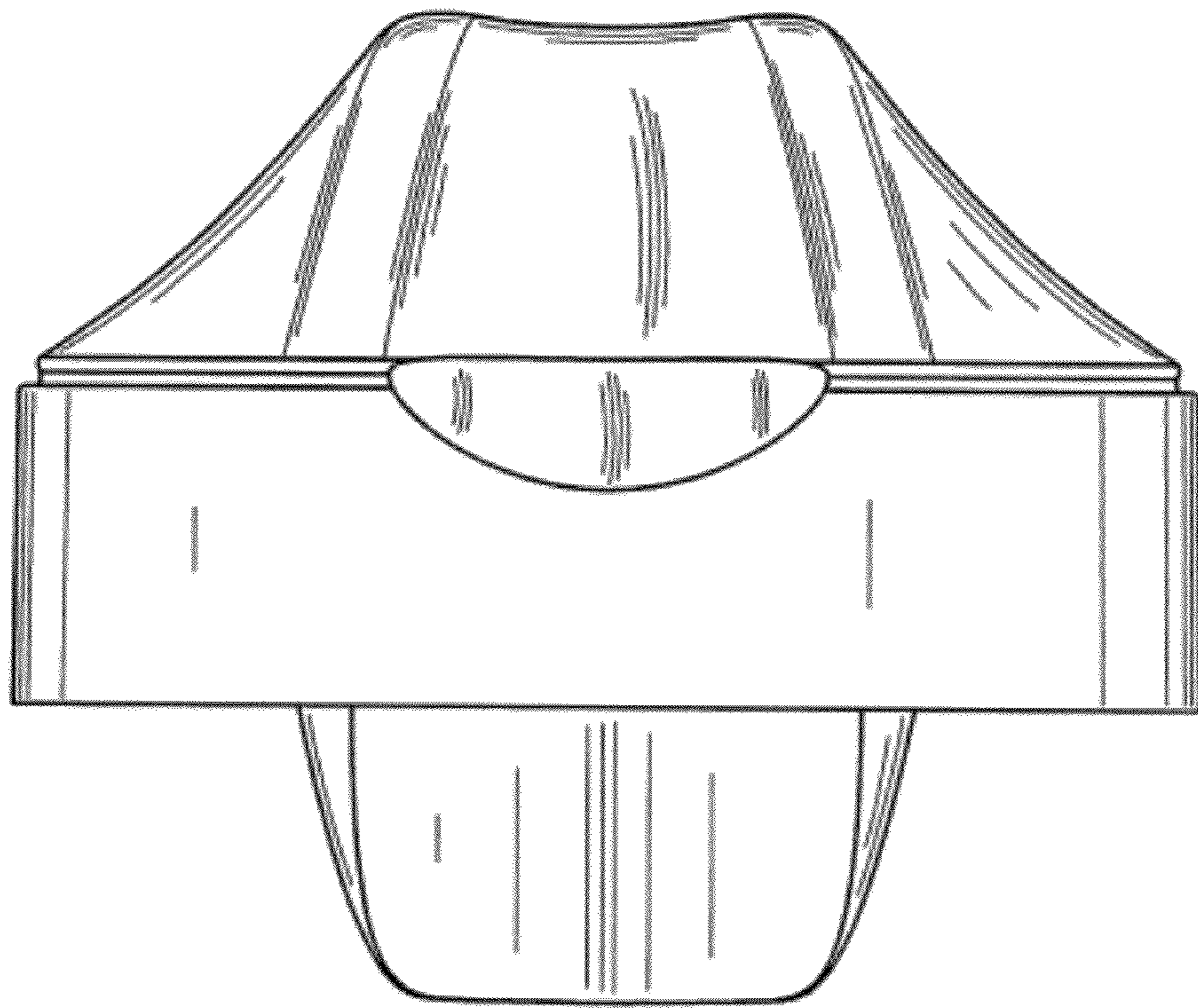


FIG.2

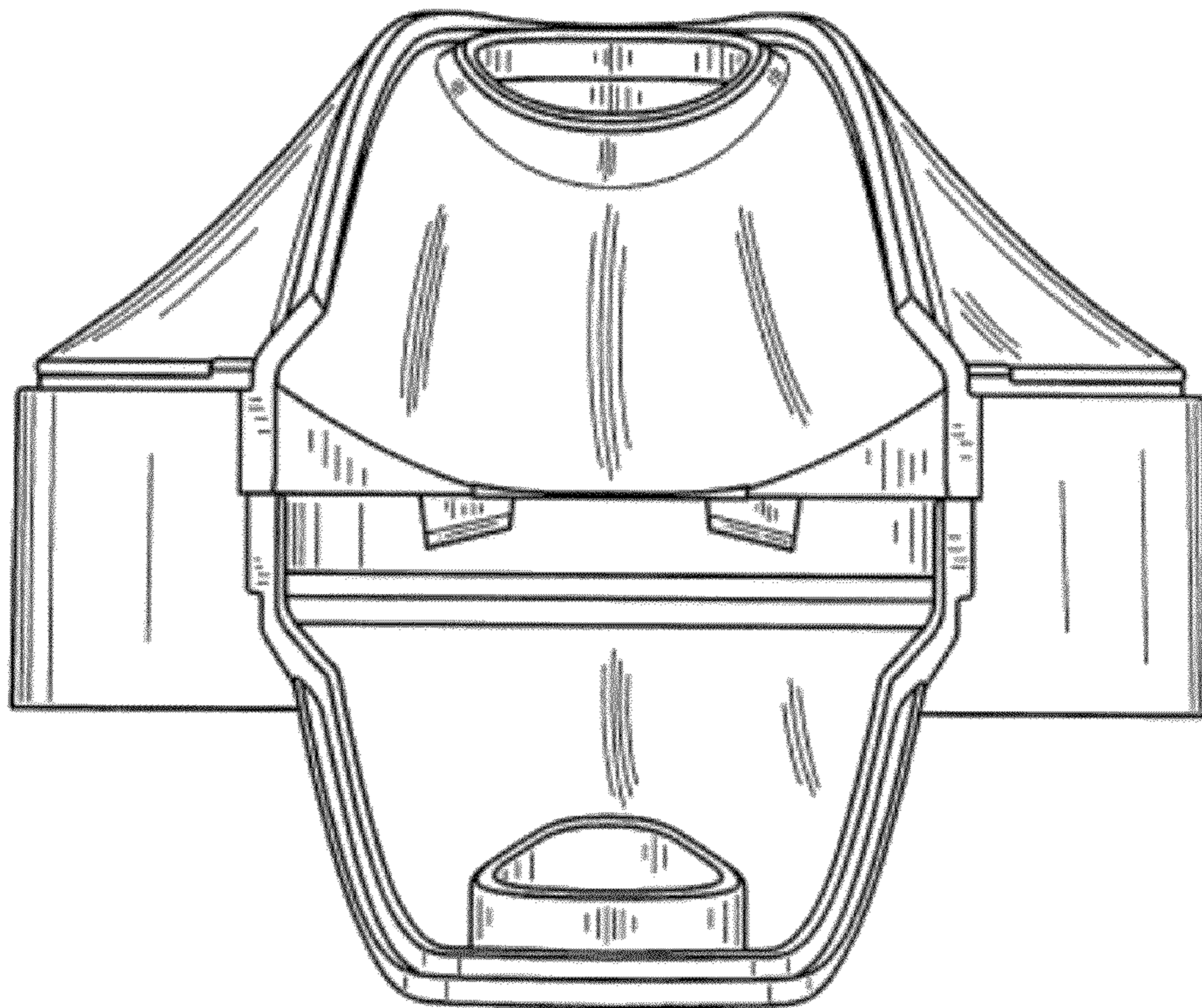


FIG.3

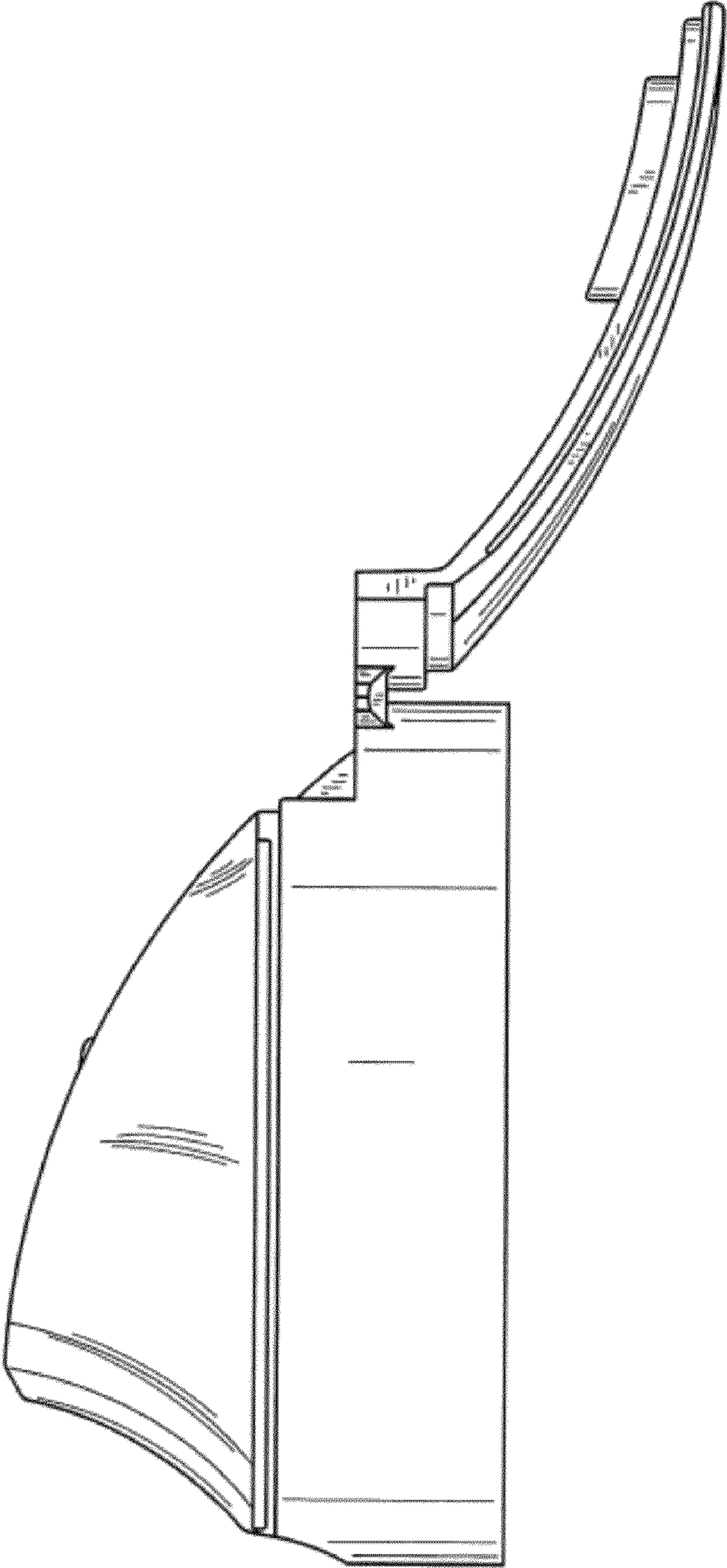


FIG.4

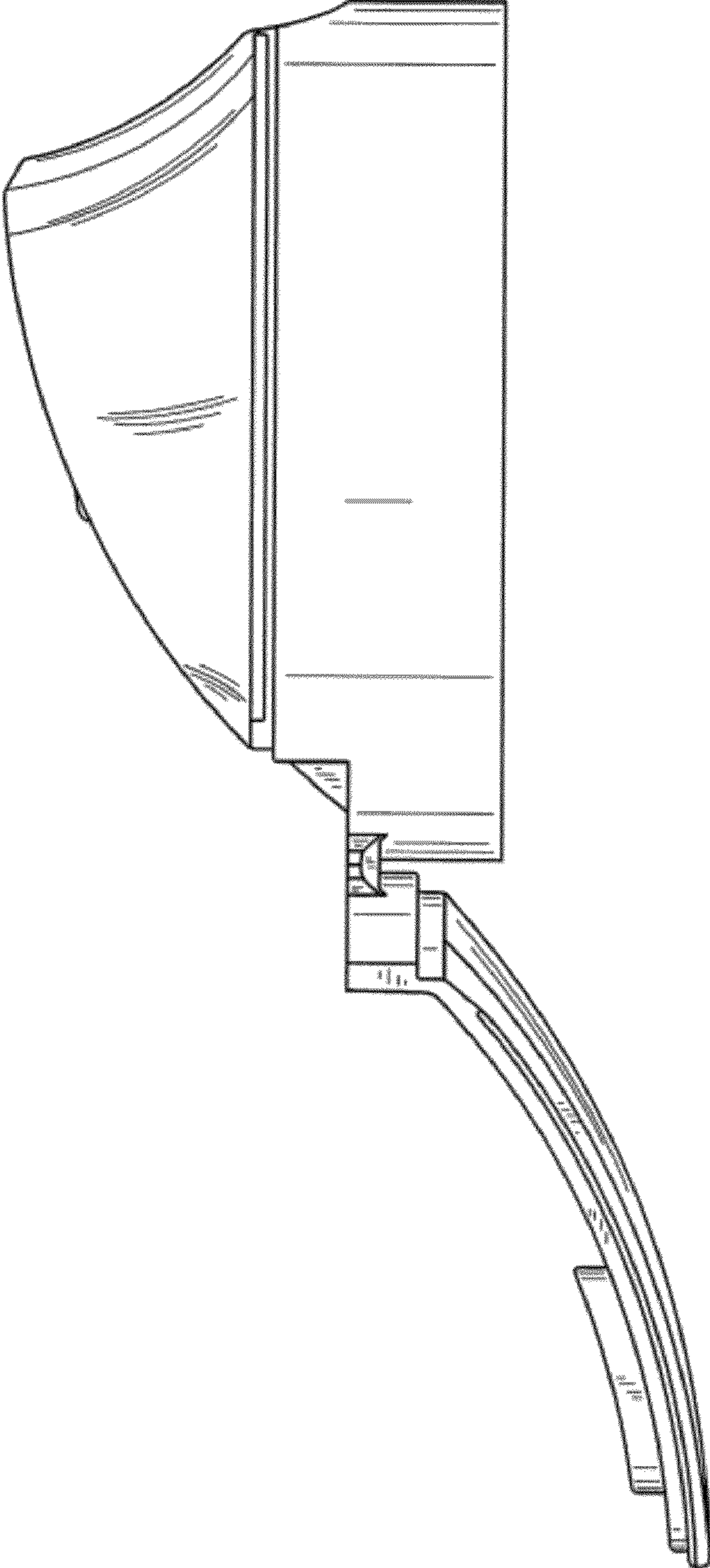


FIG.5

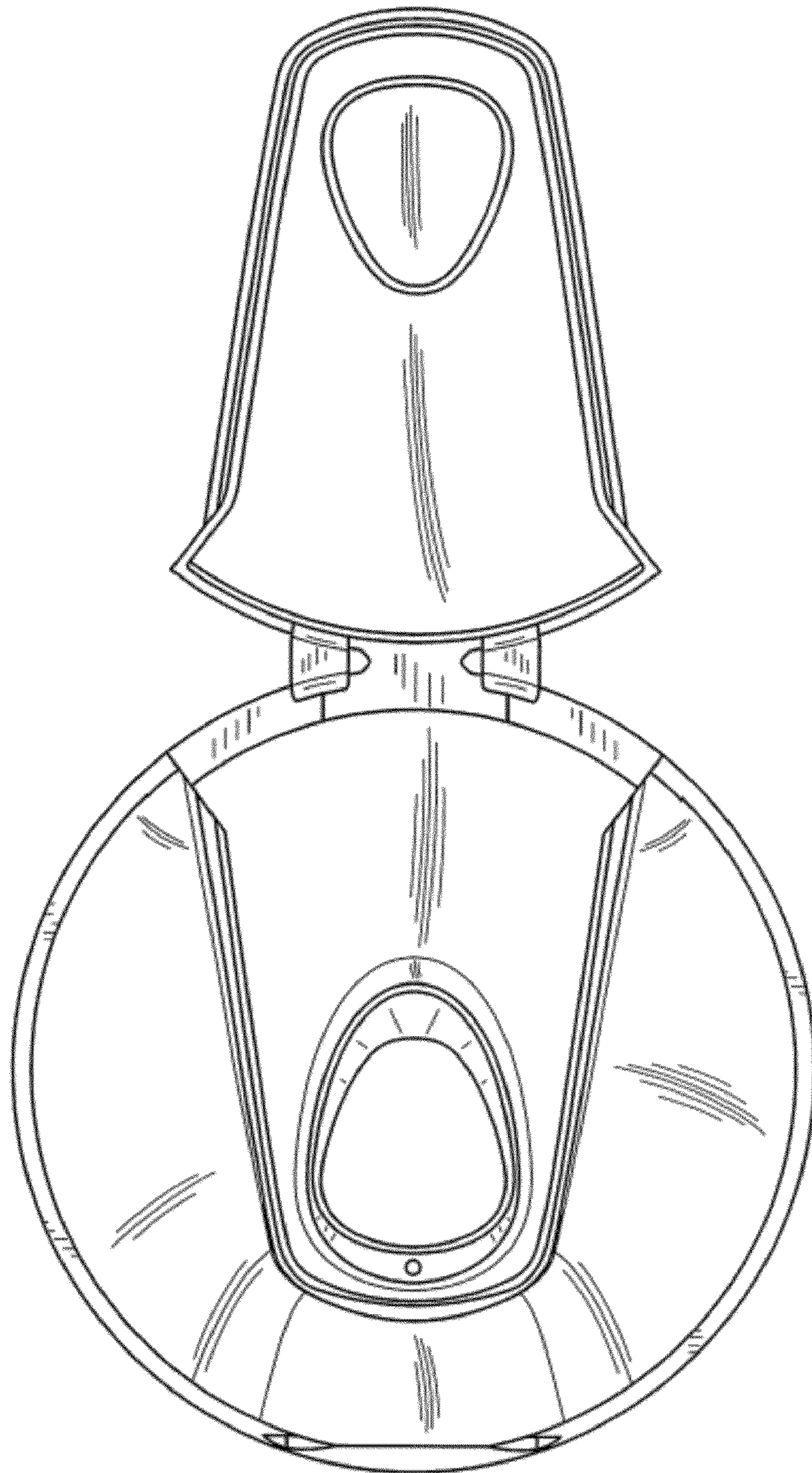


FIG.6

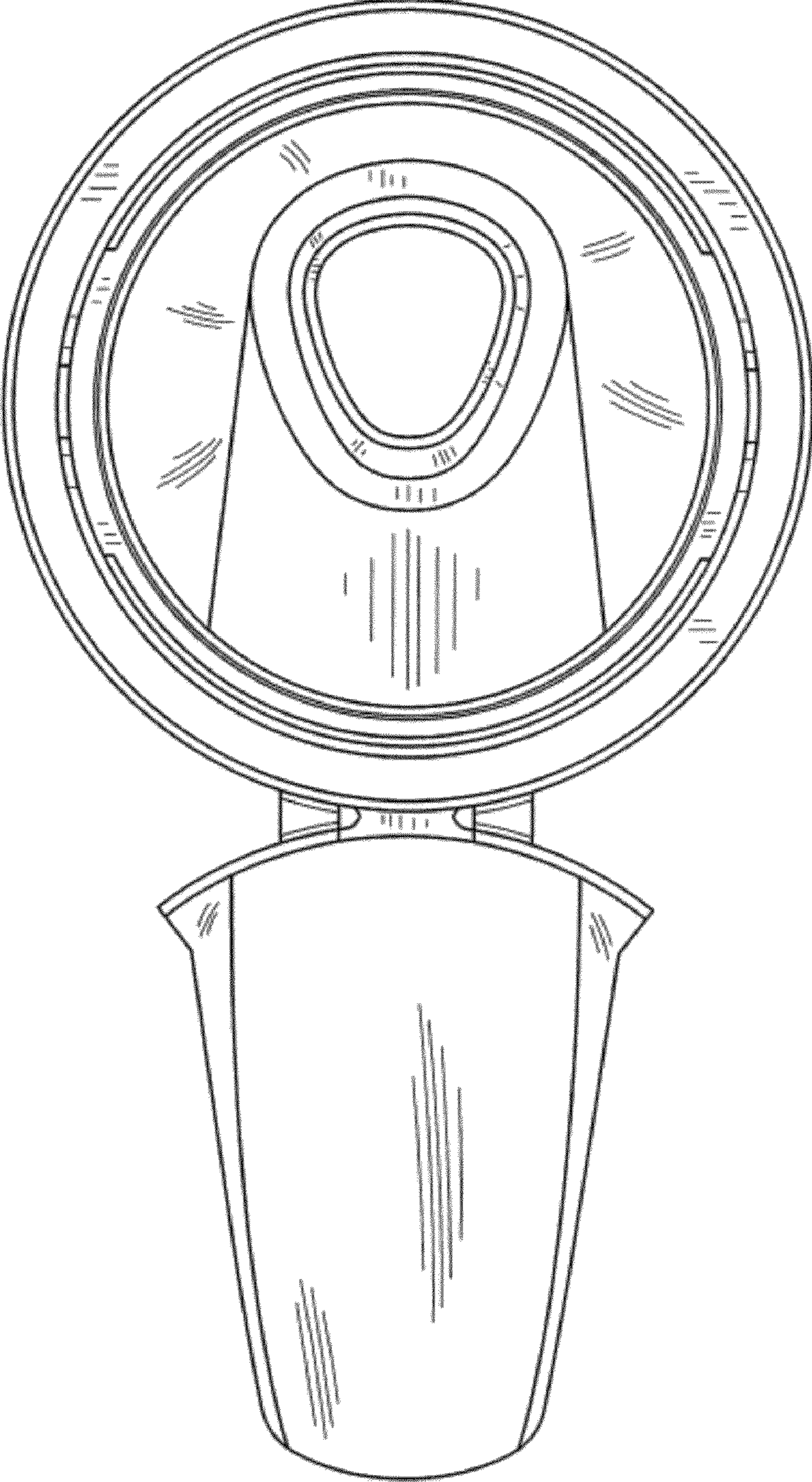


FIG.7

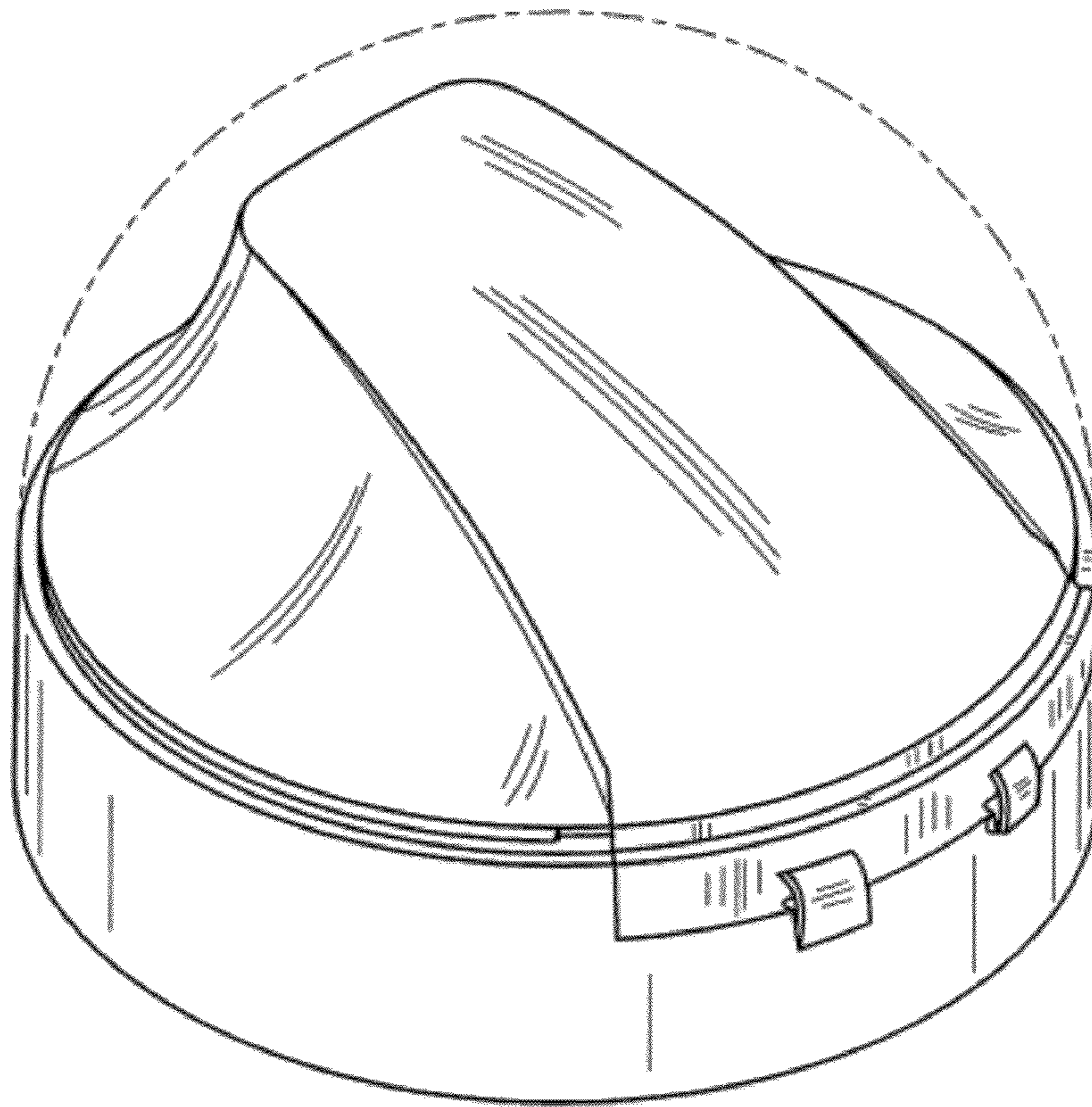


FIG.8