



US00D661580S

(12) **United States Design Patent**  
**Takizawa et al.**

(10) **Patent No.:** **US D661,580 S**  
(45) **Date of Patent:** **\*\* Jun. 12, 2012**

(54) **SPRAY HEAD FOR A CONTAINER**

(75) Inventors: **Osamu Takizawa**, Tokyo (JP); **Kazuya Uesawa**, Tokyo (JP)

(73) Assignee: **Mitani Valve Co., Ltd.**, Tokyo (JP)

(\*\*) Term: **14 Years**

(21) Appl. No.: **29/379,347**

(22) Filed: **Nov. 18, 2010**

(30) **Foreign Application Priority Data**

Sep. 15, 2010 (JP) ..... 2010-22260

(51) **LOC (9) Cl.** ..... **09-07**

(52) **U.S. Cl.** ..... **D9/448; D9/450**

(58) **Field of Classification Search** ..... D9/692,  
D9/685, 682, 669, 667, 631, 451, 450, 448,  
D9/434, 432, 430, 414; D23/226, 225; 239/526,  
239/492, 333, 112; 222/402.15, 402.13,  
222/383.1, 334, 331, 321.8, 182

See application file for complete search history.

(56) **References Cited**

**U.S. PATENT DOCUMENTS**

D196,819 S *	11/1963	Huling	.....	D9/448
D204,831 S *	5/1966	Goldberg	.....	D9/448
D333,787 S *	3/1993	Hirst et al.	.....	D9/448
D364,339 S *	11/1995	Shurtleff	.....	D9/692
D481,305 S *	10/2003	Walters et al.	.....	D9/685

\* cited by examiner

*Primary Examiner* — Susan Bennett Hattan

(74) *Attorney, Agent, or Firm* — Lucas & Mercanti, LLP

(57) **CLAIM**

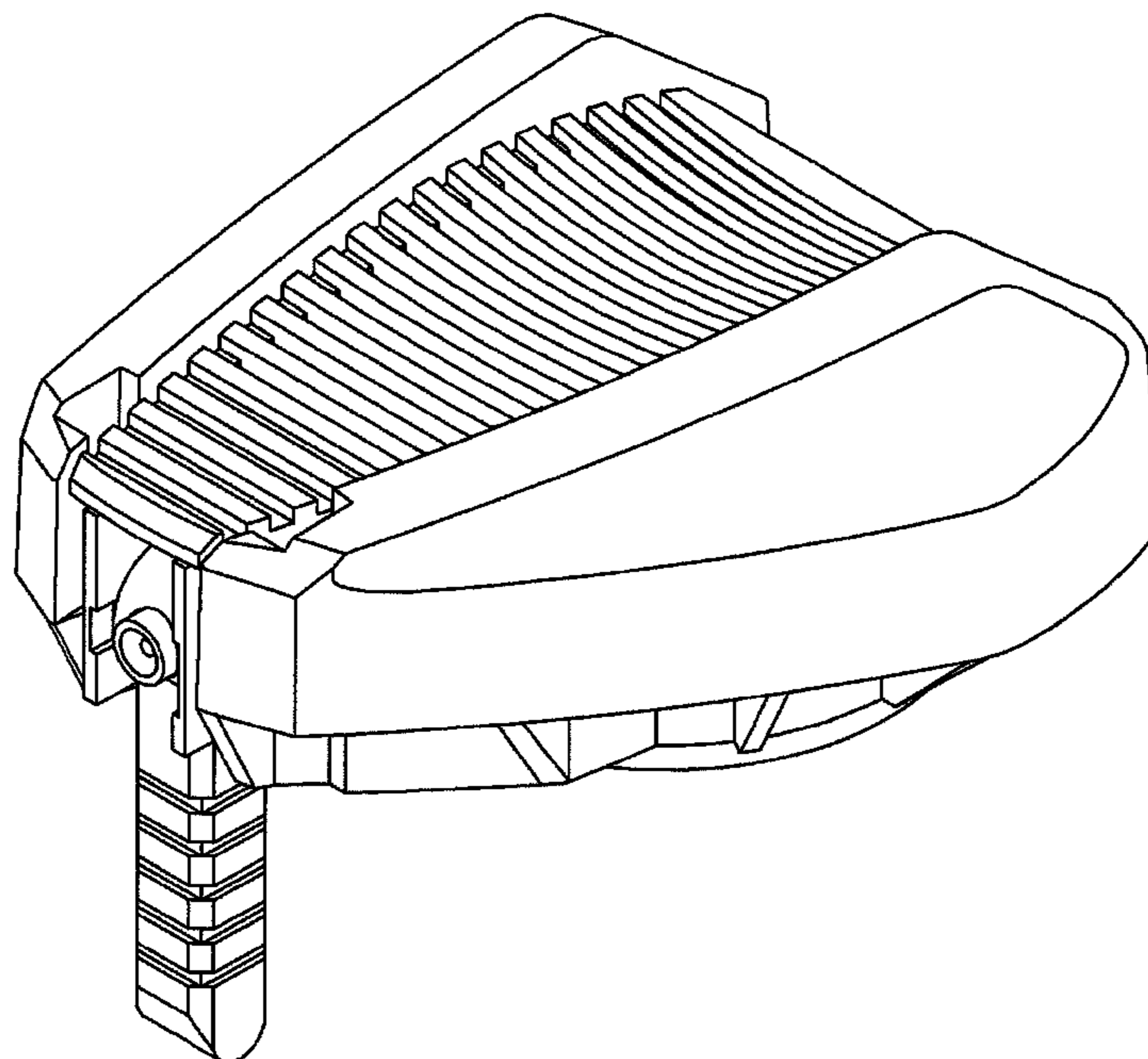
The ornamental design for a spray head for a container, as shown and described.

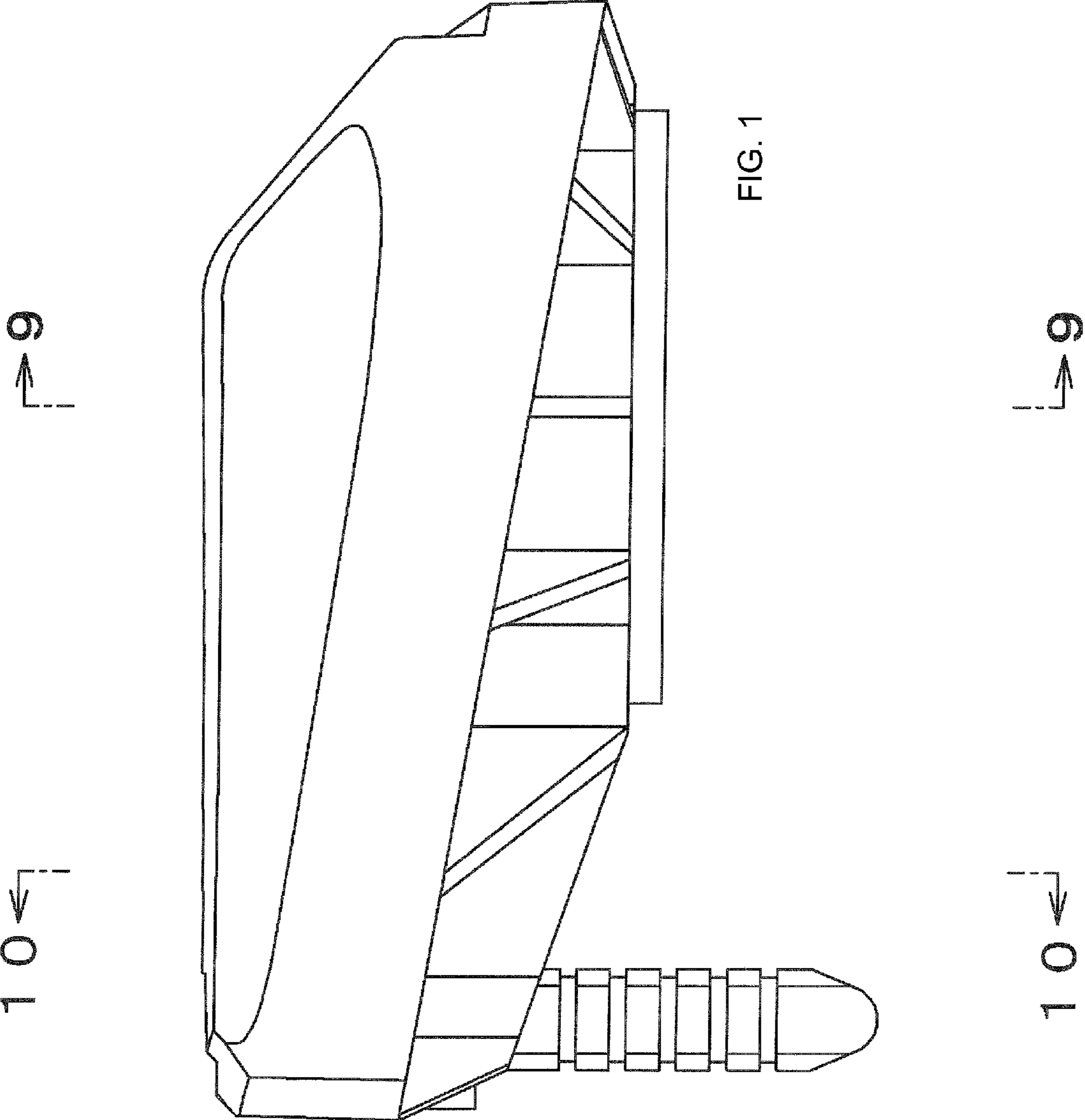
**DESCRIPTION**

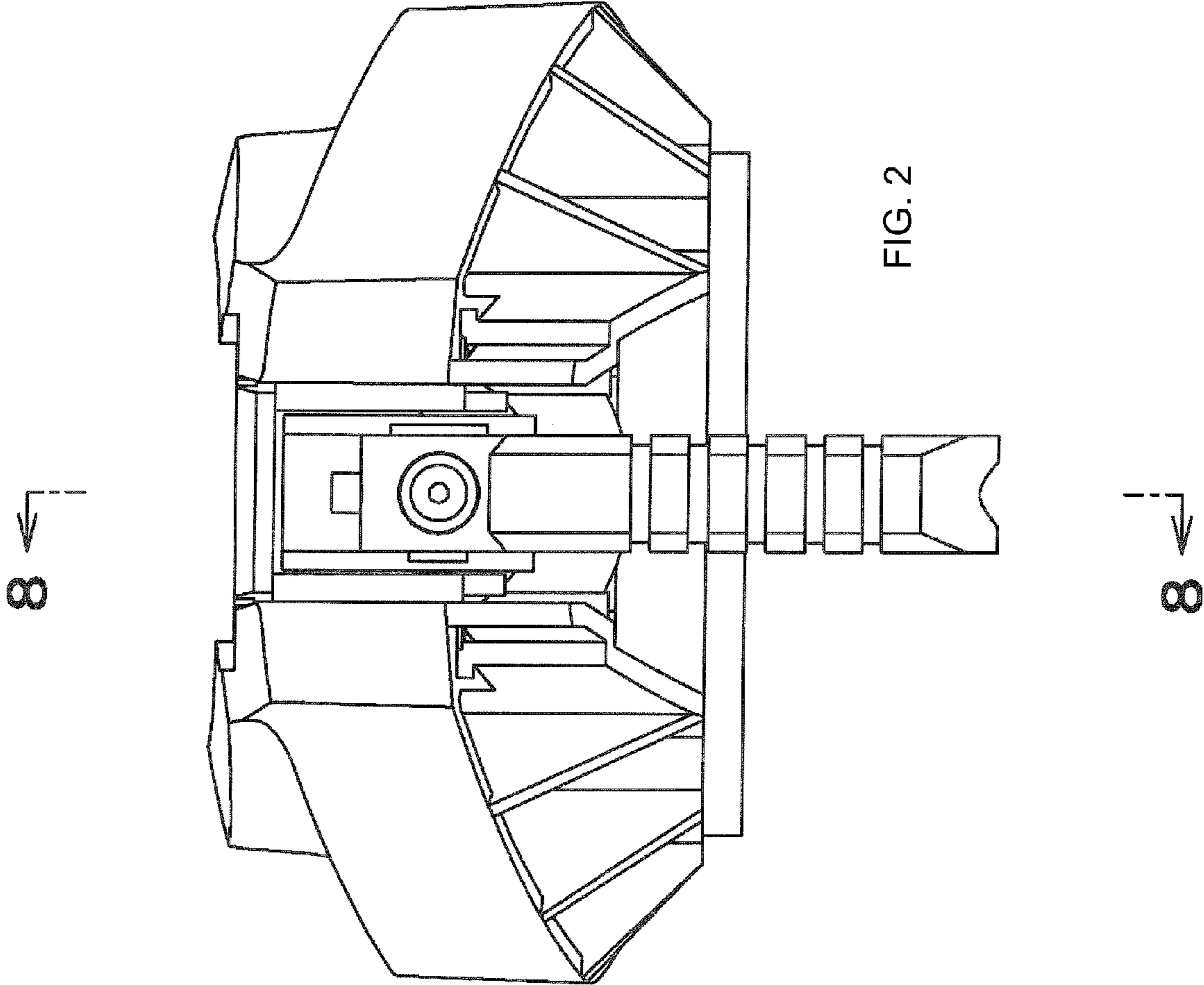
FIG. 1 is a front elevation view of a spray head far a container showing my new design;  
 FIG. 2 is a left side elevation view thereof;  
 FIG. 3 is a right side elevation view thereof;  
 FIG. 4 is a top plan view thereof;  
 FIG. 5 is a bottom plan view thereof;  
 FIG. 6 is a top, front and left perspective view thereof;  
 FIG. 7 is a bottom, rear and right perspective view thereof;  
 FIG. 8 is a cross-sectional view along Line 8-8 of FIG. 2;  
 FIG. 9 is a cross-sectional view along Line 9-9 of FIG. 1;  
 FIG. 10 is a cross-sectional view along Line 10-10 of FIG. 1;  
 FIG. 11 is a front elevation view thereof with a horizontally extending long nozzle attachment part;  
 FIG. 12 is a left side elevation view thereof with the horizontally extending long nozzle attachment part;  
 FIG. 13 is a right side elevation view thereof with the horizontally extending long nozzle attachment part;  
 FIG. 14 is a top plan view thereof with the horizontally extending long nozzle attachment part;  
 FIG. 15 is a bottom plan view thereof with the horizontally extending long nozzle attachment part;  
 FIG. 16 is a cross-sectional view along Line 16-16 of FIG. 12;  
 FIG. 17 is a reference view thereof incorporated with a container in a non-use position with a long nozzle connected to the long nozzle attachment part; and,  
 FIG. 18 is a reference view thereof incorporated with a container in a use position with a long nozzle connected to the long nozzle attachment part.

The broken lines in the drawing depict environmental subject matter only and form no part of the claimed design.

**1 Claim, 18 Drawing Sheets**







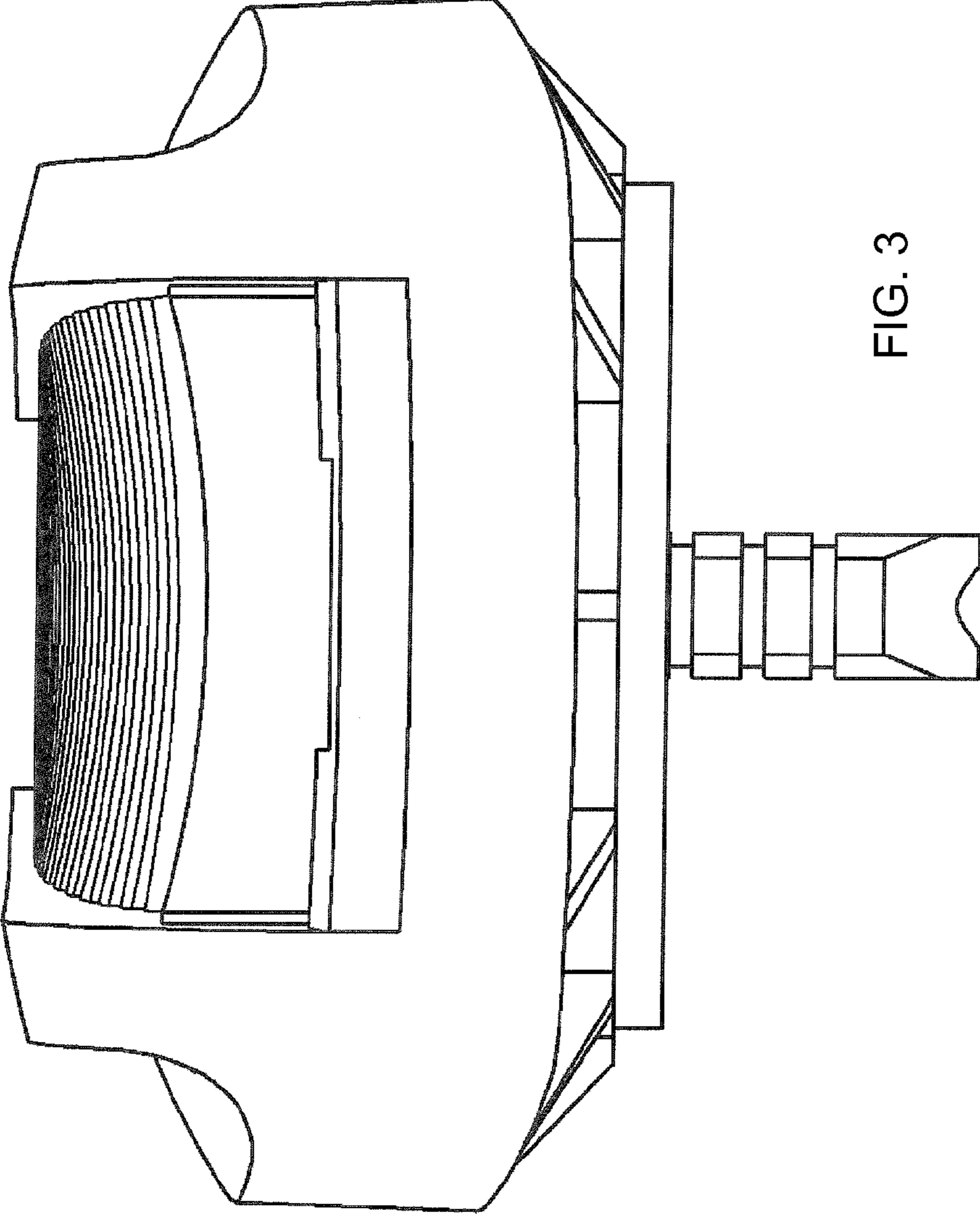


FIG. 3

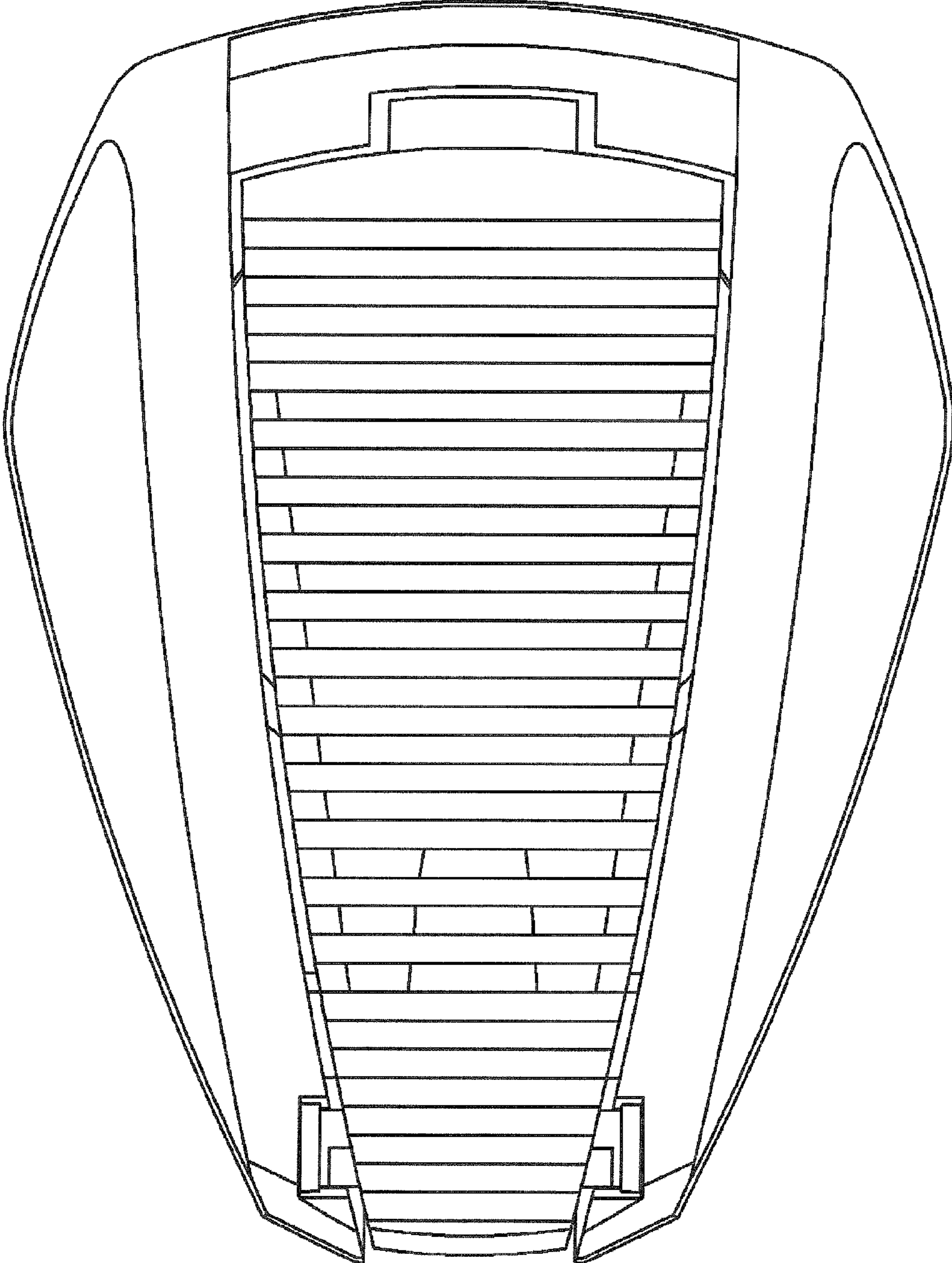


FIG. 4

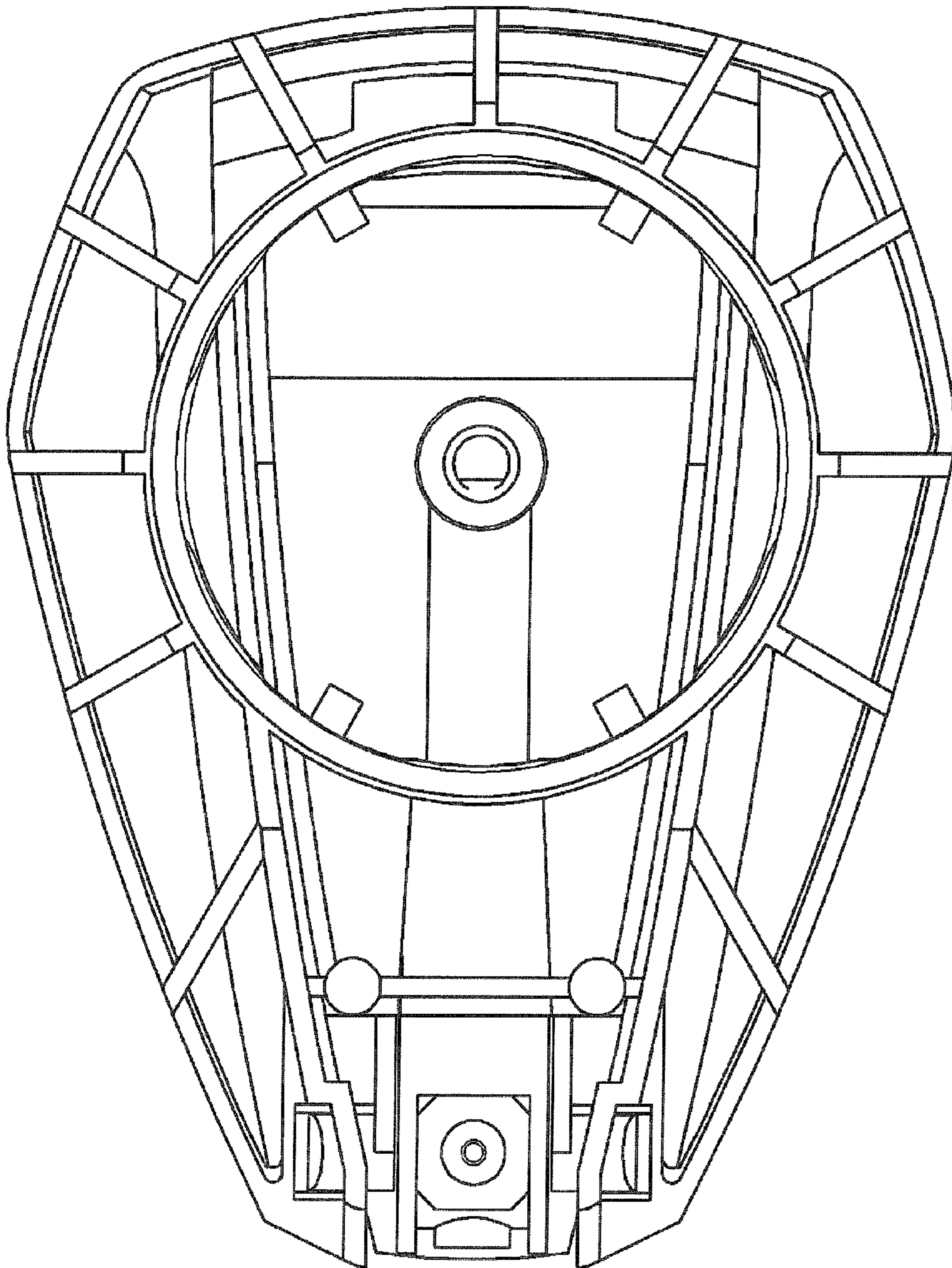


FIG. 5

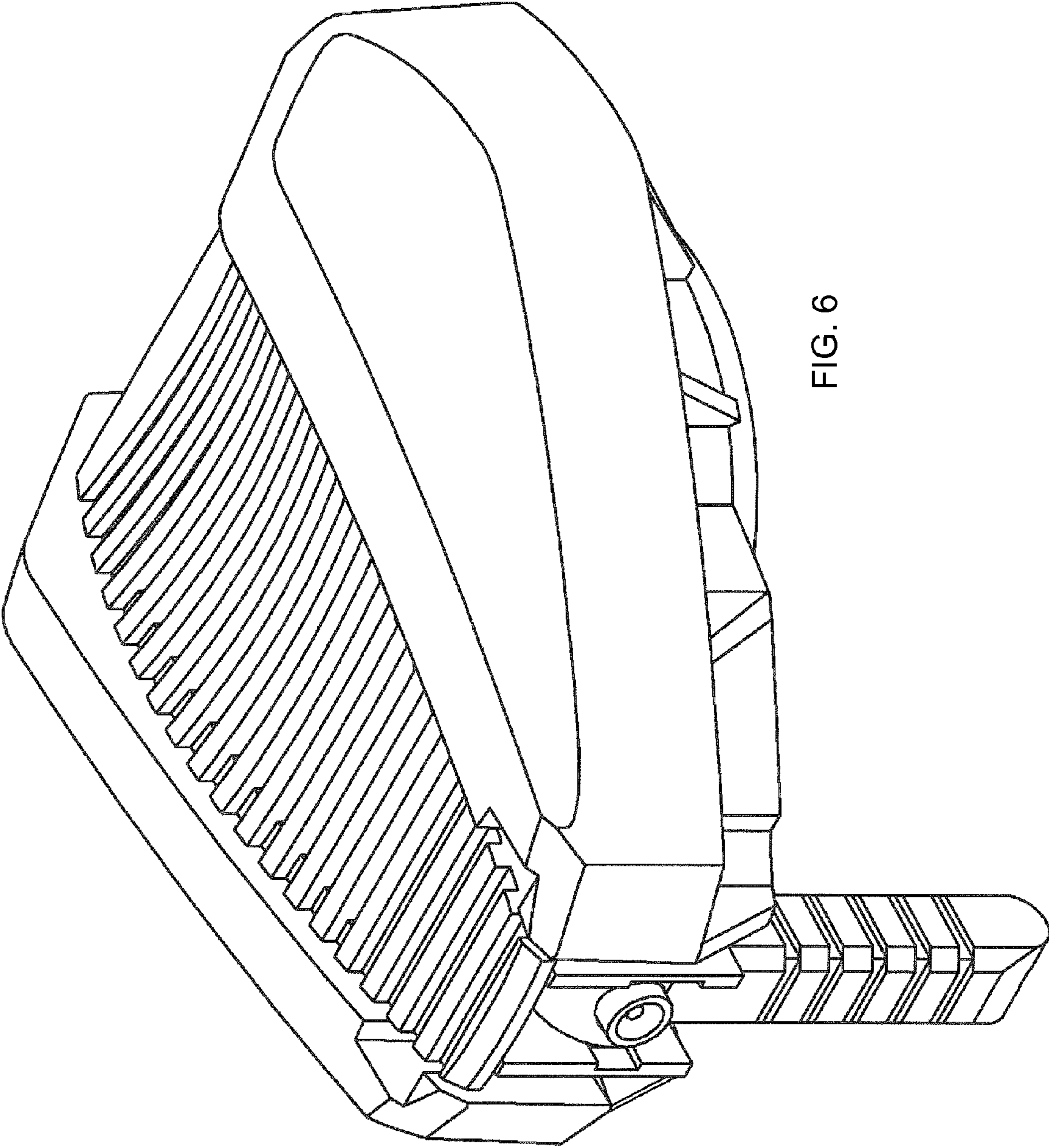


FIG. 6

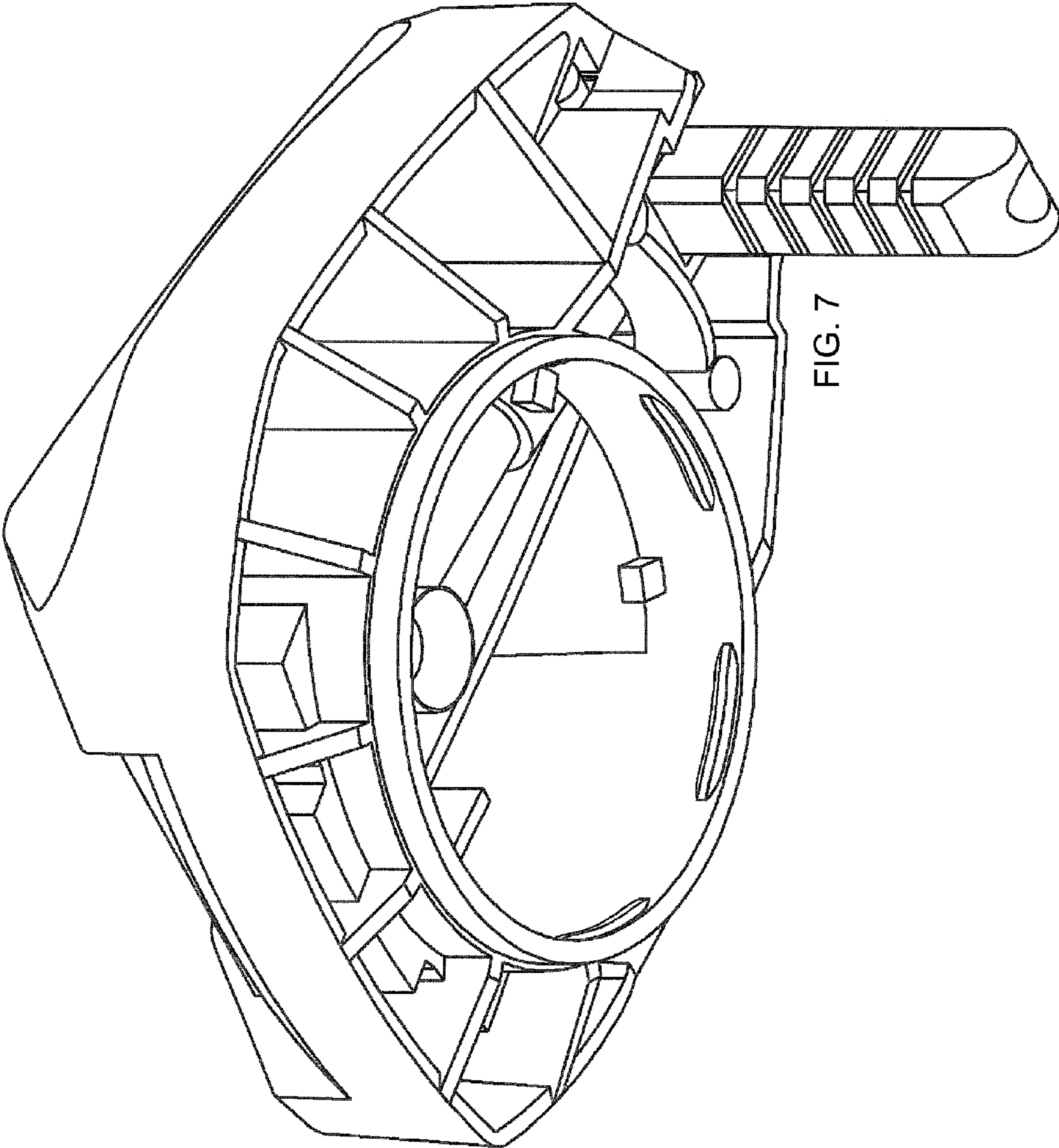


FIG. 7



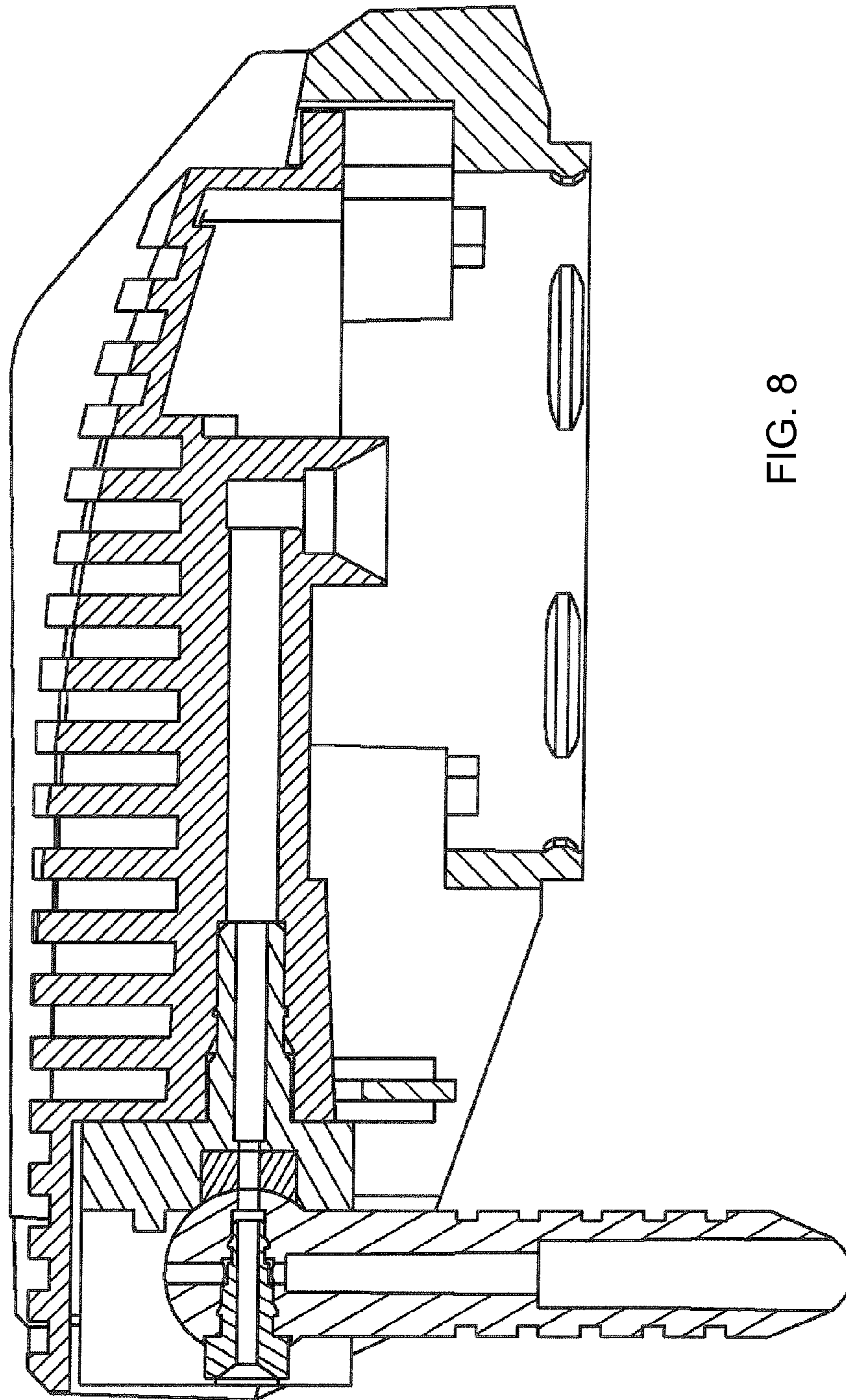


FIG. 8

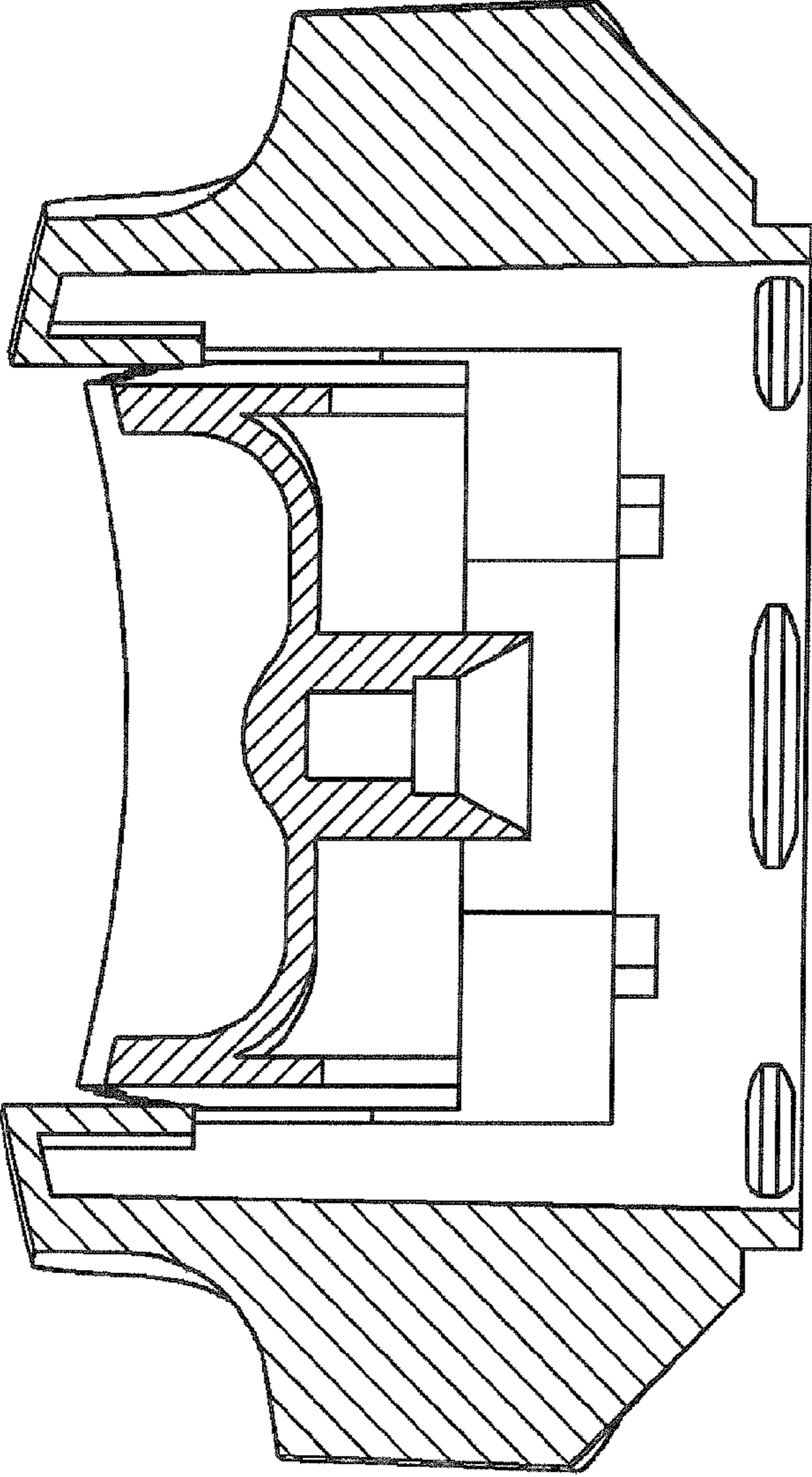


FIG. 9

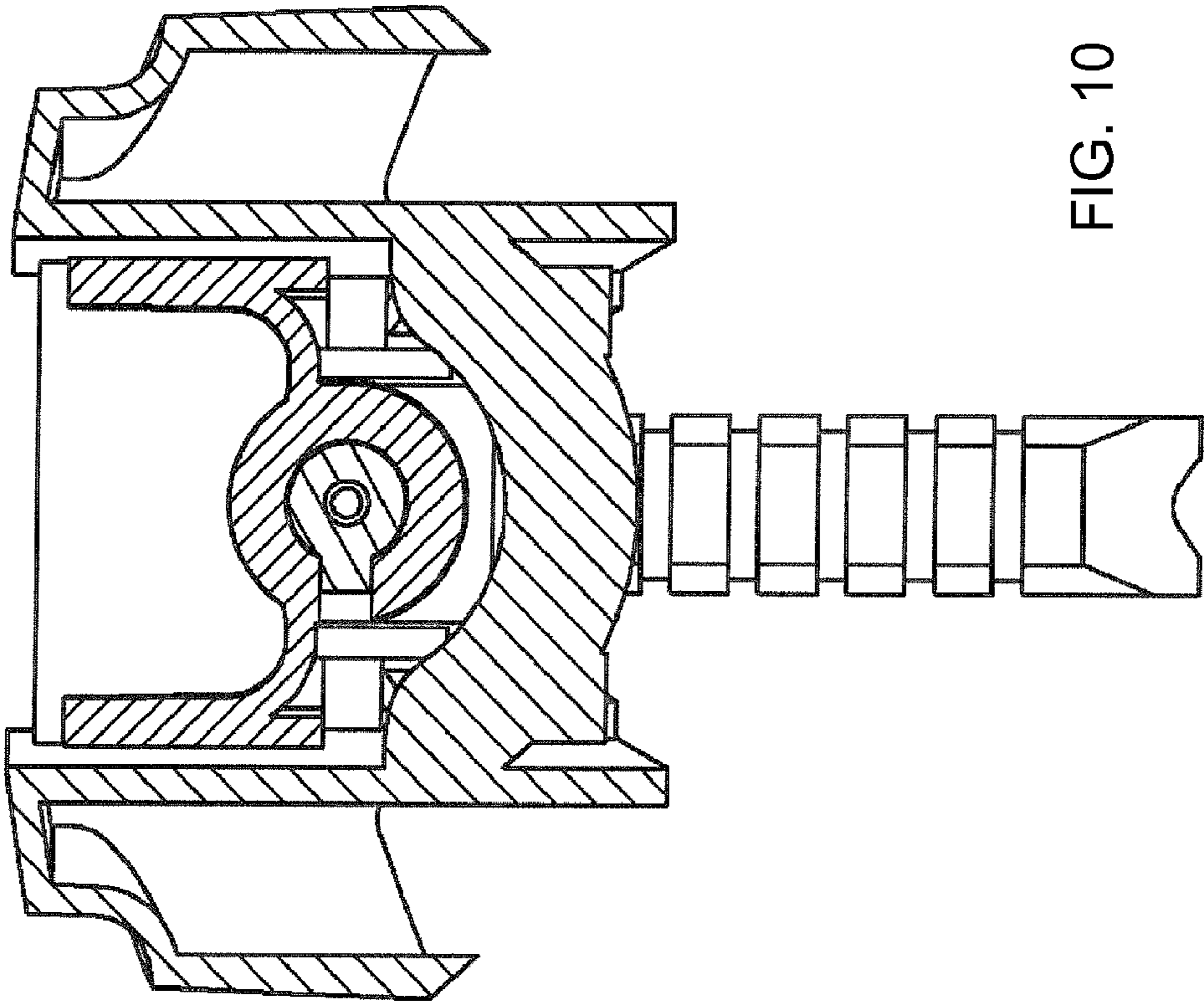


FIG. 10

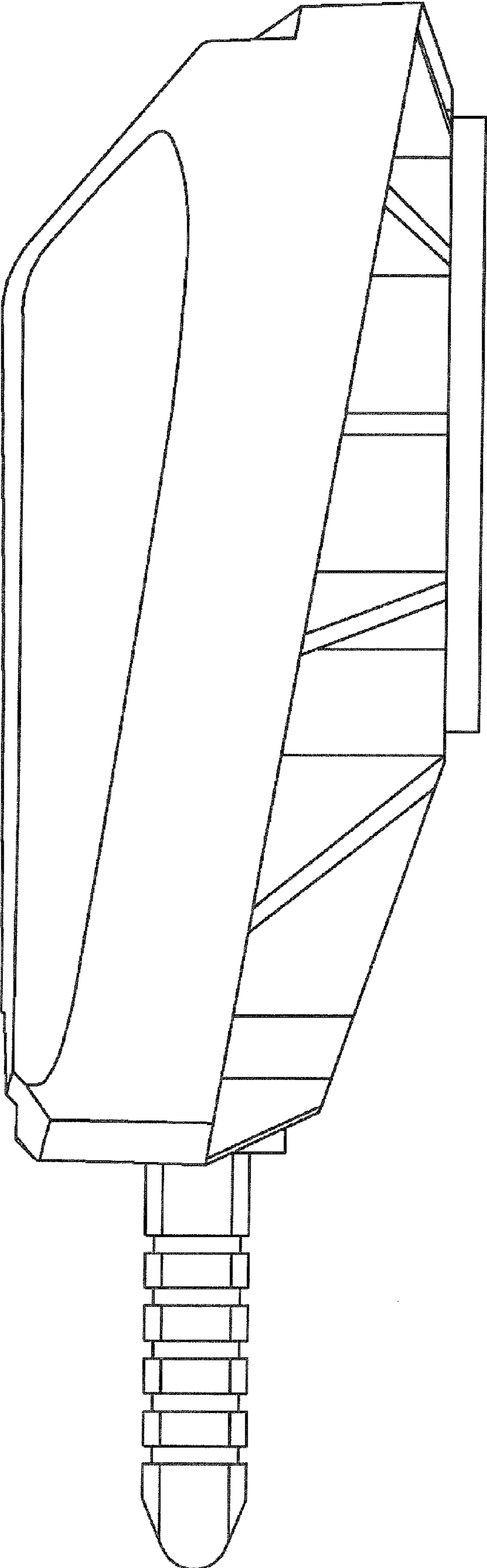
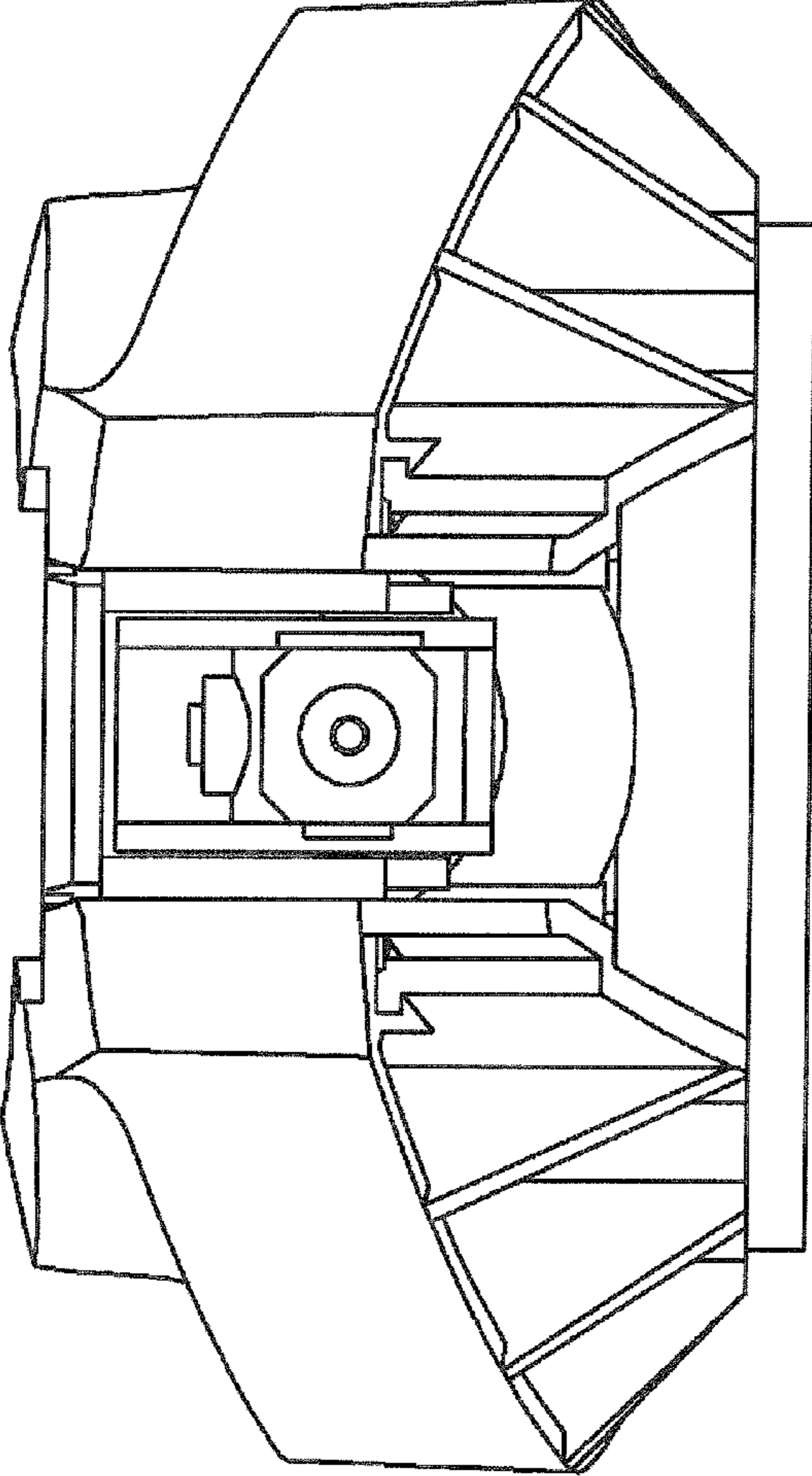


FIG. 11

16 ←



16 ←

FIG. 12

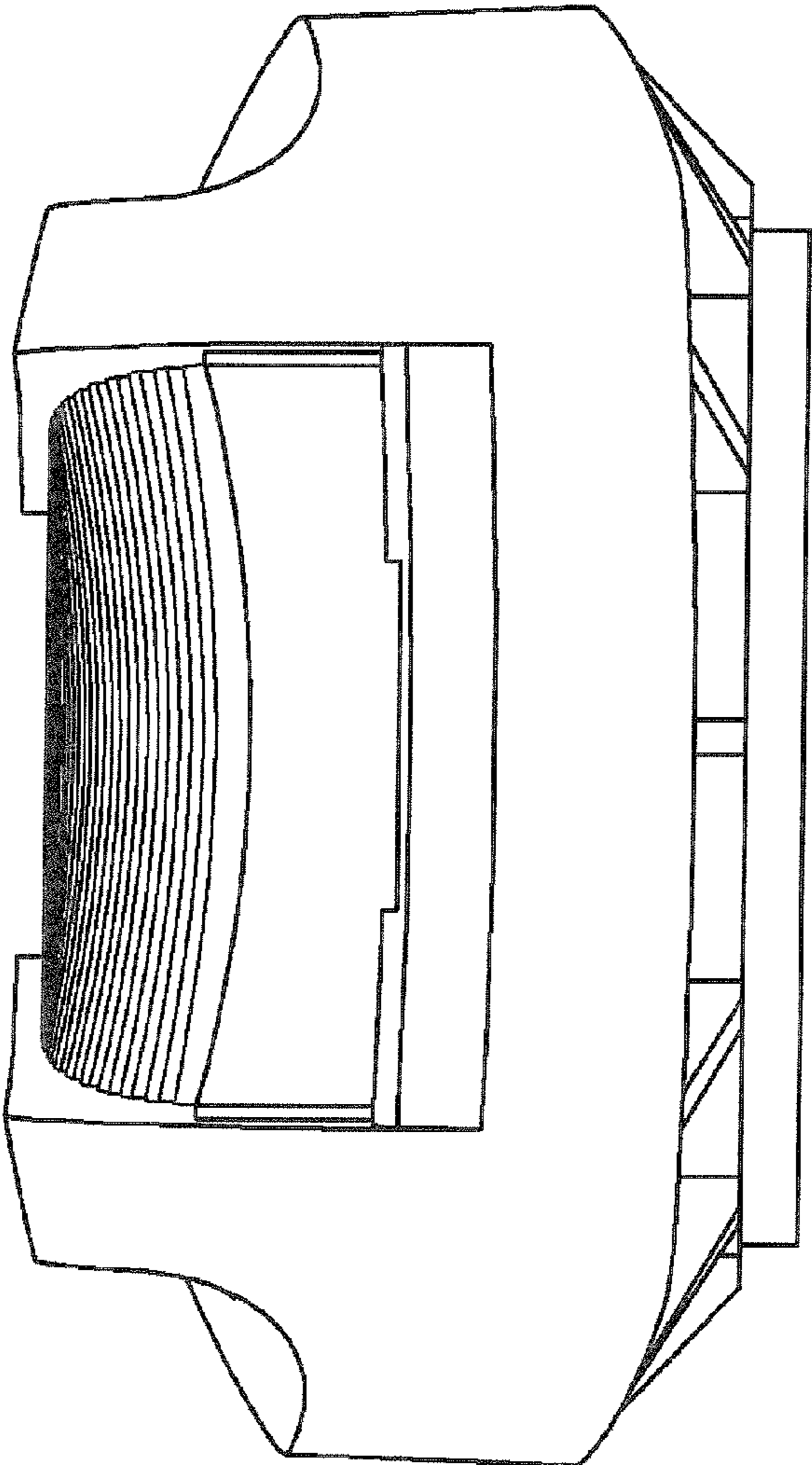


FIG. 13

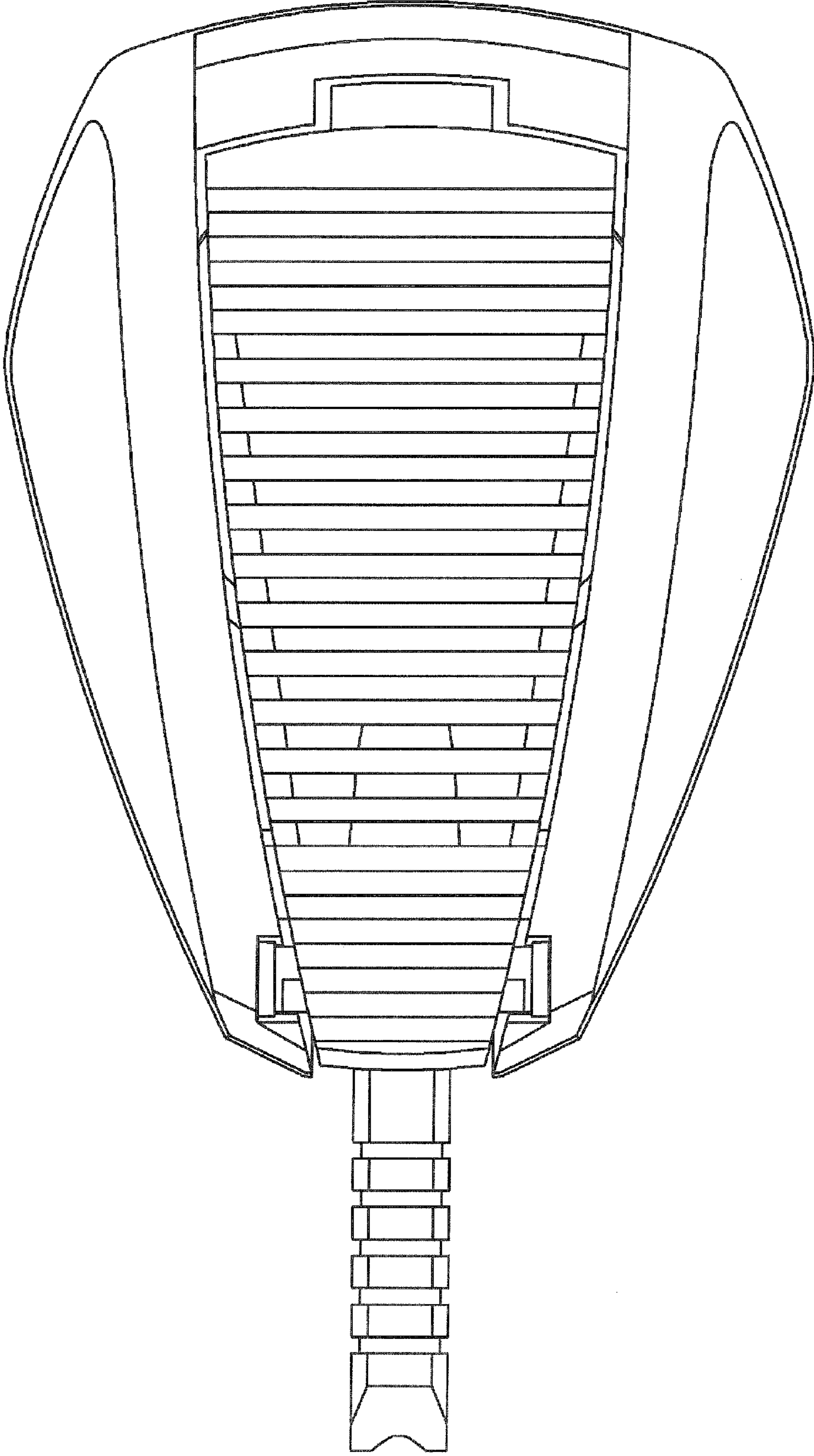


FIG. 14

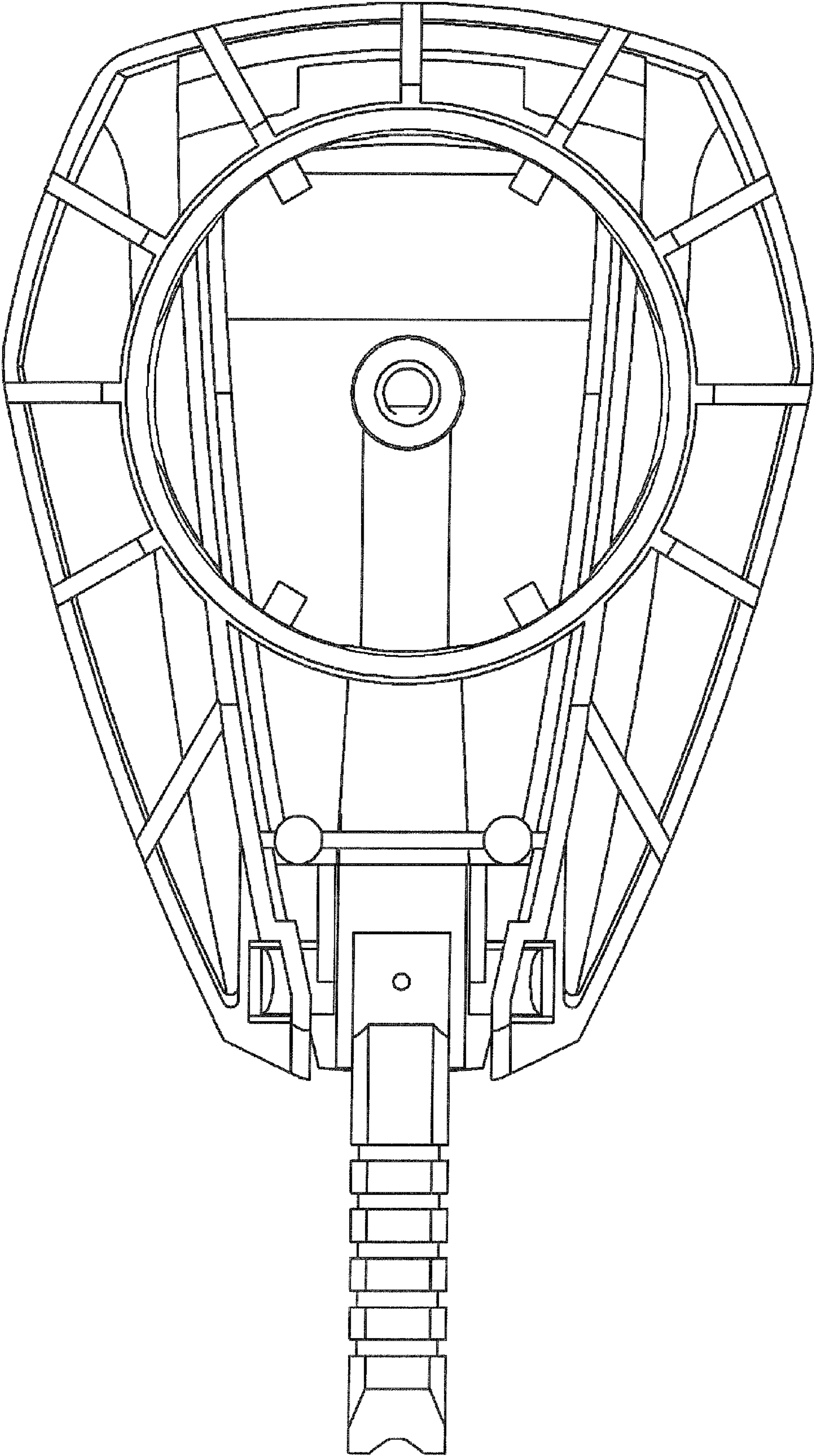


FIG. 15



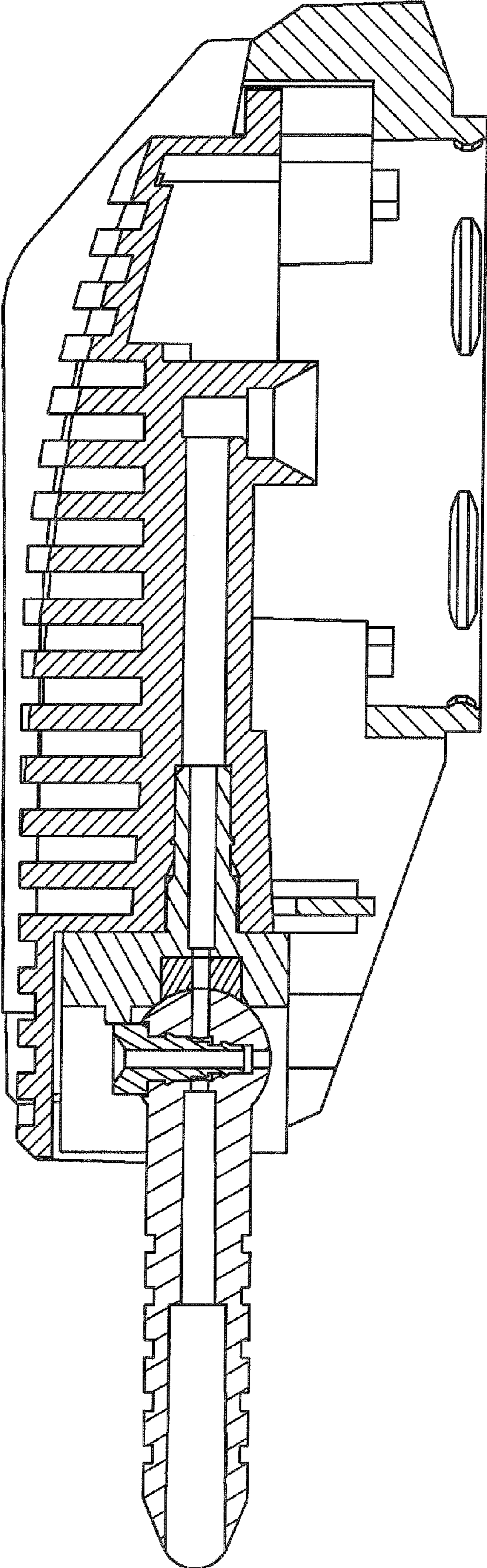


FIG. 16

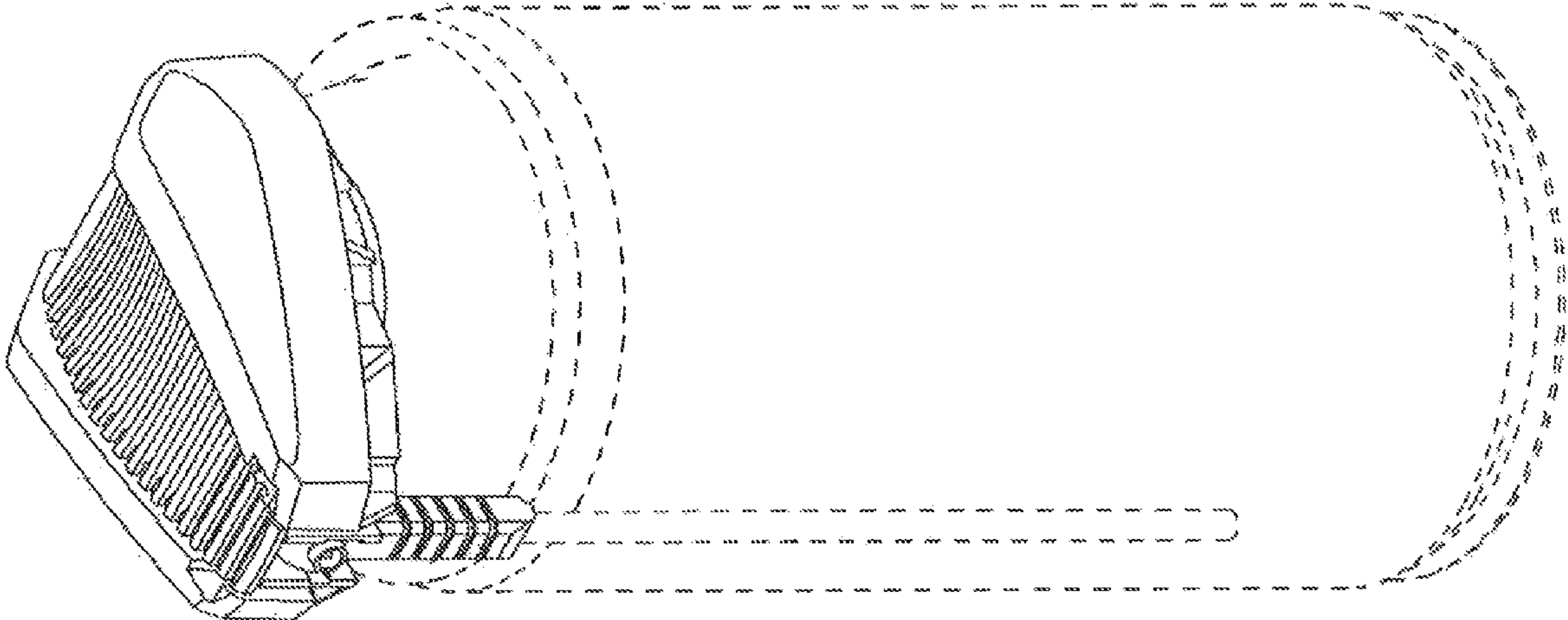


FIG. 17

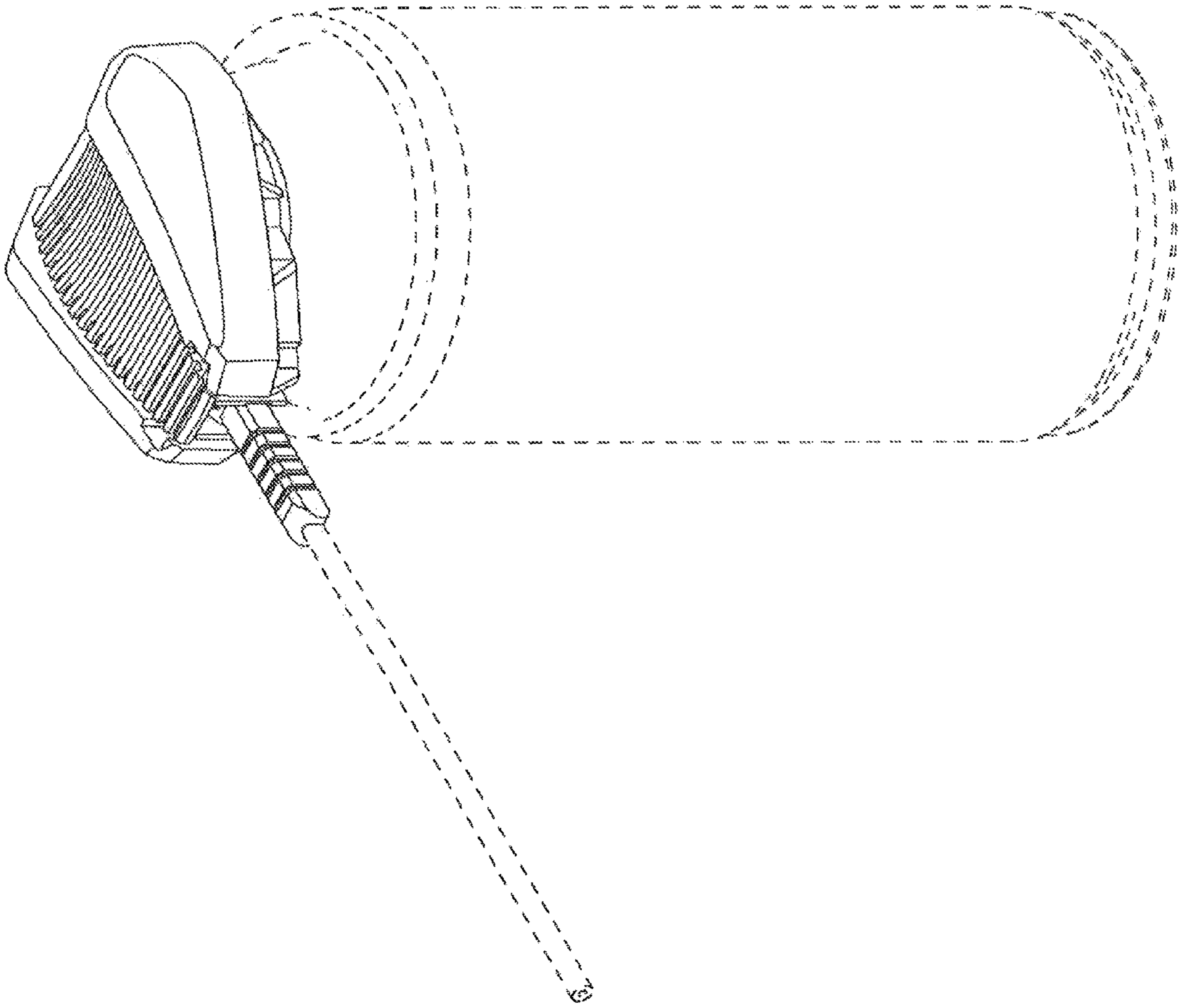


FIG. 18