



US00D661576S

(12) **United States Design Patent**
Mathur

(10) **Patent No.:** **US D661,576 S**
(45) **Date of Patent:** **** *Jun. 12, 2012**

- (54) **SEISMIC TRANSITION JOINT CLIP FOR SUSPENSION CEILING SYSTEM**
- (75) Inventor: **Monika Mathur**, Conshohocken, PA (US)
- (73) Assignee: **Certainteed Corporation**, Valley Forge, PA (US)
- (*) Notice: This patent is subject to a terminal disclaimer.
- (**) Term: **14 Years**
- (21) Appl. No.: **29/408,630**
- (22) Filed: **Dec. 14, 2011**
- (51) **LOC (9) Cl.** **08-08**
- (52) **U.S. Cl.** **D8/394; D8/380**
- (58) **Field of Classification Search** D8/356, D8/371, 394-396, 380; 24/570; 248/74.2, 248/215, 227.1, 49, 300, 301, 316.7, 51, 248/489; D19/65, 56; 52/484, 489, 506.06, 52/506.07, 733.1; D23/133, 134
See application file for complete search history.

D312,783	S	*	12/1990	Sharp	D9/434
5,046,294	A		9/1991	Platt		
5,941,029	A	*	8/1999	MacLeod	52/167.1
7,293,393	B2		11/2007	Kelly et al.		
7,552,567	B2		6/2009	Ingratta et al.		
7,614,195	B2		11/2009	Platt et al.		
D611,332	S	*	3/2010	Tedesco et al.	D8/380
D617,913	S		6/2010	Shanes et al.		
7,770,349	B2		8/2010	Tedesco et al.		
7,788,872	B2		9/2010	Platt		
D637,899	S		5/2011	Tedesco et al.		
D638,287	S	*	5/2011	Tedesco et al.	D8/394
D638,288	S		5/2011	Tedesco et al.		
D638,289	S		5/2011	Tedesco et al.		
2009/0165417	A1		7/2009	Jankovec et al.		
2010/0005747	A1	*	1/2010	Tedesco et al.	52/506.08
2011/0146194	A1		6/2011	Tedesco et al.		

* cited by examiner

Primary Examiner — John Windmuller

(74) *Attorney, Agent, or Firm* — Abel Law Group, LLP

(57) **CLAIM**

The ornamental design for a seismic transition joint clip for suspension ceiling system, as shown and described.

DESCRIPTION

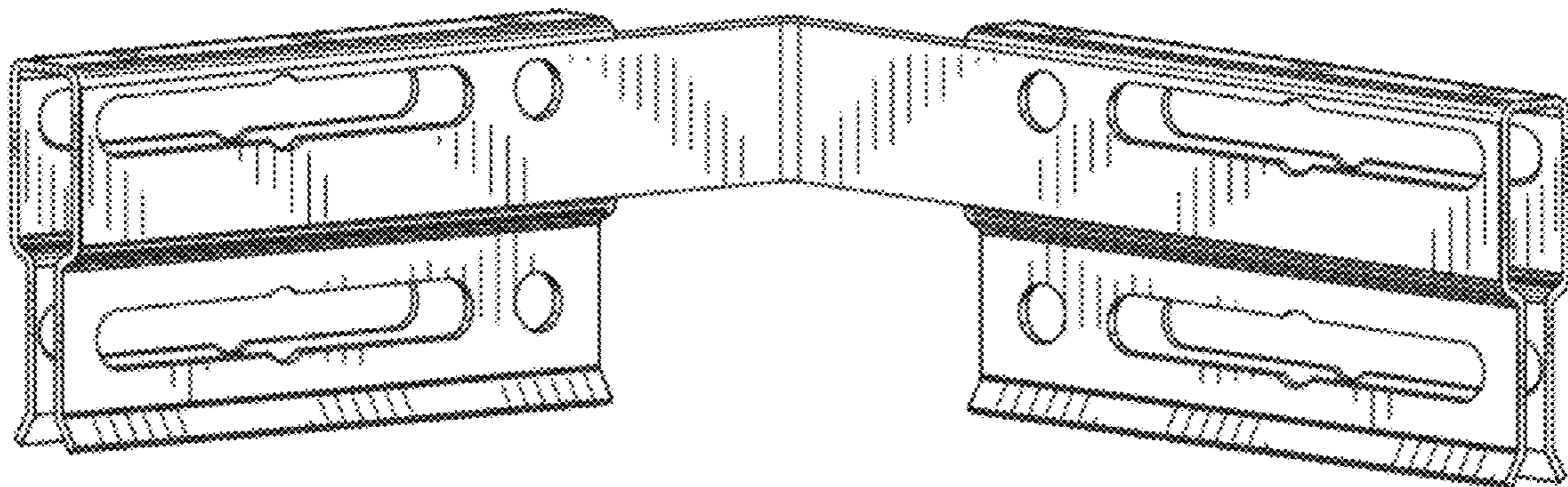
FIG. 1 is an isometric view of a seismic transition joint clip for suspension ceiling system showing my new design. FIGS. 2 and 3 are front and back views of the clip of FIG. 1; FIGS. 4 and 5 are side views of the clip of FIG. 1; and, FIGS. 6 and 7 are top and bottom views of the clip of FIG. 1.

1 Claim, 5 Drawing Sheets

(56) **References Cited**

U.S. PATENT DOCUMENTS

1,675,654	A	*	7/1928	Mahar	190/37
D248,013	S	*	5/1978	Win	D8/373
4,479,341	A		10/1984	Schuplin		
D309,027	S		7/1990	Noone et al.		



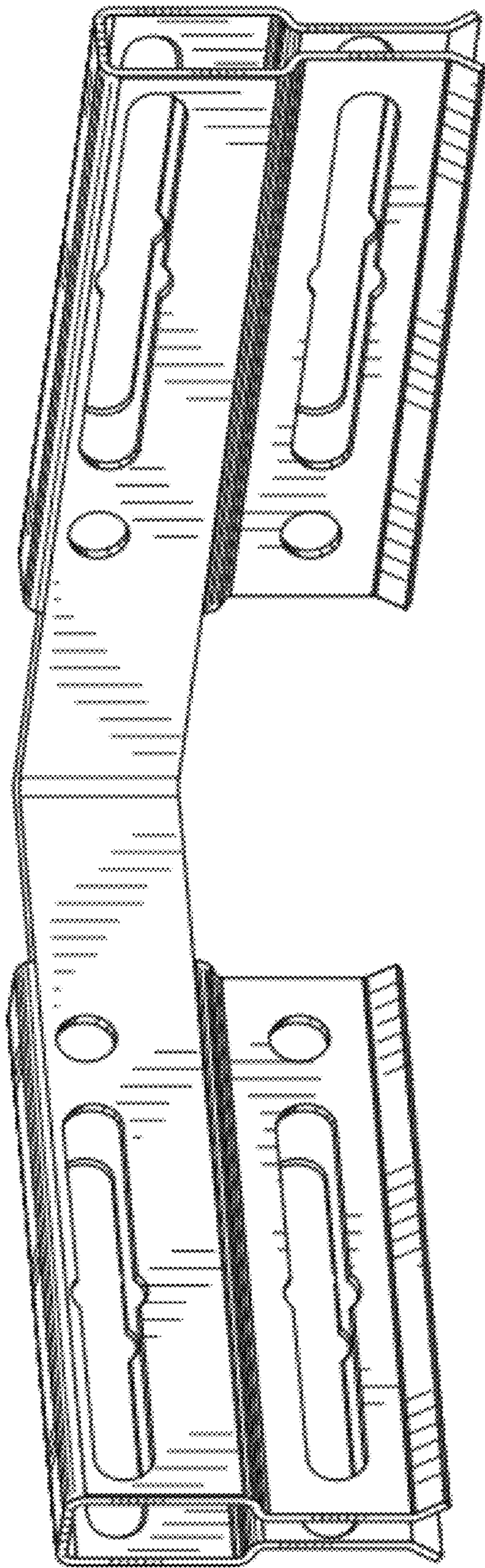


FIG. 1

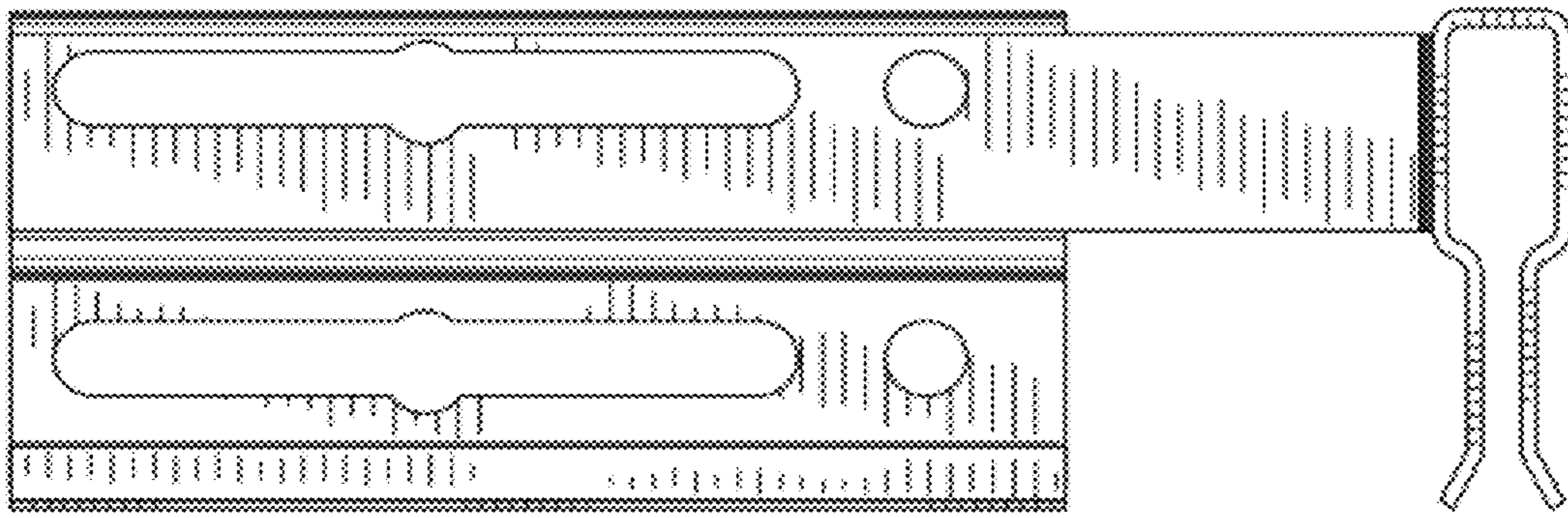


FIG. 2

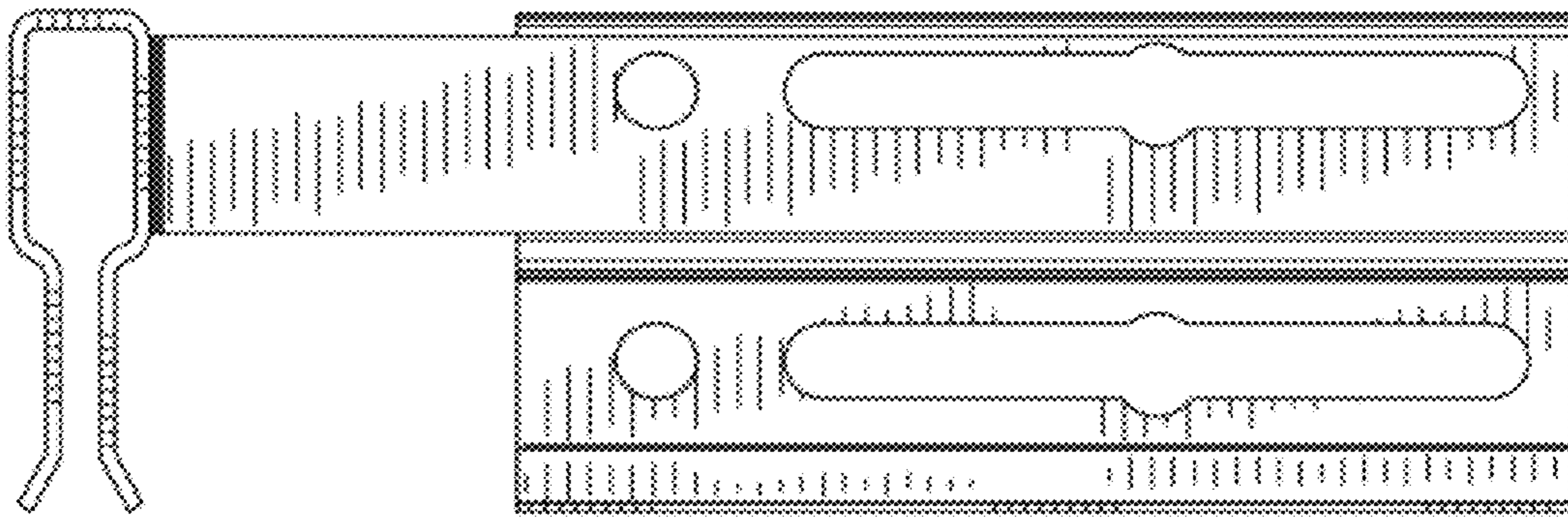


FIG. 3

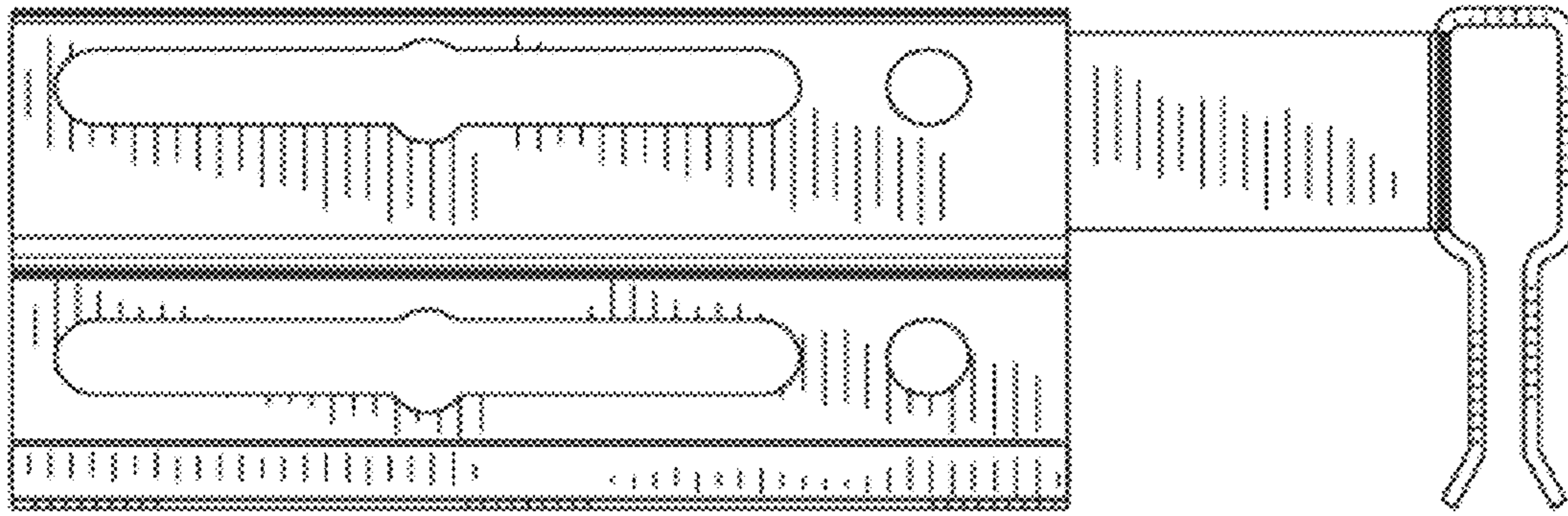


FIG. 4

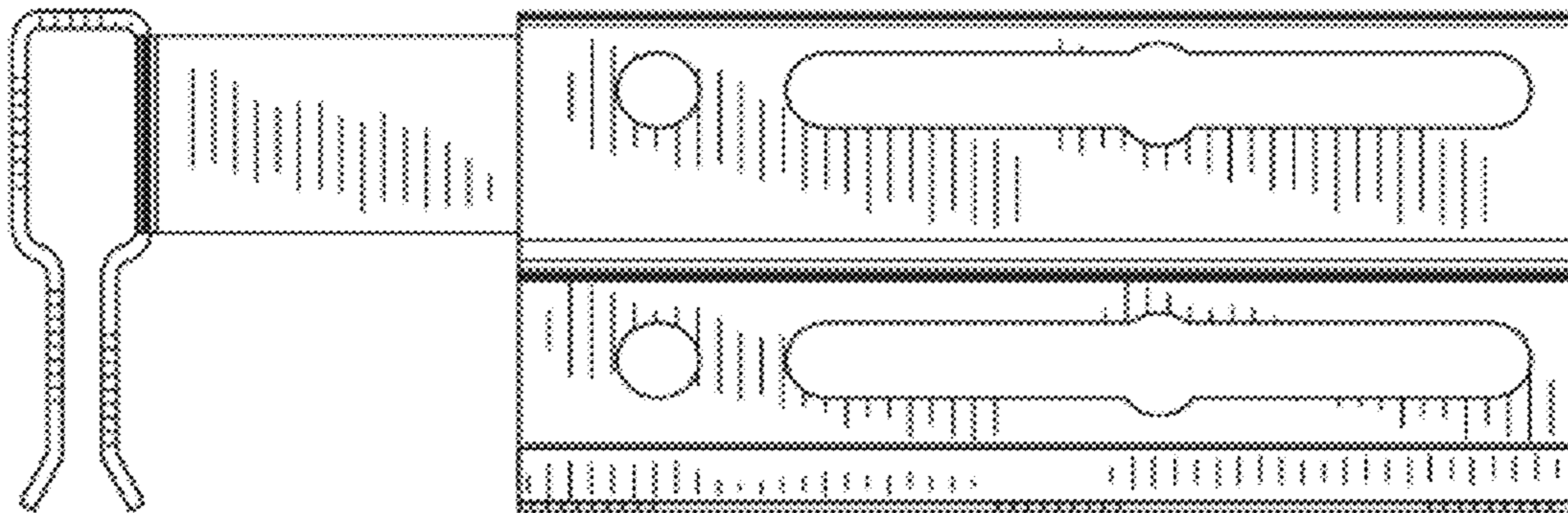


FIG. 5

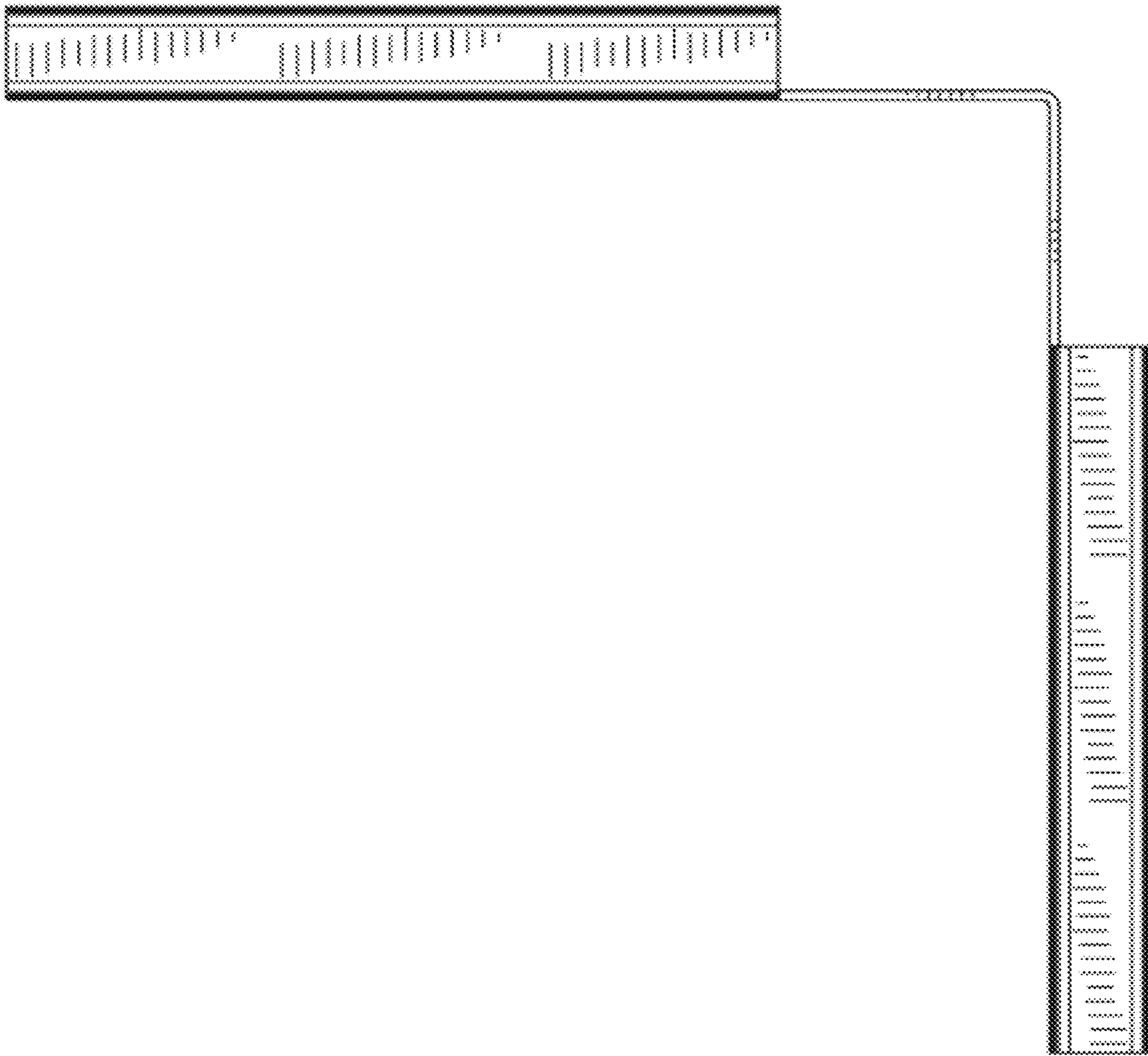


FIG. 6

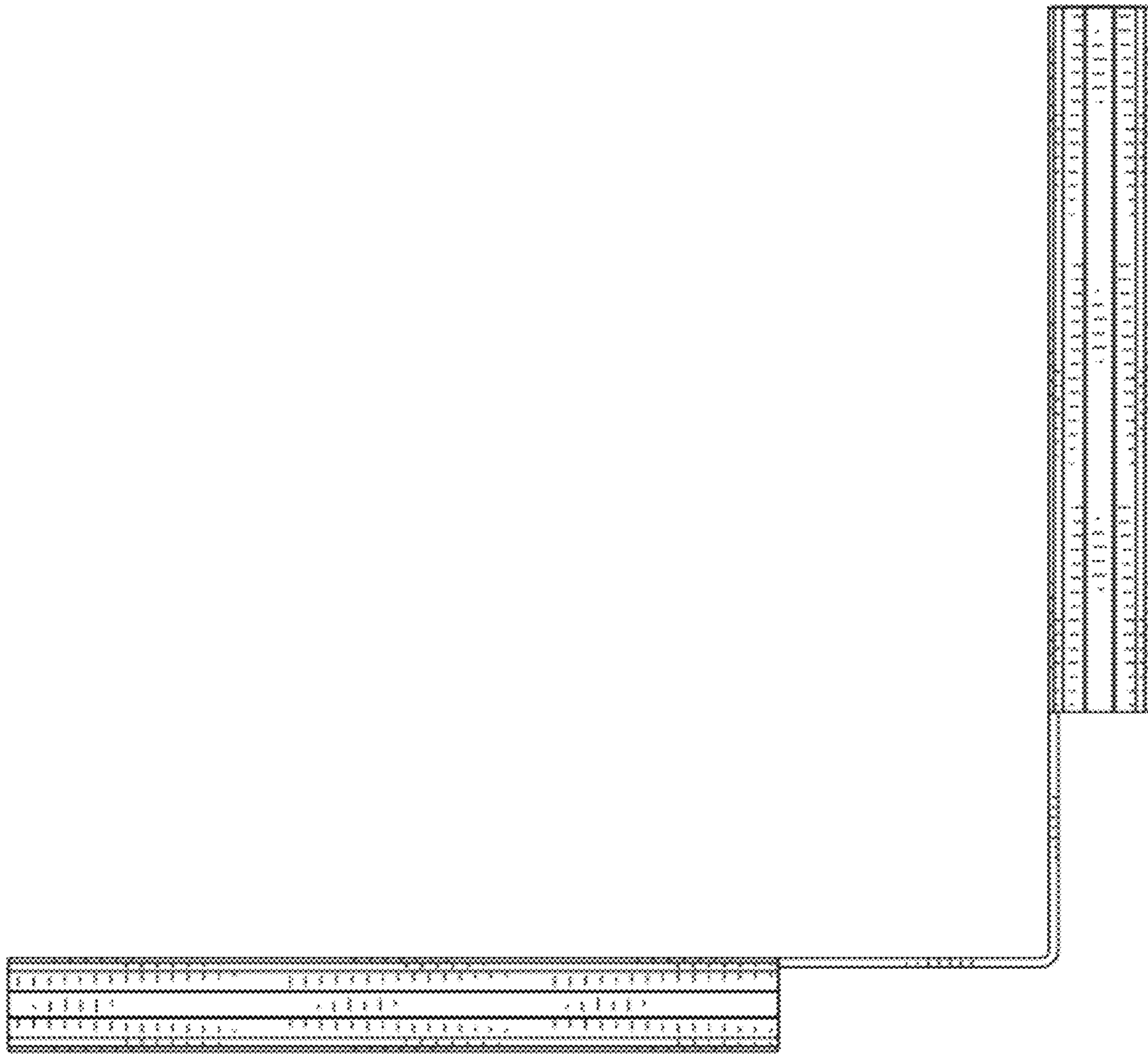


FIG. 7