



US00D661575S

(12) **United States Design Patent**
Ruiz et al.

(10) **Patent No.:** **US D661,575 S**
(45) **Date of Patent:** **** Jun. 12, 2012**

(54) **MULTI-ORIENTATION STACKING RISER**

(75) Inventors: **Milton D. Ruiz**, Germantown, TN (US);
Sandy Felsenthal, Memphis, TN (US);
David Anderson, Coppel, TX (US)

(73) Assignee: **Whitmor, Inc.**, South Haven, MS (US)

(**) Term: **14 Years**

(21) Appl. No.: **29/396,966**

(22) Filed: **Jul. 8, 2011**

(51) **LOC (9) Cl.** **08-05**

(52) **U.S. Cl.** **D8/374**

(58) **Field of Classification Search** D8/374;
248/346.01, 188.2, 346.11

See application file for complete search history.

(56) **References Cited**

U.S. PATENT DOCUMENTS

5,345,631	A *	9/1994	Saperstein et al.	5/509.1
5,615,429	A *	4/1997	Williams	5/509.1
5,799,918	A *	9/1998	Swinderman et al.	248/300
6,012,185	A	1/2000	Woods et al.	
6,968,583	B1	11/2005	Rich	

* cited by examiner

Primary Examiner — Holly Baynham

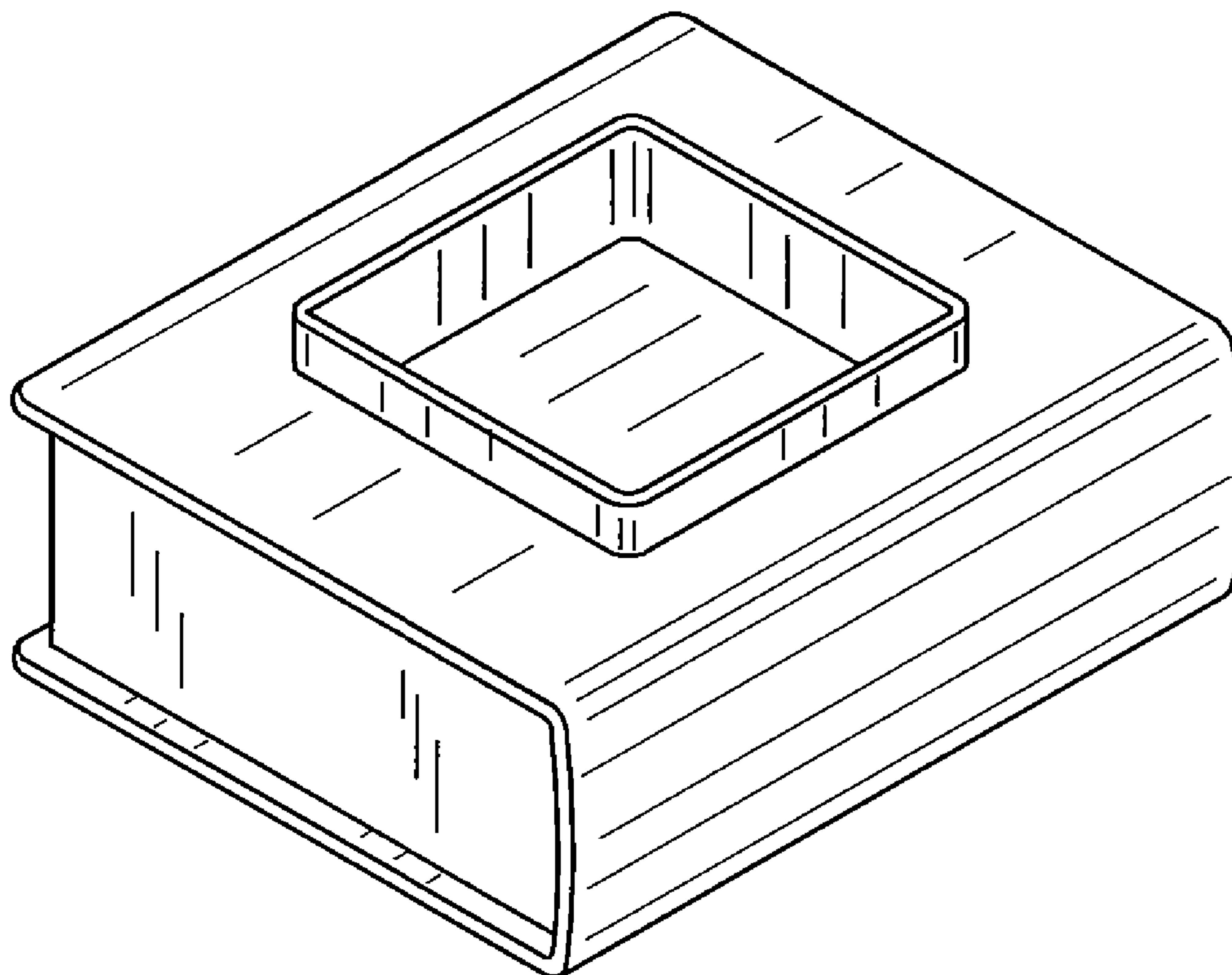
(74) *Attorney, Agent, or Firm* — H. Frederick Rusche;
Husch Blackwell LLP

(57) **CLAIM**
We claim the ornamental design for a multi-orientation stacking riser, as shown and described.

DESCRIPTION

FIG. 1 is a top perspective view of a multi-orientation stacking riser showing a first embodiment of our new design; FIG. 2 is a bottom perspective view thereof; FIG. 3 is a right side view thereof; FIG. 4 is a left side view thereof; FIG. 5 is a rear view thereof; FIG. 6 is a front view thereof; FIG. 7 is a top view thereof; FIG. 8 is a bottom view thereof; FIG. 9 is a partial section view of the multi-orientation stacking riser of FIG. 8 taken along the line 9-9; FIG. 10 is a partial section view of the multi-orientation stacking riser of FIG. 8 taken along the line 10-10; FIG. 11 is a top perspective view of a multi-orientation stacking riser showing a second embodiment of our new design; FIG. 12 is a bottom perspective view thereof; FIG. 13 is a right side view thereof; FIG. 14 is a left side view thereof; FIG. 15 is a rear view thereof; and, FIG. 16 is a front view thereof.

1 Claim, 6 Drawing Sheets



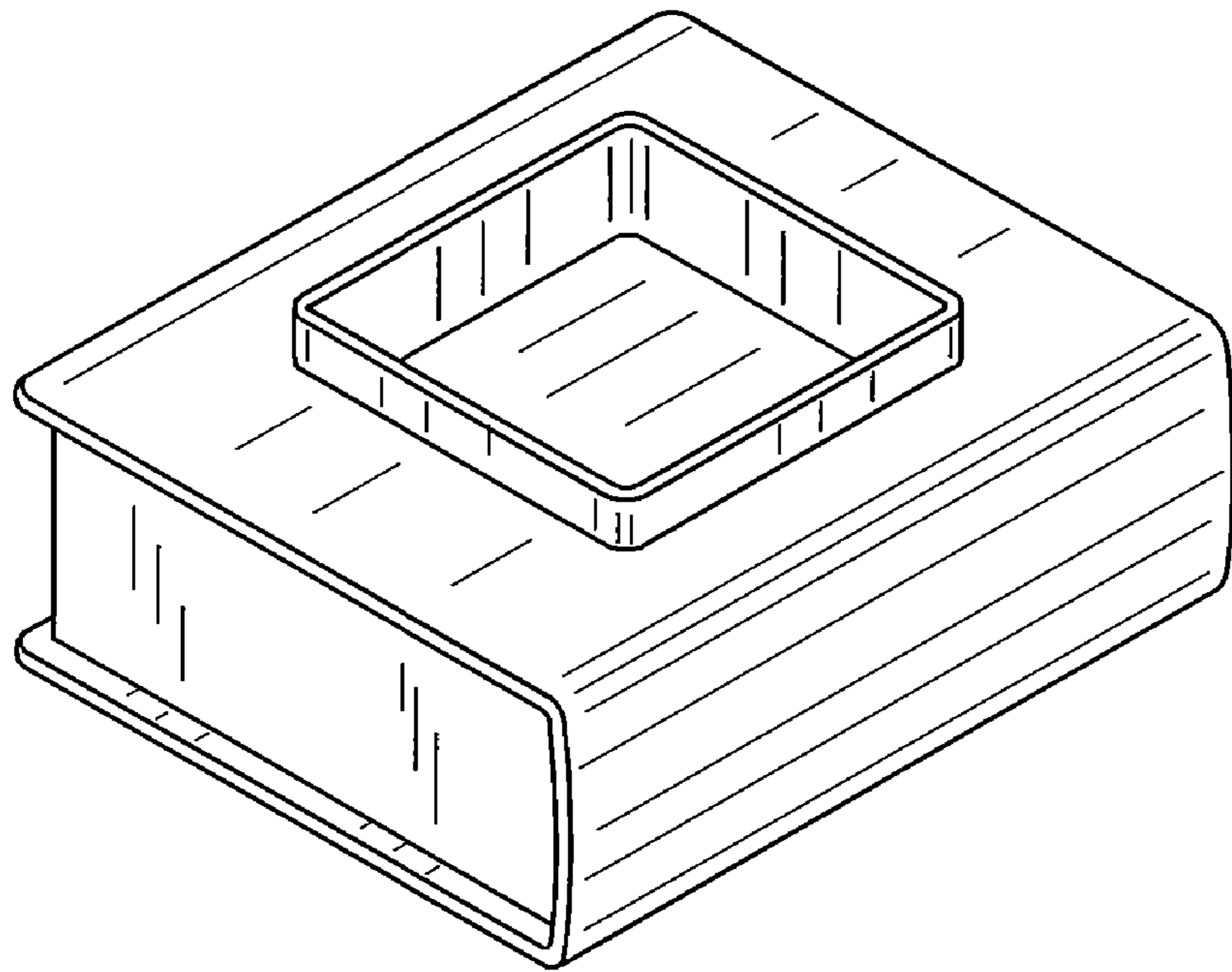


FIG. 1

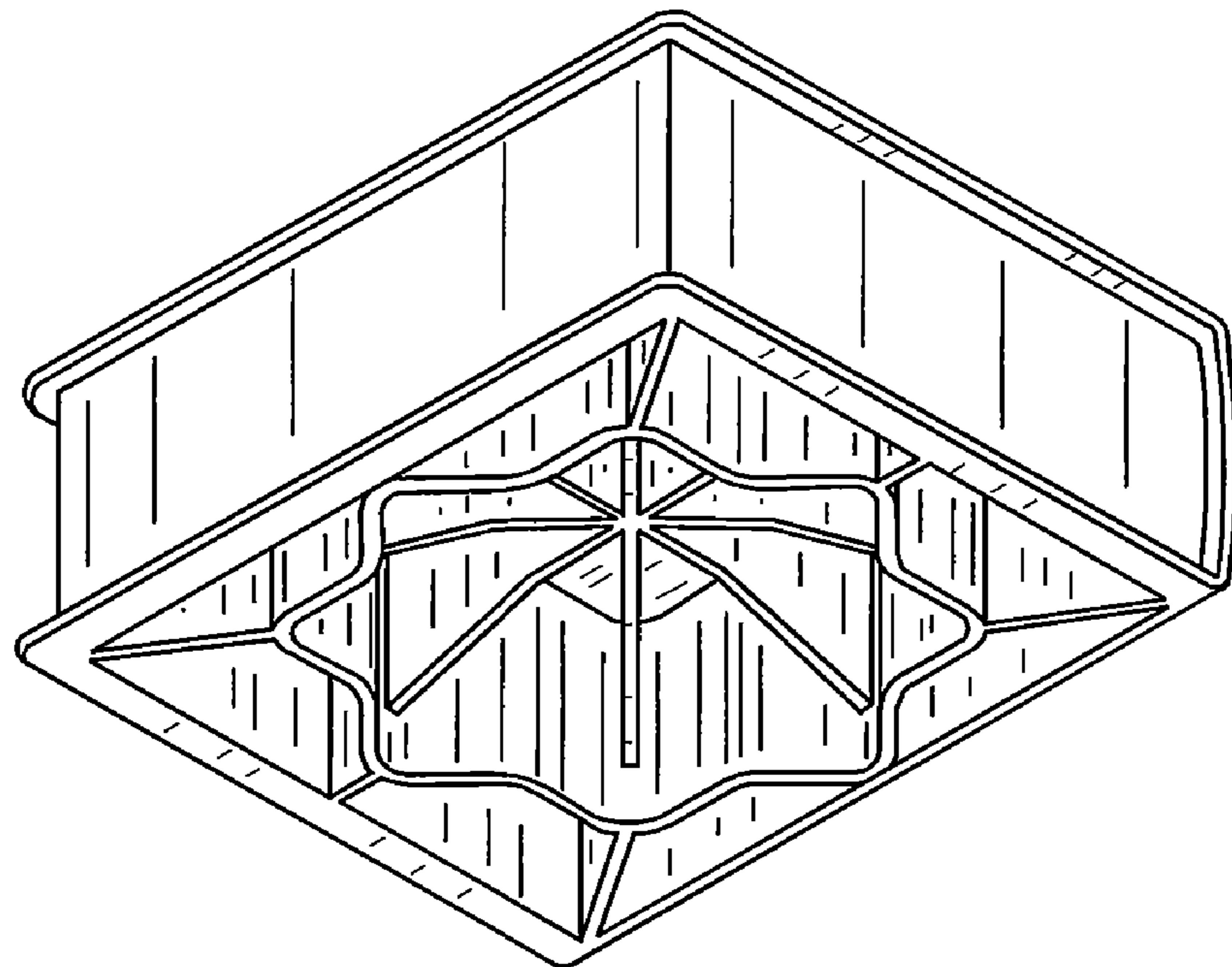


FIG. 2

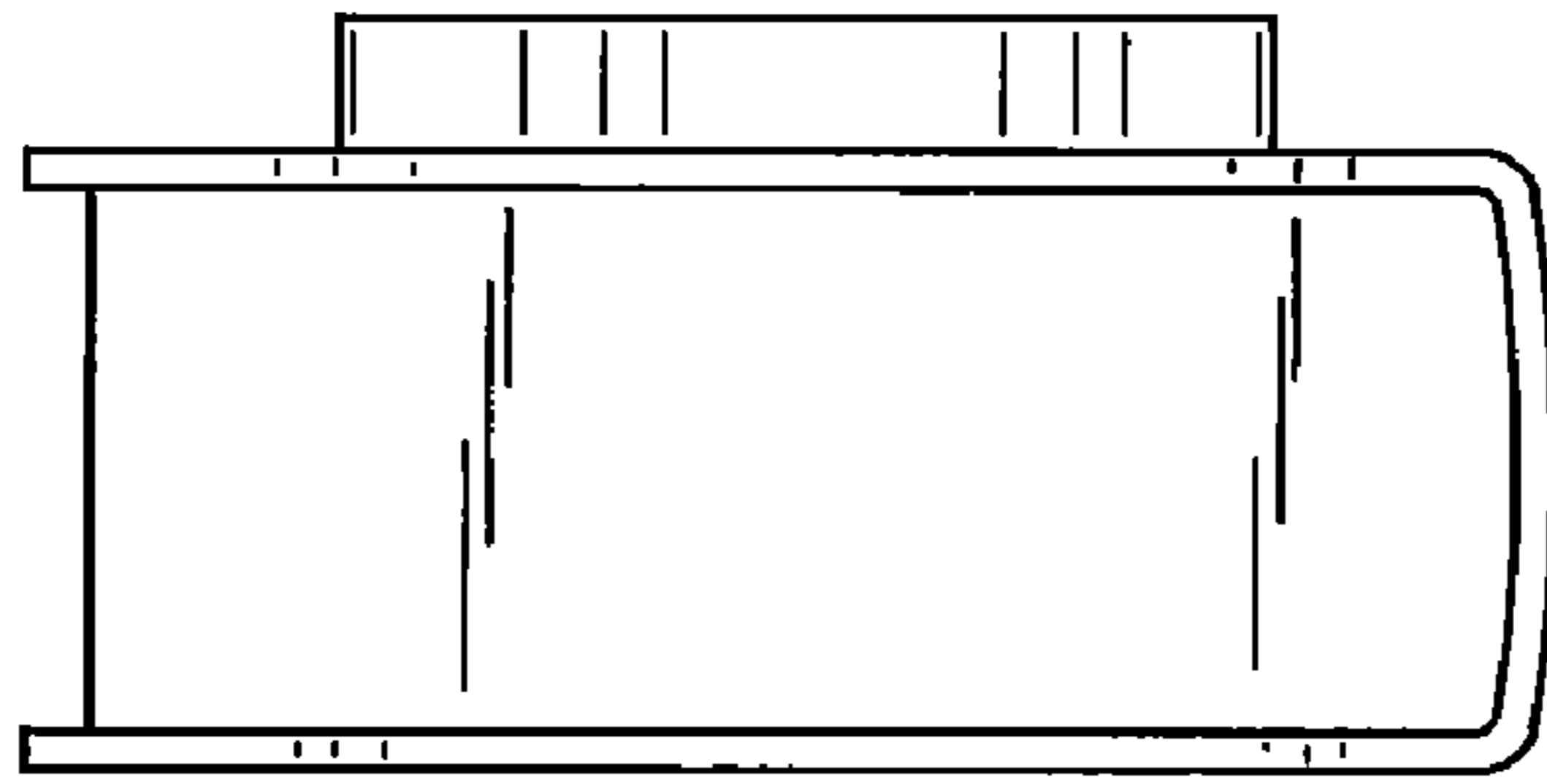


FIG. 3

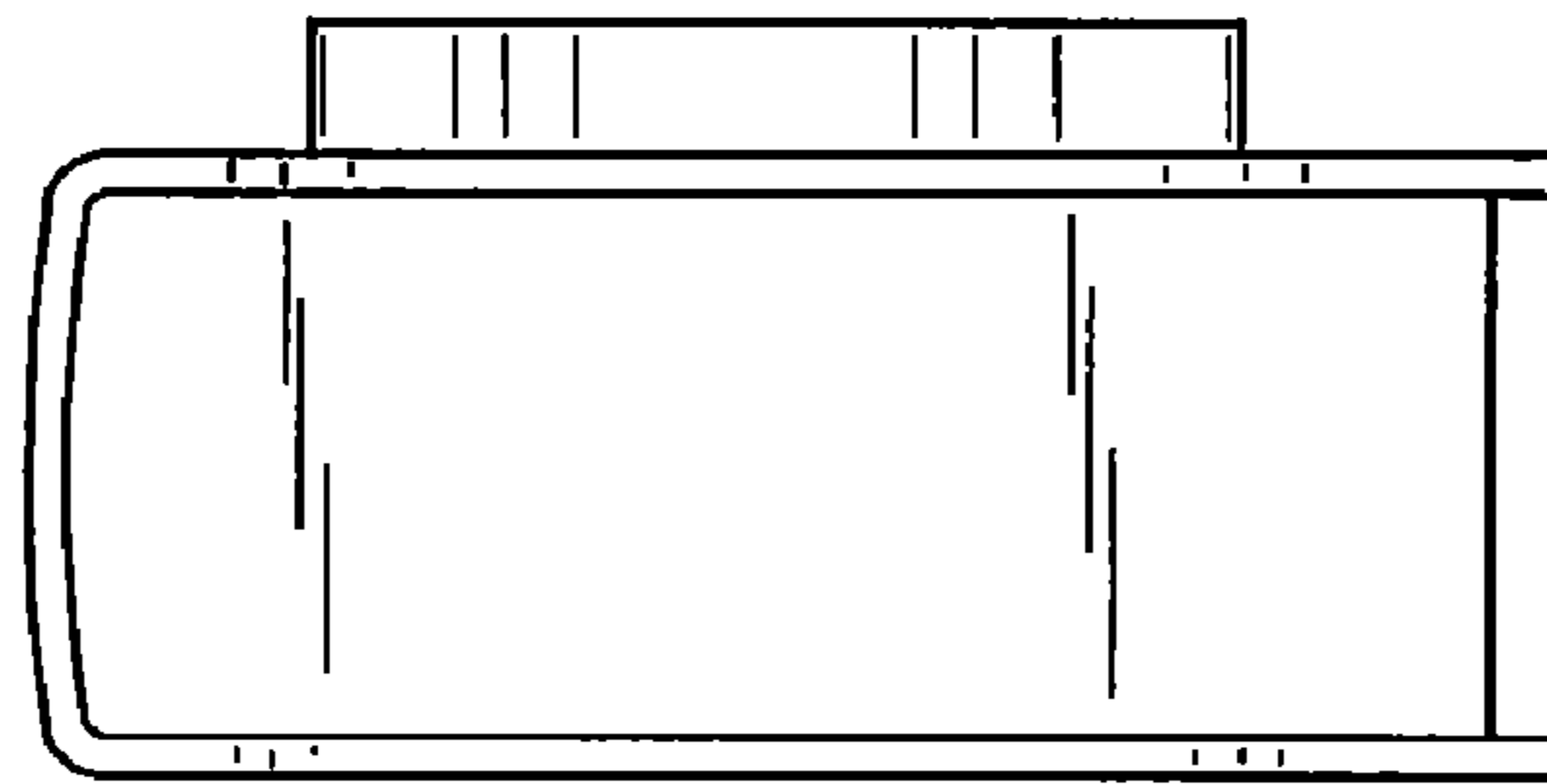


FIG. 4

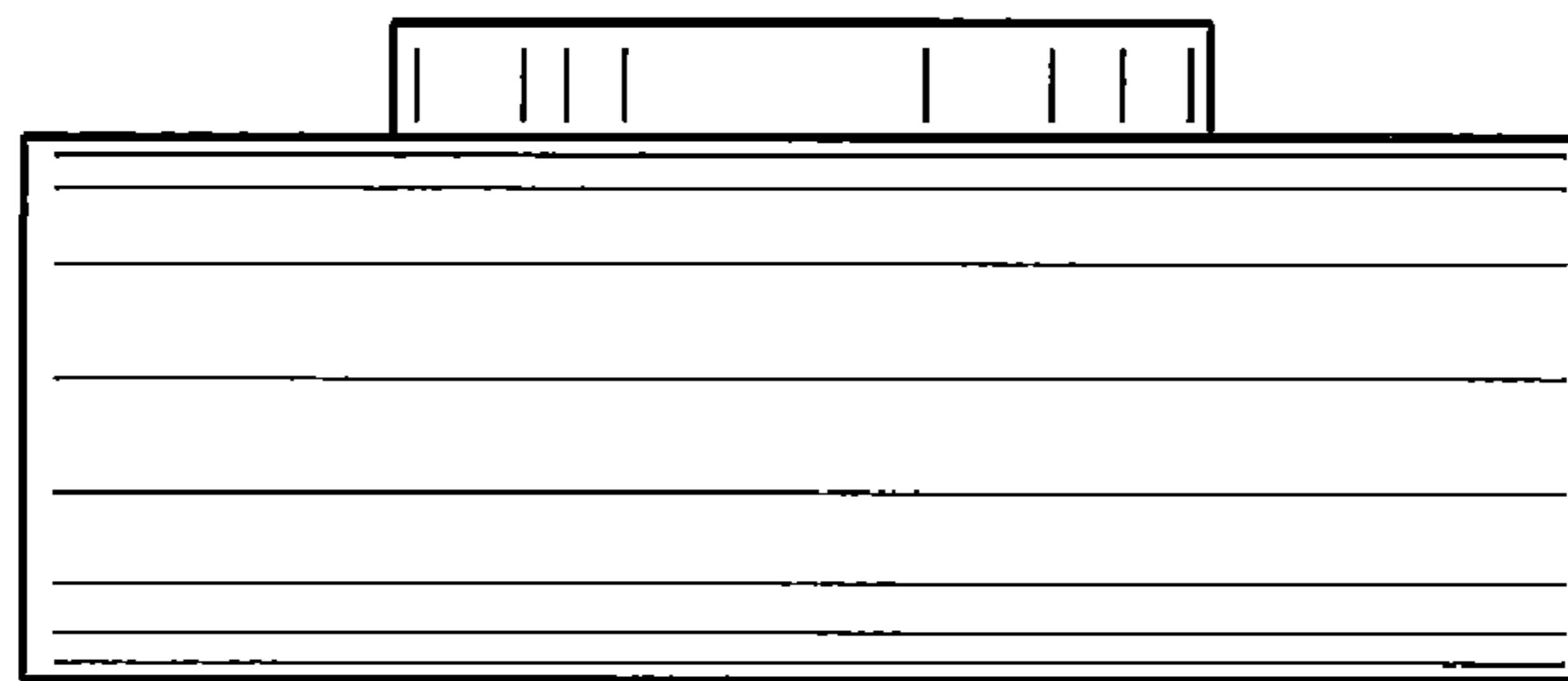


FIG. 5

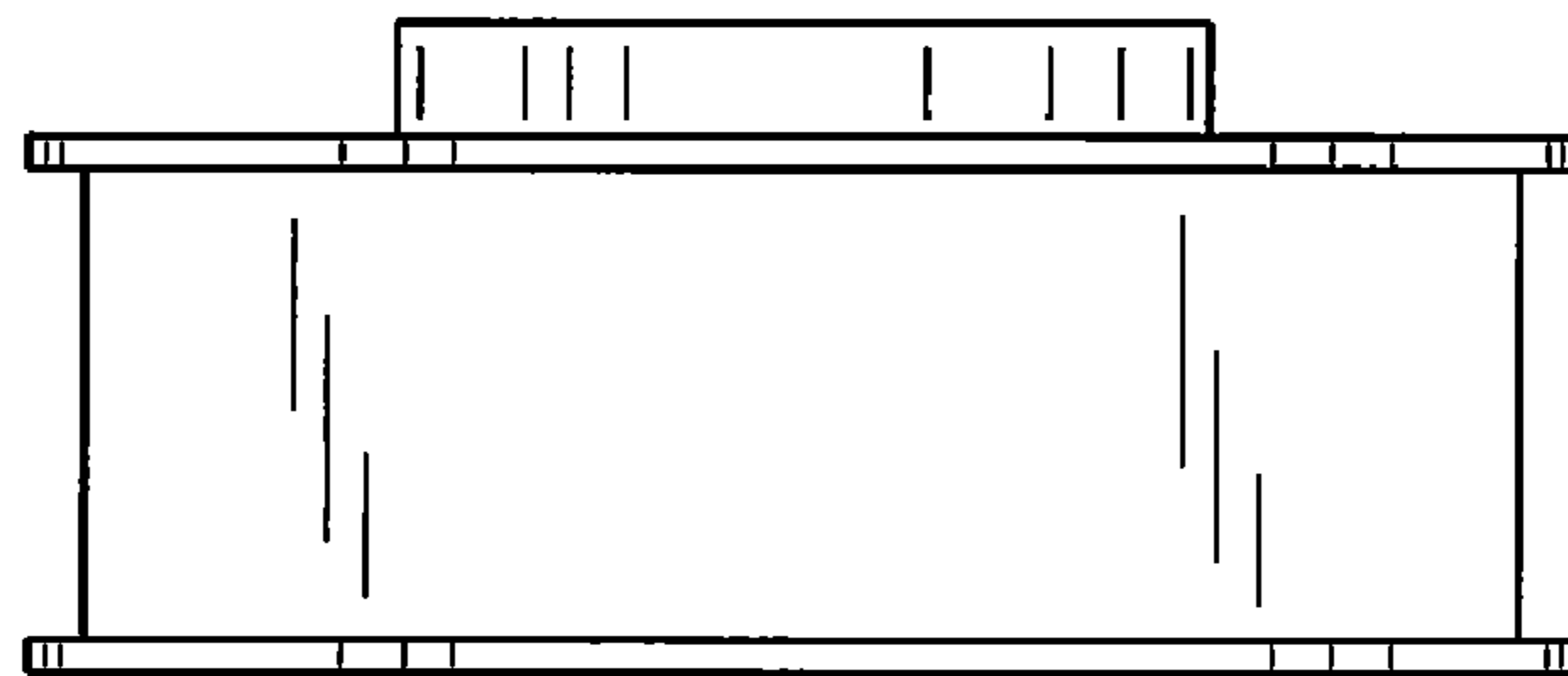


FIG. 6

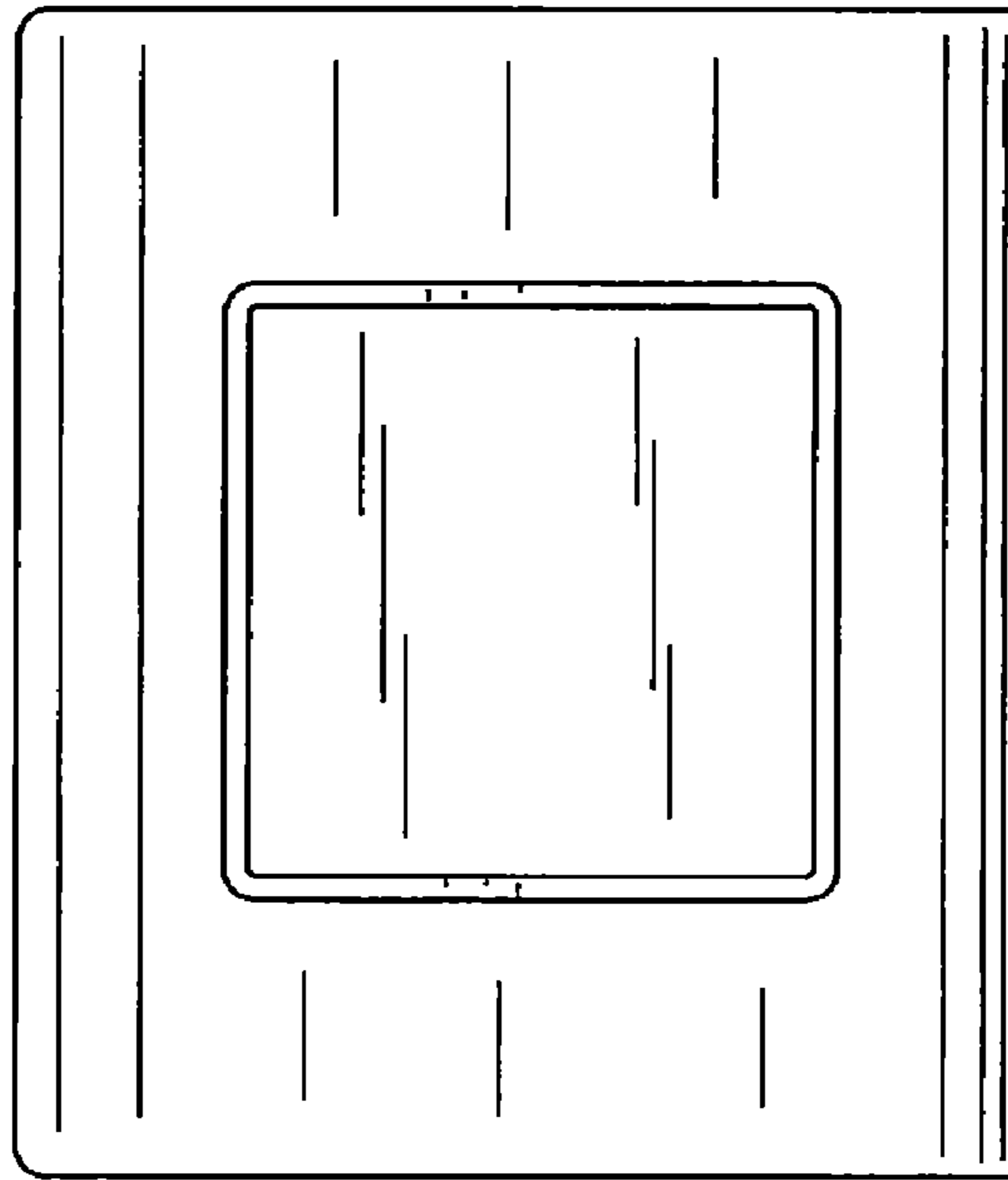


FIG. 7

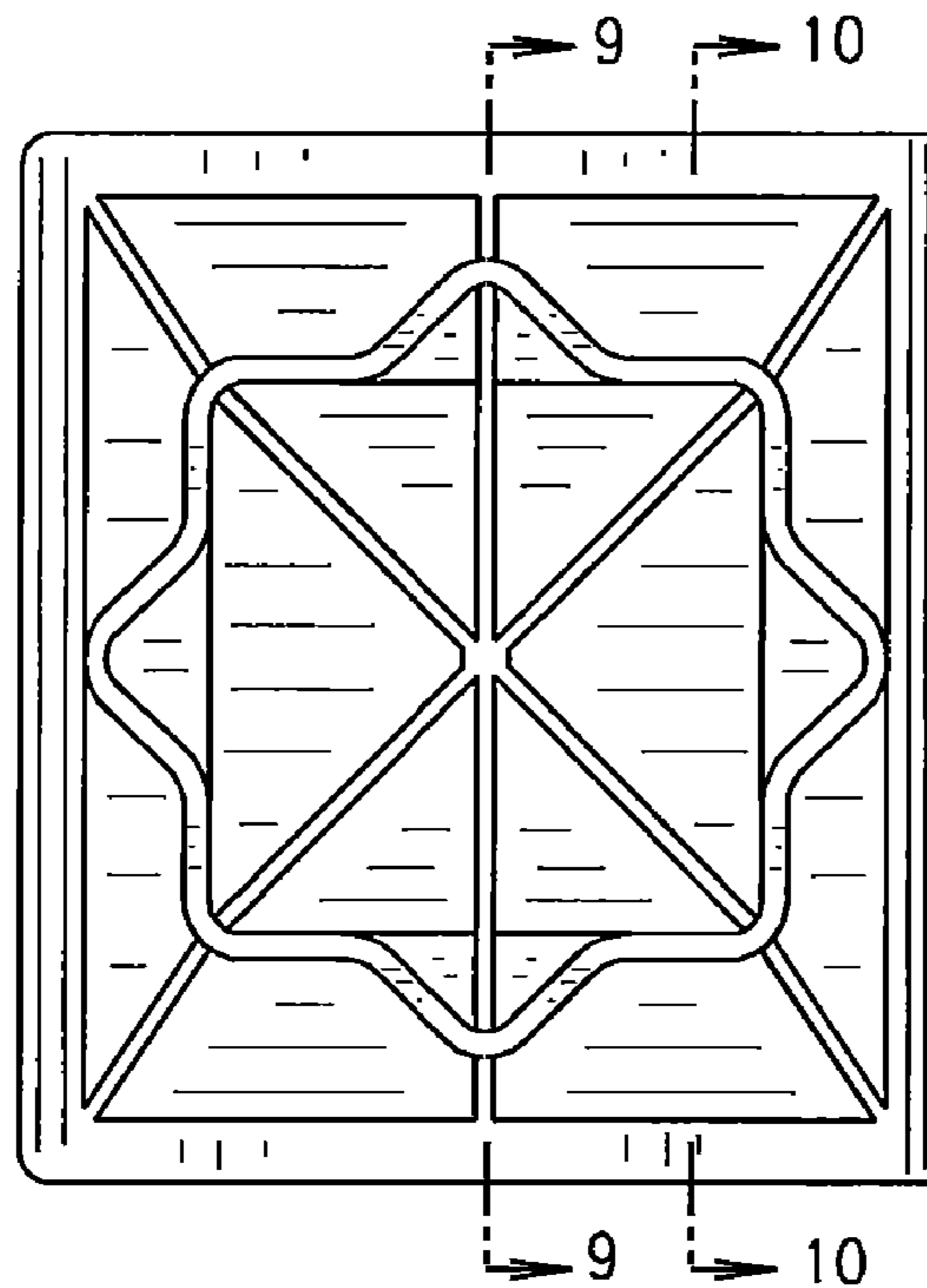


FIG. 8

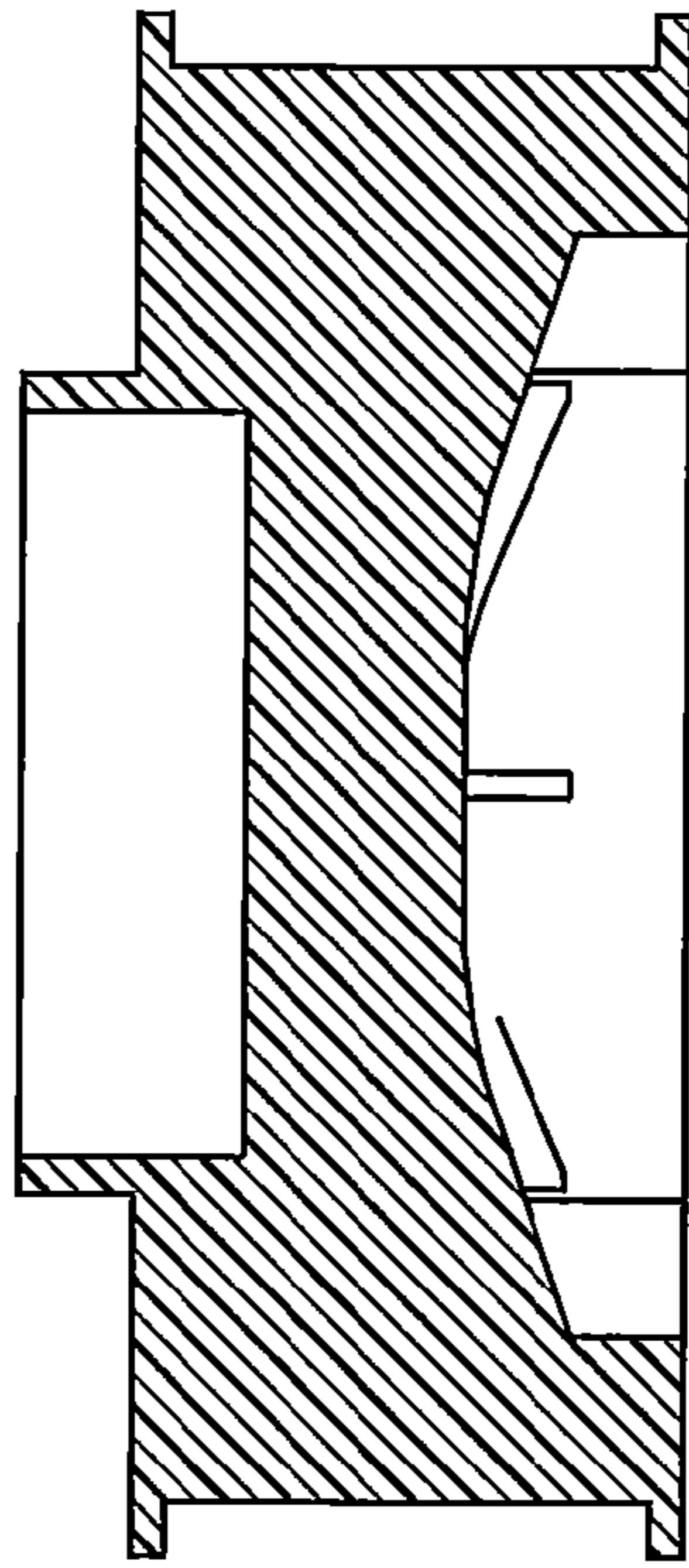


FIG. 9

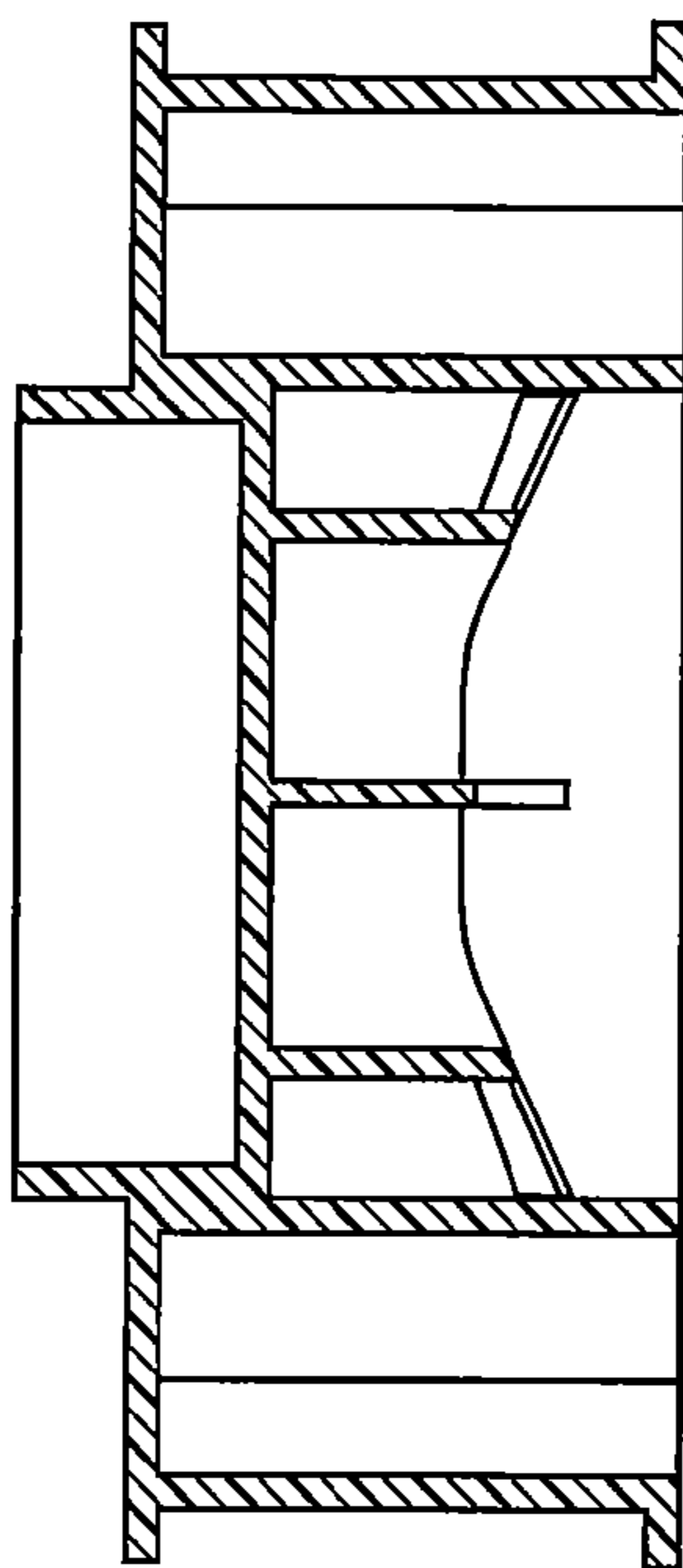


FIG. 10

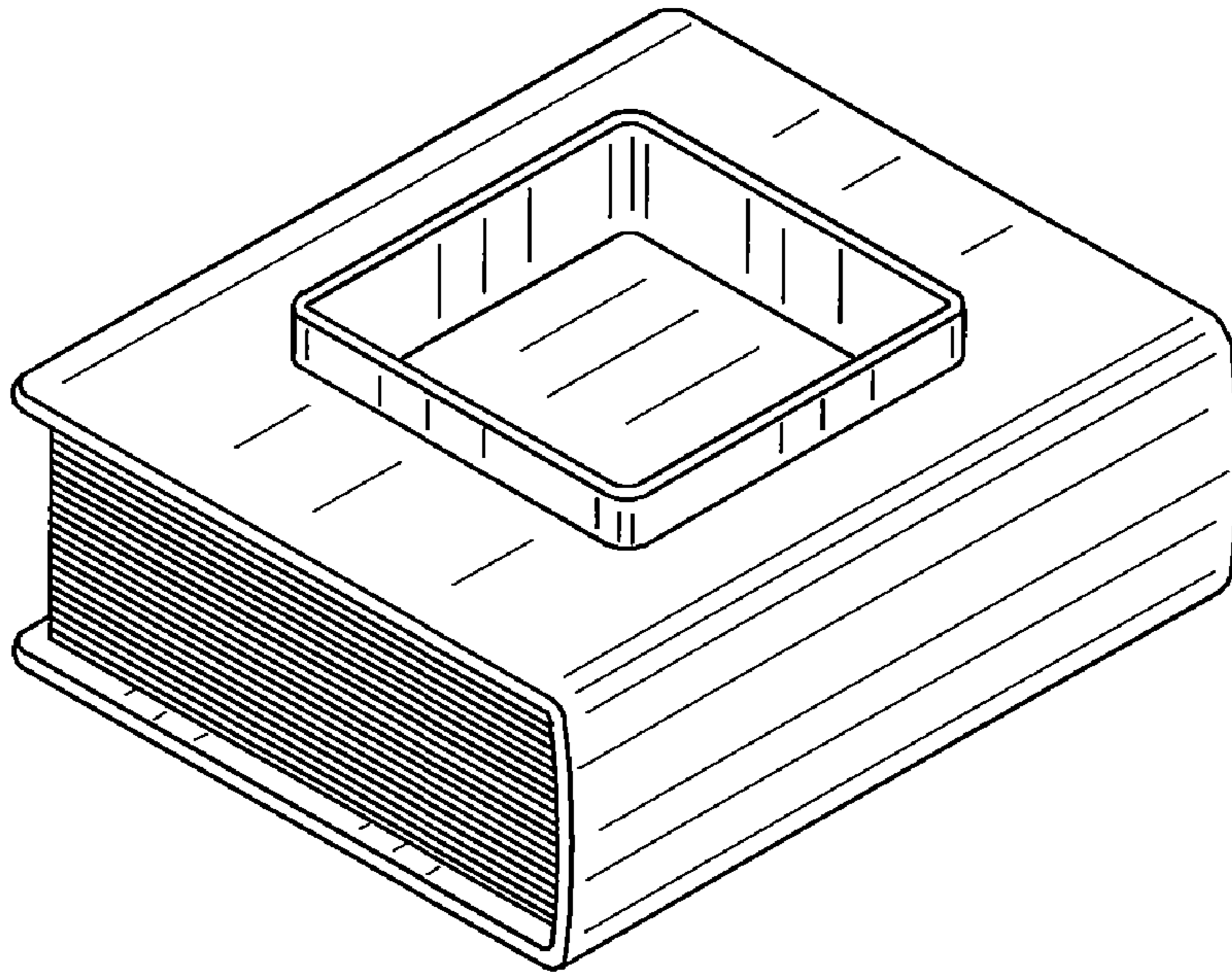


FIG. 11

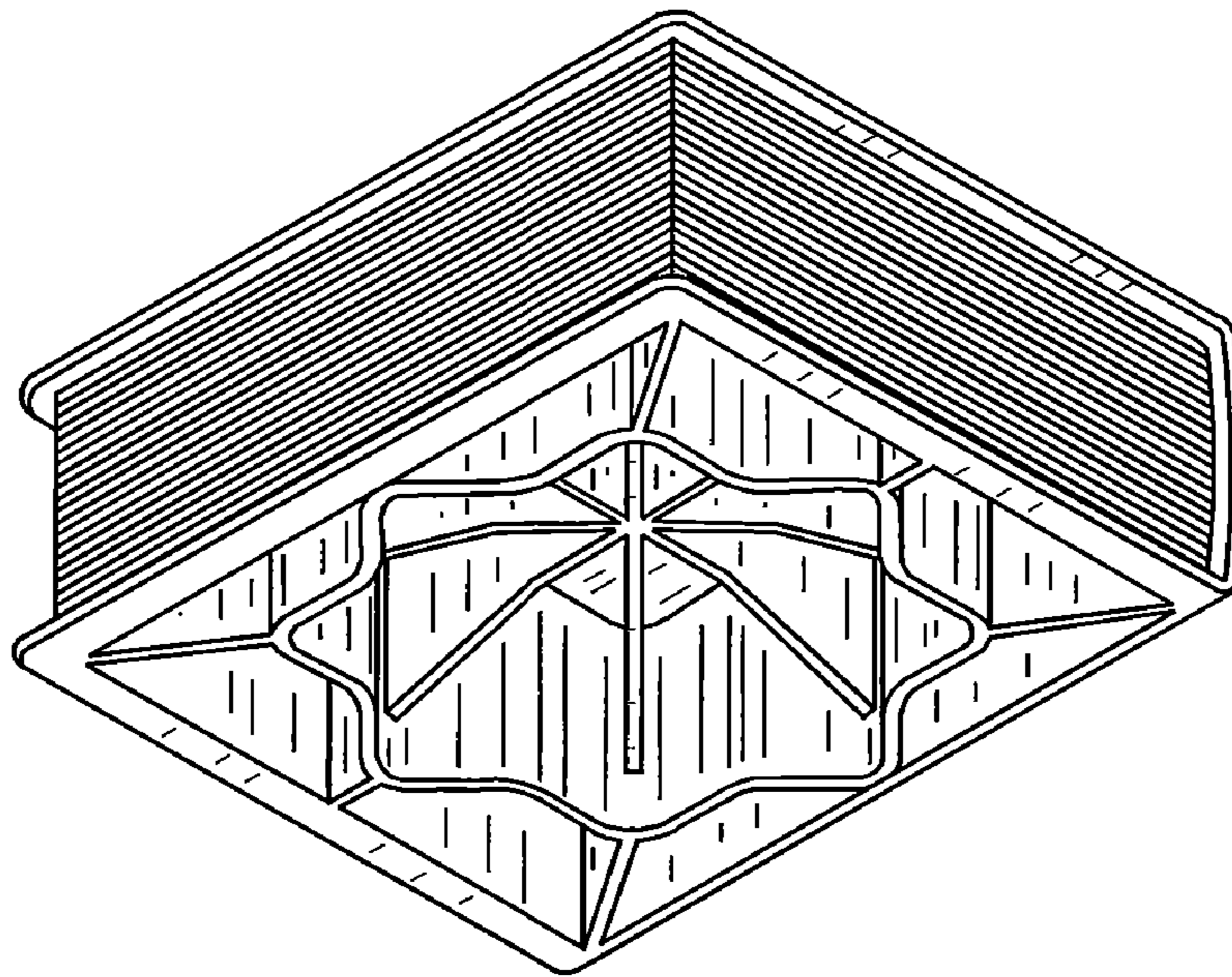


FIG. 12

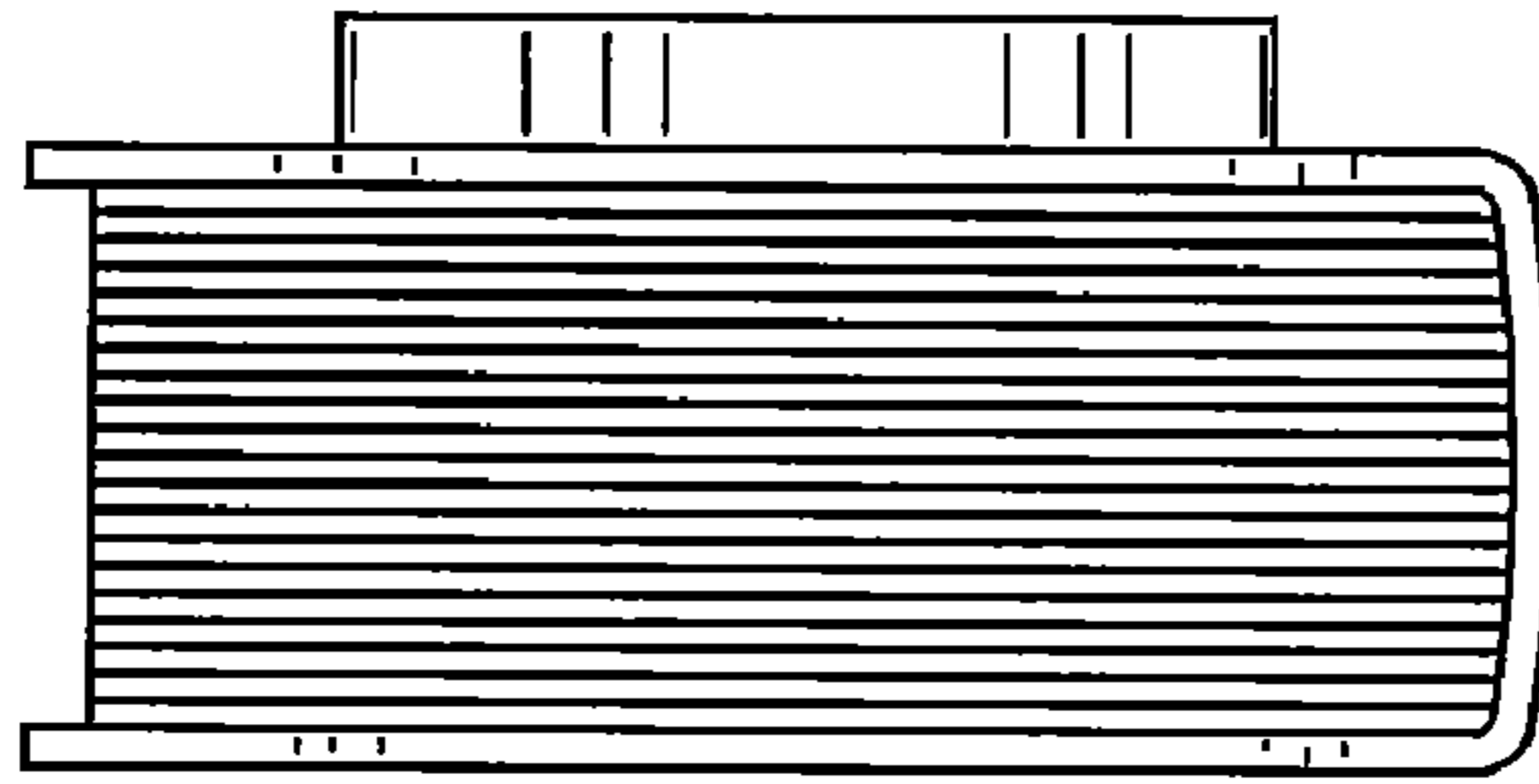


FIG. 13

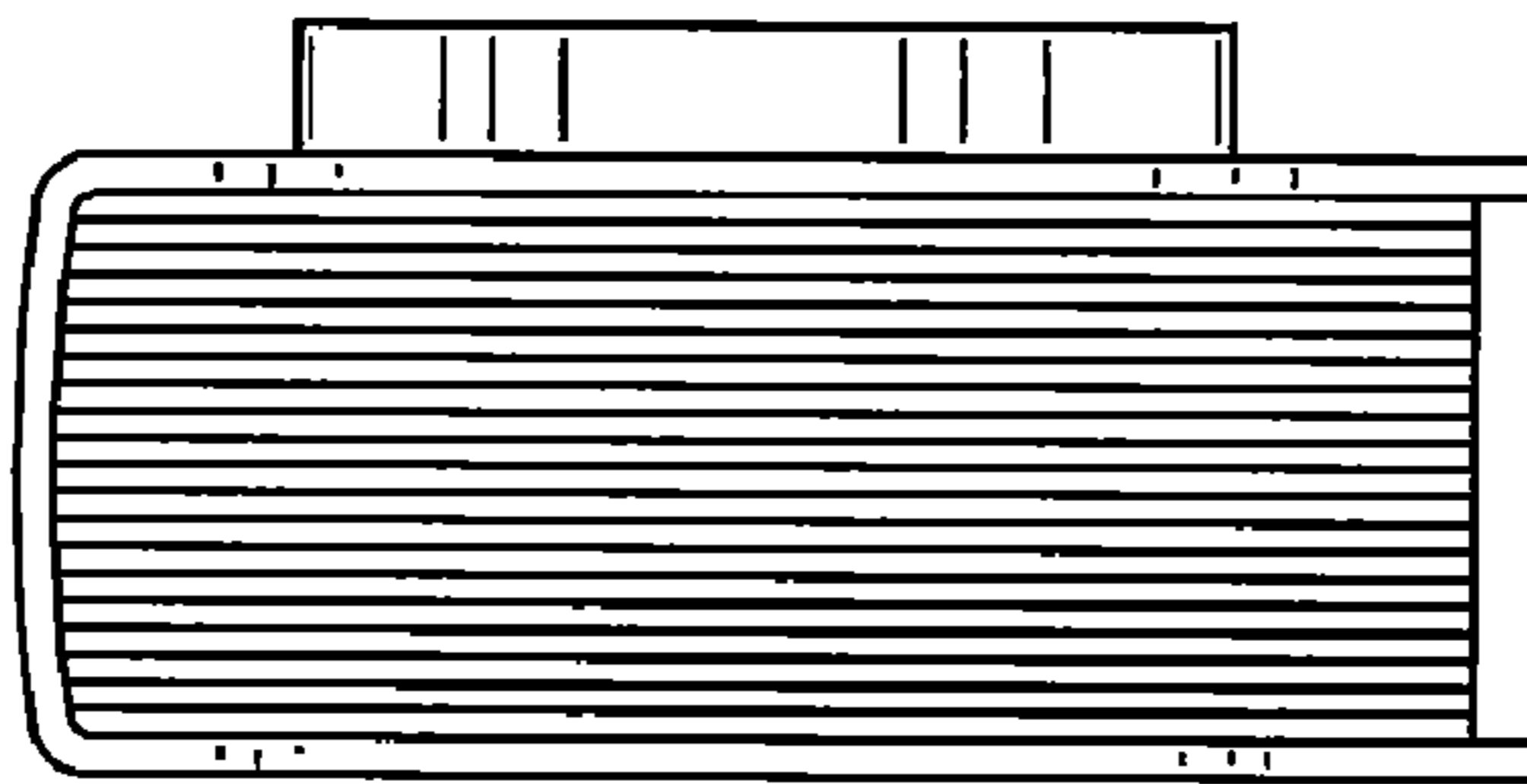


FIG. 14

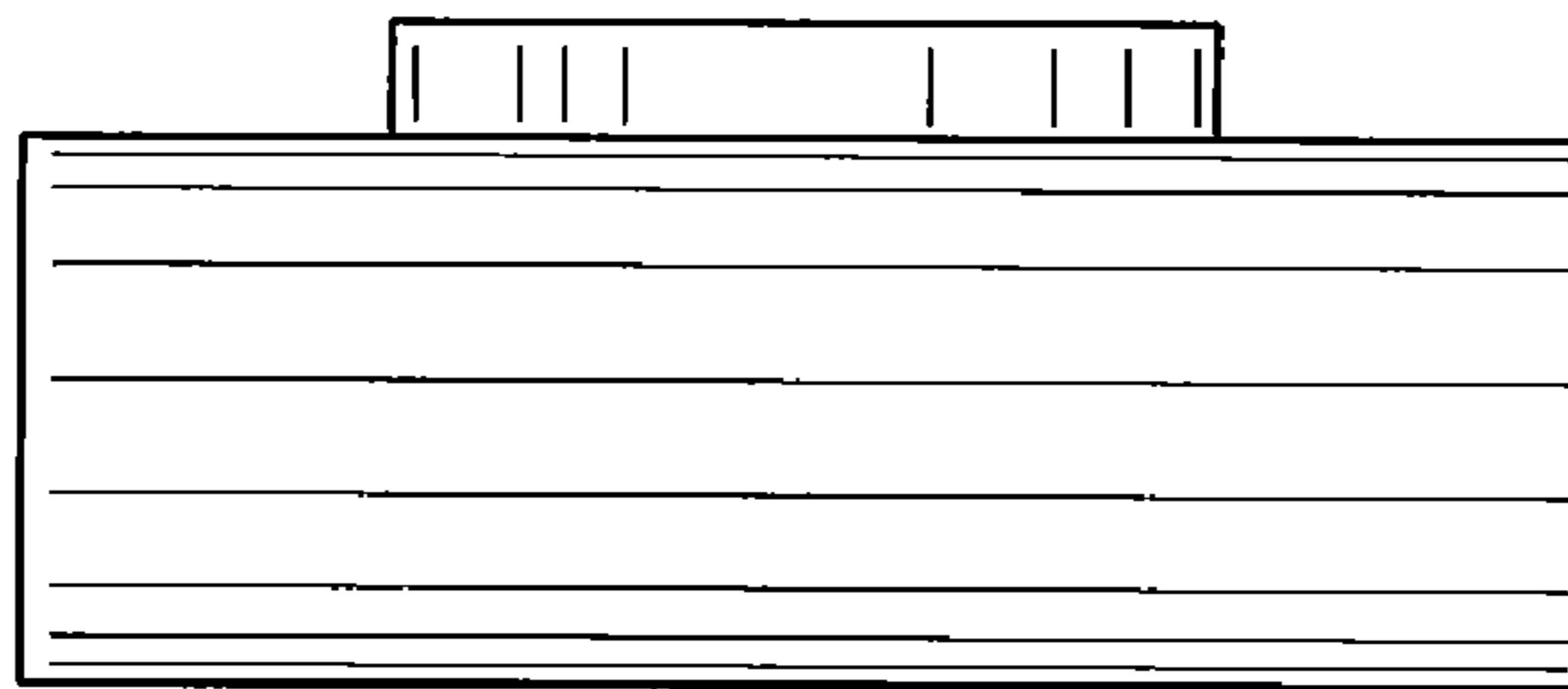


FIG. 15

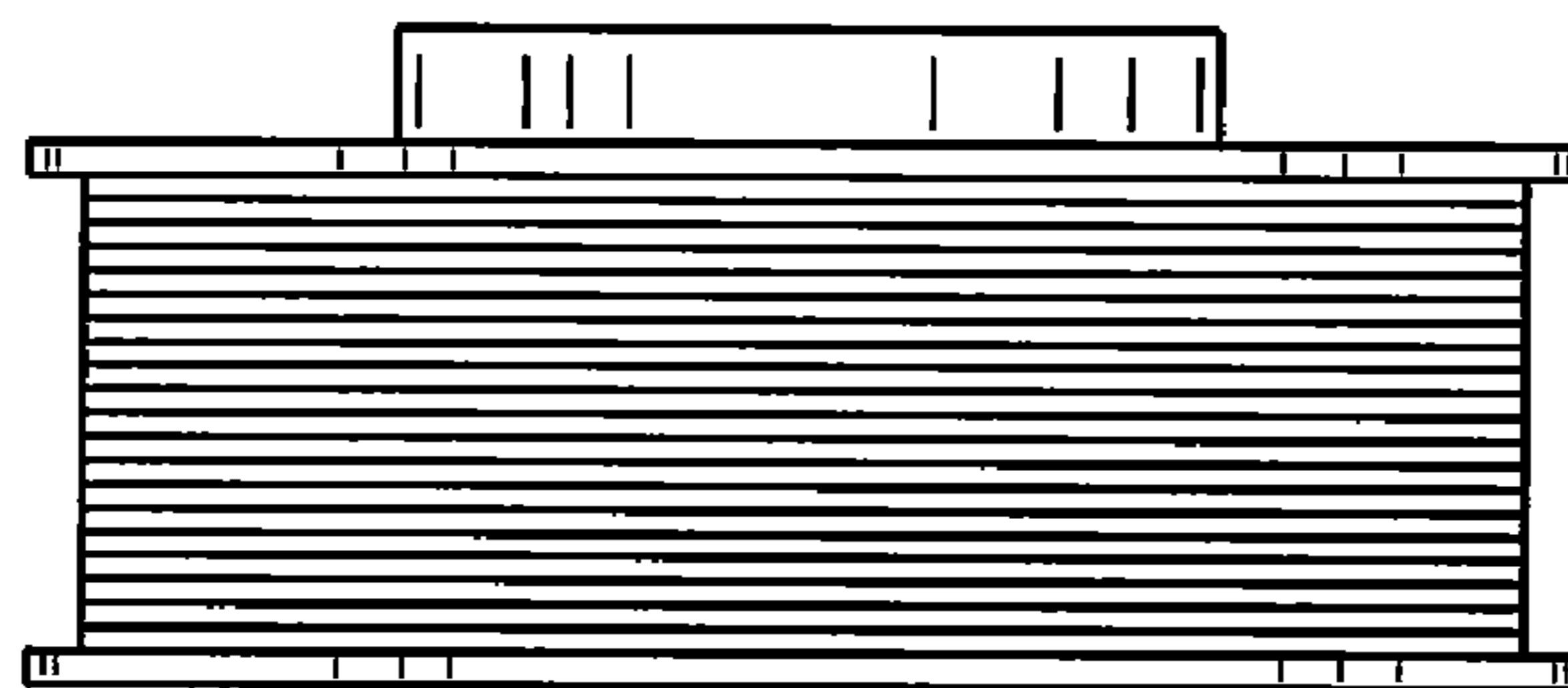


FIG. 16