



US00D661573S

(12) **United States Design Patent**  
**Paik et al.**

(10) **Patent No.:** **US D661,573 S**  
(45) **Date of Patent:** **\*\* Jun. 12, 2012**

(54) **TENSION HOOK**

(76) Inventors: **Jisook Paik**, Seoul (KR); **Nan Hee Paik**, Seoul (KR); **Ji Hye Paik**, Seoul (KR); **Ji Won Son**, Seoul (KR)

(\*\*) Term: **14 Years**

(21) Appl. No.: **29/402,625**

(22) Filed: **Sep. 25, 2011**

(30) **Foreign Application Priority Data**

Apr. 19, 2011 (KR) ..... 30-2001-0015832

(51) **LOC (9) Cl.** ..... **08-05**

(52) **U.S. Cl.** ..... **D8/367**

(58) **Field of Classification Search** ..... D8/367,  
D8/371, 373, 354, 349, 355, 356; D6/323,  
D6/628; 248/215, 301, 339; 160/349.1,  
160/349.2; 24/265 H, 265 R, 599.1, 599.8,  
24/113 R, 573.5; 294/82.18; 29/525.1, 45.3;  
D3/24; 223/106; D11/218

See application file for complete search history.

(56) **References Cited**

**U.S. PATENT DOCUMENTS**

D289,174 S *	4/1987	Van Wilson	.....	D15/78
D291,446 S *	8/1987	Van Wilson	.....	D15/78
D364,833 S *	12/1995	Matoba	.....	D11/218
D375,673 S *	11/1996	Schowalter	.....	D8/367
D419,856 S *	2/2000	Richter	.....	D8/367
D456,309 S *	4/2002	Yoshiguchi	.....	D11/218
D458,870 S *	6/2002	Anscher	.....	D11/218
D461,312 S *	8/2002	Proot et al.	.....	D3/328
D483,294 S *	12/2003	Uehara	.....	D11/218

D507,509 S *	7/2005	Hou	.....	D11/218
D511,088 S *	11/2005	Chiu	.....	D8/367
7,100,249 B2 *	9/2006	Hurn	.....	24/199
D533,362 S *	12/2006	Giampavolo	.....	D6/328
7,143,708 B1 *	12/2006	Cimino	.....	114/219
D564,869 S *	3/2008	Peterson	.....	D8/382
D625,654 S *	10/2010	Spater	.....	D11/210
D625,988 S *	10/2010	Chan	.....	D8/367
D630,493 S *	1/2011	Chan	.....	D8/356
D635,844 S *	4/2011	Boothby	.....	D8/367
D636,291 S *	4/2011	Krauss et al.	.....	D11/218
D640,530 S *	6/2011	Perez	.....	D8/356
D642,448 S *	8/2011	Lee et al.	.....	D8/356
D646,151 S *	10/2011	Potts et al.	.....	D8/367
D649,023 S *	11/2011	McDuff et al.	.....	D8/367
D649,907 S *	12/2011	Kataguchi	.....	D11/218
2003/0069589 A1 *	4/2003	Small	.....	606/120

\* cited by examiner

*Primary Examiner* — Cynthia Underwood

(74) *Attorney, Agent, or Firm* — Kile Park Goekjian Reed & McManus PLLC

(57) **CLAIM**

We claim, the ornamental design for a tension hook, as shown and described.

**DESCRIPTION**

FIG. 1 is a perspective view of a tension hook, showing my new design;

FIG. 2 is a front elevational view thereof;

FIG. 3 is a rear elevational view thereof;

FIG. 4 is a left side elevational view thereof;

FIG. 5 is a right side elevational view thereof;

FIG. 6 is a top plan view thereof; and,

FIG. 7 is a bottom plan view thereof.

**1 Claim, 7 Drawing Sheets**

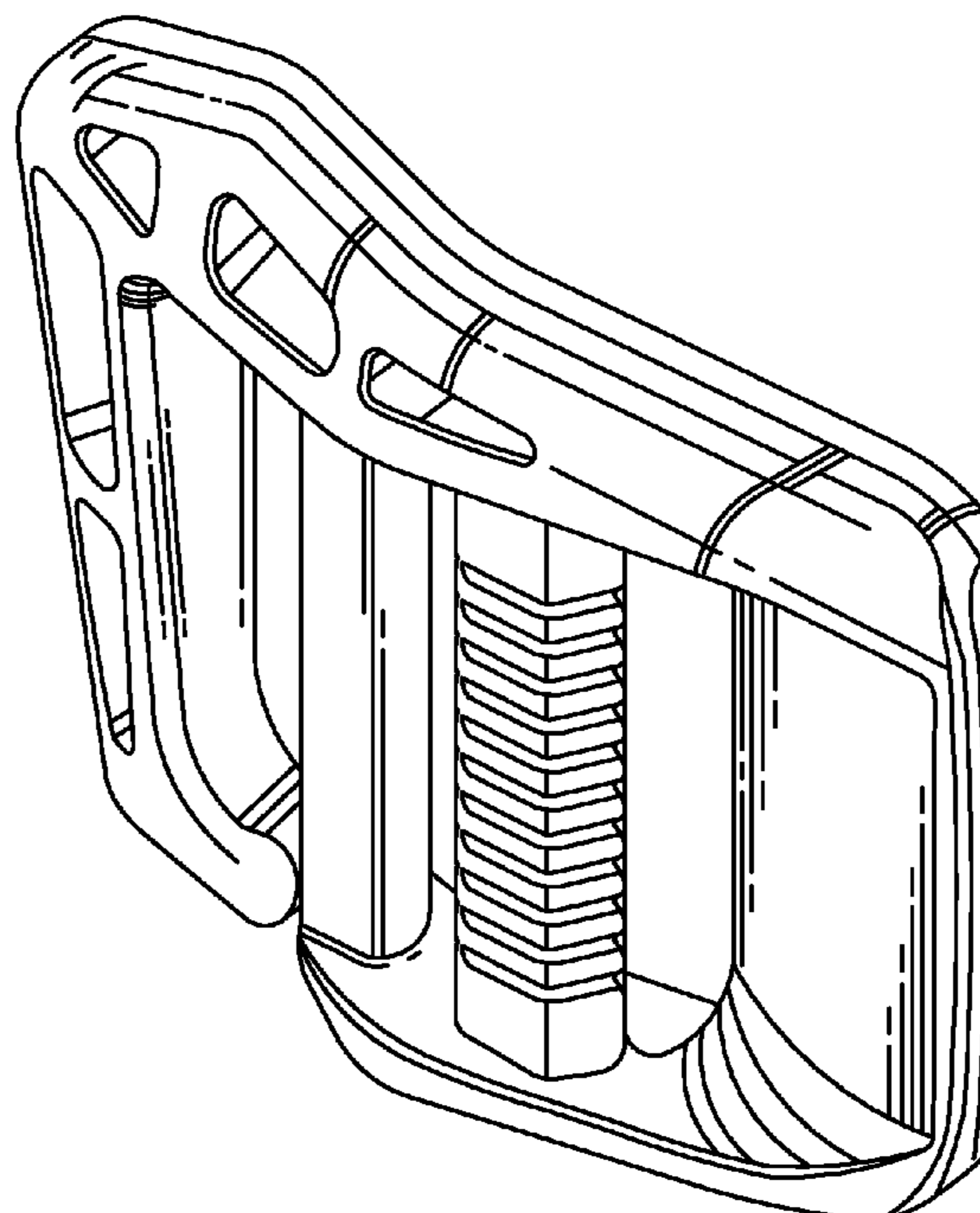


FIG.1

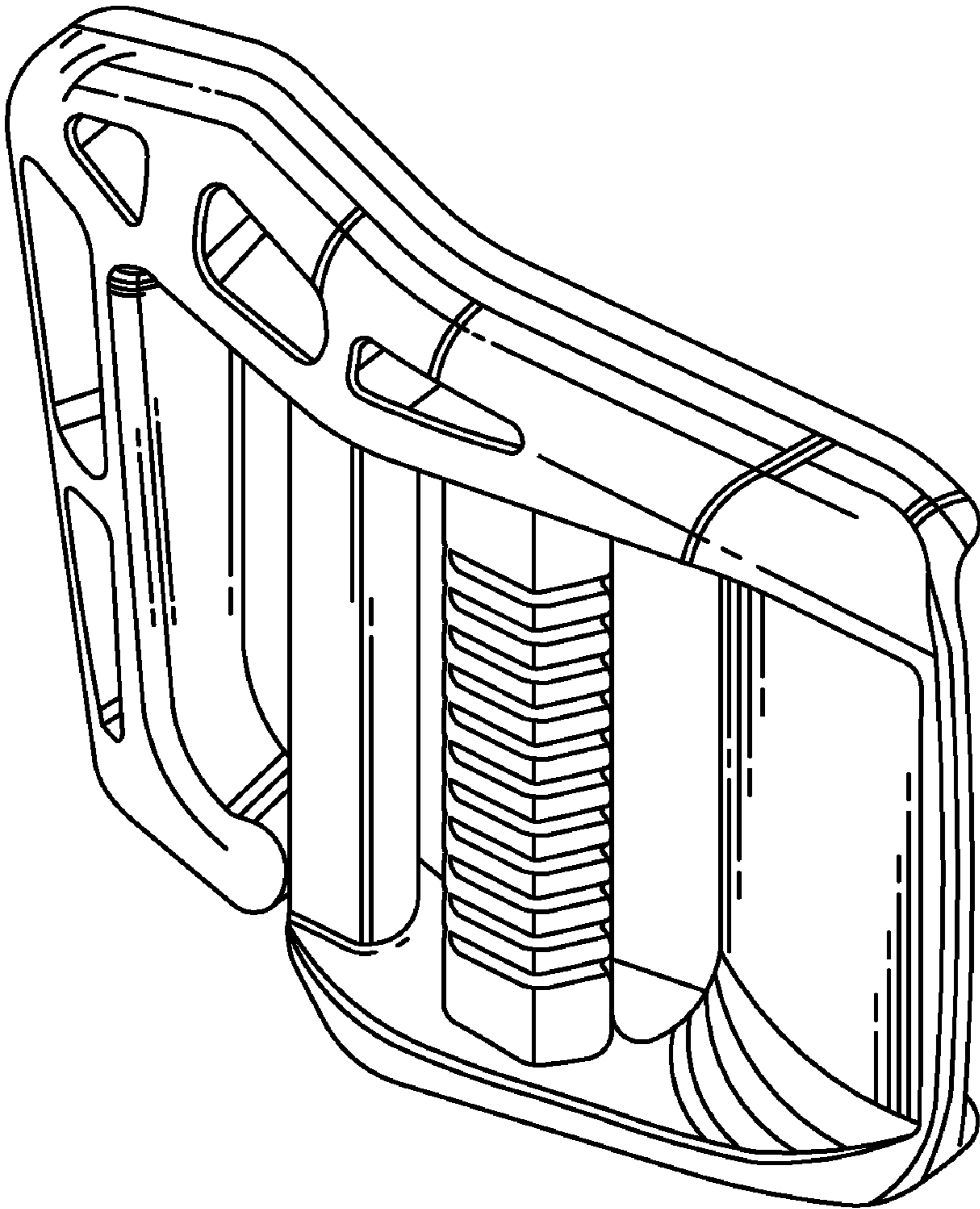


FIG. 2

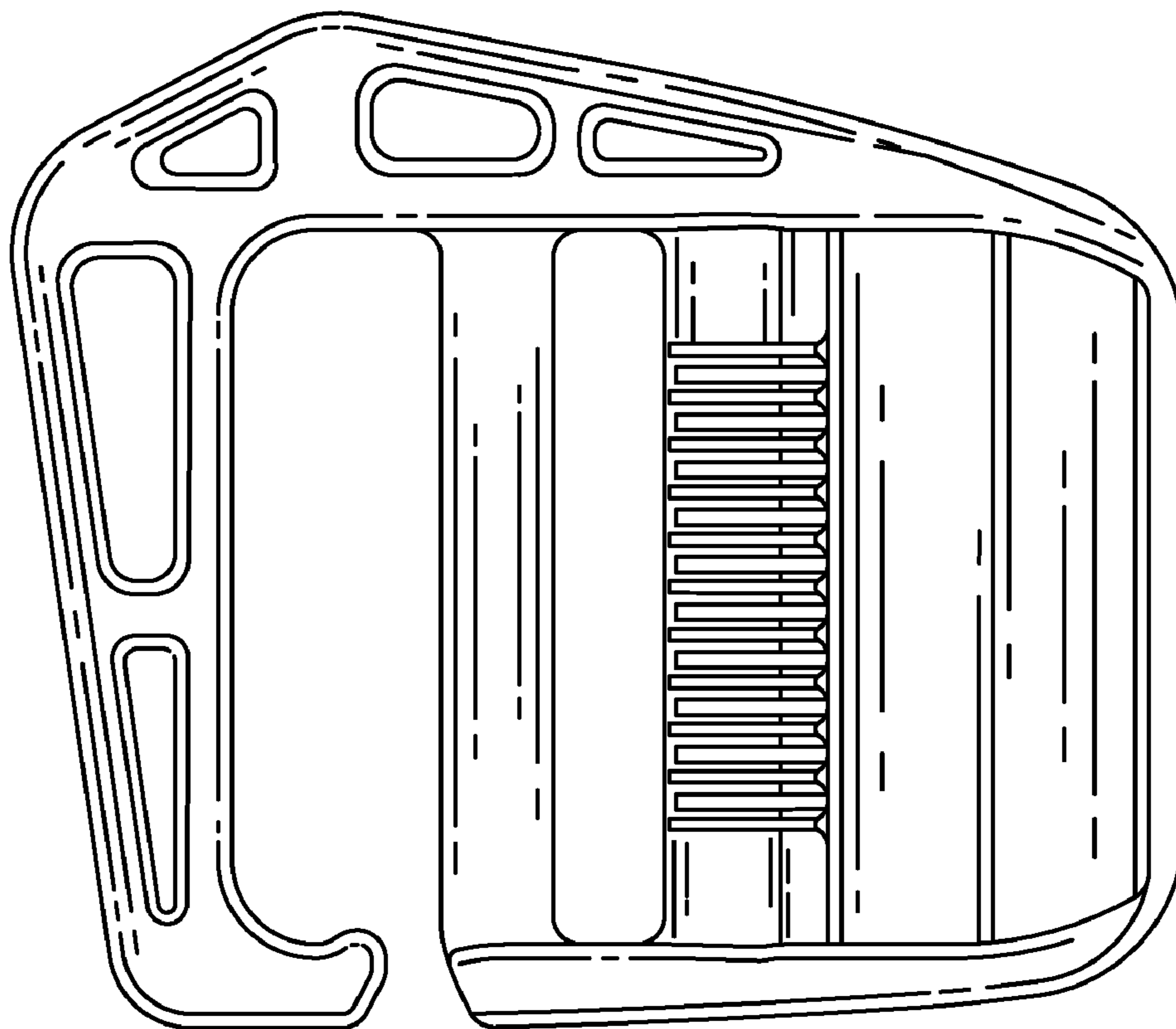


FIG.3

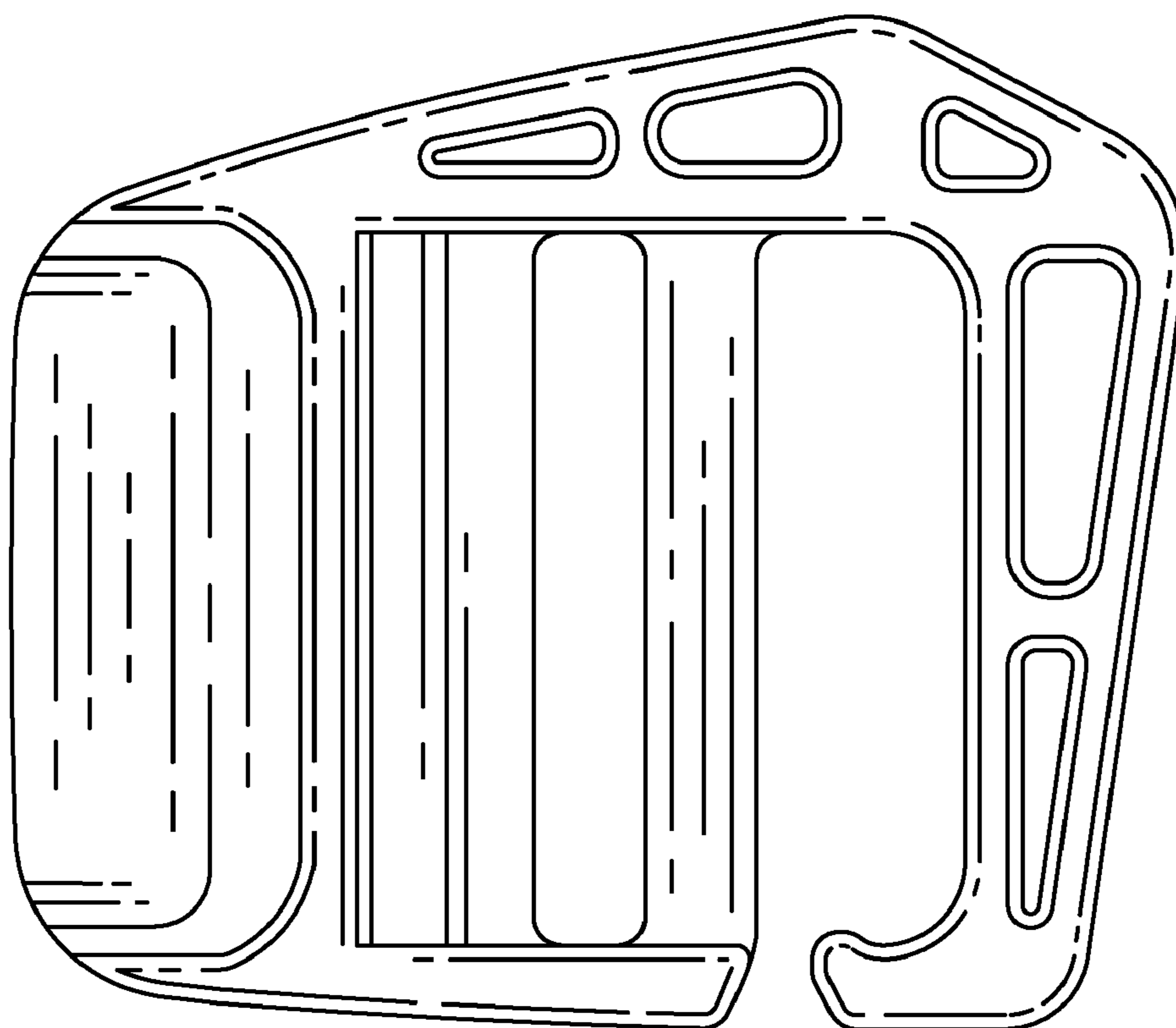


FIG.4

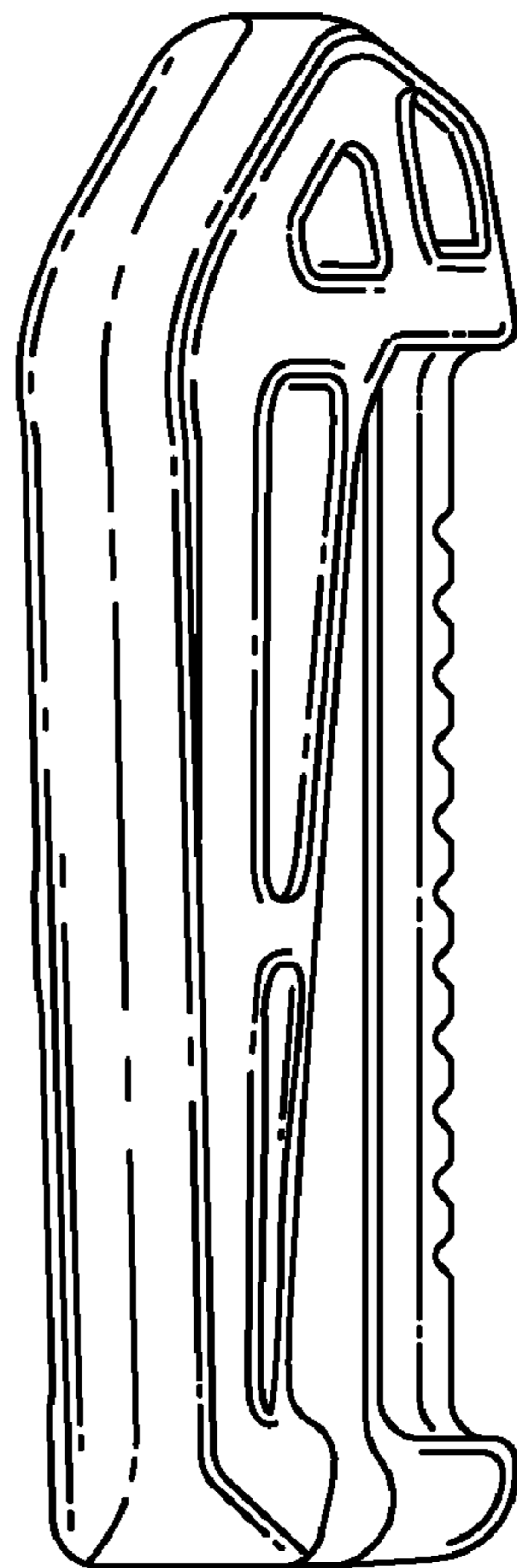


FIG.5

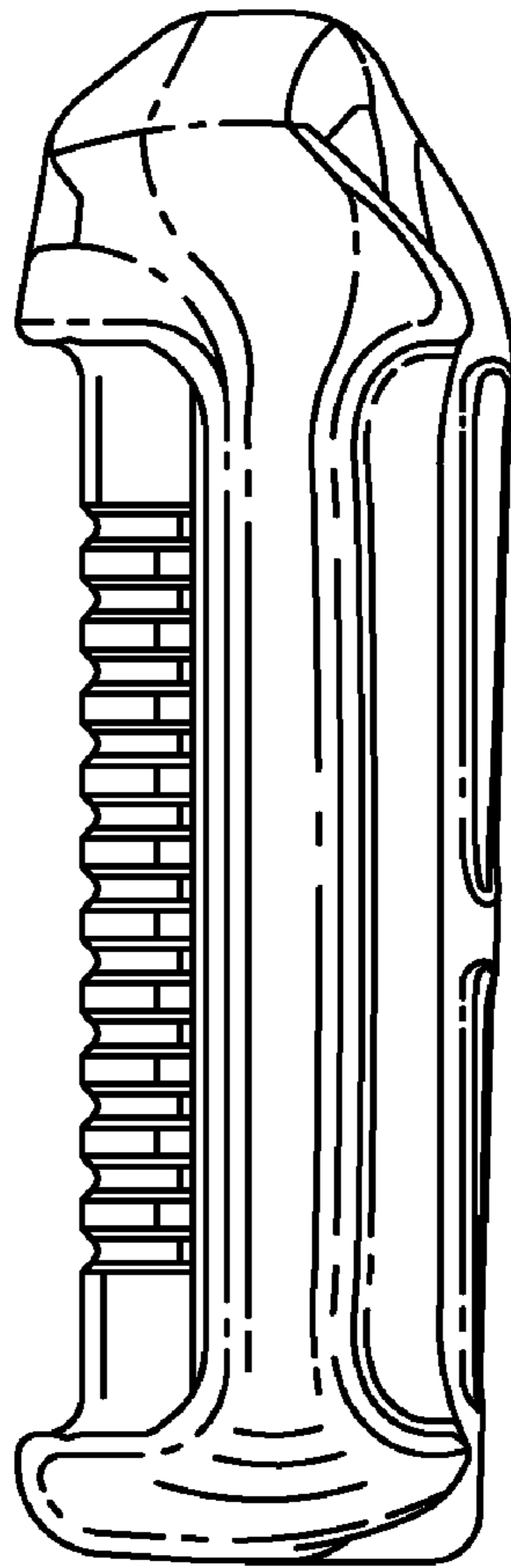


FIG.6

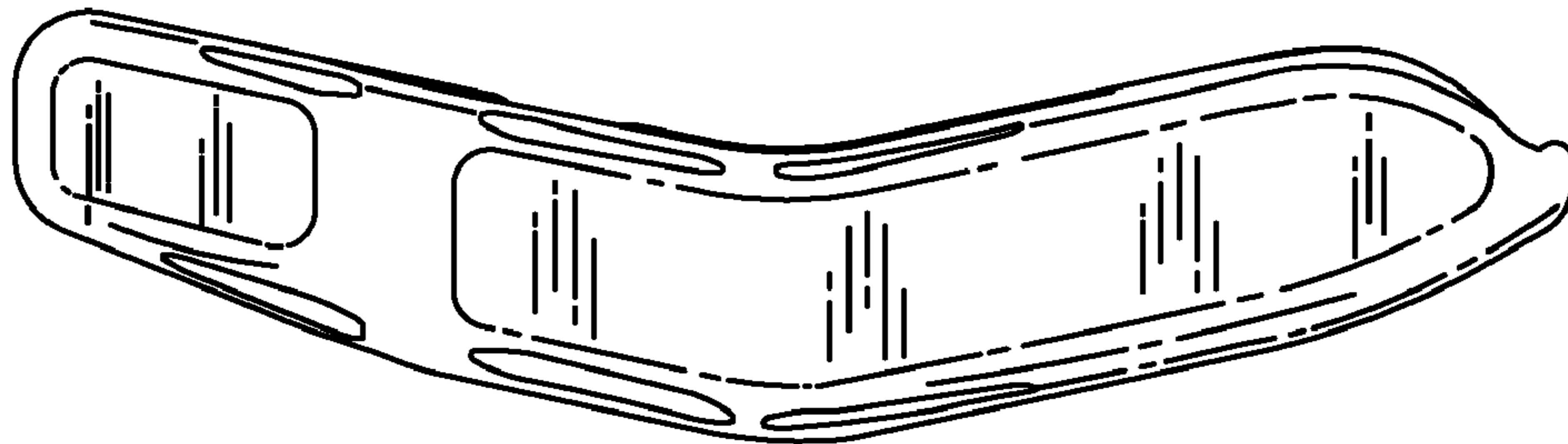


FIG.7

