

US00D661572S

(12) **United States Design Patent**
Bowman et al.

(10) **Patent No.:** **US D661,572 S**
(45) **Date of Patent:** **** Jun. 12, 2012**

(54) **ARTICULATING ARM**

(75) Inventors: **Stephen J. Bowman**, Allentown, PA
(US); **Bradley A. Derry**, Easton, PA
(US); **Odd N. Oddsen, Jr.**, Easton, PA
(US); **David VanDuzer**, Slatington, PA
(US)

(73) Assignee: **Innovative Office Products, Inc.**,
Easton, PA (US)

(**) Term: **14 Years**

(21) Appl. No.: **29/401,571**

(22) Filed: **Sep. 13, 2011**

(51) **LOC (9) Cl.** **08-05**

(52) **U.S. Cl.** **D8/363**

(58) **Field of Classification Search** D8/363,
D8/381; 248/235, 237, 245, 247, 278.1,
248/284.1

See application file for complete search history.

(56) **References Cited**

U.S. PATENT DOCUMENTS

D171,075 S * 12/1953 Bellon et al. D8/355
4,895,331 A * 1/1990 Nehls 248/245
D541,807 S 5/2007 Oddsen, Jr. et al.

D541,808 S 5/2007 Oddsen, Jr. et al.
D544,489 S 6/2007 Oddsen, Jr. et al.
7,389,965 B2 6/2008 Oddsen, Jr. et al.
7,540,457 B2 6/2009 Oddsen, Jr. et al.
7,703,732 B2 * 4/2010 Dantuono 248/235

* cited by examiner

Primary Examiner — Holly Baynham

(74) *Attorney, Agent, or Firm* — Design IP

(57) **CLAIM**

The ornamental design for an articulating arm, as shown and described.

DESCRIPTION

FIG. 1 is a perspective view of a first embodiment of an articulating arm in an extended configuration showing our new design;

FIG. 2 is a front view thereof;

FIG. 3 is a rear view thereof;

FIG. 4 is a right side view thereof;

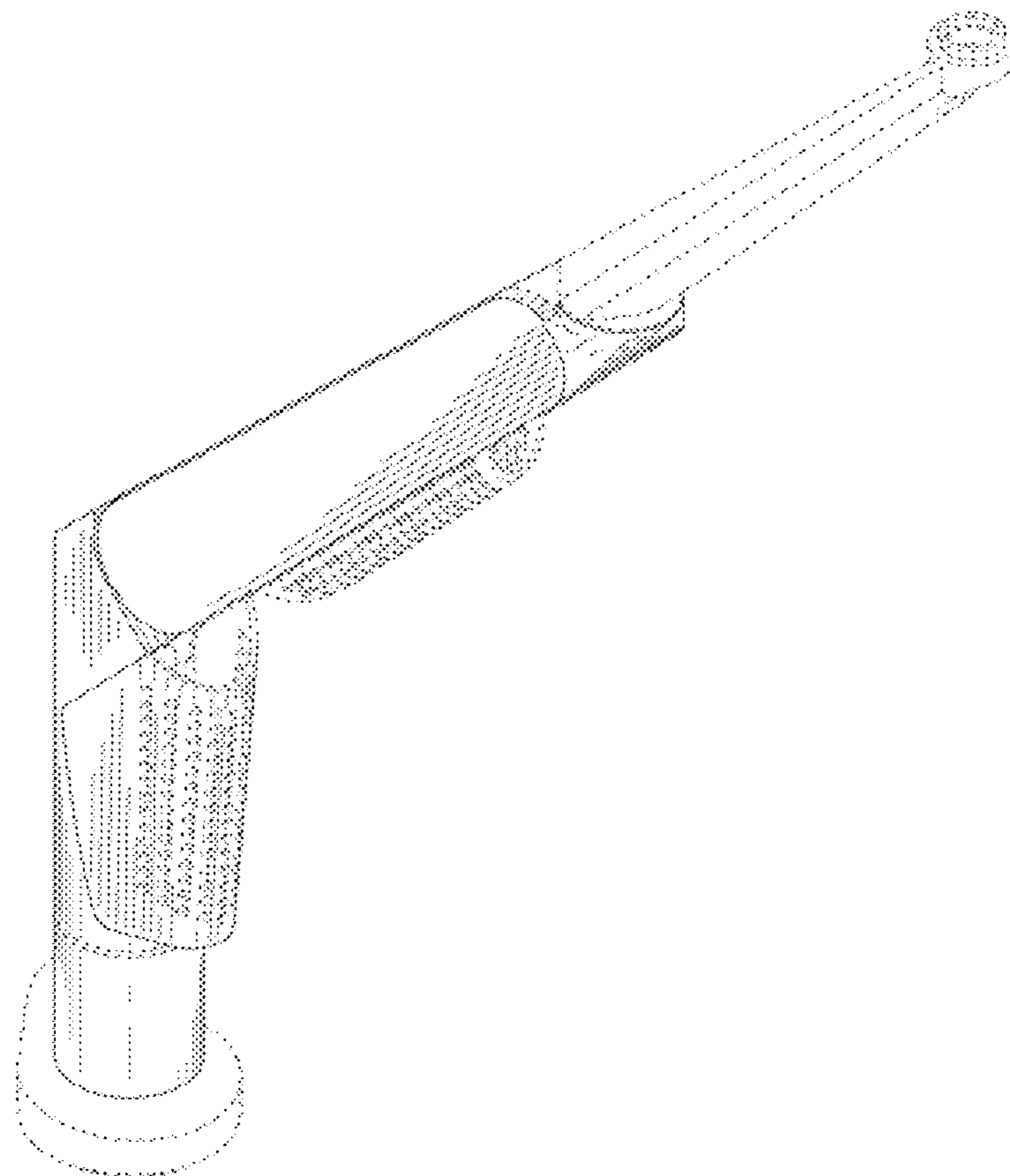
FIG. 5 is a left side view thereof;

FIG. 6 is a top view thereof; and,

FIG. 7 is a bottom view thereof.

The dashed lines shown in FIGS. 1-7 are included for the purpose of illustrating environmental subject matter only and form no part of the claimed design.

1 Claim, 5 Drawing Sheets



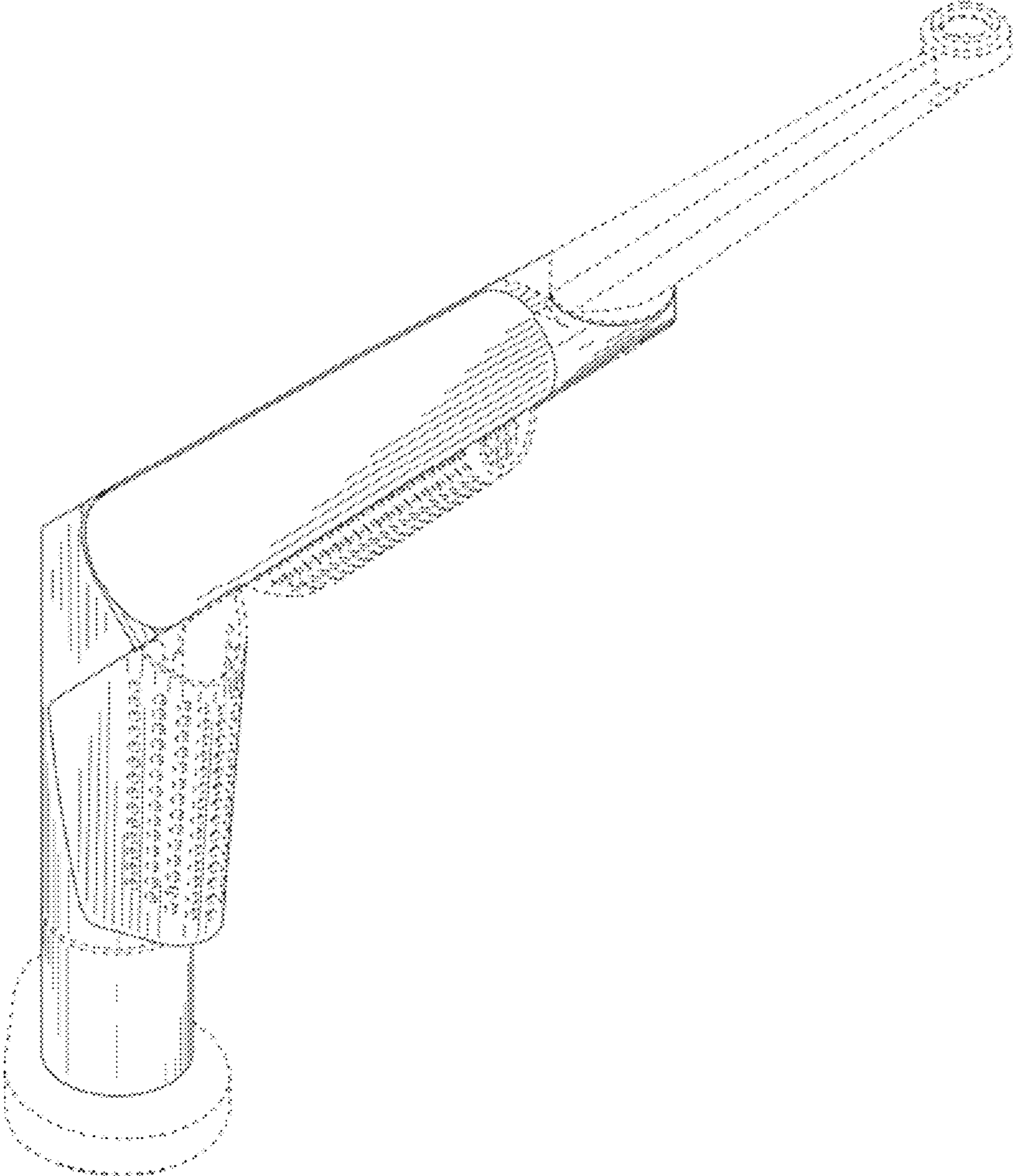


FIG. 1

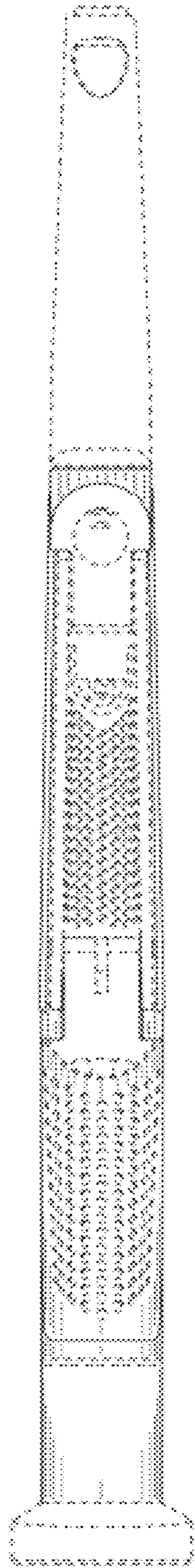


FIG. 2

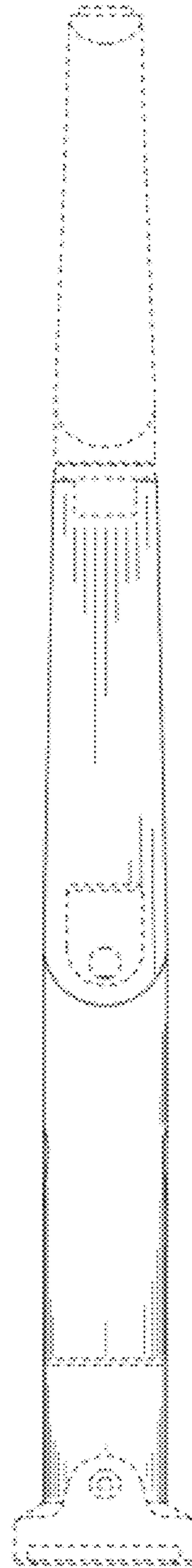


FIG. 3

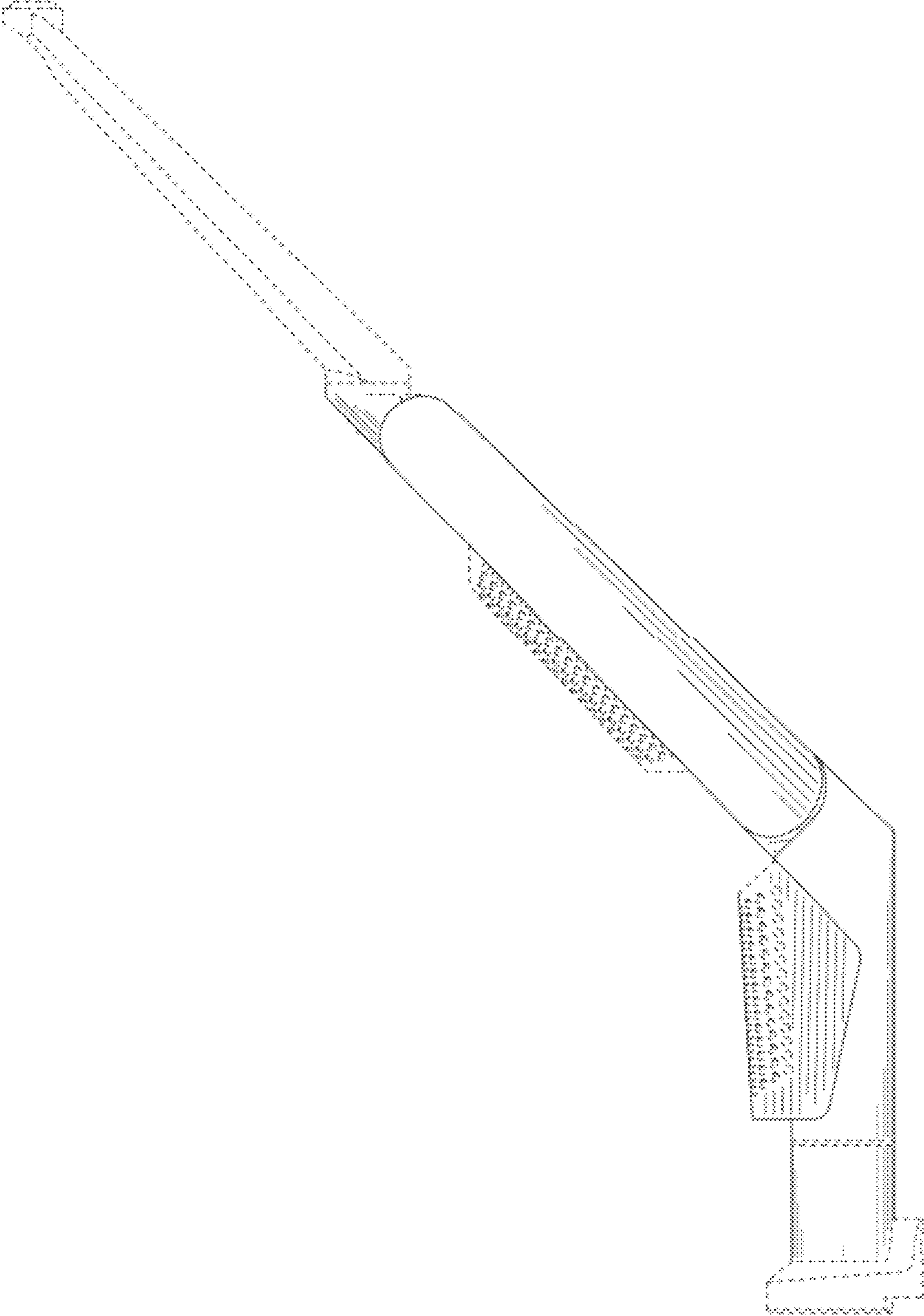


FIG. 4

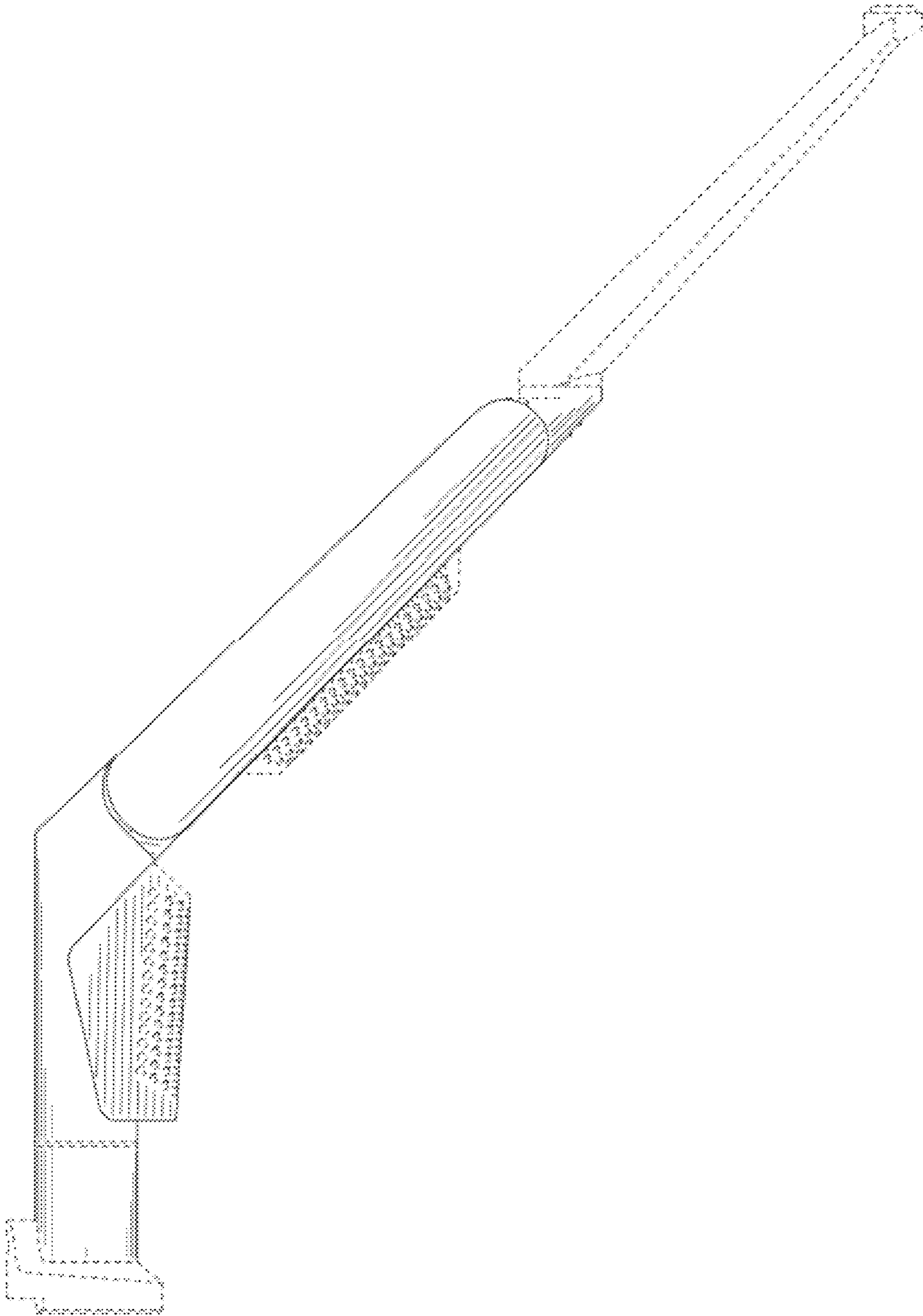


FIG. 5

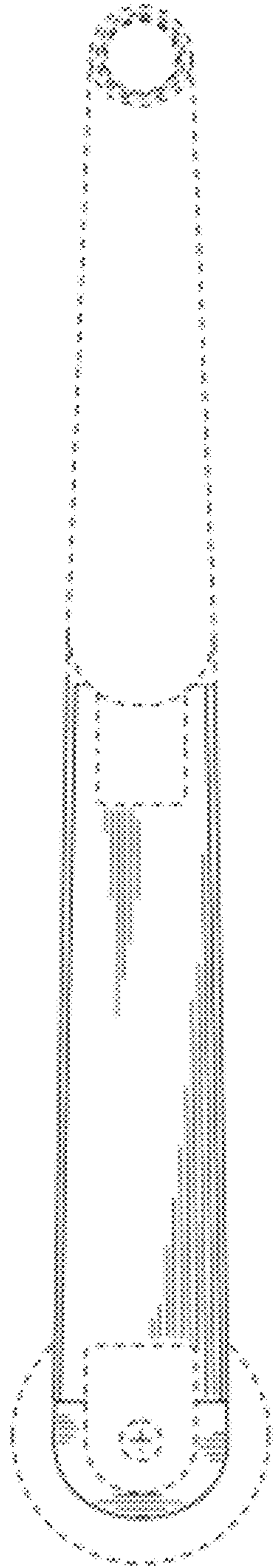


FIG. 6

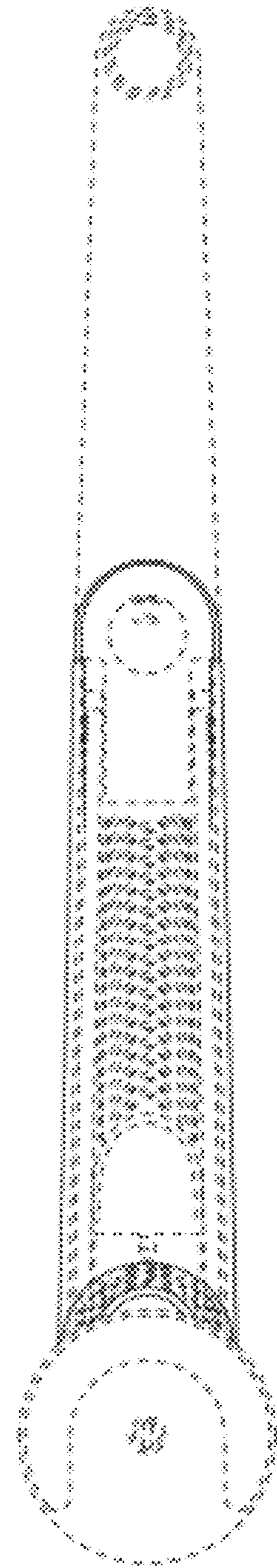


FIG. 7