



US00D661571S

(12) **United States Design Patent**  
**Vogler et al.**

(10) **Patent No.:** **US D661,571 S**  
(45) **Date of Patent:** **\*\* Jun. 12, 2012**

(54) **HOSE REEL ENCLOSURE**

(75) Inventors: **Michael R. Vogler**, Oswego, IL (US);  
**Michael Thuma**, La Grange, IL (US)

(73) Assignee: **Suncast Technologies, LLC**, Palm  
Beach Gardens, FL (US)

(\*\*) Term: **14 Years**

(21) Appl. No.: **29/384,003**

(22) Filed: **Jan. 25, 2011**

(51) **LOC (9) Cl.** ..... **08-05**

(52) **U.S. Cl.** ..... **D8/358**

(58) **Field of Classification Search** ..... D8/356,  
D8/358, 359; 137/355.26, 355.27; 242/397.5,  
242/389, 390, 390.1, 395, 398, 405; D7/540;  
D21/800; D34/14-19, 24, 25; D10/72  
See application file for complete search history.

(56) **References Cited**

**U.S. PATENT DOCUMENTS**

D551,061 S \* 9/2007 English et al. .... D8/359  
D561,010 S \* 2/2008 Anderson et al. .... D8/358  
D636,253 S \* 4/2011 Hatcher et al. .... D8/356

\* cited by examiner

*Primary Examiner* — Susan Bennett Hattan

*Assistant Examiner* — Barbara B Lohr

(74) *Attorney, Agent, or Firm* — McHale & Slavin, P.A.

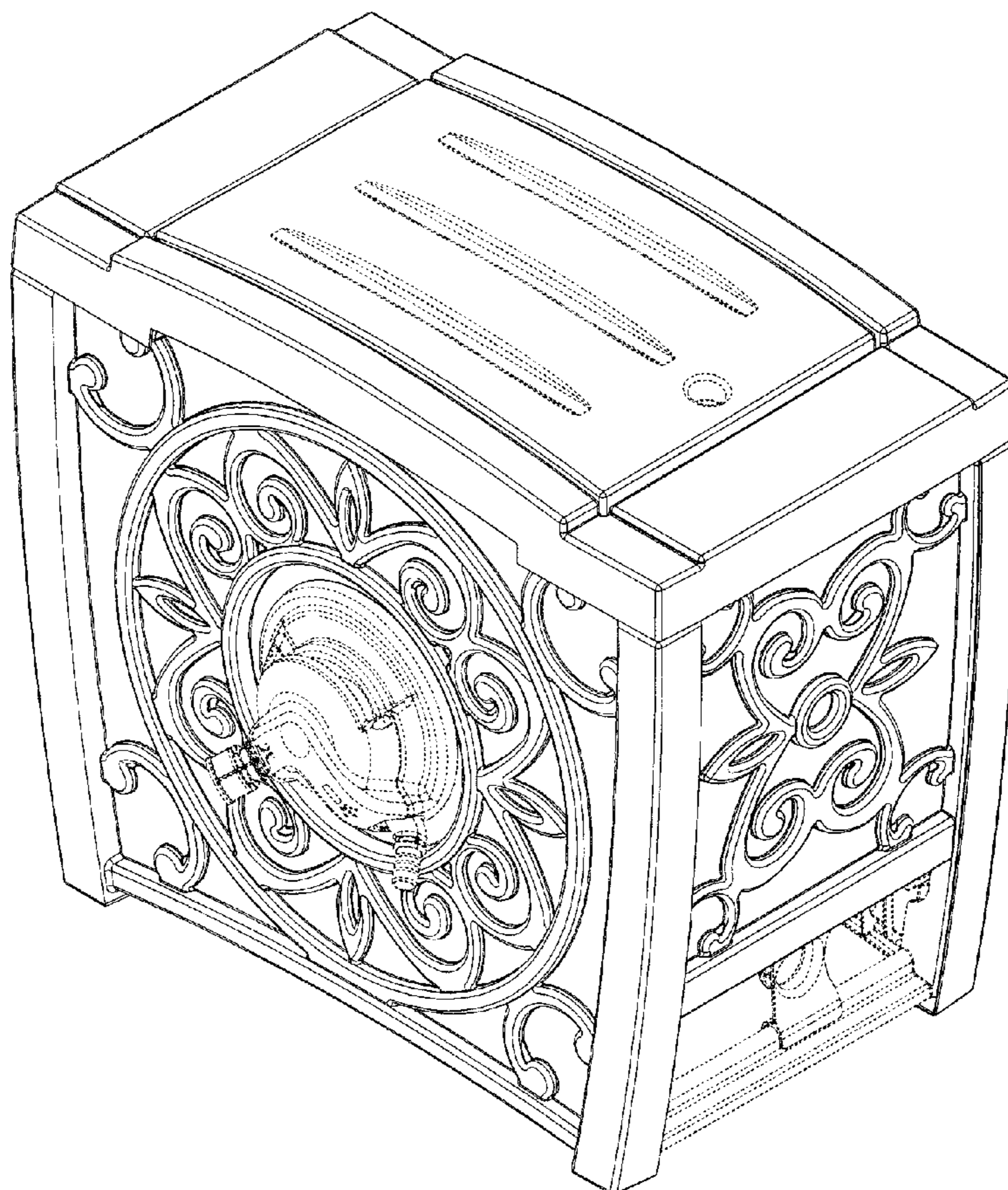
(57) **CLAIM**

The ornamental design for a hose reel enclosure, as shown and described.

**DESCRIPTION**

FIG. 1 is a top-left perspective view of the hose reel enclosure of the instant invention;  
FIG. 2 is a top-right perspective view thereof;  
FIG. 3 is a front view thereof;  
FIG. 4 is a top view thereof;  
FIG. 5 is a left side view thereof; and,  
FIG. 6 is a right side view thereof.  
The portions of the Figures illustrated in broken lines depict environmental subject matter only and form no part of the claimed design.

**1 Claim, 6 Drawing Sheets**



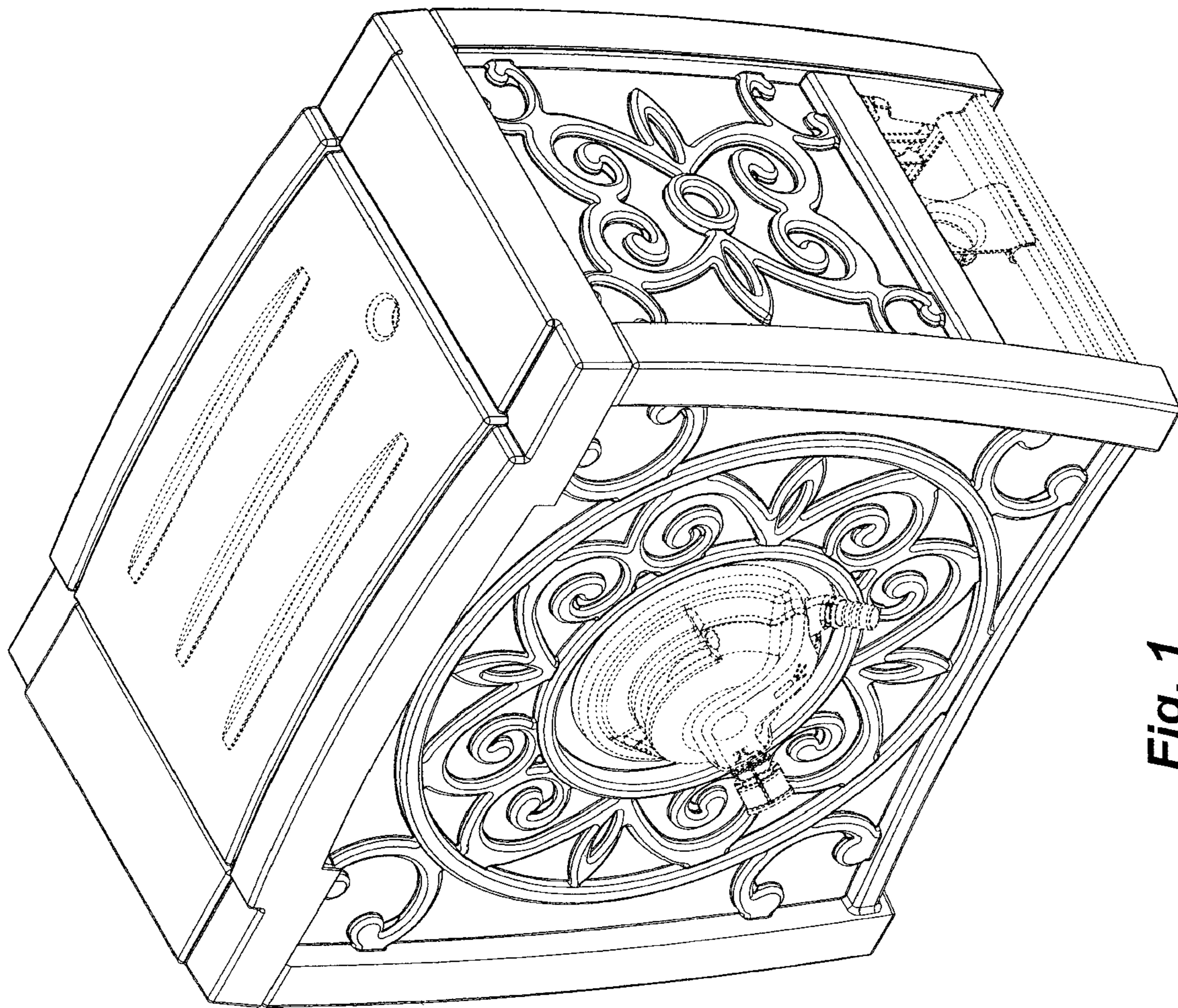


Fig. 1

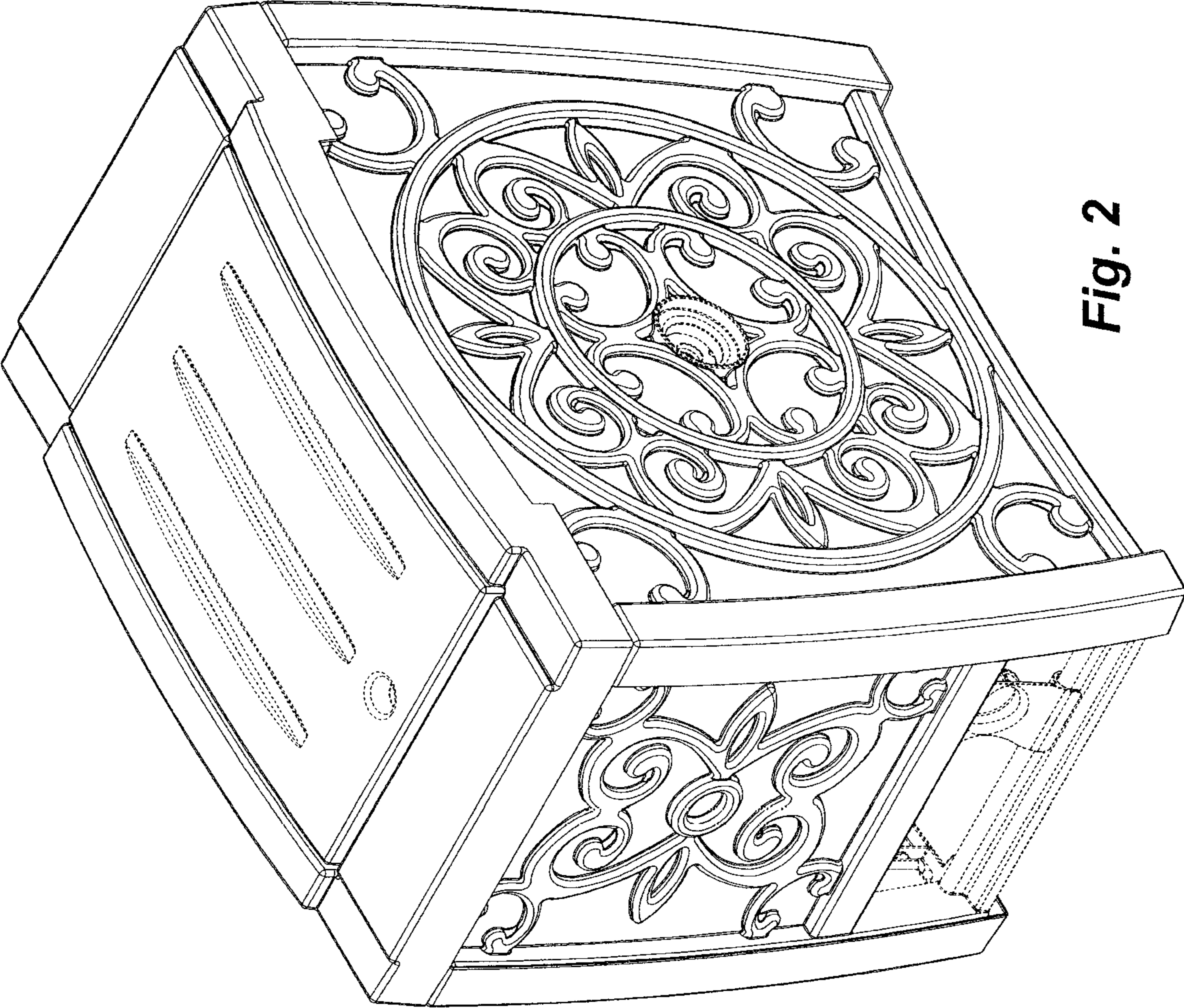


Fig. 2

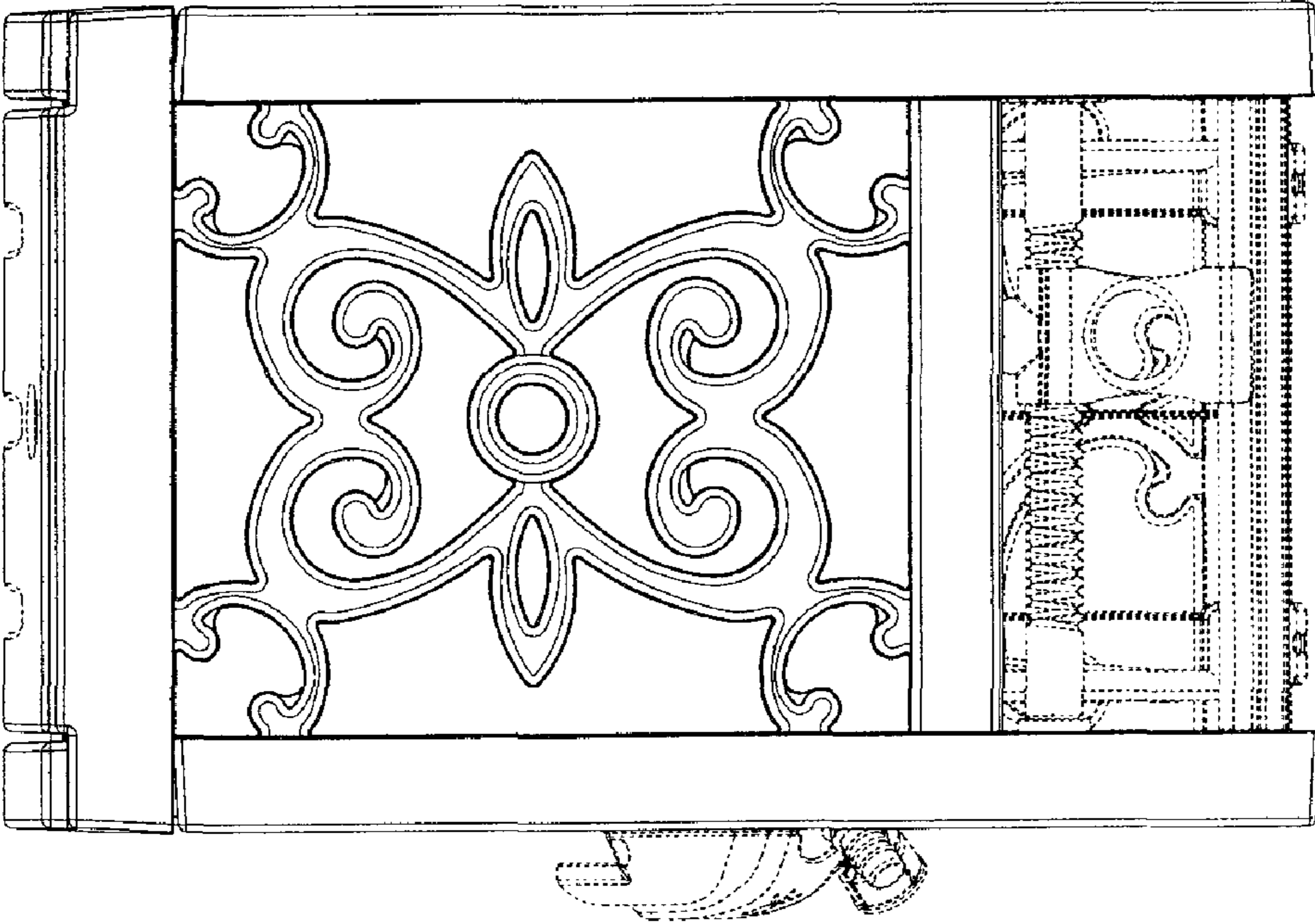


Fig. 3

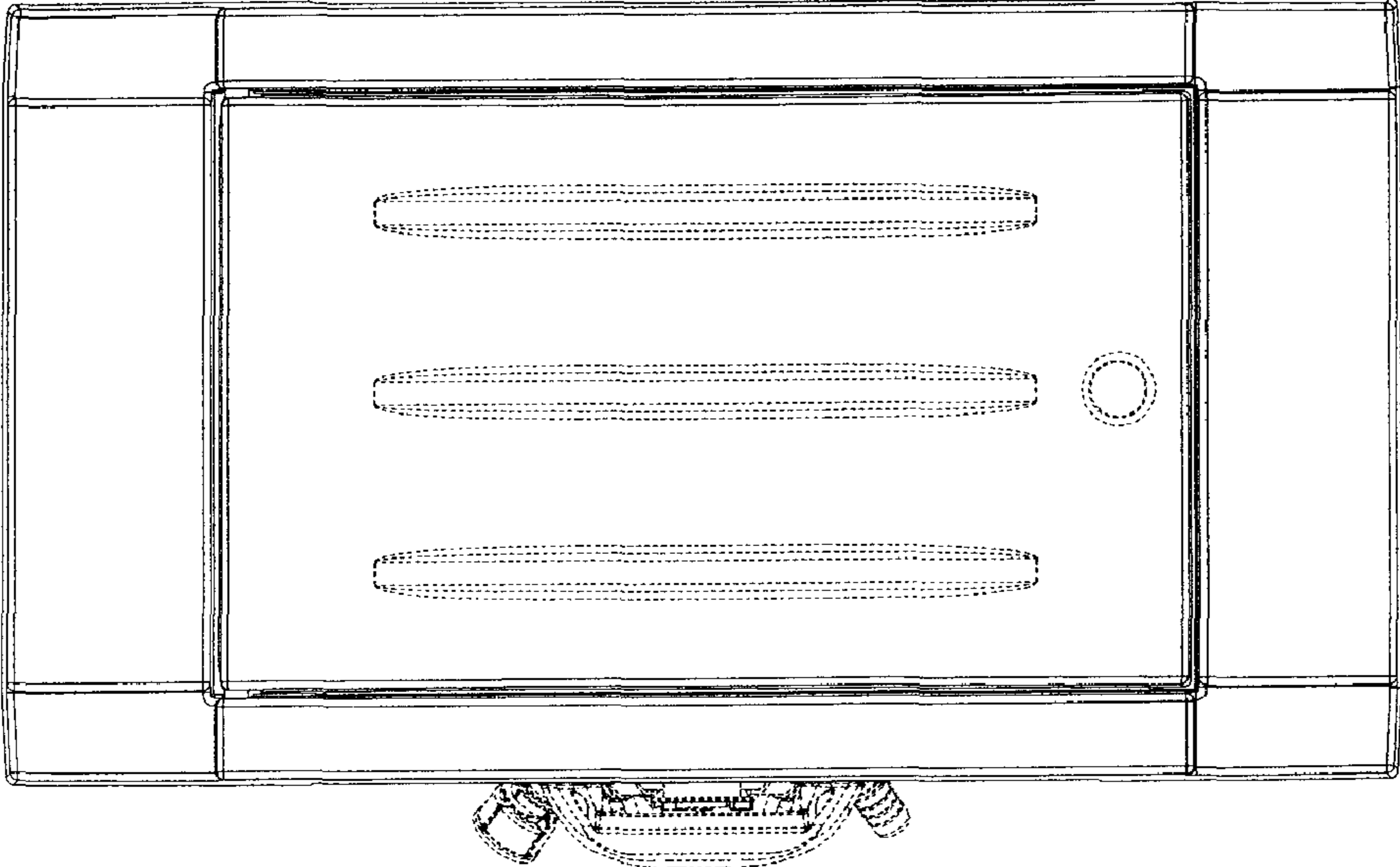


Fig. 4

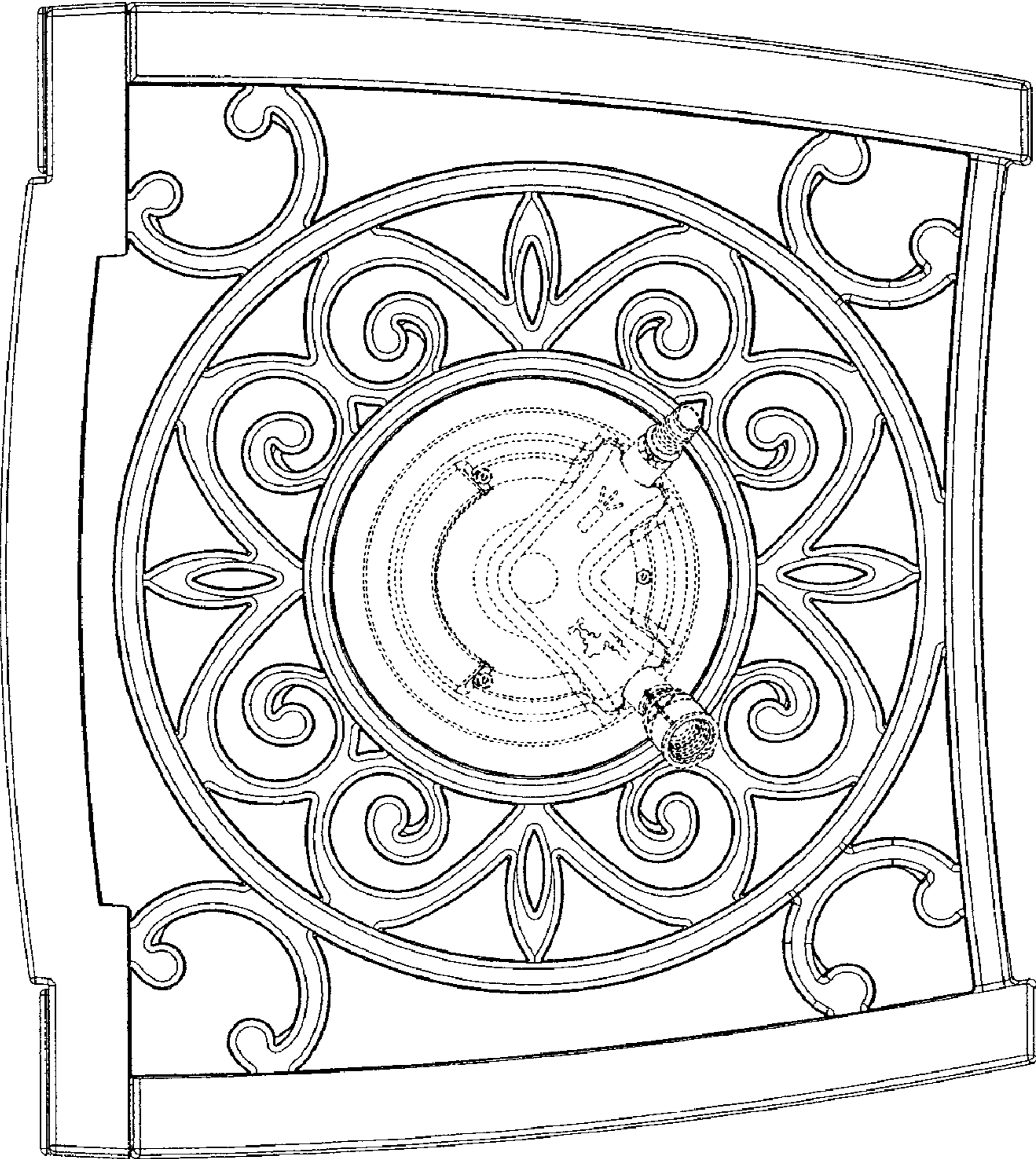


Fig. 5

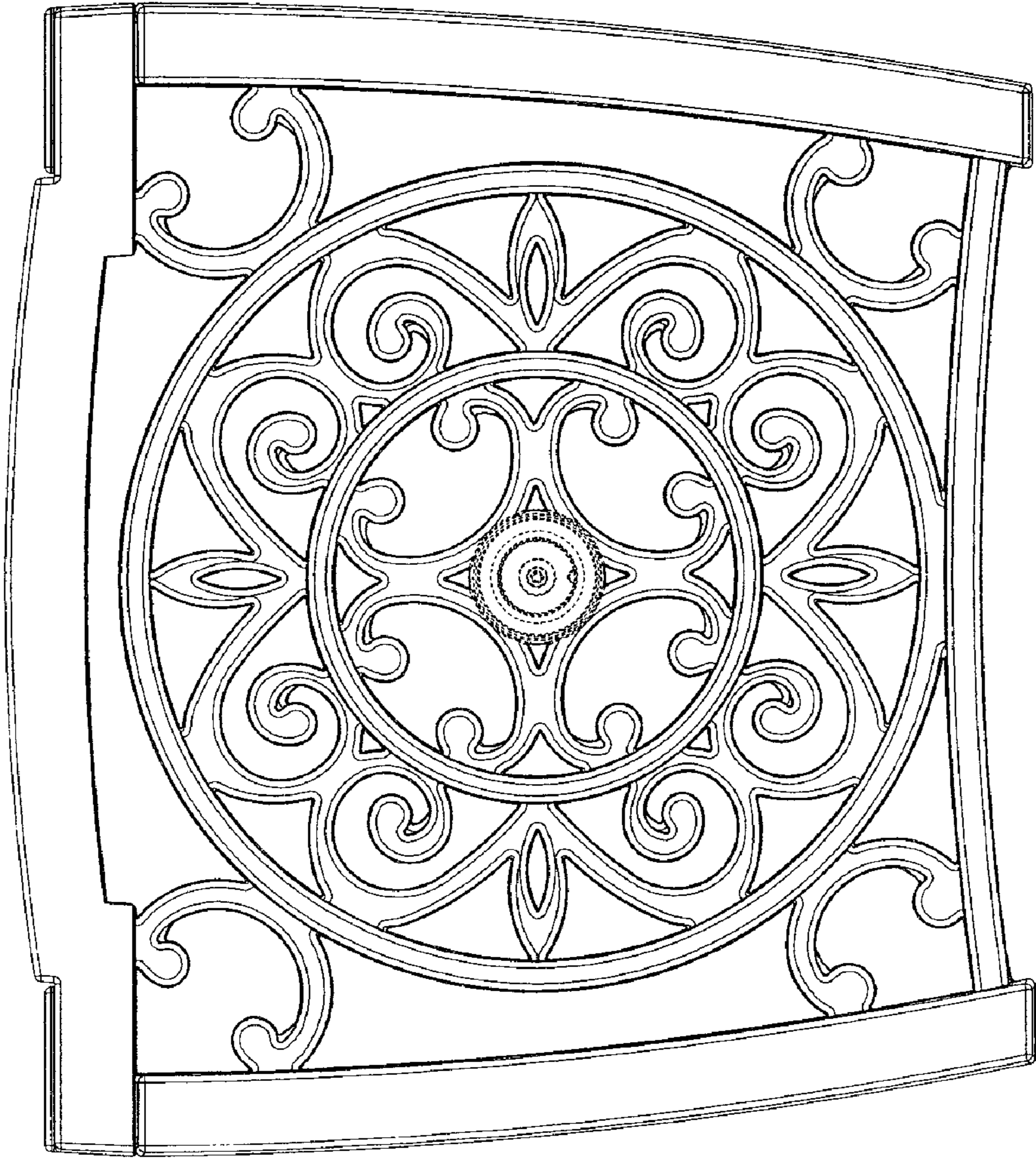


Fig. 6