



US00D661566S

(12) **United States Design Patent**
Comstock et al.

(10) **Patent No.:** **US D661,566 S**
(45) **Date of Patent:** **** Jun. 12, 2012**

(54) **SANDING BLOCK**
(75) Inventors: **Matthew S. Comstock**, Loveland, CO
(US); **Kyle Davis**, Overland Park, KS
(US); **Weng Po Hsien**, Dongguan (CN)
(73) Assignee: **L.A.D. Global Enterprises, Inc.**,
Olathe, KS (US)
(**) Term: **14 Years**

D406,515	S	3/1999	Ali	
D406,516	S *	3/1999	Ali	D8/90
D406,517	S *	3/1999	Ali	D8/90
6,062,966	A *	5/2000	Ali et al.	451/503
6,261,031	B1 *	7/2001	Stipe et al.	407/29.15
6,663,479	B2 *	12/2003	Sendelbeck	451/523
6,960,125	B2 *	11/2005	Mick	451/525
D564,325	S *	3/2008	Henke et al.	D8/90
7,419,423	B1 *	9/2008	Reeves, Sr.	451/523
D585,711	S *	2/2009	Kang	D8/14
2006/0135049	A1 *	6/2006	Petersen et al.	451/495
2011/0287702	A1 *	11/2011	Toyama	451/524

(21) Appl. No.: **29/402,045**
(22) Filed: **Sep. 20, 2011**
(51) **LOC (9) Cl.** **08-05**
(52) **U.S. Cl.** **D8/90**
(58) **Field of Classification Search** D8/90-94;
D32/40; 451/502-503, 523-525, 539-540,
451/557-558; D6/601
See application file for complete search history.

OTHER PUBLICATIONS

Automotive Collision Repair-Sanding Block. Downloaded Jan. 30,
2012 at http://lad-global.com/prod_tools.html.*

* cited by examiner

Primary Examiner — Adir Aronovich
Assistant Examiner — Roselynn Cody
(74) *Attorney, Agent, or Firm* — Erickson Kernell
Derousseau & Kleypas, LLC

(56) **References Cited**

U.S. PATENT DOCUMENTS

1,599,906	A	9/1926	McKnight	
2,112,593	A *	3/1938	Campbell	451/502
D152,607	S *	2/1949	Gerlinger	D8/90
RE23,558	E *	9/1952	Titcomb	451/540
2,765,593	A	10/1956	Salmon et al.	
3,089,294	A *	5/1963	Cowley	451/524
4,221,084	A	9/1980	Frantzen	
4,501,096	A *	2/1985	Lukianoff	451/502
4,640,060	A *	2/1987	Lukianoff	451/502
4,887,396	A *	12/1989	Lukianoff	451/523
D365,507	S	12/1995	Pope	
5,474,490	A *	12/1995	Allport	451/58
5,588,904	A *	12/1996	Allport	451/512
D377,305	S *	1/1997	Bliss	D8/90
D392,868	S *	3/1998	Ansalvish	D8/90
5,863,243	A *	1/1999	Ali	451/503
D406,037	S *	2/1999	Ali	D8/90
D406,224	S *	3/1999	Ali	D8/90
D406,514	S *	3/1999	Ali	D8/90

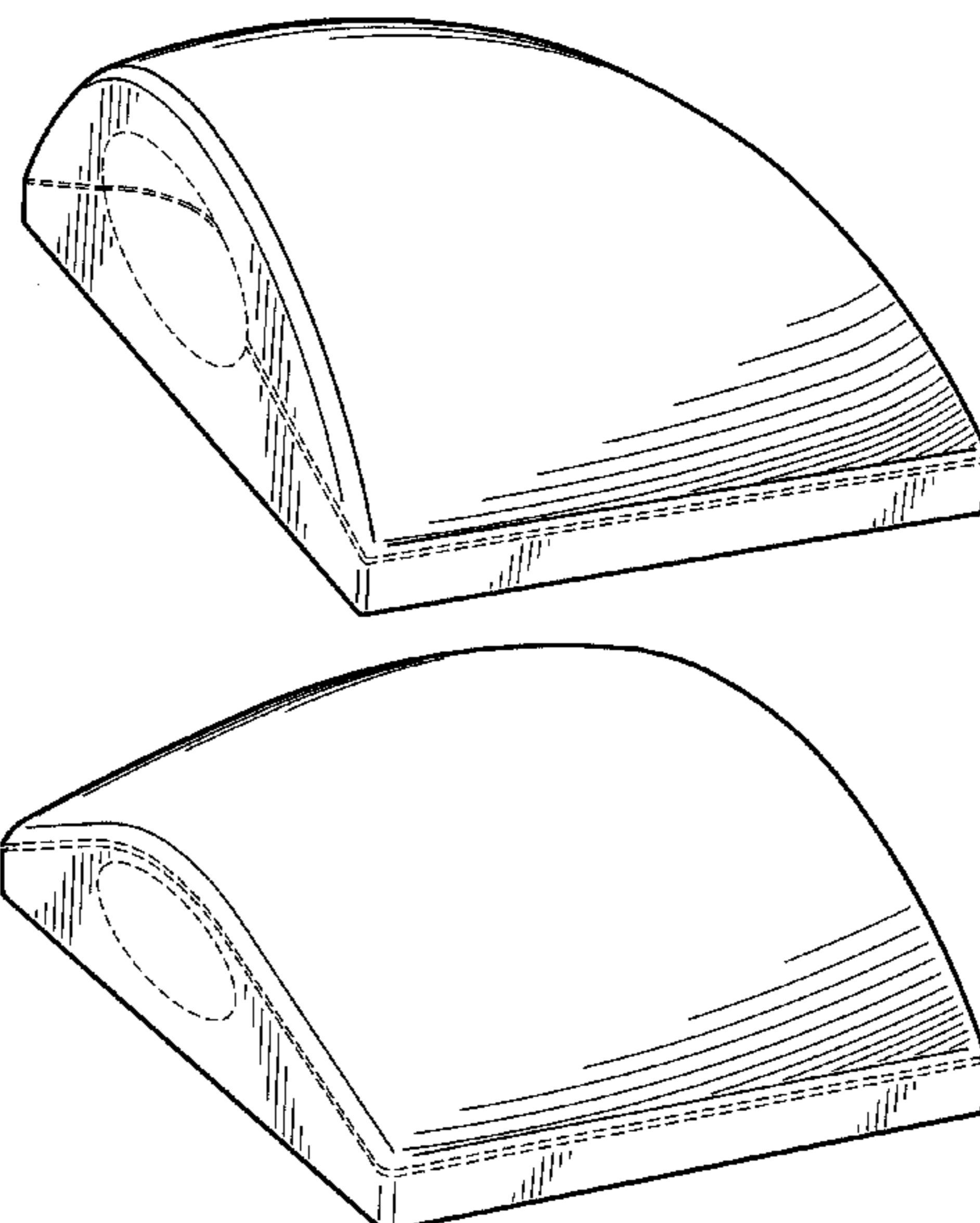
(57) **CLAIM**

The ornamental design for a sanding block, as shown and
described.

DESCRIPTION

FIG. 1 is a rear and left side perspective view of the sanding
block showing the new design;
FIG. 2 is a front and right side perspective view thereof;
FIG. 3 is a top view of the sanding block, on a reduced scale;
FIG. 4 is a front view thereof;
FIG. 5 is a right side view thereof;
FIG. 6 is a rear view thereof;
FIG. 7 is a left side view thereof; and,
FIG. 8 is a bottom view thereof.
The phantom lines in the drawings illustrate aspects of the
sanding block that form no part of the claimed design.

1 Claim, 3 Drawing Sheets



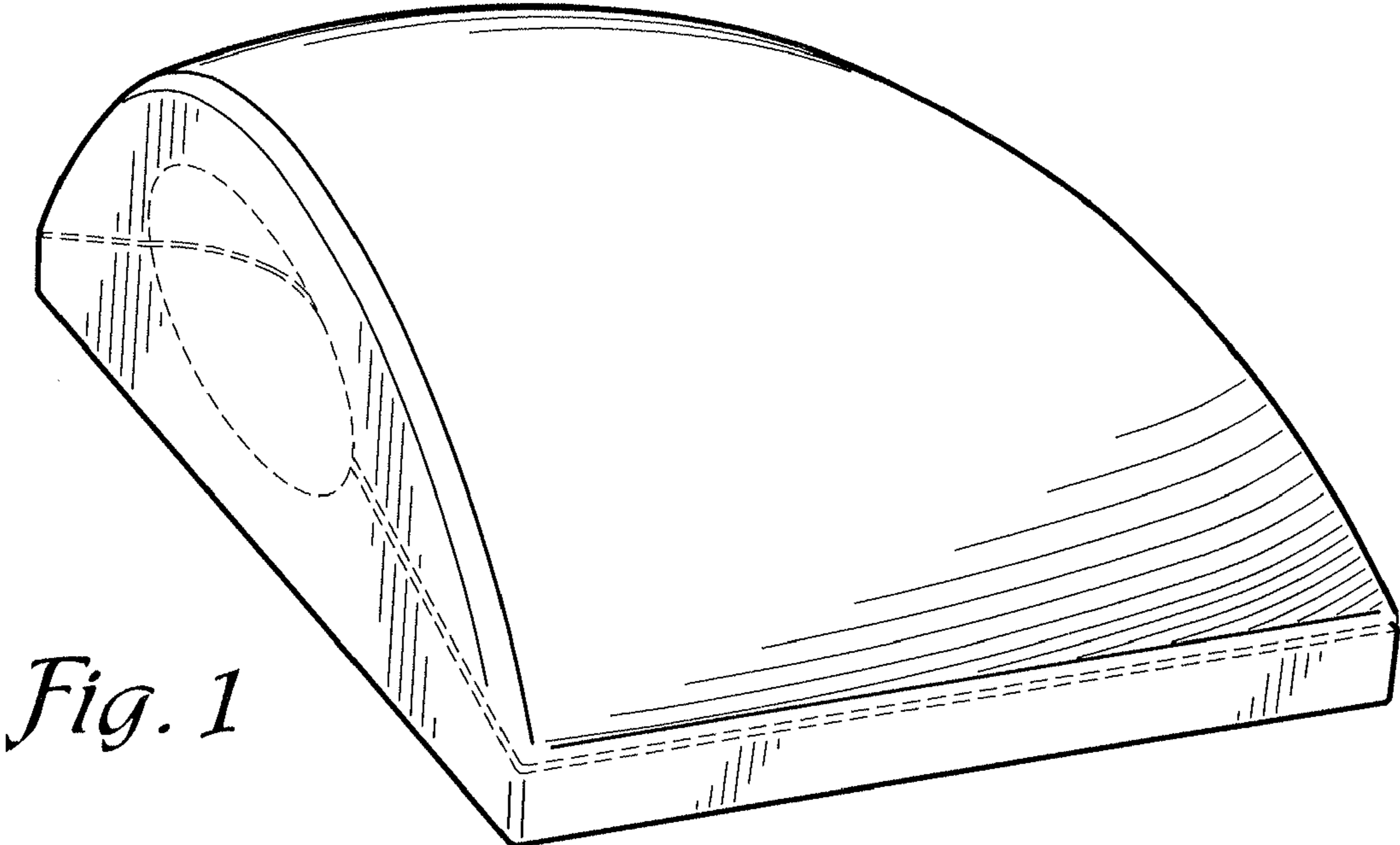


Fig. 1

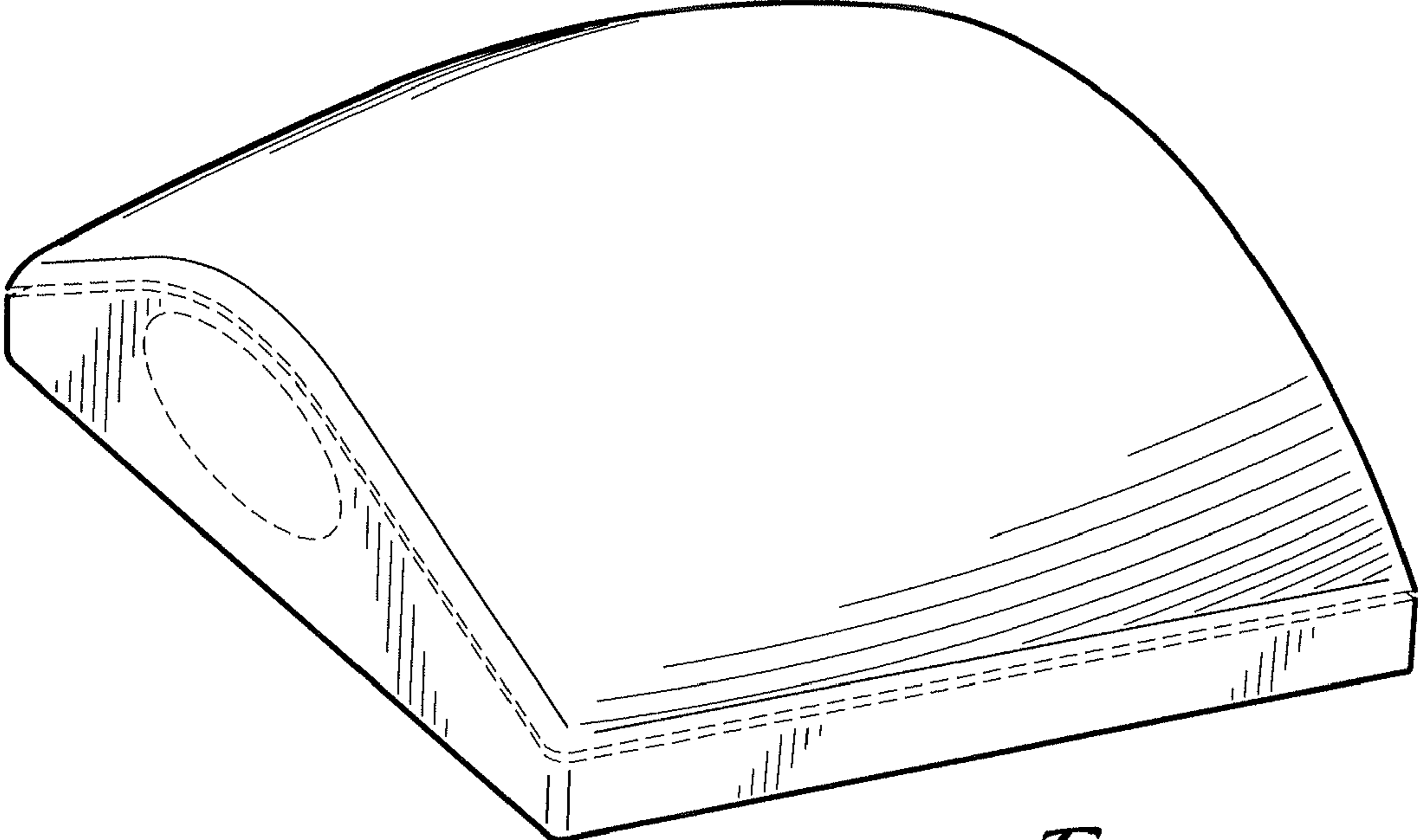


Fig. 2

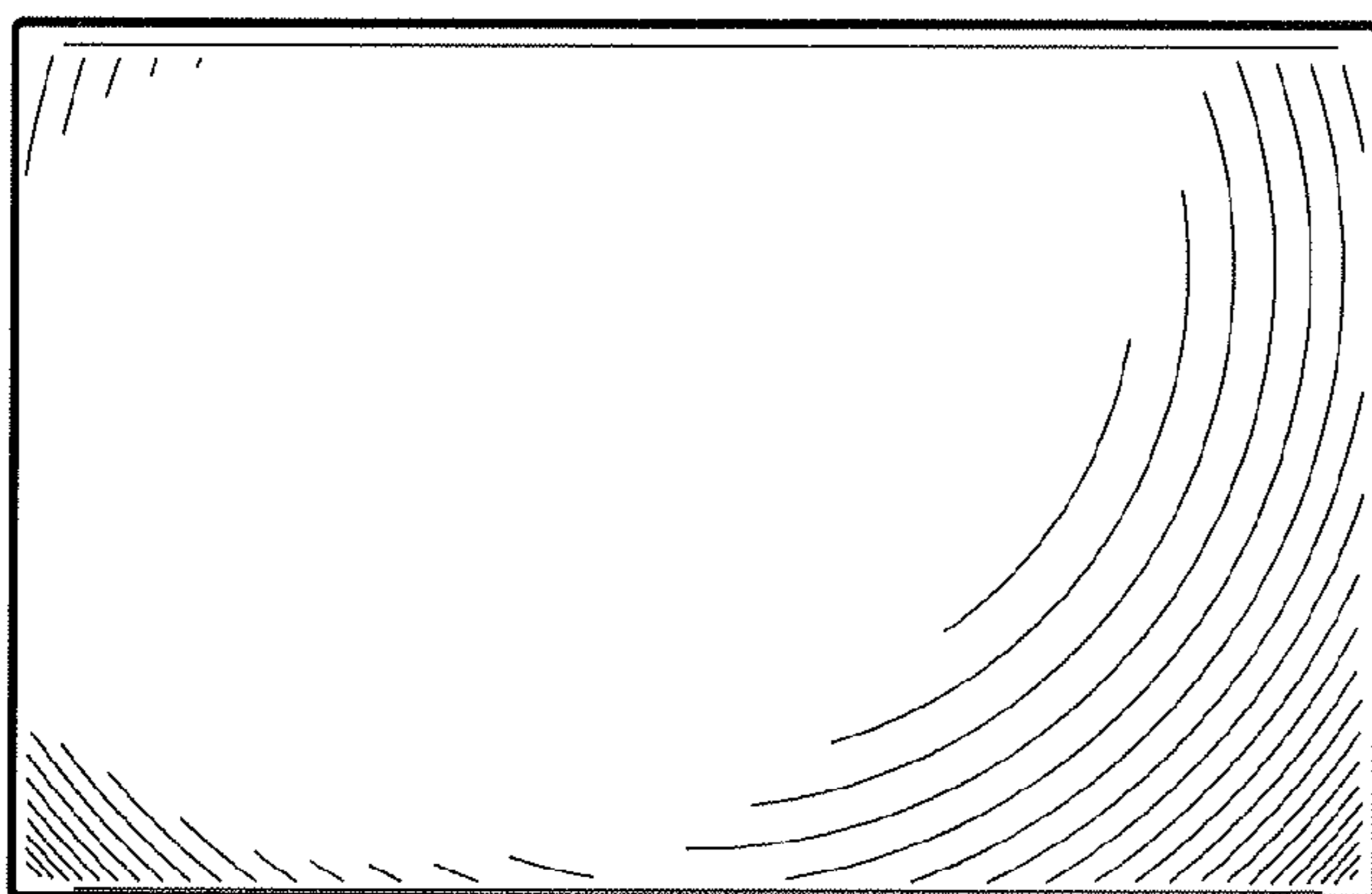


Fig. 3

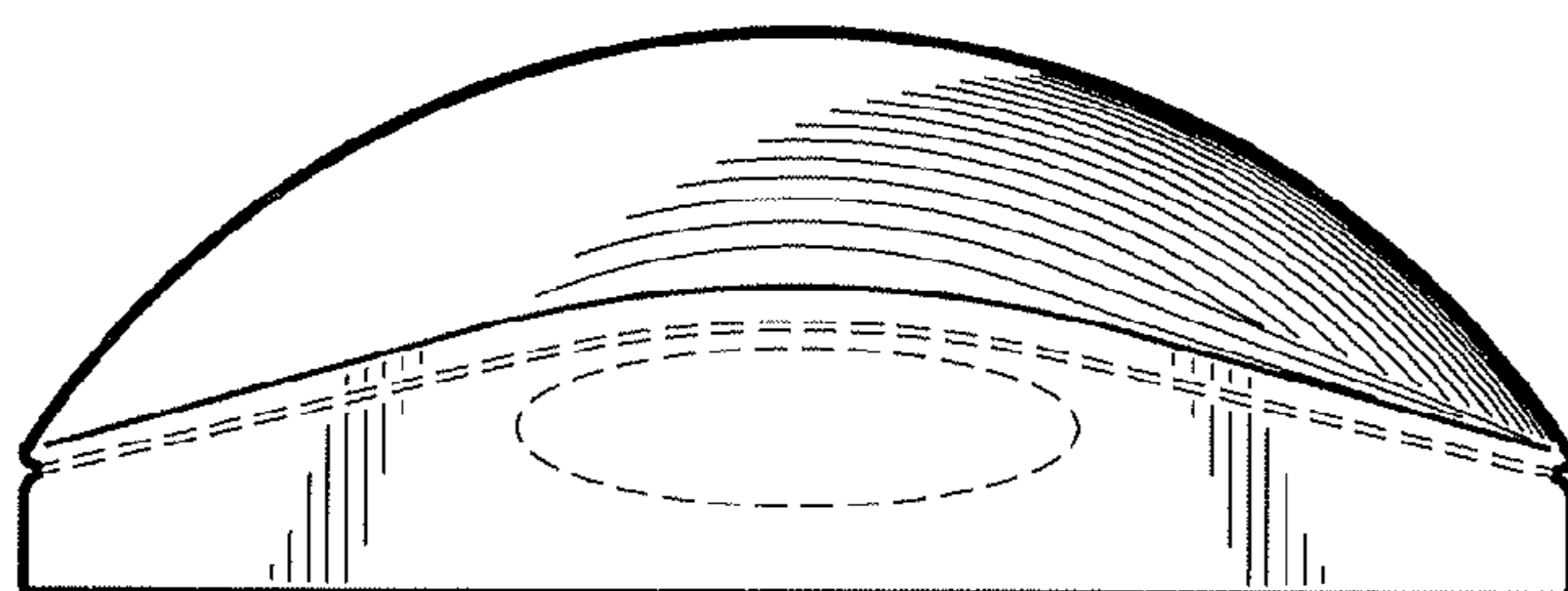


Fig. 4

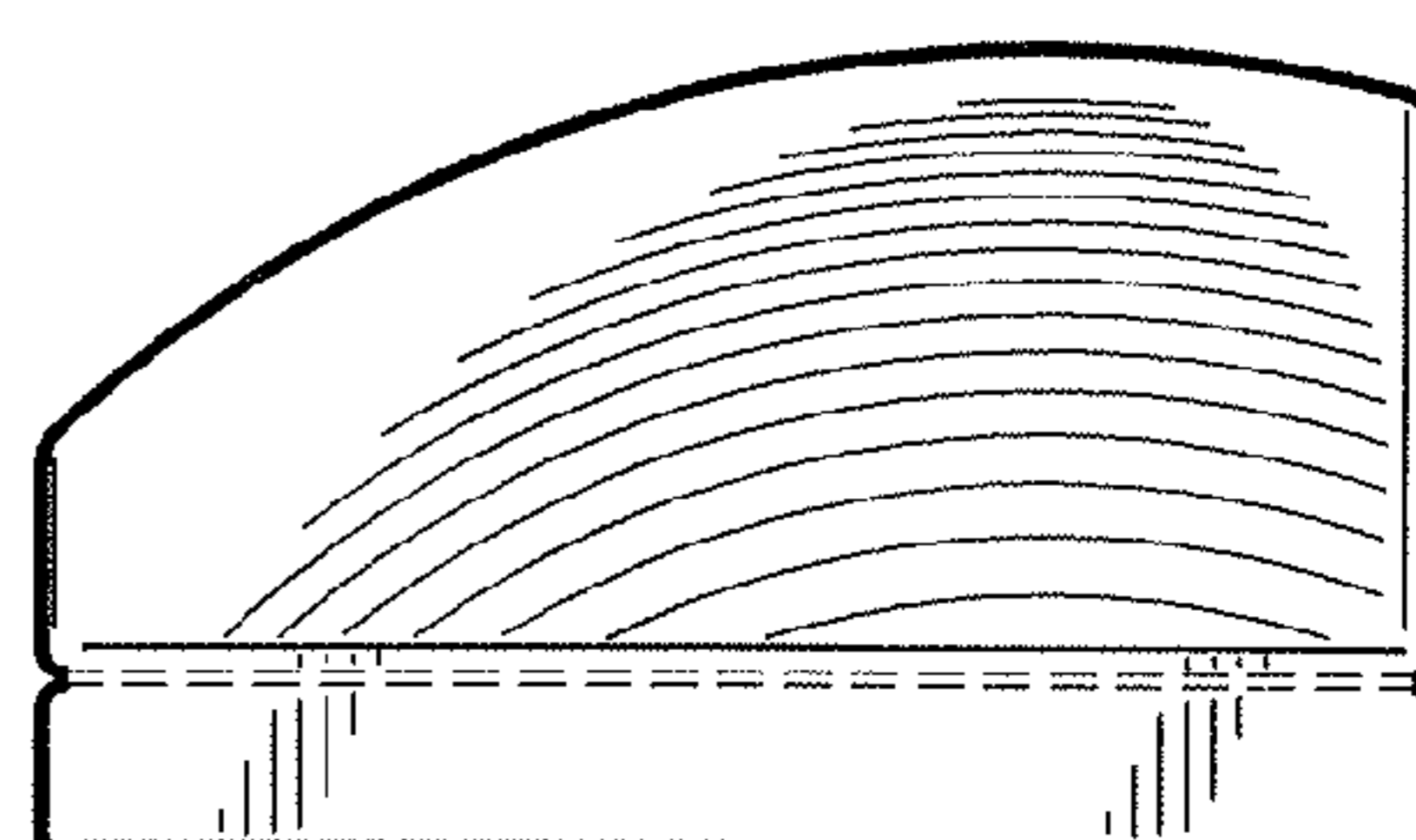


Fig. 5

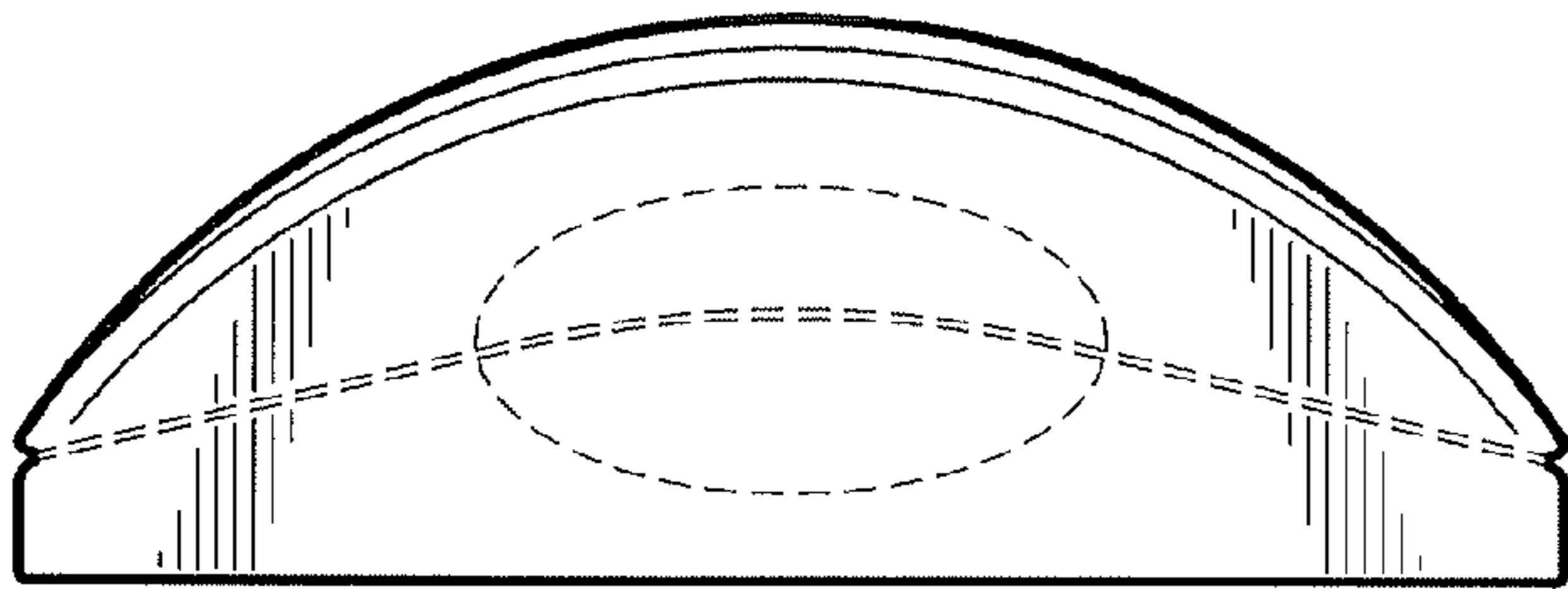


Fig. 6

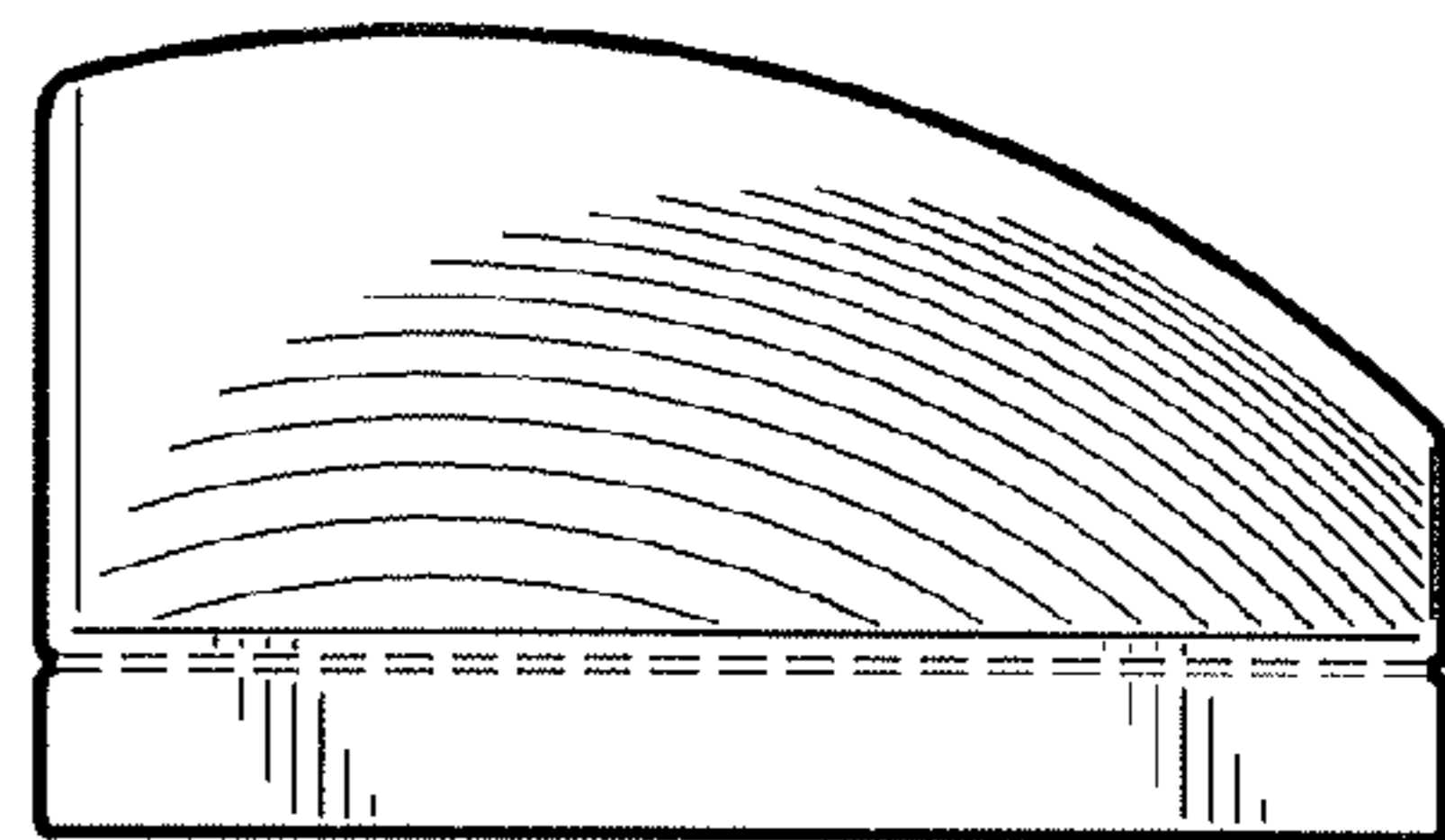


Fig. 7

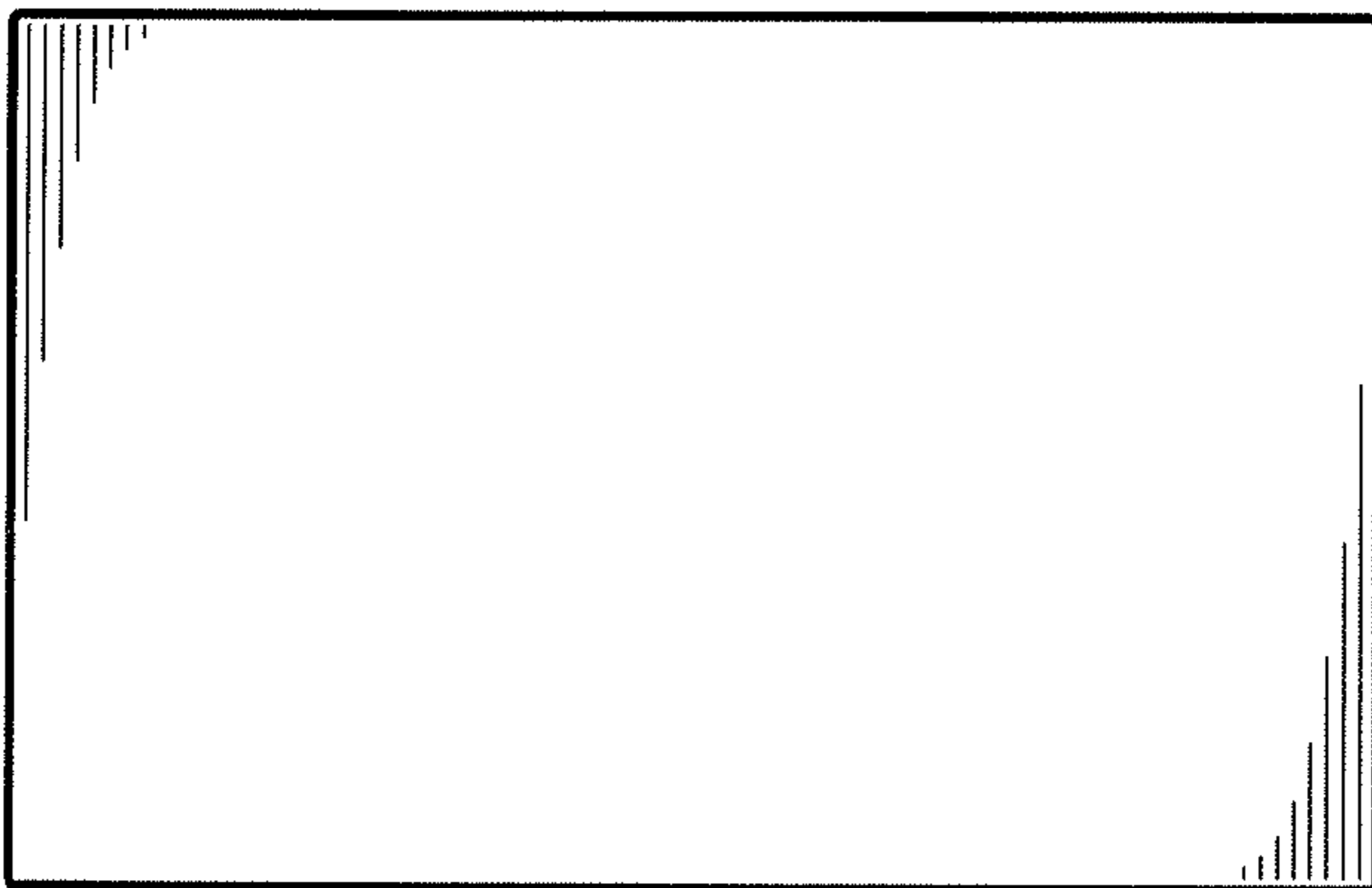


Fig. 8