



US00D661565S

(12) **United States Design Patent**
Blanchard

(10) **Patent No.:** **US D661,565 S**
(45) **Date of Patent:** **** Jun. 12, 2012**

(54) **TOOL HEAD HOLDER**

(56) **References Cited**

(75) Inventor: **Bradley V. Blanchard**, Lake Orion, MI (US)

U.S. PATENT DOCUMENTS

5,971,653 A * 10/1999 Harpell 403/97
6,332,635 B1 * 12/2001 Harpell 294/53.5

* cited by examiner

(73) Assignee: **The Blanchard Patent Holding Company, LLC**, Detroit, MI (US)

Primary Examiner — Antoine D Davis

(74) *Attorney, Agent, or Firm* — Honigman Miller Schwartz and Cohn LLP

(**) Term: **14 Years**

(57) **CLAIM**

The ornamental design for tool head holder, as shown and described.

(21) Appl. No.: **29/376,463**

DESCRIPTION

(22) Filed: **Oct. 7, 2010**

(51) **LOC (9) Cl.** **08-02**

(52) **U.S. Cl.** **D8/80**

(58) **Field of Classification Search** D8/71,
D8/80, 81, 94, 107, 321; 206/379; 294/49,
294/51, 52, 53.5, 57, 59; 7/114-116; 15/144.1;
16/438; 56/400.04, 400.06; 172/372, 373,
172/375; 403/4, 83, 84, 87, 92-98, 102.104,
403/161, 163

FIG. 1 is a front/right side isometric view of the tool head holder of the present invention;

FIG. 2 is a rear/right side isometric view of the invention of FIG. 1;

FIG. 3 is a front view of the invention of FIG. 1;

FIG. 4 is a rear view of the invention of FIG. 1;

FIG. 5 is a left side view of the invention of FIG. 1;

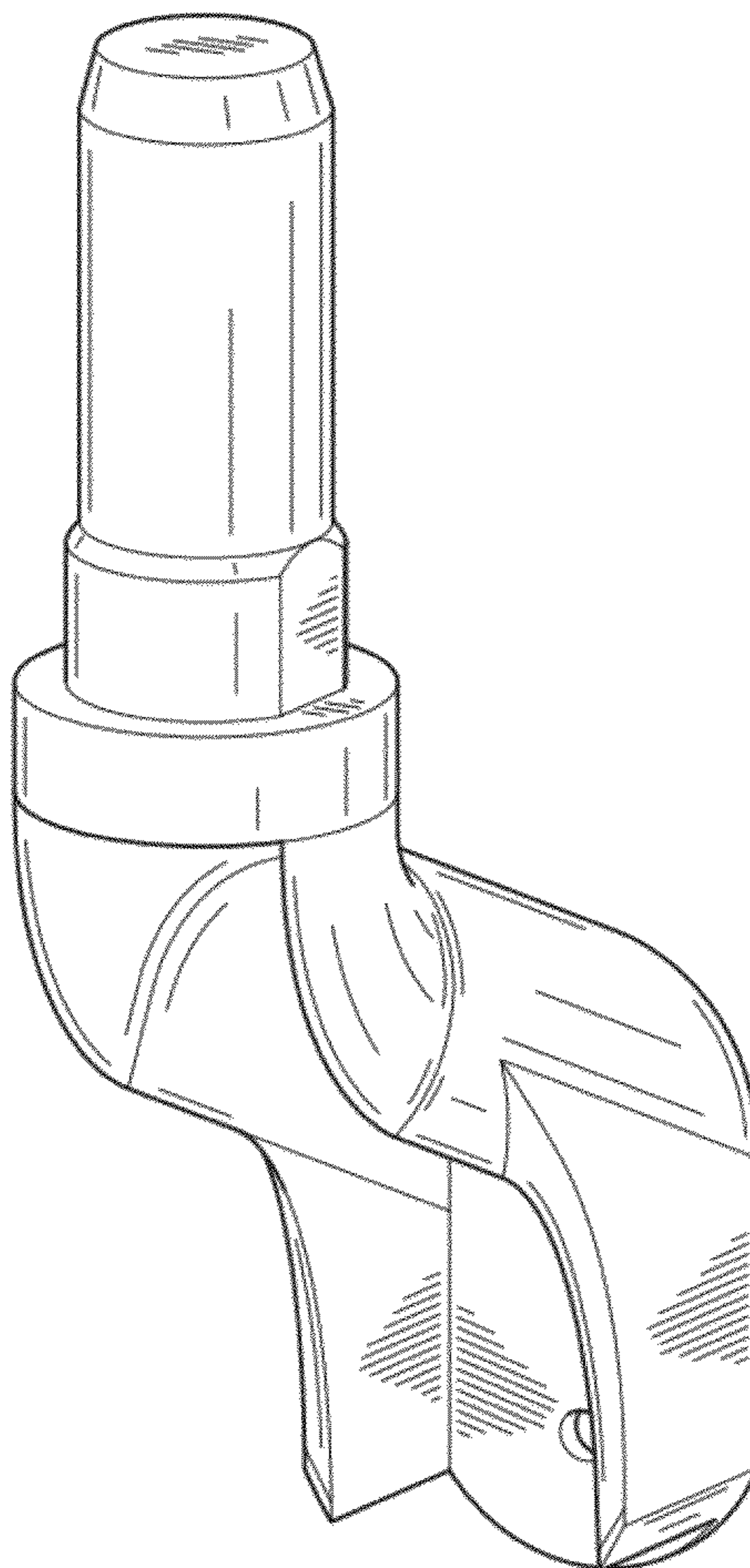
FIG. 6 is a right side view of the invention of FIG. 1;

FIG. 7 is a top plan view of the invention of FIG. 1; and,

FIG. 8 is a bottom view of the invention of FIG. 1.

See application file for complete search history.

1 Claim, 7 Drawing Sheets



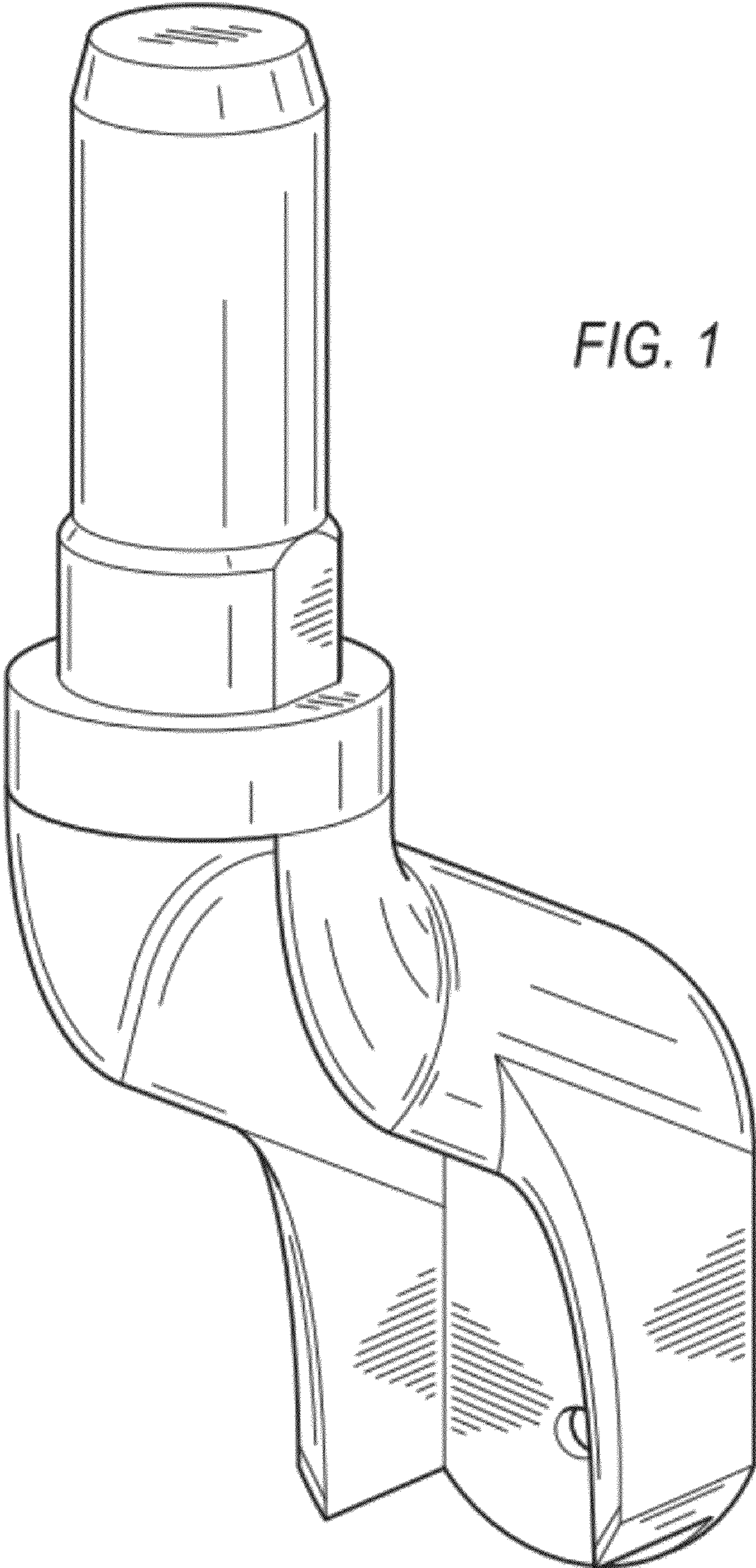
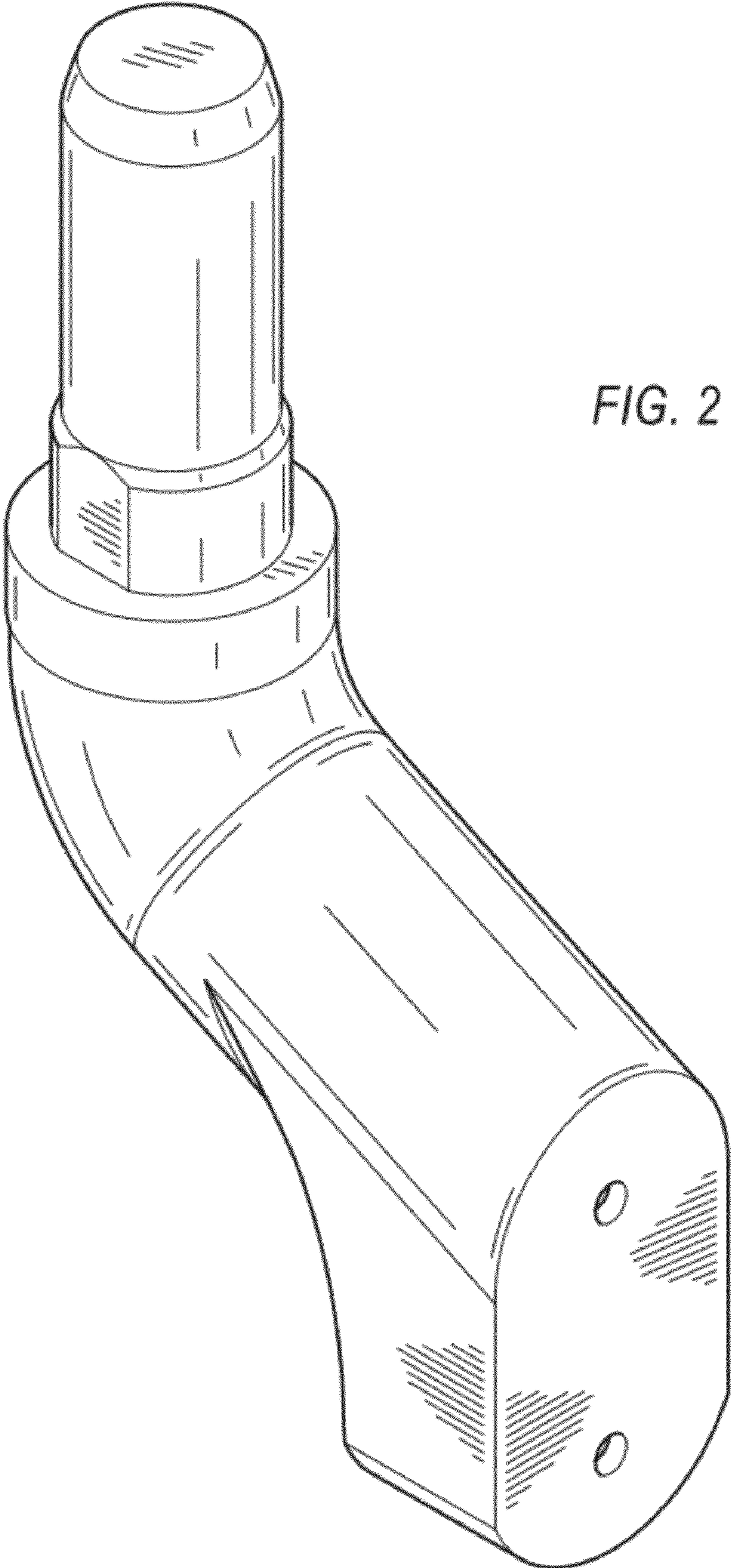


FIG. 1



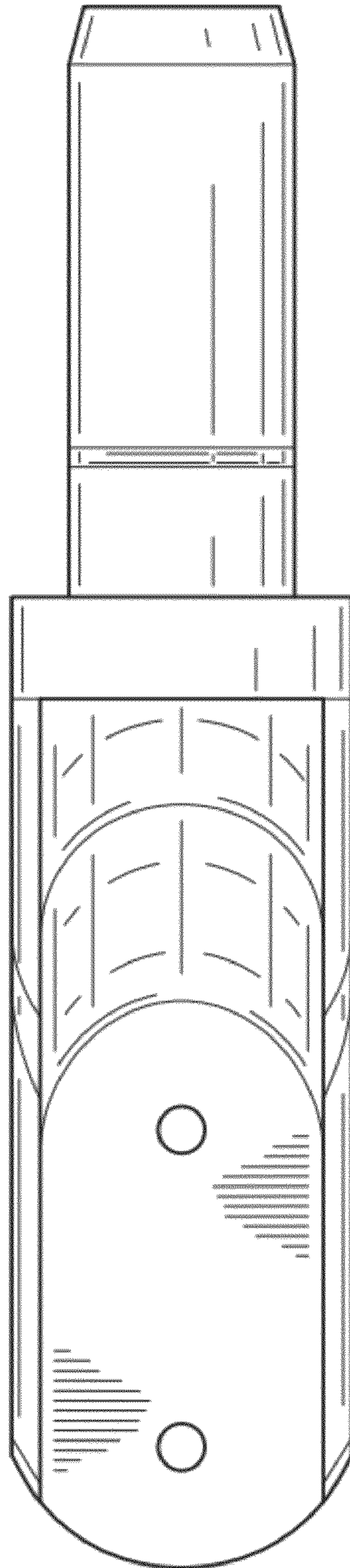


FIG. 3

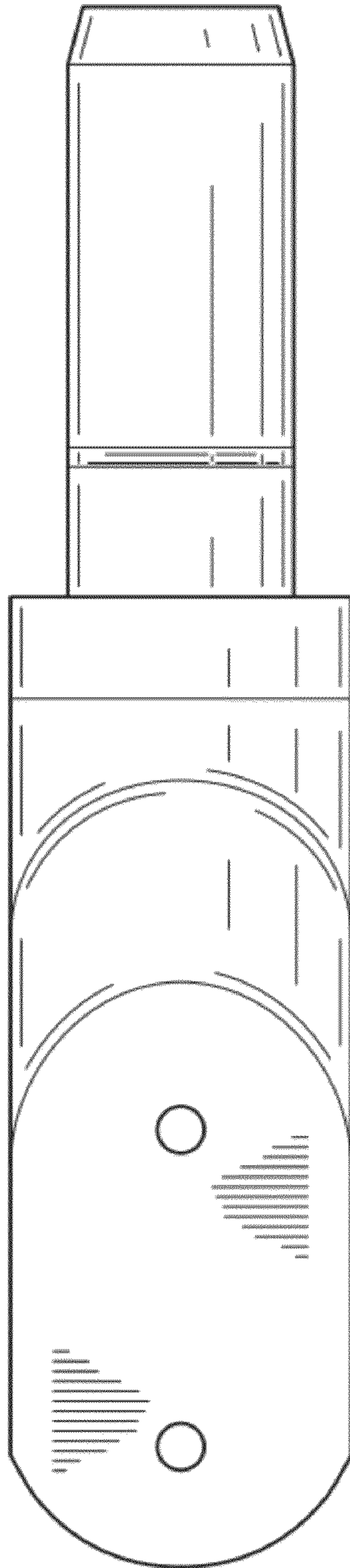


FIG. 4

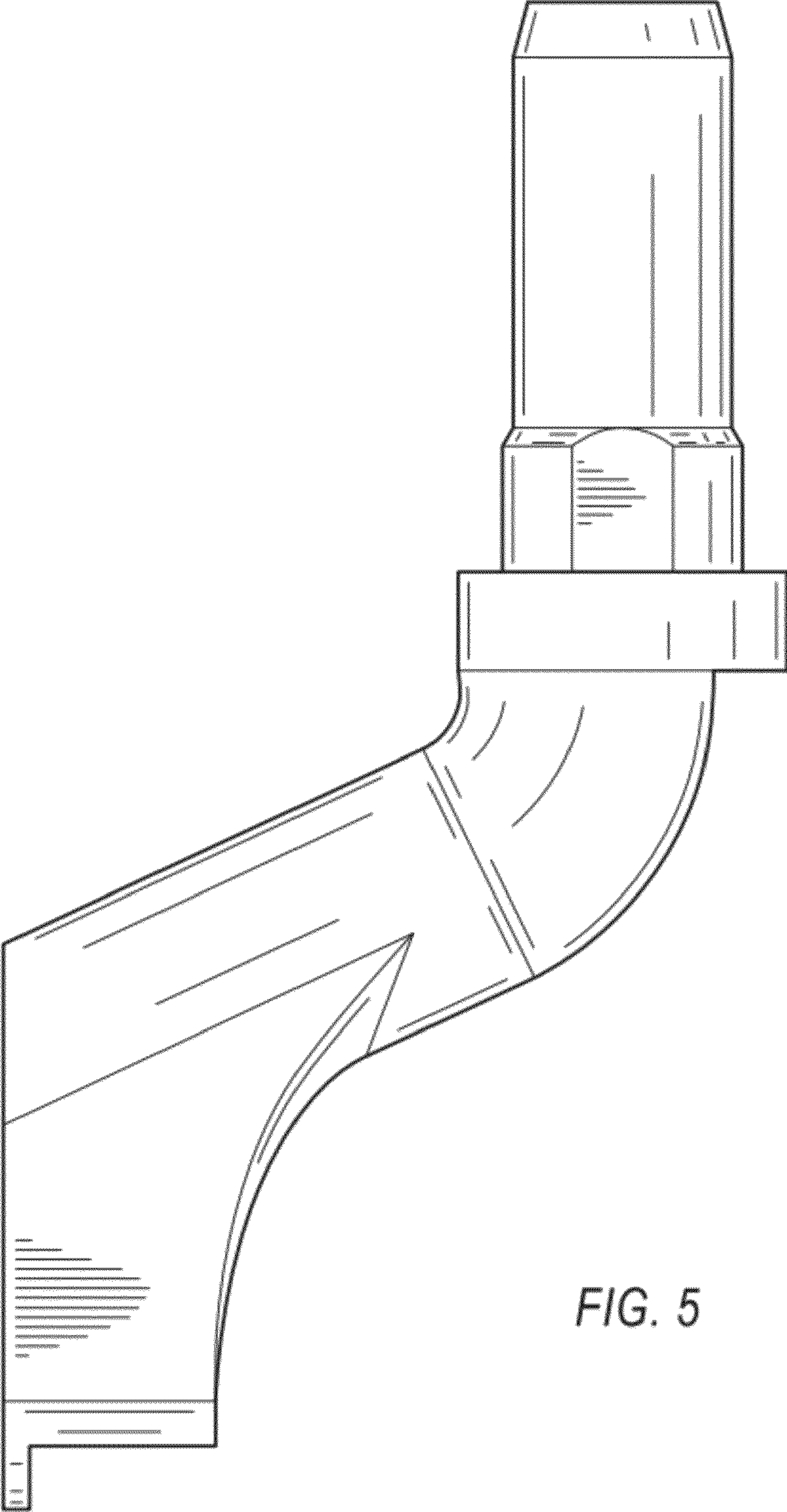


FIG. 5

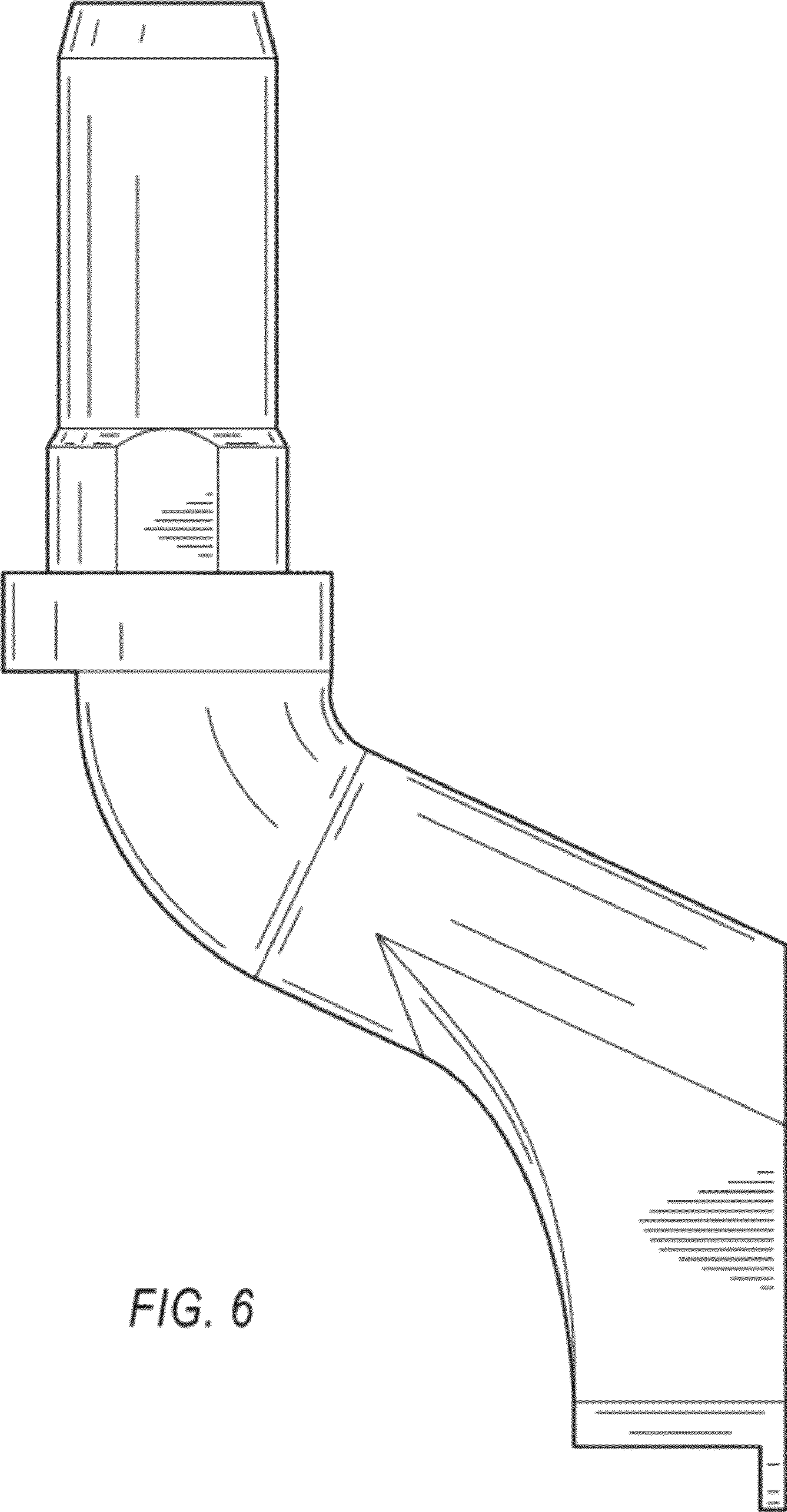


FIG. 6

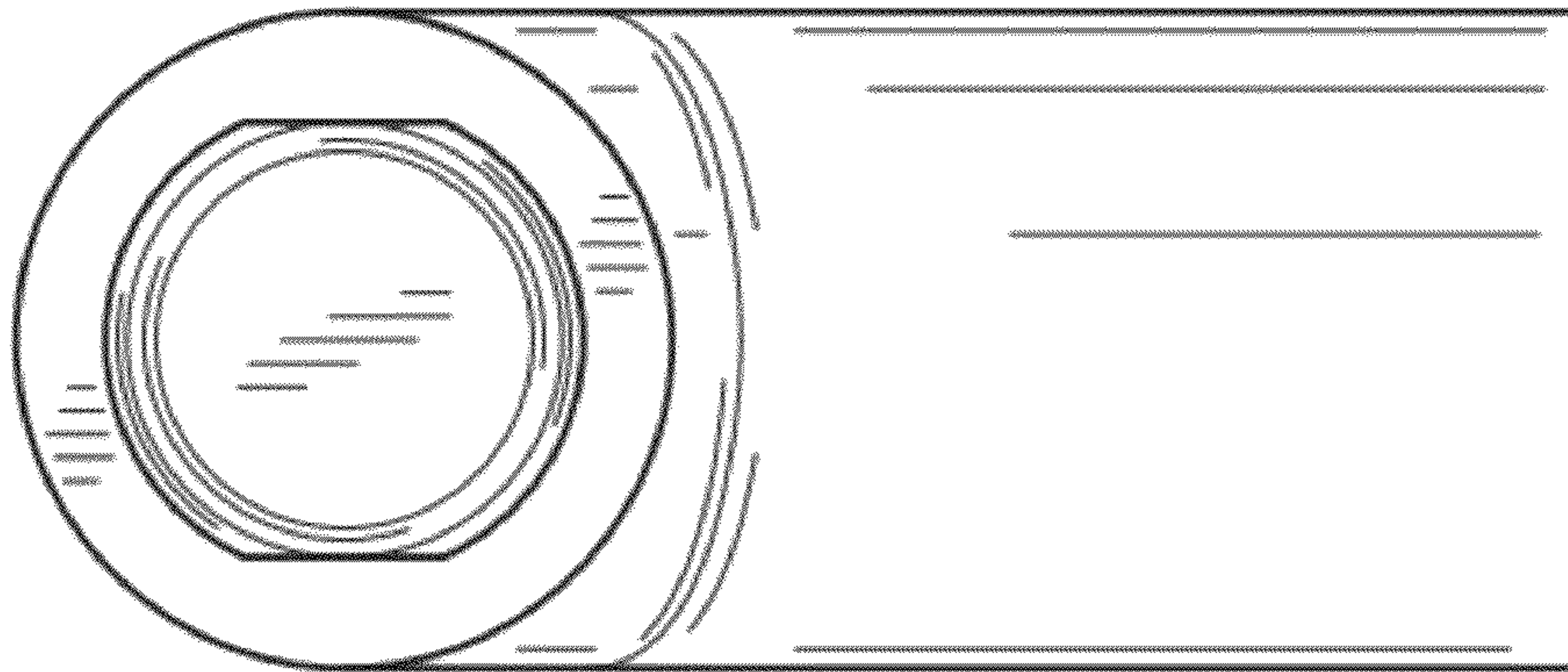


FIG. 7

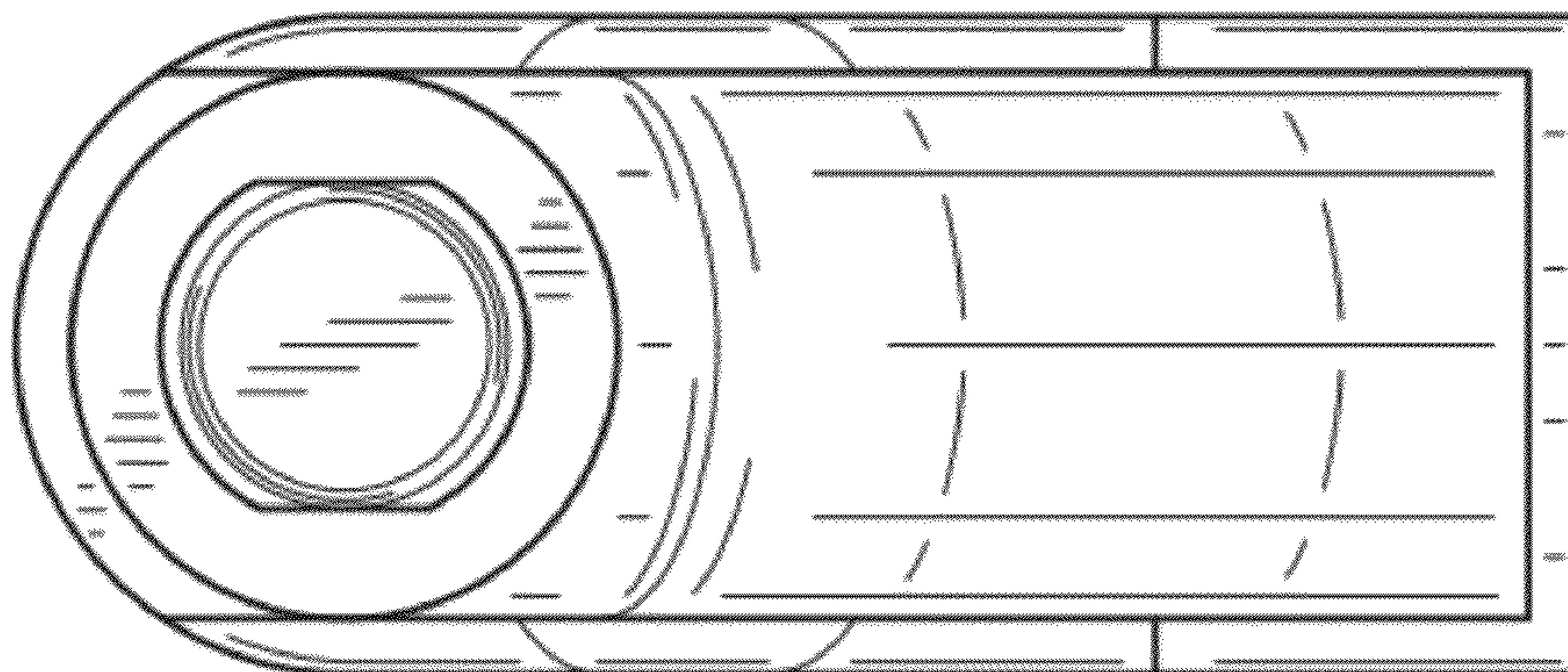


FIG. 8