

US00D661563S

(12) **United States Design Patent**  
**Wilke**

(10) **Patent No.:** **US D661,563 S**

(45) **Date of Patent:** **\*\* Jun. 12, 2012**

(54) **POLISHING MACHINE**

(75) Inventor: **Dirk Wilke**, Grabenstetten (DE)

(73) Assignee: **Metabowerke GmbH**, Nürtingen (DE)

(\*\*) Term: **14 Years**

(21) Appl. No.: **29/407,787**

(22) Filed: **Dec. 2, 2011**

(30) **Foreign Application Priority Data**

Jun. 7, 2011 (EM) ..... 001873852-0001

(51) **LOC (9) Cl.** ..... **08-01**

(52) **U.S. Cl.** ..... **D8/61**

(58) **Field of Classification Search** ..... D8/61,

D8/62, 67, 69; 81/57, 57.11, 57.14, 57.26,

81/429, 464, 469; 173/2, 170, 176, 181

See application file for complete search history.

(56) **References Cited**

**U.S. PATENT DOCUMENTS**

2,452,268	A	6/1945	Schumann	
D312,714	S *	12/1990	Simonelli et al.	D32/19
5,099,160	A	3/1992	Strozel et al.	
6,163,094	A	12/2000	Jansson	
D449,502	S *	10/2001	Fraser et al.	D8/62
D471,681	S *	3/2003	Krieger et al.	D32/15
6,602,122	B1	8/2003	Rudolf et al.	
D498,653	S *	11/2004	Wu	D8/62
D500,945	S *	1/2005	Wright	D8/62
6,962,523	B2 *	11/2005	Fraser et al.	451/259
7,311,588	B1 *	12/2007	Lin	451/359
D564,321	S *	3/2008	Huguet et al.	D8/62
D569,056	S *	5/2008	Zhu	D32/15
D581,759	S *	12/2008	Aglassinger	D8/62

7,544,116	B1 *	6/2009	Lin	451/294
D606,828	S *	12/2009	Misaki	D8/62
7,786,627	B2	8/2010	Riedl	
D646,854	S *	10/2011	Wright	D32/19
2004/0224621	A1 *	11/2004	Fraser et al.	451/359
2008/0085667	A1 *	4/2008	Lin	451/358
2009/0142998	A1 *	6/2009	Lin	451/359

**FOREIGN PATENT DOCUMENTS**

DE	69912548	T2	9/2004
DE	103 47943	A1	5/2005
DE	10 2007000290	A1	5/2007
DE	10 2006038756	A1	2/2008
DE	10 2008000613	A1	9/2009
DE	20 2011001475	U1	3/2011
EP	1016504	A2	7/2000
WO	2005039822	A1	5/2005
WO	2009112099	A1	9/2009

\* cited by examiner

*Primary Examiner* — Austin Murphy

(74) *Attorney, Agent, or Firm* — GrayRobinson, P.A.

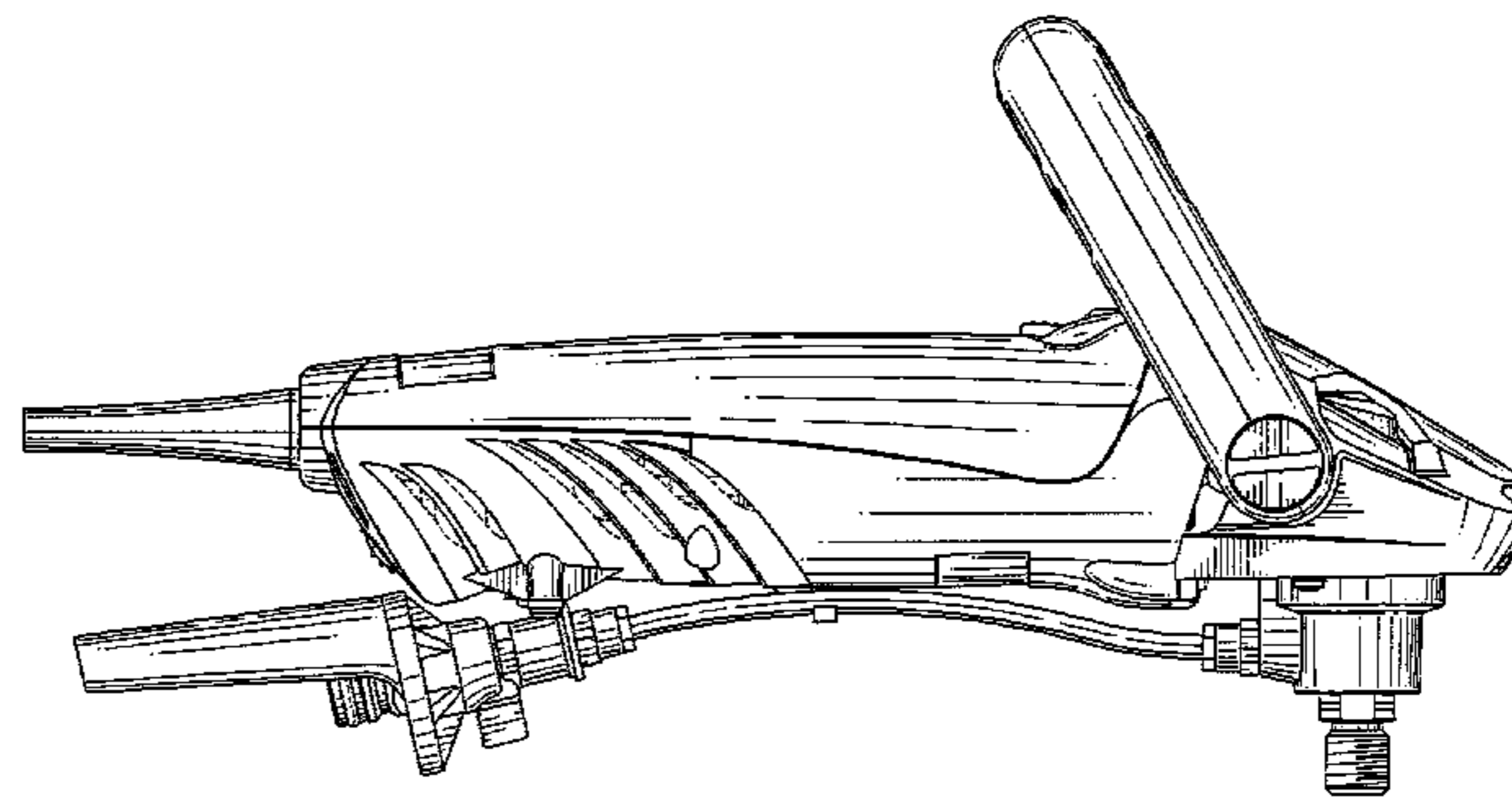
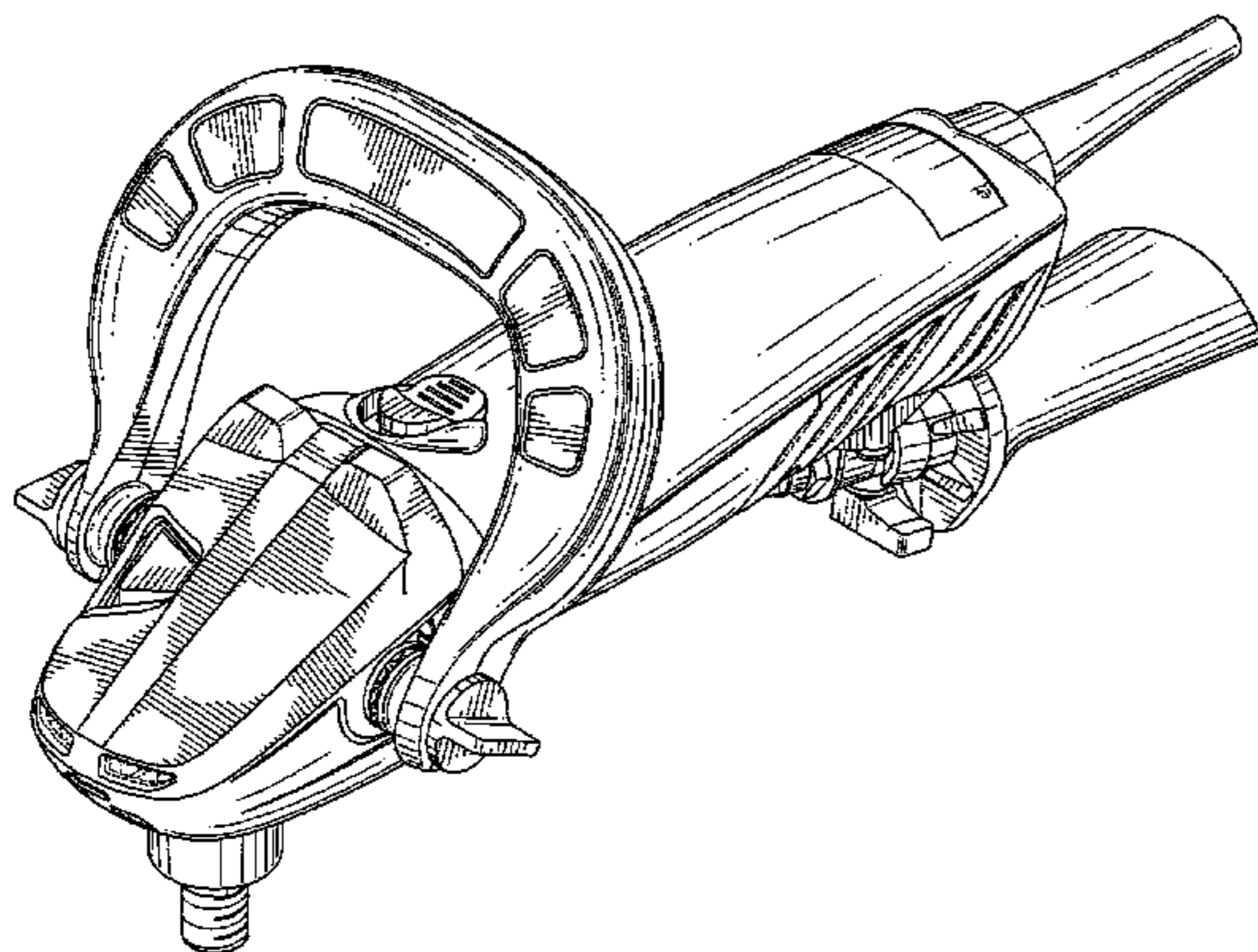
(57) **CLAIM**

The ornamental design for a polishing machine, as shown and described.

**DESCRIPTION**

FIG. 1 is a perspective view;  
FIG. 2 is a front elevational view;  
FIG. 3 is a rear elevational view;  
FIG. 4 is a right side elevational view;  
FIG. 5 is a left side elevational view;  
FIG. 6 is a top plan view; and,  
FIG. 7 is a bottom plan view.

**1 Claim, 6 Drawing Sheets**



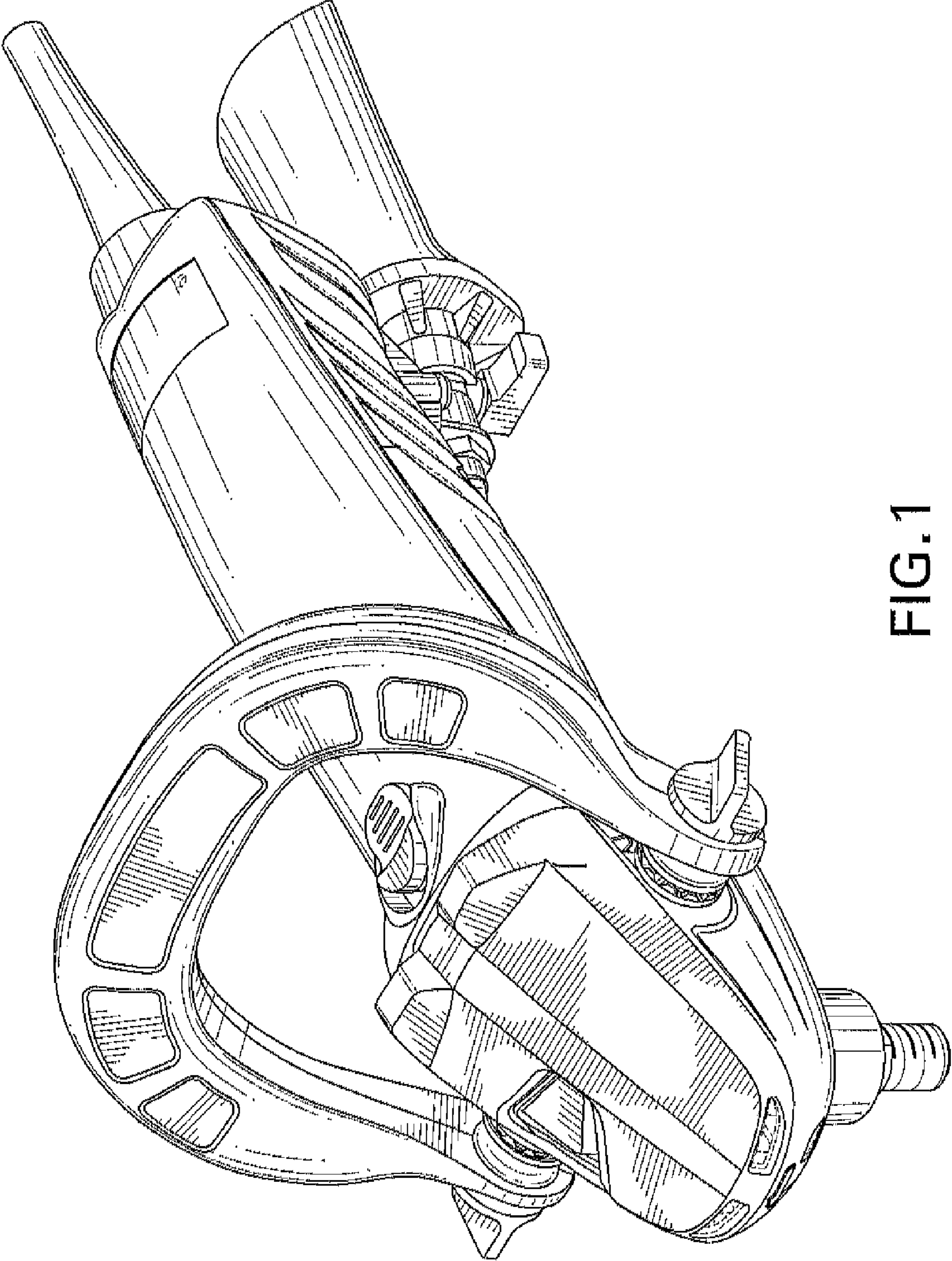


FIG. 1

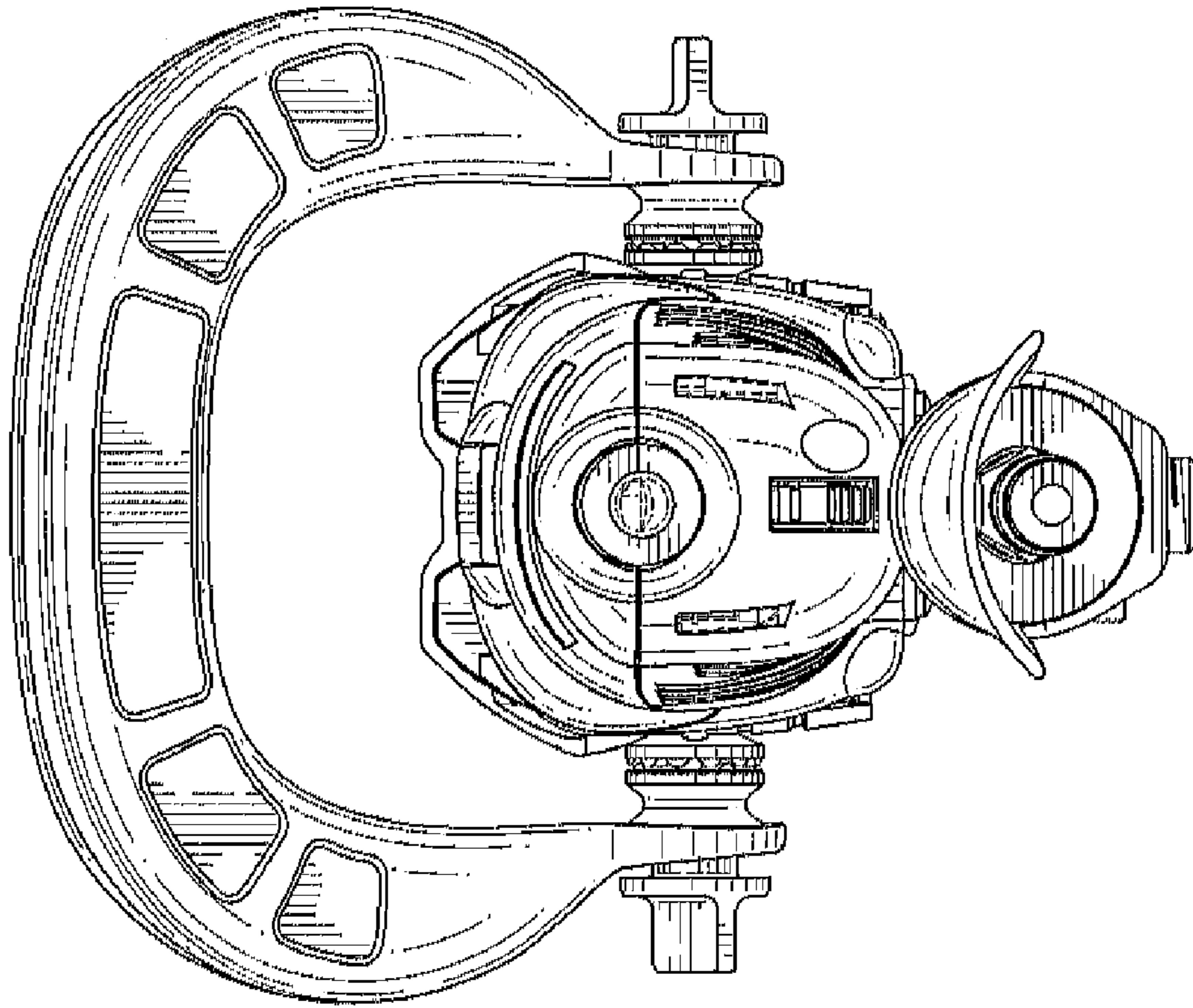


FIG. 3

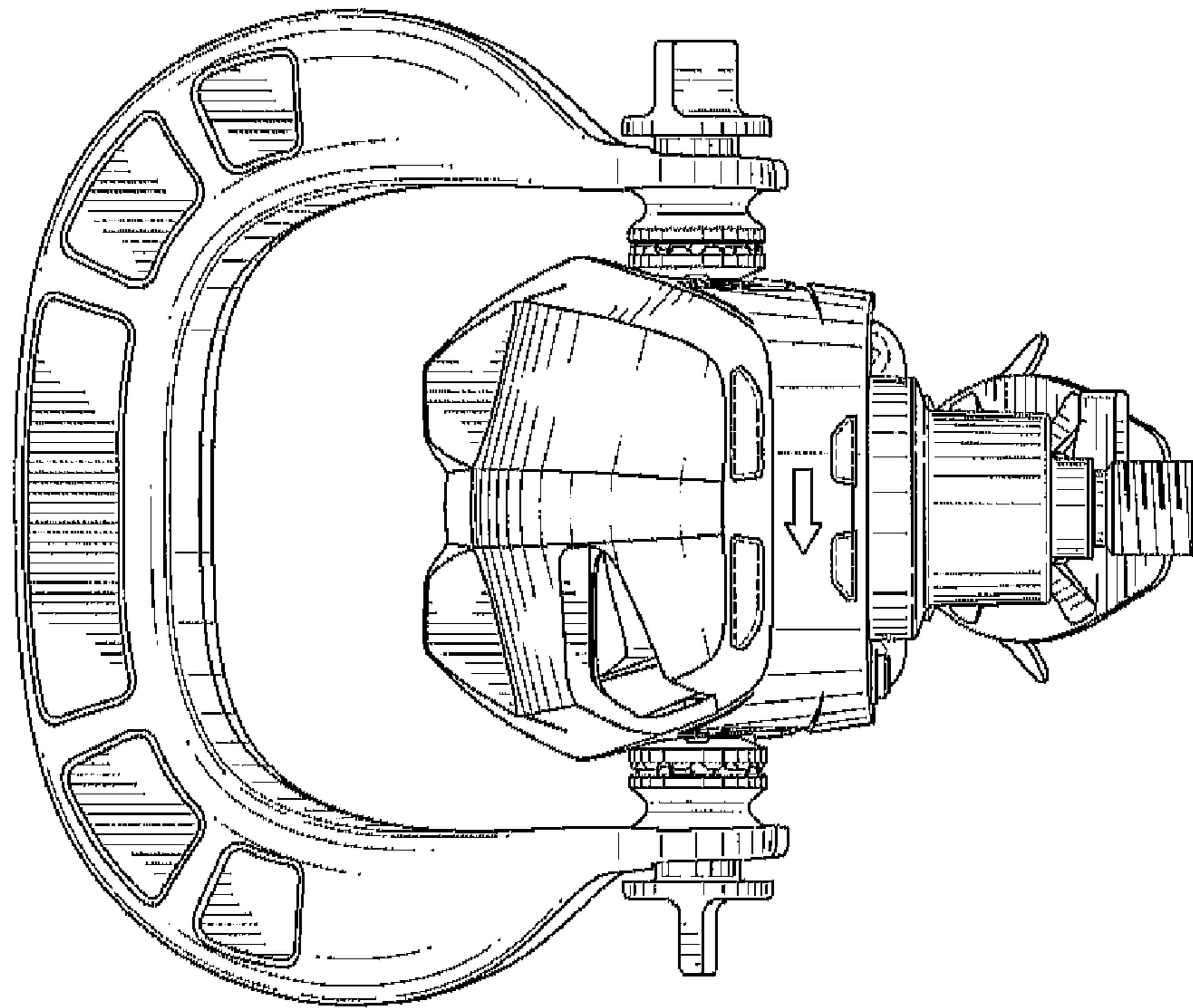


FIG. 2

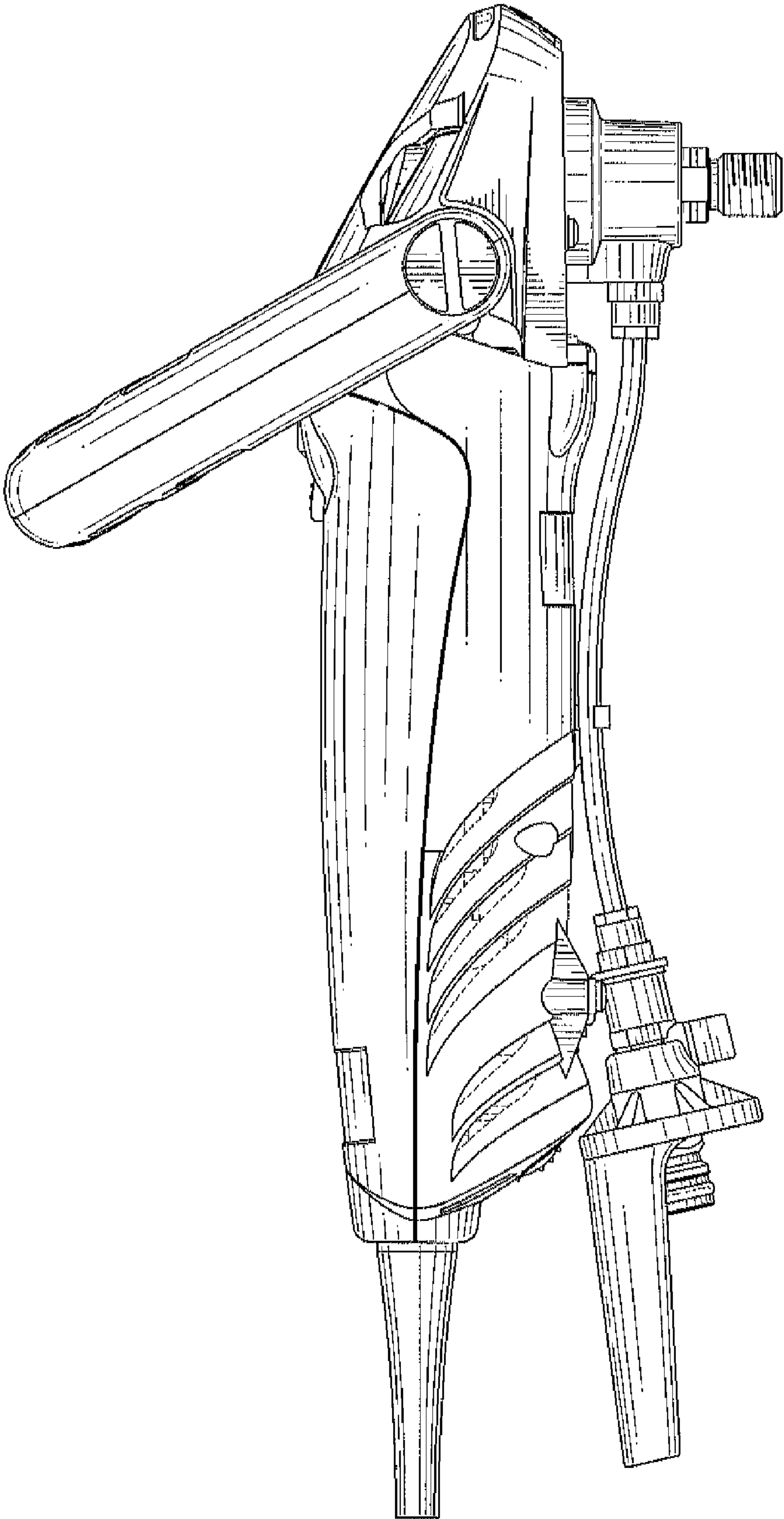


FIG.4

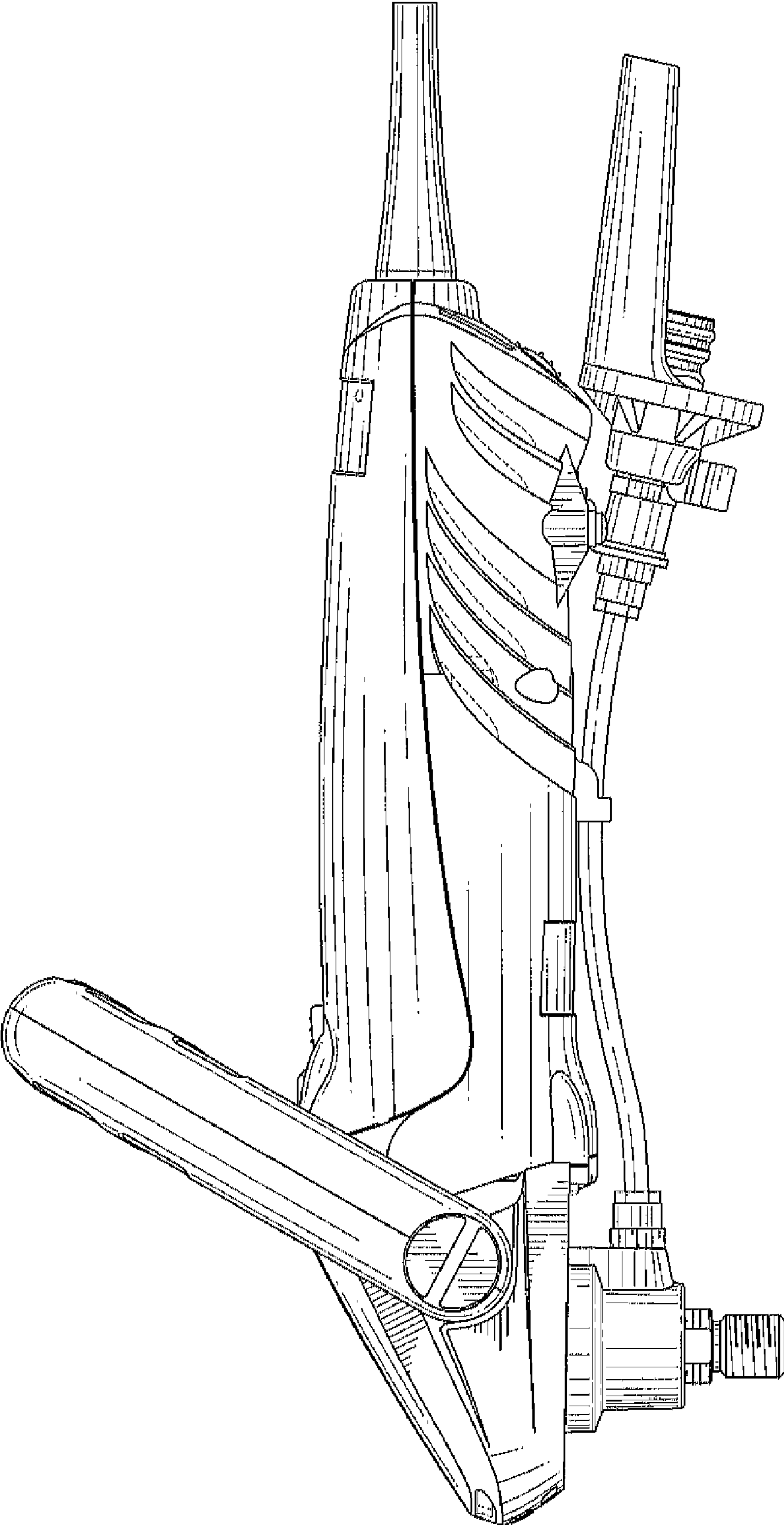


FIG. 5

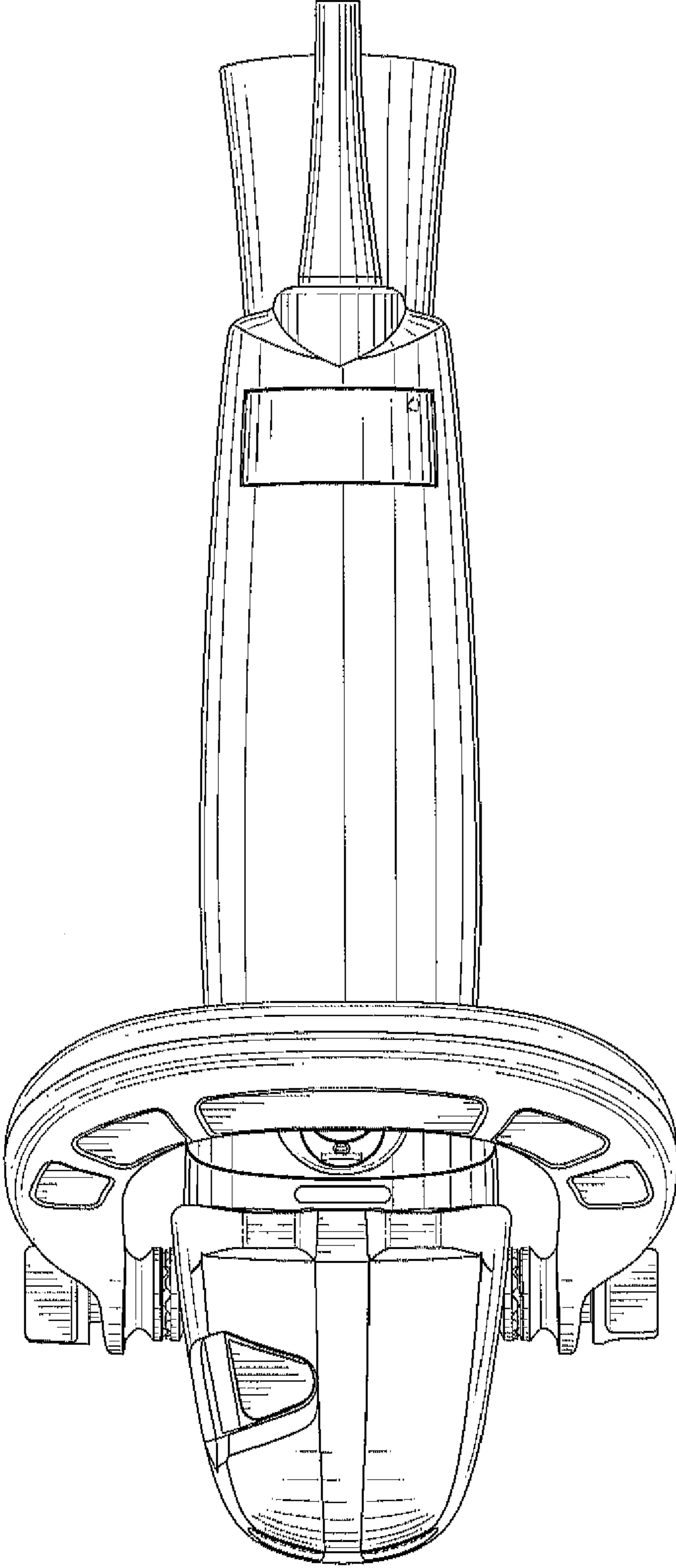


FIG. 6

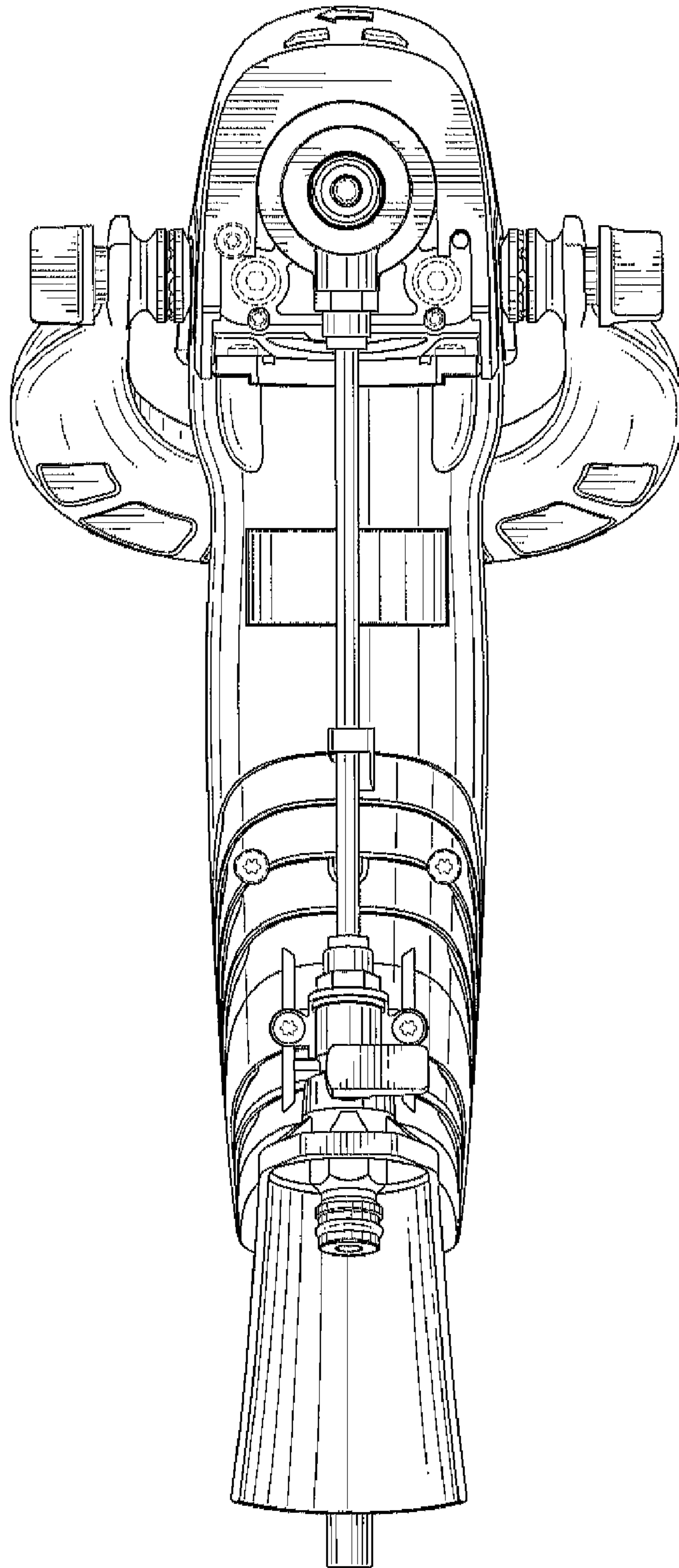


FIG. 7