



US00D661562S

(12) **United States Design Patent**
Stevens et al.

(10) **Patent No.:** **US D661,562 S**
(45) **Date of Patent:** **** Jun. 12, 2012**

(54) **RATCHET**
(75) Inventors: **Scott Stevens**, Oak Creek, WI (US);
Scott Kalous, Kenosha, WI (US)

4,685,315 A 8/1987 Comolli
4,987,653 A 1/1991 Lin
D322,557 S 12/1991 Cummings
(Continued)

(73) Assignee: **Master Lock Company LLC**, Oak
Creek, WI (US)

FOREIGN PATENT DOCUMENTS
DE 2717157 9/1978
(Continued)

(**) Term: **14 Years**

(21) Appl. No.: **29/407,424**

(22) Filed: **Nov. 29, 2011**

OTHER PUBLICATIONS

Product Brochure, "16Ft Lock-Down 4,8 m Amarre de
Trinquete", Keeper Corporation, 7 pages.
(Continued)

Related U.S. Application Data

(62) Division of application No. 29/364,116, filed on Jun.
18, 2010.

(51) **LOC (9) Cl.** **08-05**

(52) **U.S. Cl.** **D8/44**

(58) **Field of Classification Search** D8/44;
24/68 CD, 69 ST, 70 ST; 254/217-220, 223,
254/225, 239; 410/100, 103

See application file for complete search history.

Primary Examiner — Philip S Hyder

Assistant Examiner — Roselynn Cody

(74) *Attorney, Agent, or Firm* — Calfee, Halter & Griswold
LLP

(57) **CLAIM**

We claim the ornamental design for a ratchet, as shown and
described.

DESCRIPTION

(56) **References Cited**

U.S. PATENT DOCUMENTS

693,079 A 2/1902 Stoneman
700,158 A 5/1902 Stoneman
2,681,580 A * 6/1954 Dupkas 81/9.3
3,592,028 A 7/1971 LaMonica
3,699,843 A 10/1972 Sweeny
3,742,558 A * 7/1973 Lewis, Jr. 254/253
D230,464 S 2/1974 Gale
3,875,771 A 4/1975 Reisner
4,185,360 A 1/1980 Prete, Jr. et al.
D266,828 S 11/1982 Prete, Jr.
4,542,883 A 9/1985 Rutzki
4,622,721 A 11/1986 Smetz et al.

FIG. 1 is a front perspective view of a ratchet showing the new
design;

FIG. 2 is a top view of the ratchet of FIG. 1;

FIG. 3 is a bottom view of the ratchet of FIG. 1;

FIG. 4 is a front view of the ratchet of FIG. 1;

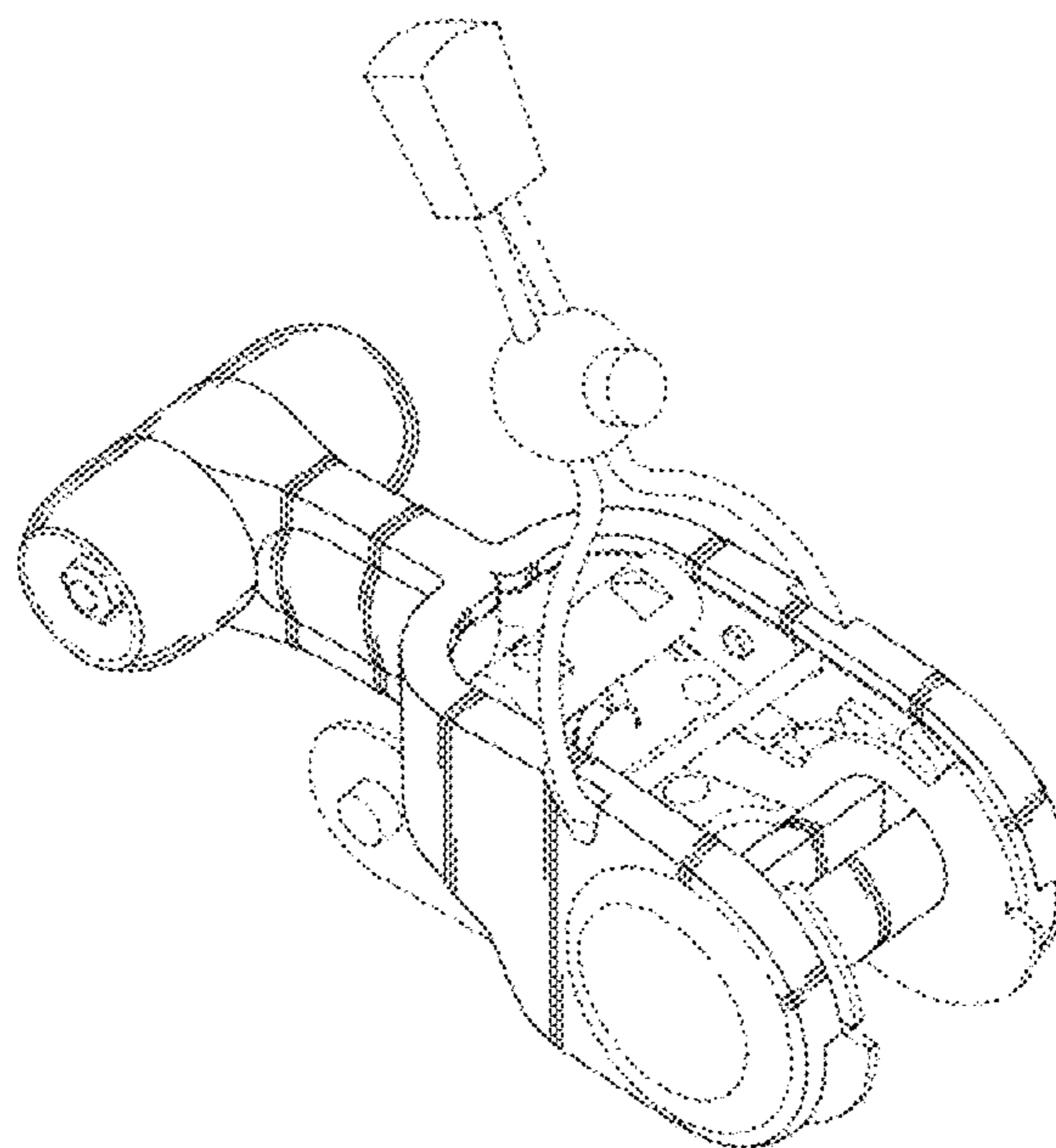
FIG. 5 is a rear view of the ratchet of FIG. 1;

FIG. 6 is a left side view of the ratchet of FIGS. 1; and,

FIG. 7 is a right side view of the ratchet of FIG. 1.

The portions of the Figures shown in phantom lines are for
illustrative purpose only and form no part of the claimed
design.

1 Claim, 7 Drawing Sheets



US D661,562 S

U.S. PATENT DOCUMENTS

5,103,536	A	4/1992	Kamper	
D328,840	S	8/1992	Jensen	
5,205,020	A	4/1993	Kamper	
5,271,606	A	12/1993	Kamper	
5,549,429	A	8/1996	Sergent	
5,669,253	A	9/1997	Higgins	
5,692,403	A	12/1997	Ling	
5,778,496	A	7/1998	Huang	
5,819,377	A	10/1998	Huang	
5,943,742	A	8/1999	Huang	
6,007,053	A	12/1999	Huang	
6,044,669	A	4/2000	Levi	
6,095,450	A	8/2000	Jang	
6,125,682	A	10/2000	Rzasa et al.	
6,195,848	B1	3/2001	Jackson et al.	
6,199,412	B1	3/2001	Kennedy	
6,510,717	B1	1/2003	Levi	
6,524,041	B1	2/2003	Voiculescu	
6,547,218	B2	4/2003	Landy	
6,654,897	B1	11/2003	Dreps et al.	
6,684,667	B2	2/2004	Young	
6,705,811	B1	3/2004	Selby	
6,711,768	B2	3/2004	Mamie et al.	
6,880,810	B1	4/2005	Hu	
6,883,354	B1	4/2005	Yu	
D507,480	S	7/2005	Kopp et al.	
7,100,902	B1	9/2006	Lu	
7,121,122	B2	10/2006	Levi	
7,124,476	B2 *	10/2006	Garofalo et al.	24/71 SK
7,281,701	B1	10/2007	Huang	
7,293,760	B1	11/2007	Chang	
7,296,326	B2	11/2007	Madachy et al.	
7,350,768	B1	4/2008	Chang	
7,374,152	B2	5/2008	Ruan	
7,377,484	B1	5/2008	Williams	
D572,100	S *	7/2008	Aganian	D8/44
7,424,813	B2	9/2008	Wu	
7,448,596	B1	11/2008	Chang	
7,503,736	B1	3/2009	Chen	
7,651,072	B1	1/2010	Chang	
7,707,696	B2	5/2010	Ruan	
7,758,023	B2	7/2010	Chang	
7,775,536	B2 *	8/2010	Shumway	280/164.1
7,836,580	B2	11/2010	Scherrer et al.	
7,861,382	B1	1/2011	Madachy et al.	
7,909,306	B2	3/2011	Adcock	
7,950,629	B2	5/2011	Mamie	
8,037,580	B2	10/2011	Huang	
2001/0045548	A1	11/2001	Landy	
2003/0071251	A1	4/2003	Hu	
2004/0104380	A1	6/2004	Huang	
2005/0087730	A1	4/2005	Hu	
2006/0197071	A1	9/2006	Huang	
2007/0189873	A1	8/2007	Breeden	
2009/0119892	A1	5/2009	Breeden et al.	
2009/0279978	A1 *	11/2009	Polin et al.	410/100

2009/0283729	A1 *	11/2009	Carlson et al.	254/218
2010/0181410	A1	7/2010	Ting et al.	
2010/0322737	A1	12/2010	Huang	

FOREIGN PATENT DOCUMENTS

EP	0042257	12/1981
EP	0042258	12/1981
EP	0085965	8/1983
EP	0104155	3/1984
EP	0246210	11/1987
EP	0311828	4/1989
EP	0429610	6/1991
EP	04555085	11/1991
EP	0489376	6/1992
EP	0504557	9/1992
EP	0580392	7/1993
EP	0634305	1/1995
EP	0580392	B1 4/1996
EP	0736698	10/1996
EP	2740521	4/1997
EP	0848188	6/1998
EP	1151687	11/2001
EP	1266797	12/2002
EP	1464537	6/2004
EP	1524149	4/2005
EP	2008867	6/2007
EP	1876374	A1 1/2008
EP	1939037	2/2008
EP	1899195	3/2008
FR	2433345	3/1980
FR	2550694	2/1985
FR	2152003	7/1985
FR	2740521	4/1997
FR	2783737	3/2000
FR	2844229	3/2004
FR	0754925	11/2008
GB	2044873	10/1980
GB	2105805	3/1983
GB	2147071	A 5/1985
GB	2148436	5/1985
GB	2287514	9/1995
GB	2340871	1/2000
GB	2341888	3/2000
GB	2381827	5/2003
GB	2392705	3/2004
GB	2395517	5/2004
WO	2008039073	4/2008
WO	2008094146	8/2008
WO	2010031931	3/2010

OTHER PUBLICATIONS

<http://www.highlandusa.com/>.
 Printout from website, Product Details-Ratchet-Heavy Duty-Titan
 Cast Hand Ratchet Tie Down #1157400, printed 101612010; 2 pages.
 Printout from website, Product Details-Ratchet-Heavy Duty-Titan
 Cast Hand Ratchet Tie Down #1157500, printed 101612010; 2 pages.
<http://www.smartstraps.com/products/RatchetX.aspx>.

* cited by examiner

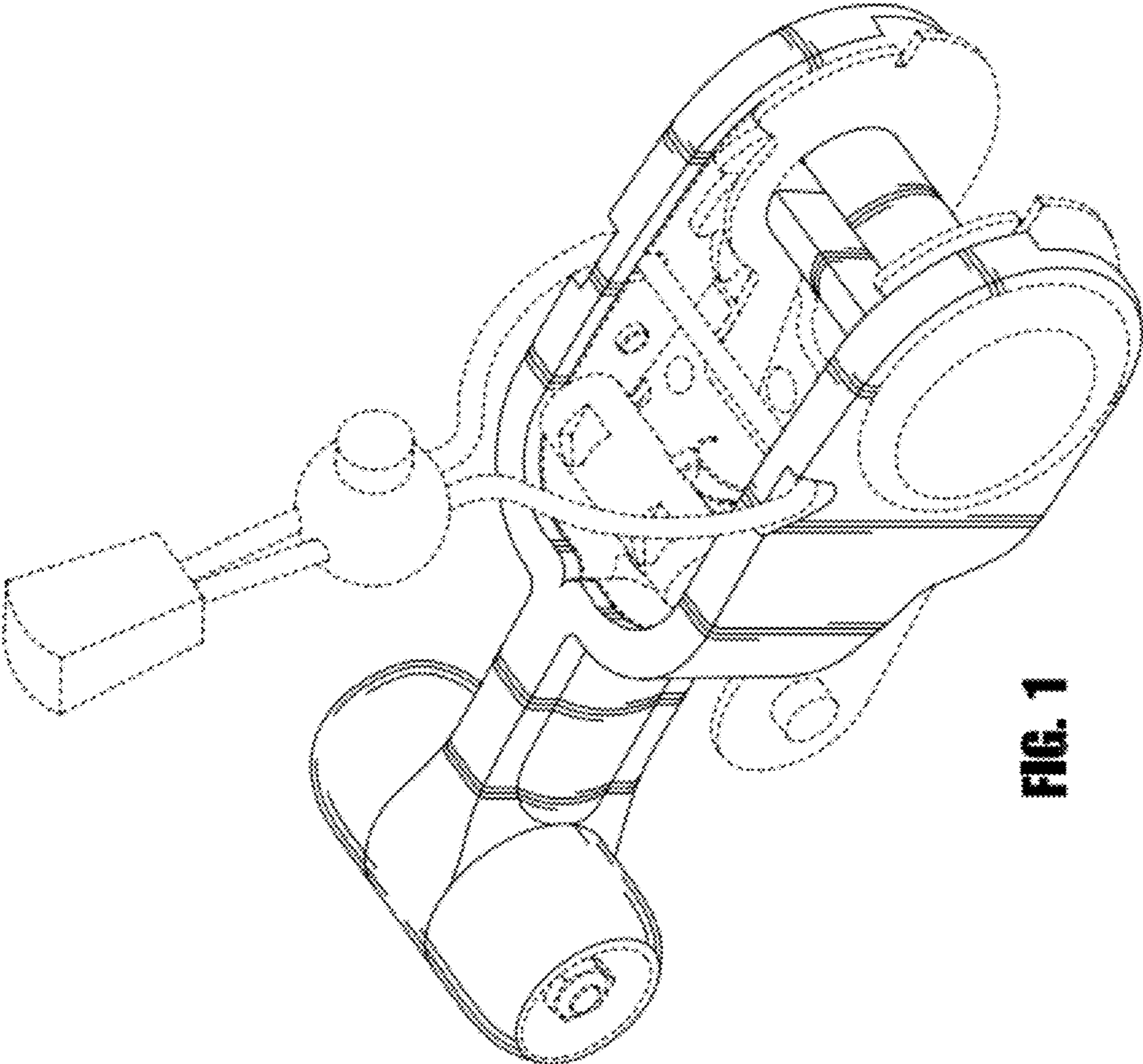


FIG. 1

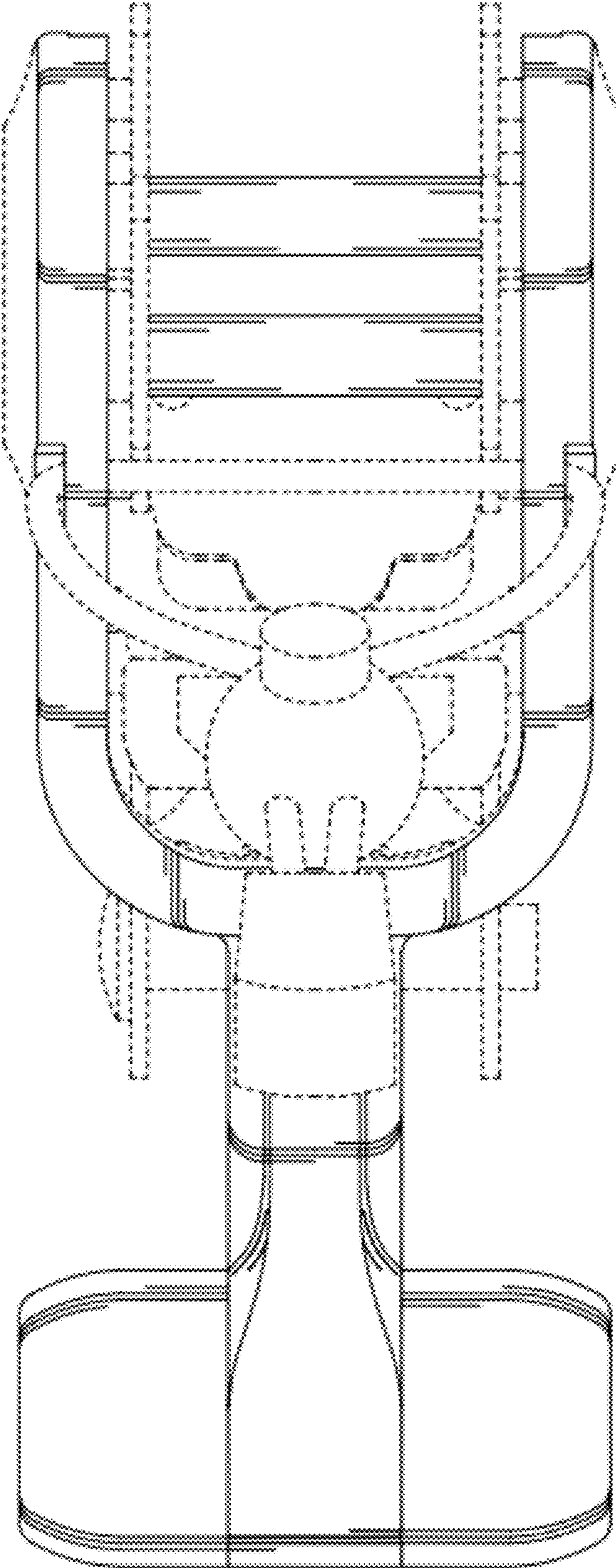


FIG. 2

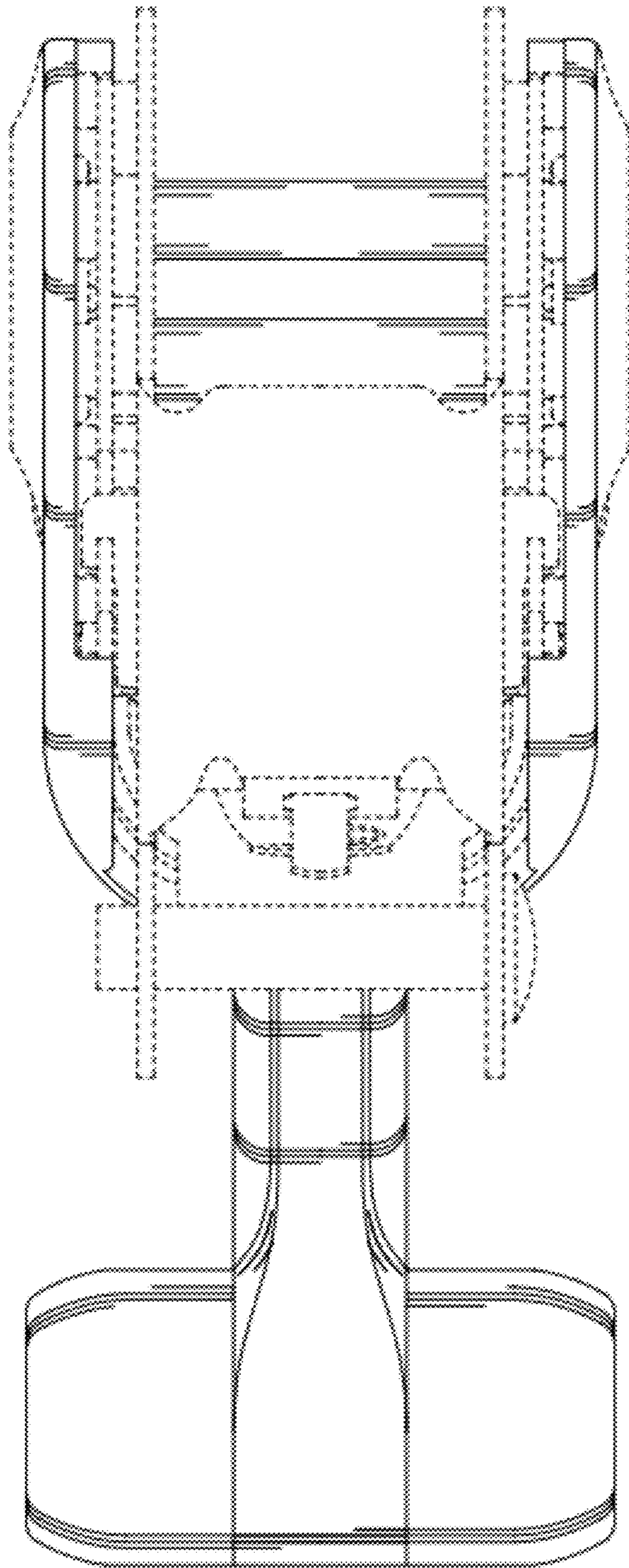


FIG. 3

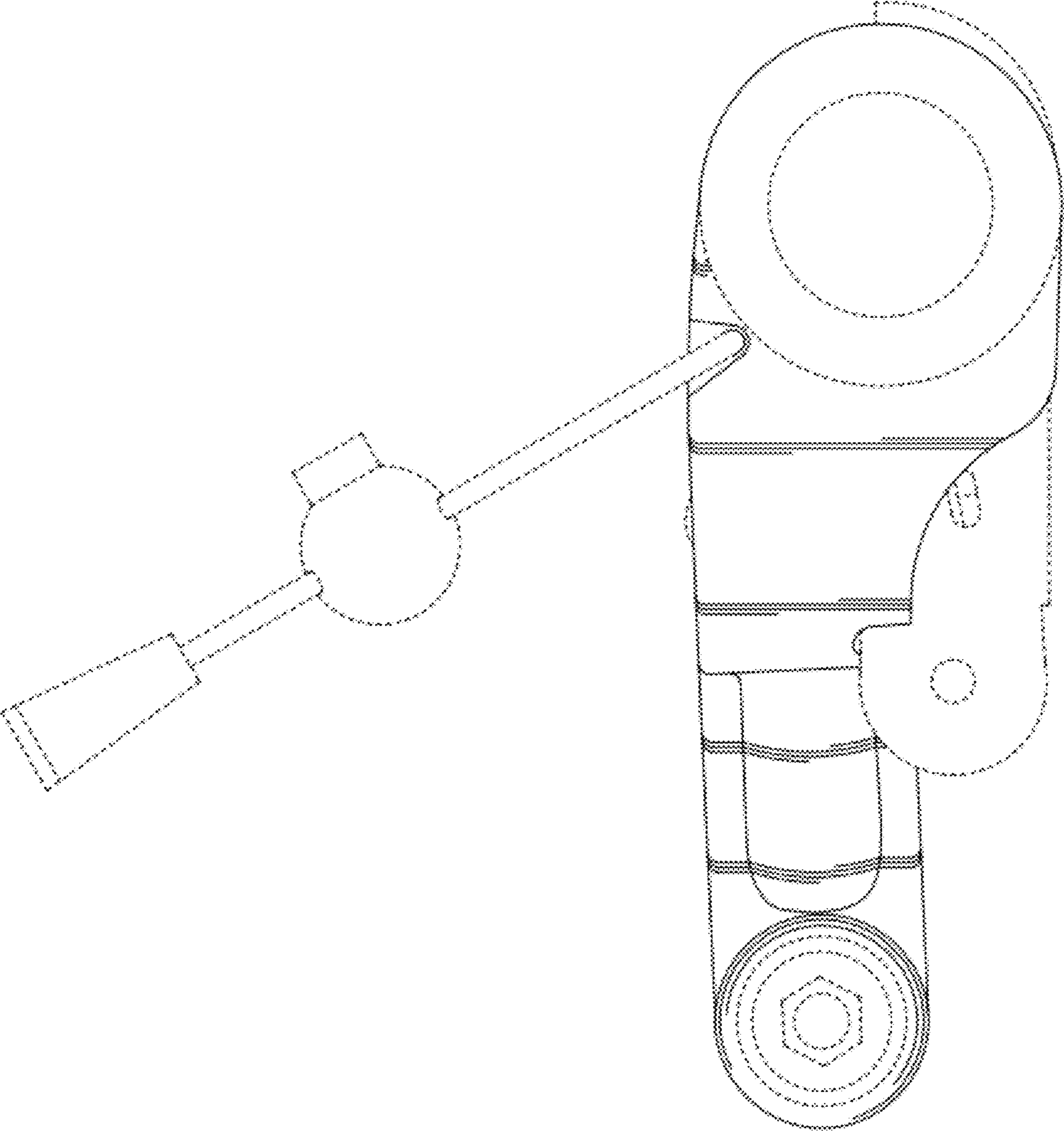
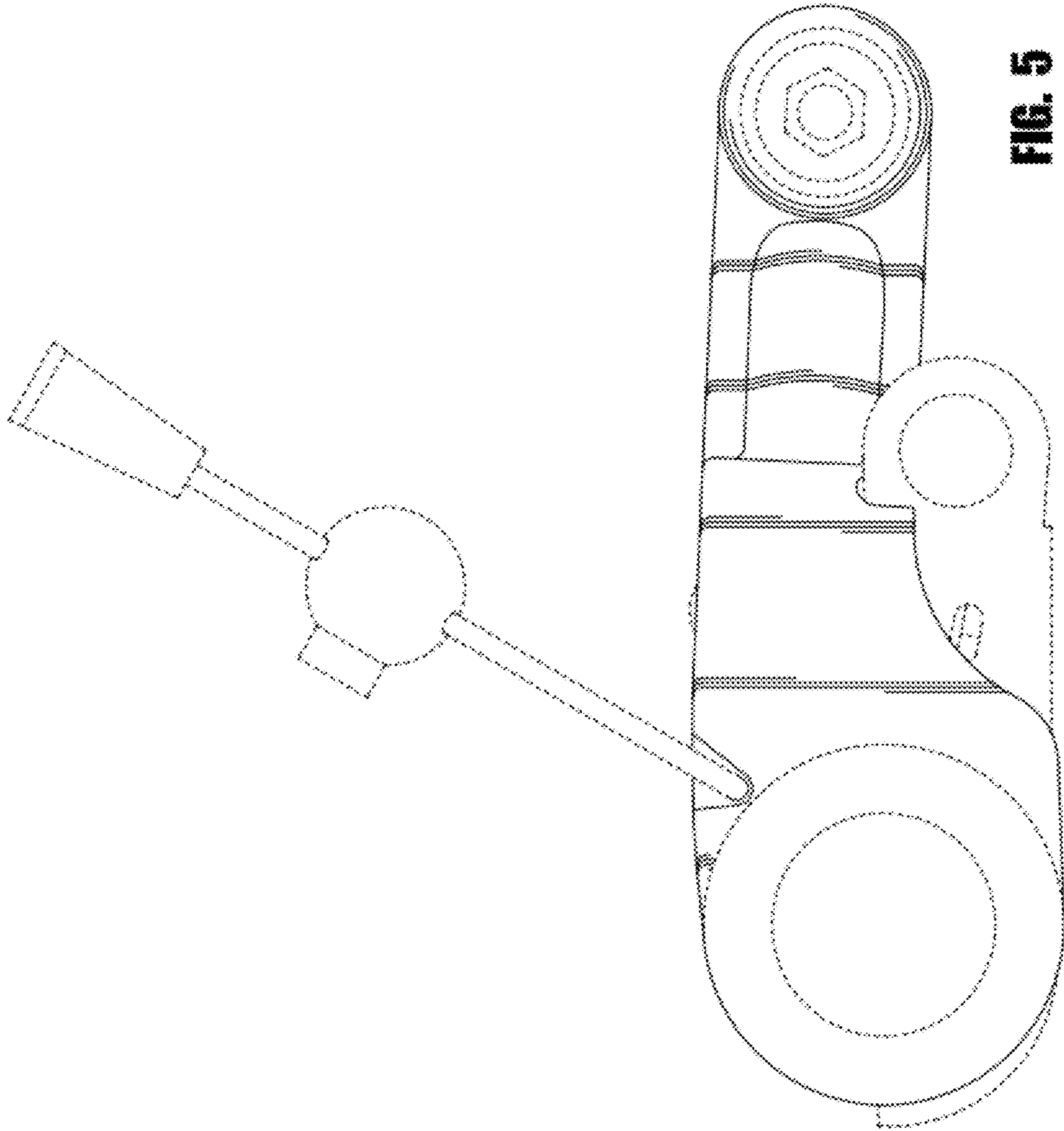


FIG. 4



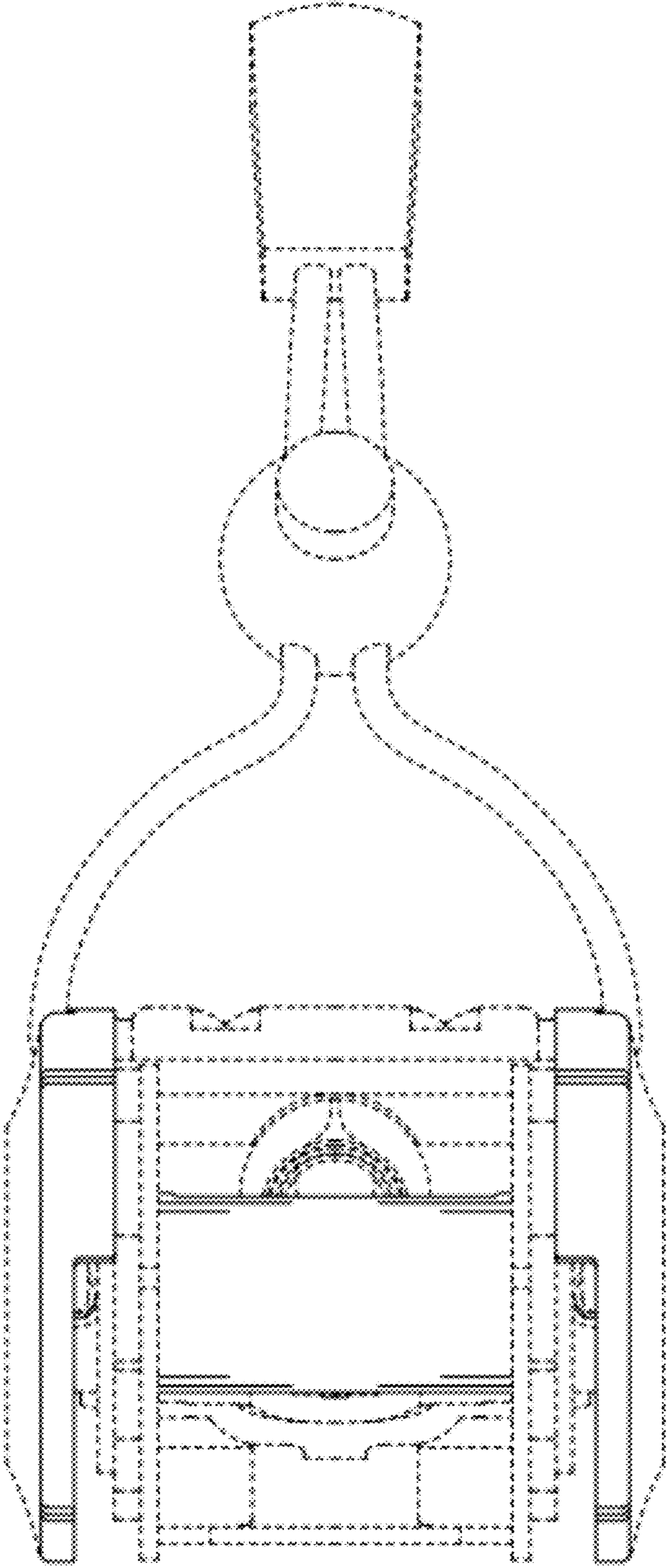


FIG. 6

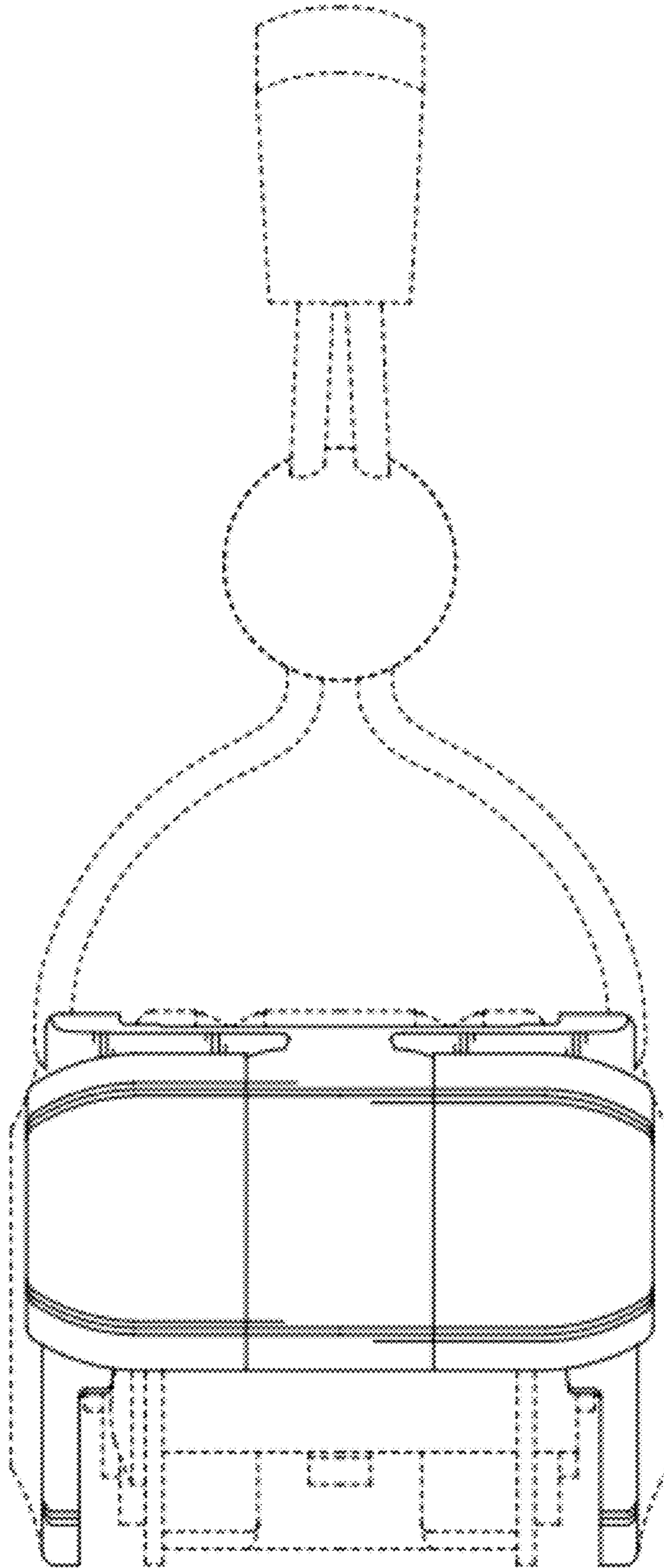


FIG. 7