



US00D661561S

(12) **United States Design Patent**  
**Stinson**

(10) **Patent No.:** **US D661,561 S**  
(45) **Date of Patent:** **\*\* Jun. 12, 2012**

- (54) **TRIPENTA WRENCH**
- (75) Inventor: **Ralph Dudley Stinson**, Lutz, FL (US)
- (73) Assignee: **Madi, LLC**, Greenville, SC (US)
- (\*\*) Term: **14 Years**
- (21) Appl. No.: **29/402,858**
- (22) Filed: **Sep. 28, 2011**
- (51) **LOC (9) Cl.** ..... **08-05**
- (52) **U.S. Cl.** ..... **D8/29; D8/26**
- (58) **Field of Classification Search** ..... D8/14,  
D8/17, 21-29, 354, 107; 81/60, 177.1, 177.85,  
81/121.1, 124.3, 165-170, 110.1, 176.2,  
81/124.6, 176.1, 176.15, 177.2, 186, 437-439,  
81/489, 490, 177.4; 16/110.1; D15/144.1,  
D15/143; 219/75, 227, 229, 121.16, 121.18;  
7/138, 165, 139  
See application file for complete search history.

6,502,483	B1 *	1/2003	Swank et al.	.....	81/437
D490,284	S *	5/2004	McElligott et al.	.....	D8/21
7,249,543	B1 *	7/2007	Pomerantz	.....	81/439
D622,561	S *	8/2010	Brown, III	.....	D8/14
D635,420	S *	4/2011	Fischer	.....	D8/28

\* cited by examiner

*Primary Examiner* — Raphael Barkai  
*Assistant Examiner* — Randall Gholson  
(74) *Attorney, Agent, or Firm* — Trego, Hines & Ladenheim, PLLC

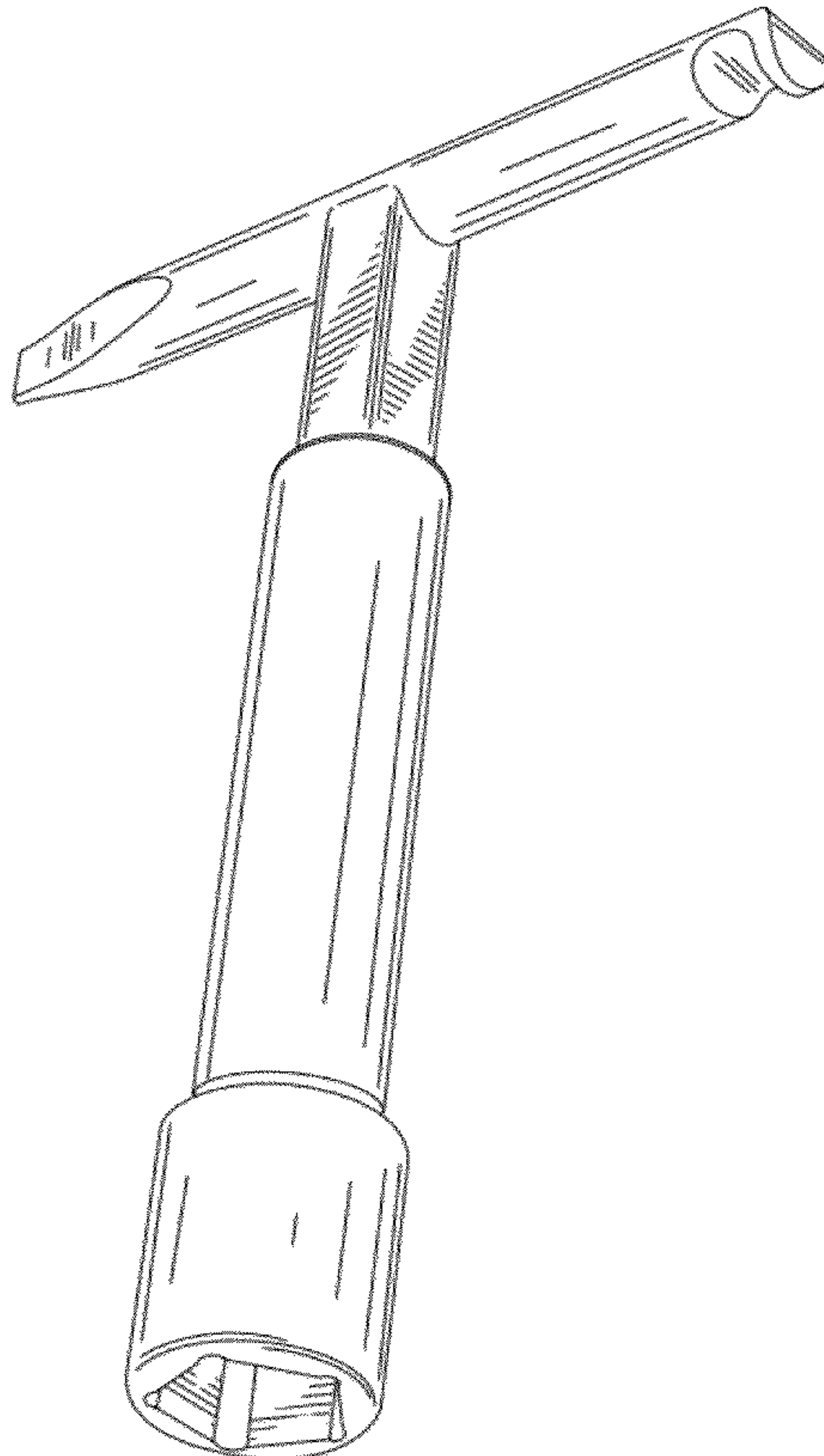
(57) **CLAIM**  
I claim the ornamental design for a tripenta wrench, as shown and described.

**DESCRIPTION**

FIG. 1 is a perspective view of a tripenta wrench, showing my design;  
FIG. 2 is a front elevational view of the tripenta wrench of FIG. 1;  
FIG. 3 is a rear elevational view of the tripenta wrench of FIG. 1;  
FIG. 4 is a right side elevational view of the tripenta wrench of FIG. 1;  
FIG. 5 is a left side elevational view of the tripenta wrench of FIG. 1;  
FIG. 6 is a top view of the tripenta wrench of FIG. 1; and,  
FIG. 7 is a bottom view of the tripenta wrench of FIG. 1.

**1 Claim, 5 Drawing Sheets**

- (56) **References Cited**
- U.S. PATENT DOCUMENTS
- 5,086,674 A \* 2/1992 Her ..... 81/124.4
- 5,285,543 A \* 2/1994 Rowe ..... 7/138
- 5,778,896 A \* 7/1998 Seals et al. .... 131/181
- 6,199,456 B1 \* 3/2001 Hlady ..... 81/177.2
- 6,279,434 B1 \* 8/2001 Brown ..... 81/437
- 6,336,385 B1 \* 1/2002 Wang ..... 81/177.4



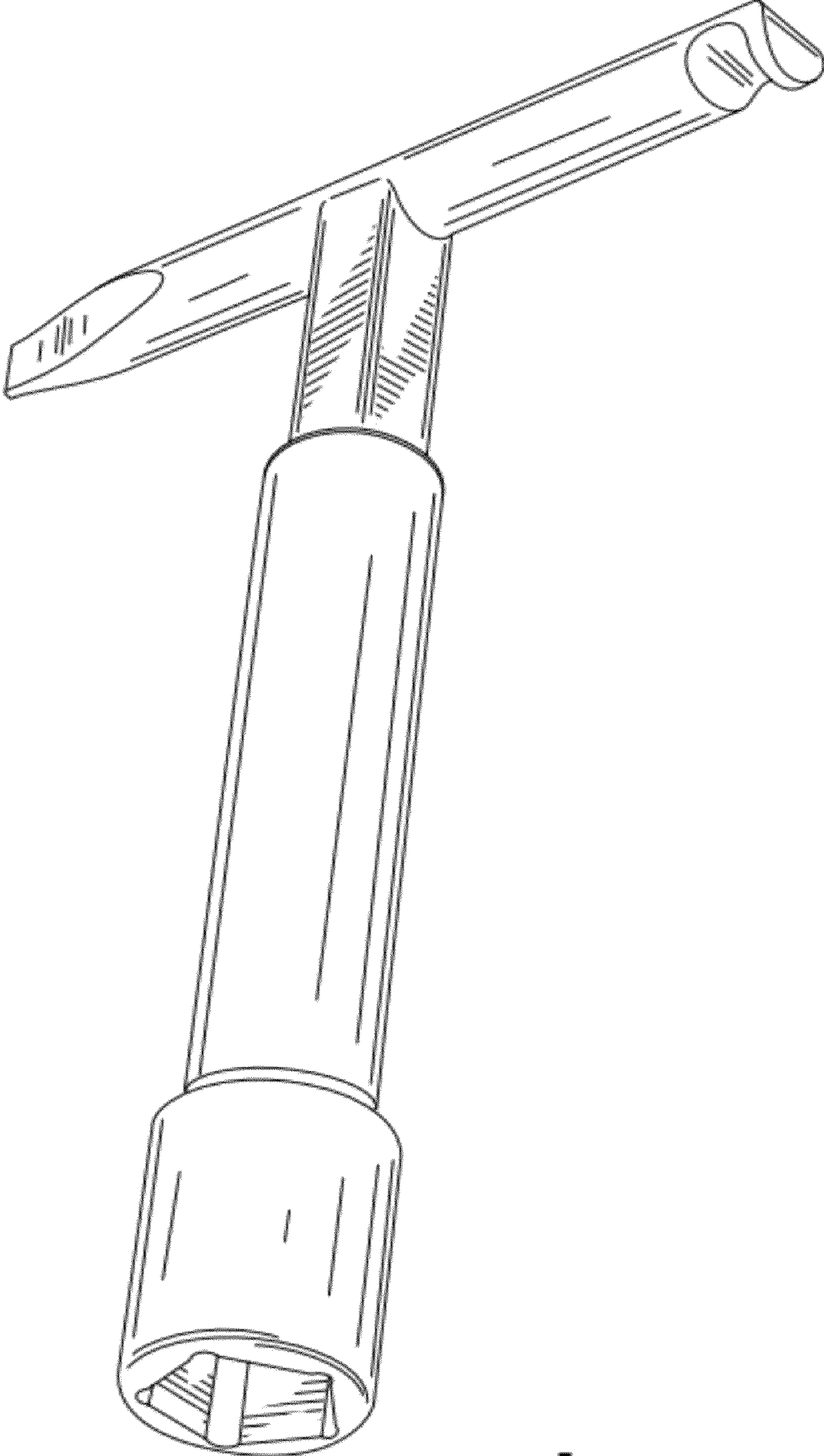
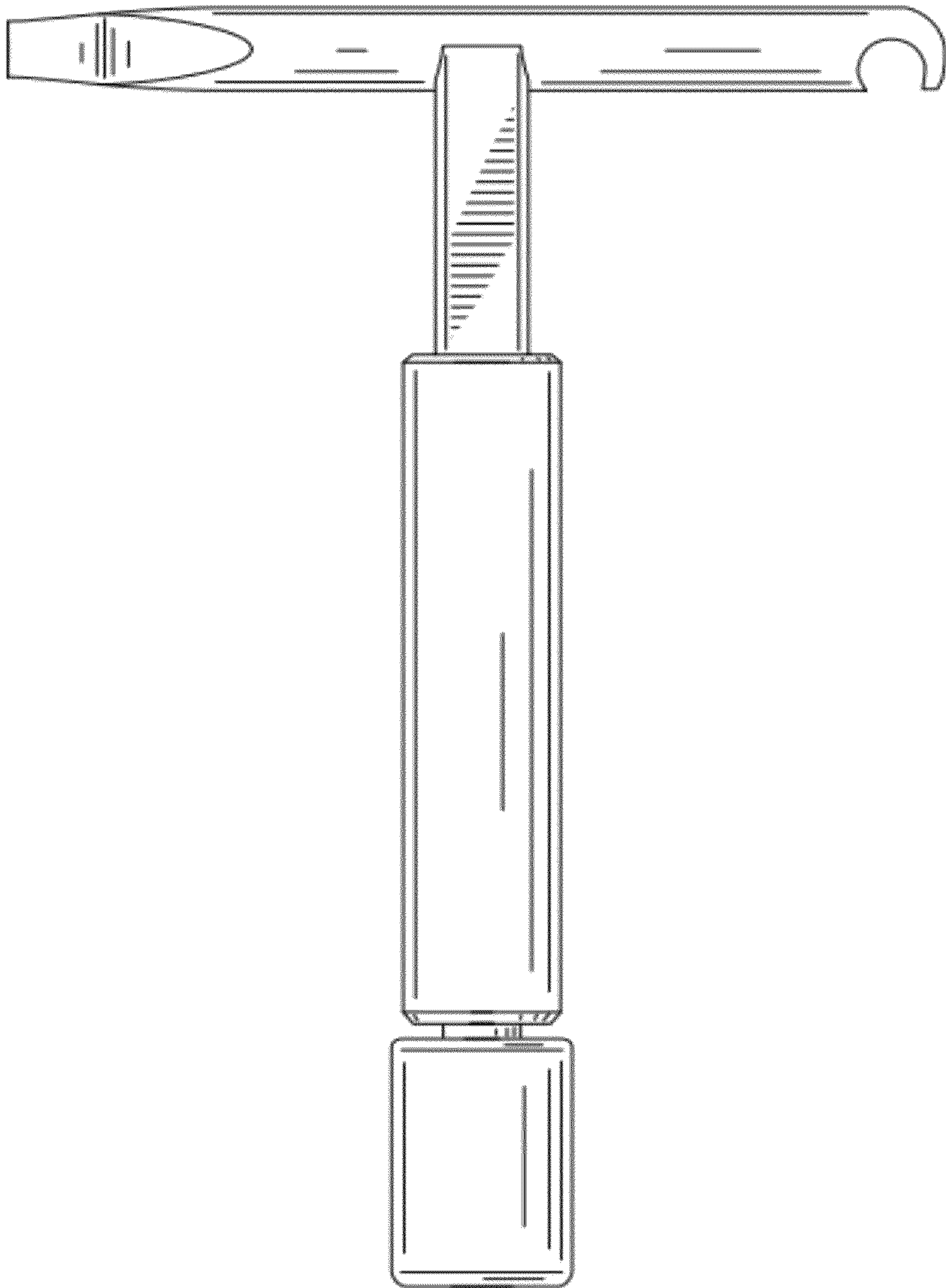
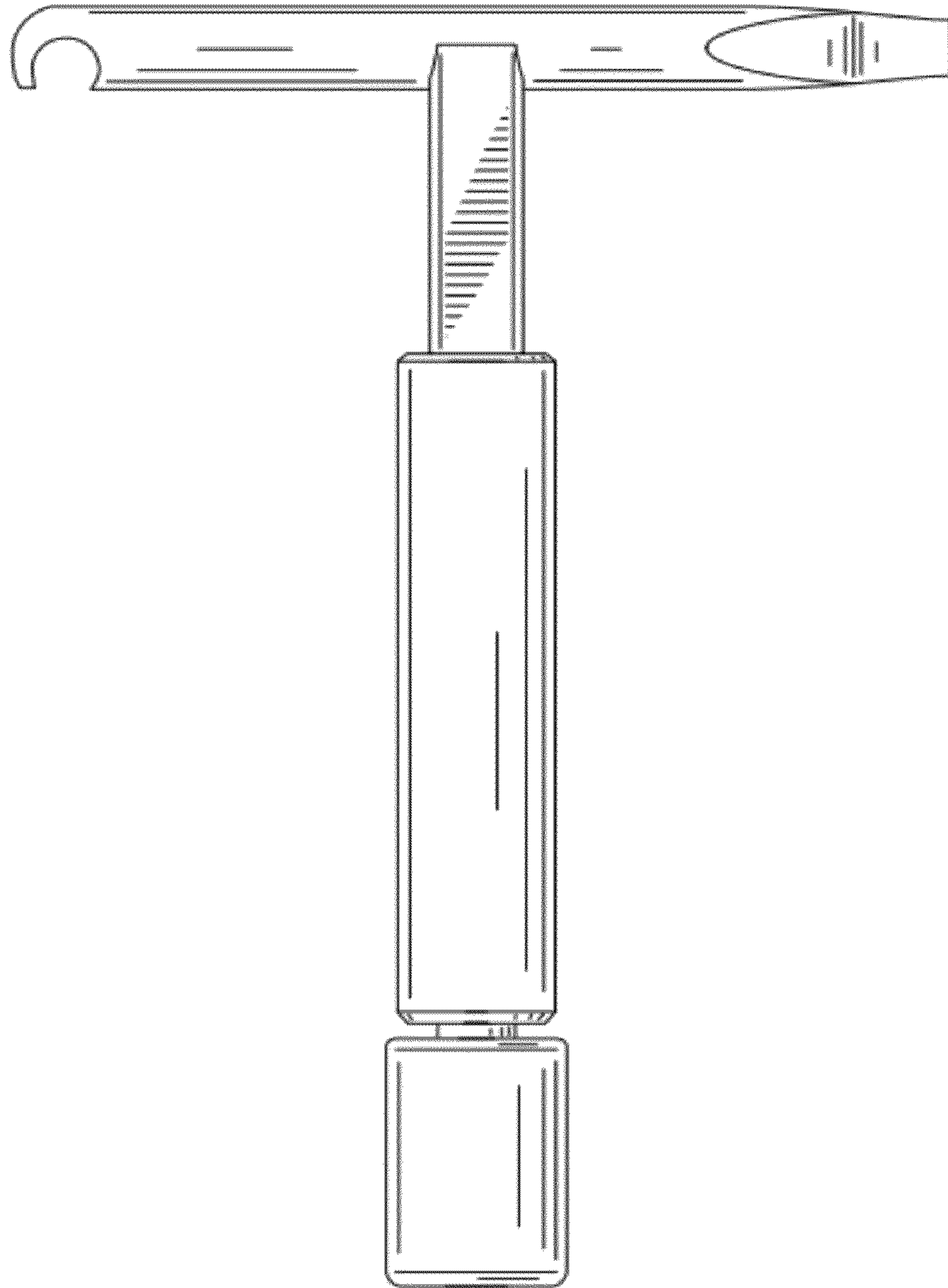


FIG. 1

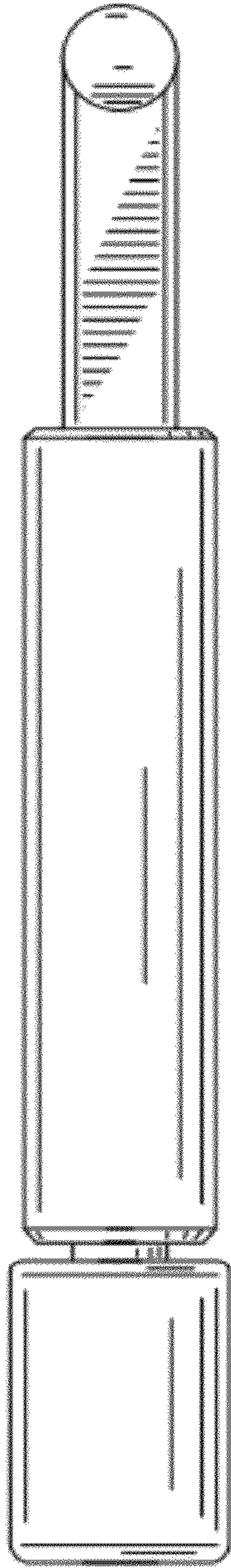


**FIG. 2**

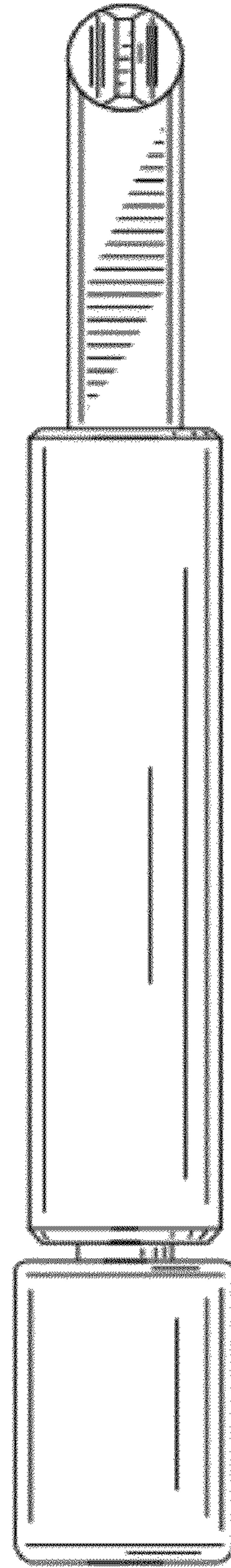




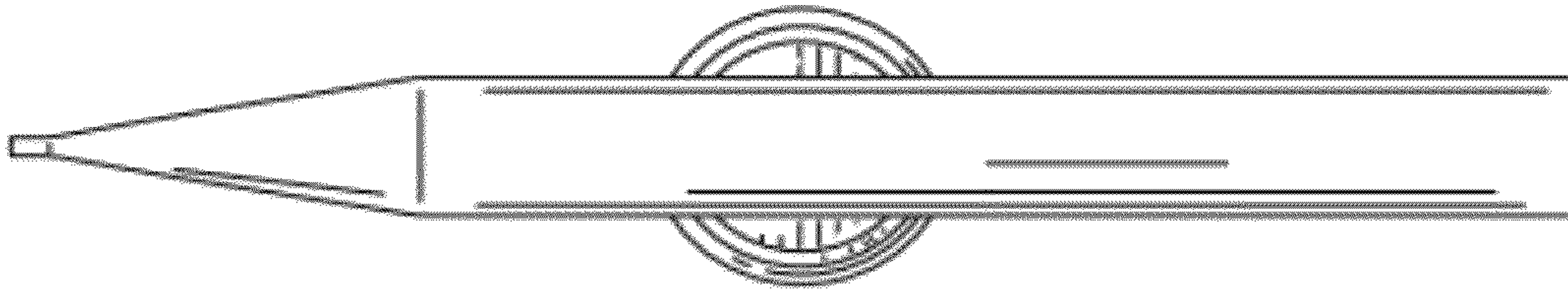
**FIG. 3**



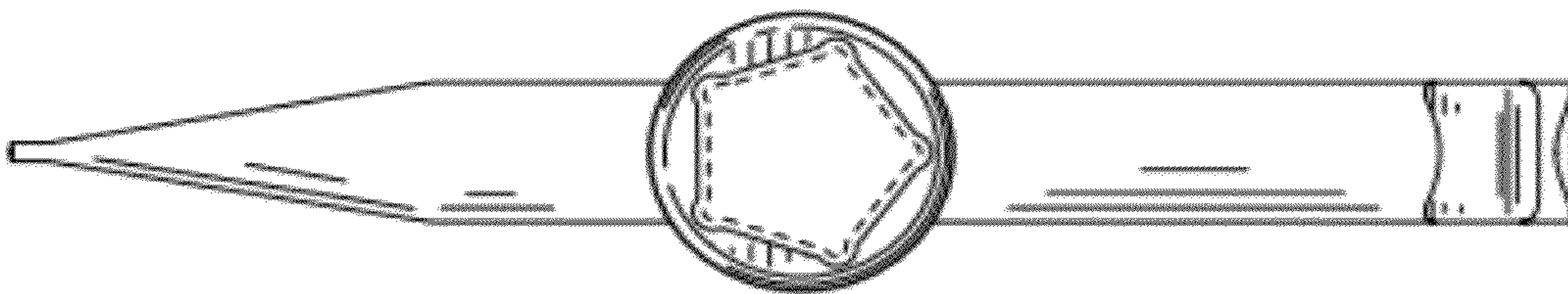
**FIG. 4**



**FIG. 5**



**FIG. 6**



**FIG. 7**