

US00D661560S

(12) **United States Design Patent**
Chang

(10) **Patent No.:** **US D661,560 S**
(45) **Date of Patent:** **** Jun. 12, 2012**

(54) **WRENCH**

(76) Inventor: **Chih-Min Chang**, Changhua County (TW)

(**) Term: **14 Years**

(21) Appl. No.: **29/402,497**

(22) Filed: **Sep. 23, 2011**

(51) **LOC (9) Cl.** **08-05**

(52) **U.S. Cl.** **D8/28**

(58) **Field of Classification Search** D8/21-29;
81/60, 177.1, 177.85, 121.1, 124.3, 165-170,
81/110.1, 176.2, 124.6, 176.1, 176.15, 177.2,
81/186, 125, 119, 180.1, 185.02; 16/110.1;
D15/144.1; 219/75, 227, 229, 121.16, 121.18
See application file for complete search history.

(56) **References Cited**

U.S. PATENT DOCUMENTS

D32,401	S	*	3/1900	Conner	D8/28
3,921,476	A	*	11/1975	Evans	81/119
D409,061	S	*	5/1999	Hsieh	D8/28
6,158,309	A	*	12/2000	Baker	81/119
D479,109	S	*	9/2003	Hsieh	D8/25

D496,238	S	*	9/2004	Hsien	D8/28
D499,619	S	*	12/2004	Hsien	D8/28
6,895,837	B2	*	5/2005	Hsien	81/125.1
D541,120	S	*	4/2007	Chaconas	D8/28
D552,437	S	*	10/2007	Hsieh	D8/27
2007/0295170	A1	*	12/2007	Hsieh	81/119
2008/0276764	A1	*	11/2008	Hsieh	81/176.1
2008/0295662	A1	*	12/2008	Dopping et al.	83/109

* cited by examiner

Primary Examiner — Raphael Barkai

Assistant Examiner — Randall Gholson

(74) *Attorney, Agent, or Firm* — Browdy and Neimark, PLLC

(57) **CLAIM**

The ornamental design for a wrench, as shown and described.

DESCRIPTION

FIG. 1 shows a perspective view of the present design.
FIG. 2 shows a front elevational view of the present design.
FIG. 3 shows a rear elevational view of the present design.
FIG. 4 shows a left side elevational view of the present design.
FIG. 5 shows a right side elevational view of the present design.
FIG. 6 shows a top plan view of the present design; and,
FIG. 7 shows a bottom plan view of the present design.

1 Claim, 4 Drawing Sheets



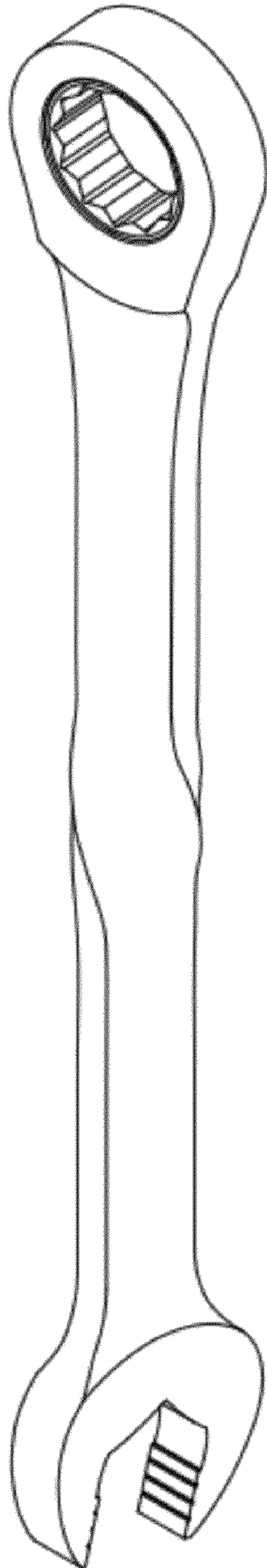


FIG. 1

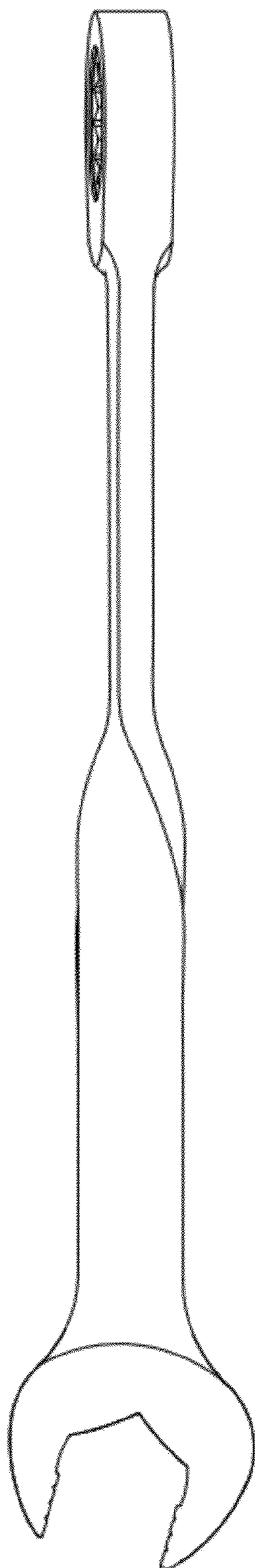


FIG. 2

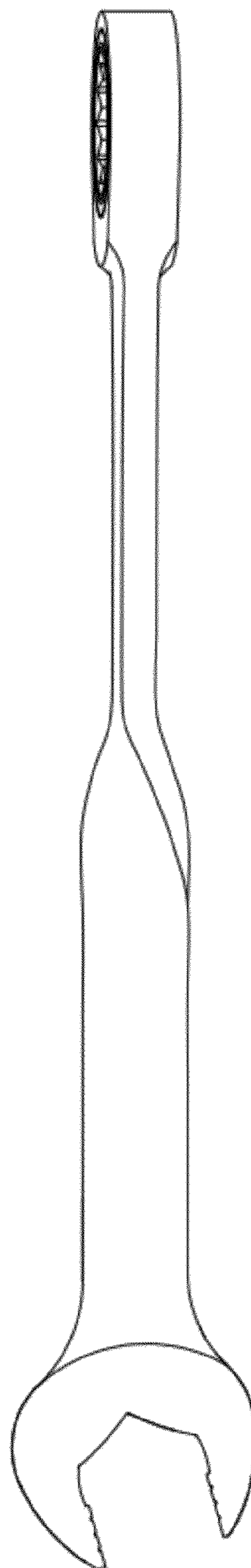


FIG. 3



FIG. 4



FIG. 5

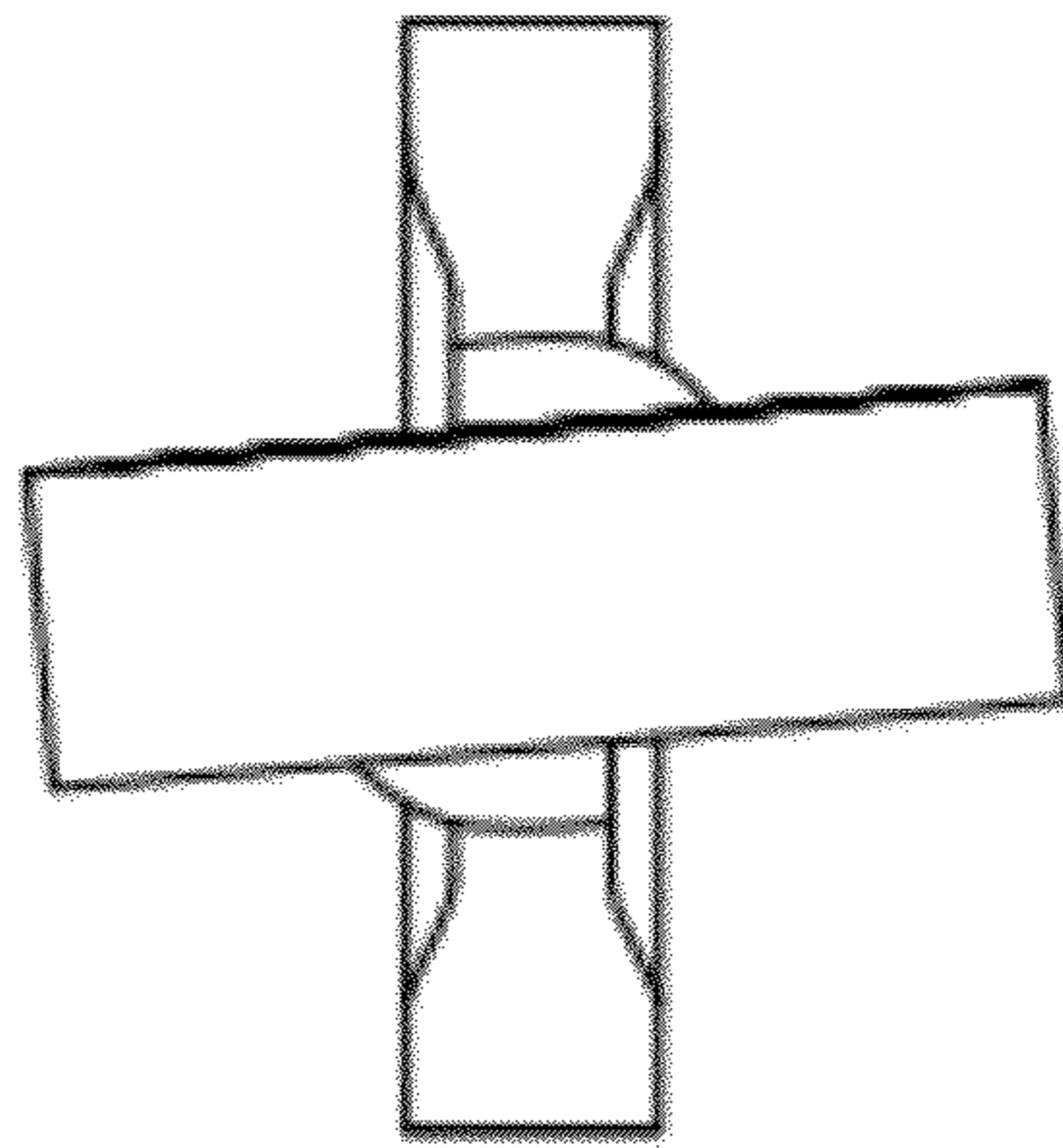


FIG. 6

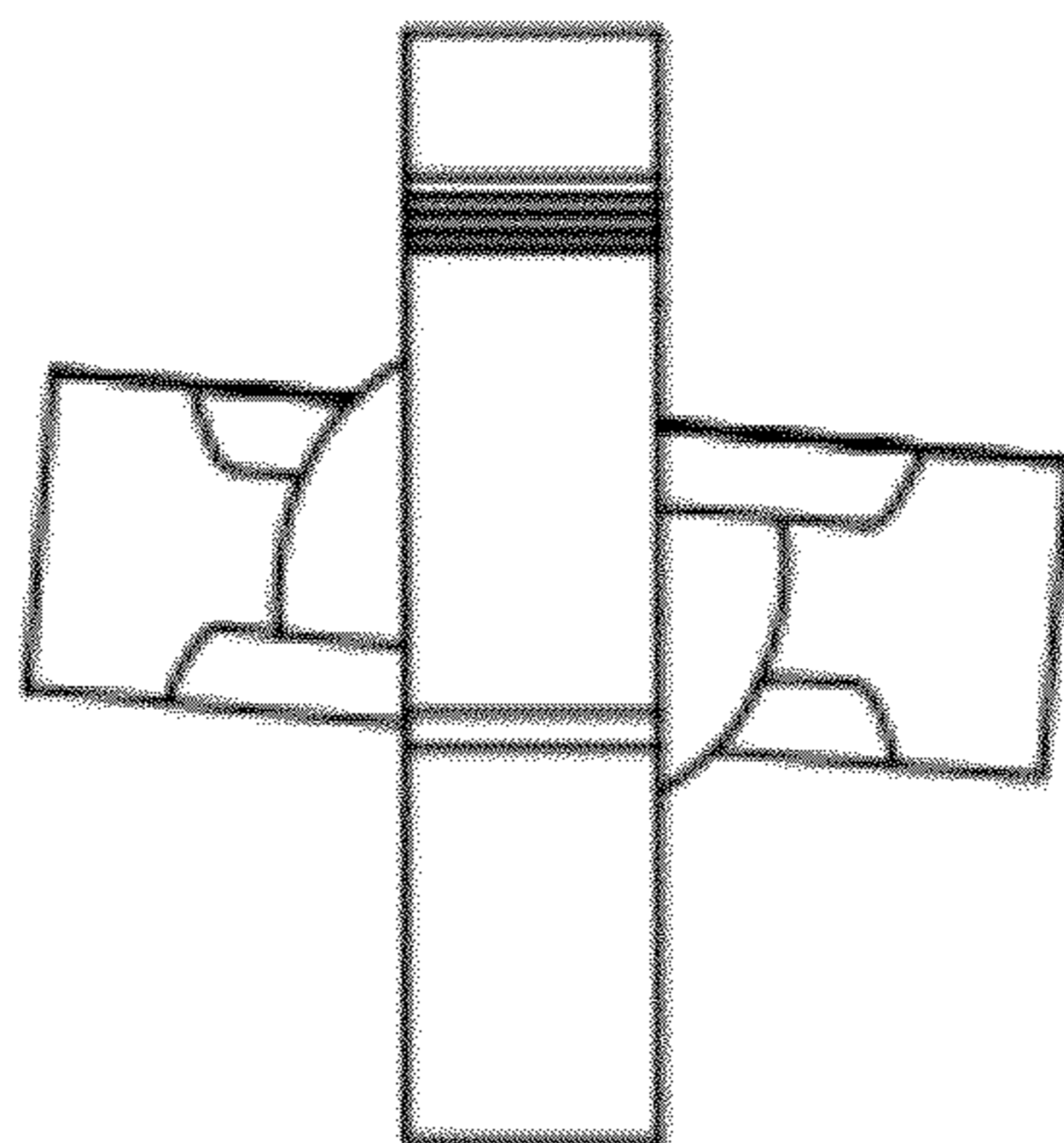


FIG. 7