



US00D661558S

(12) **United States Design Patent**  
**Oymaian**

(10) **Patent No.:** **US D661,558 S**

(45) **Date of Patent:** **\*\* Jun. 12, 2012**

(54) **BREAKOUT TOOL**

(75) **Inventor:** **Jeffrey A. Oymaian**, Orange, CA (US)

(73) **Assignee:** **J.A.O. Tool, Inc.**, Orange, CA (US)

(\*\*) **Term:** **14 Years**

(21) **Appl. No.:** **29/369,803**

(22) **Filed:** **Sep. 13, 2010**

(51) **LOC (9) Cl.** ..... **08-05**

(52) **U.S. Cl.** ..... **D8/17**

(58) **Field of Classification Search** ..... D8/14,  
D8/16, 88, 89; 248/211; D6/541; 222/95,  
222/96, 98, 99, 100, 103; 81/489, 490; 15/236.09  
See application file for complete search history.

|                |         |                 |       |           |
|----------------|---------|-----------------|-------|-----------|
| D613,722 S *   | 4/2010  | Kaneta          | ..... | D14/138 G |
| D616,879 S *   | 6/2010  | Kim et al.      | ..... | D14/250   |
| D619,573 S *   | 7/2010  | Khan et al.     | ..... | D14/250   |
| 7,912,520 B2 * | 3/2011  | Choi et al.     | ..... | 455/575.1 |
| 7,962,186 B2 * | 6/2011  | Cui et al.      | ..... | 455/575.7 |
| 7,991,440 B2 * | 8/2011  | Liu et al.      | ..... | 455/575.1 |
| D644,638 S *   | 9/2011  | Melanson et al. | ..... | D14/250   |
| D644,639 S *   | 9/2011  | Weller et al.   | ..... | D14/250   |
| D647,519 S *   | 10/2011 | Rothbaum et al. | ..... | D14/250   |

\* cited by examiner

*Primary Examiner* — Susan Bennett Hattan

*Assistant Examiner* — Barbara B Lohr

(74) *Attorney, Agent, or Firm* — Knobbe, Martens, Olson & Bear, LLP

(57) **CLAIM**

The ornamental designs for a breakout tool, as shown and described.

**DESCRIPTION**

FIG. 1 is a front perspective view of a breakout tool;

FIG. 2 is a front view thereof;

FIG. 3 is a back view thereof;

FIG. 4 is a left side view thereof;

FIG. 5 is a right side view thereof;

FIG. 6 is a bottom end view thereof; and,

FIG. 7 is a top end view thereof.

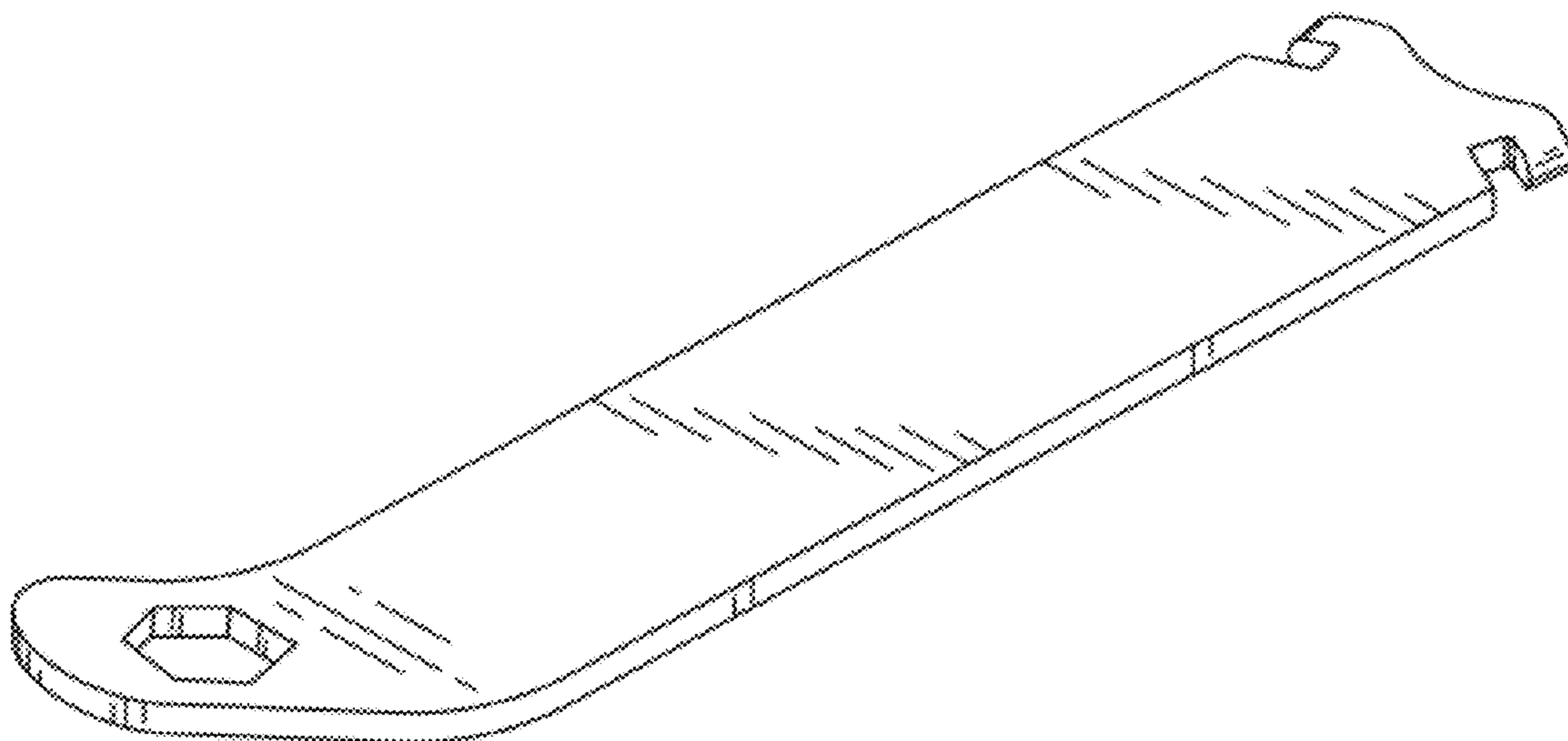
All features illustrated in phantom line are expressly disclaimed and form no part of the claimed design.

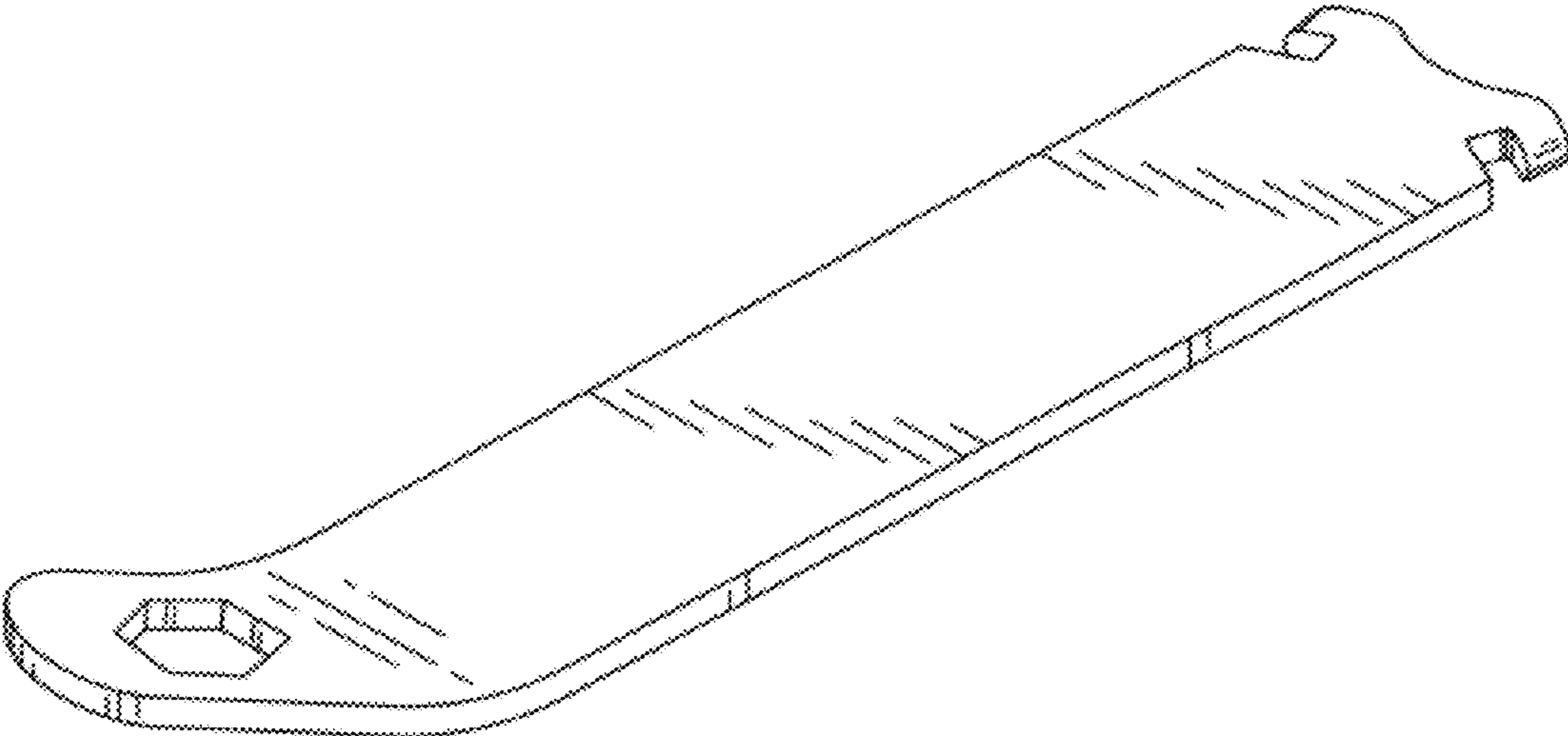
**1 Claim, 3 Drawing Sheets**

(56) **References Cited**

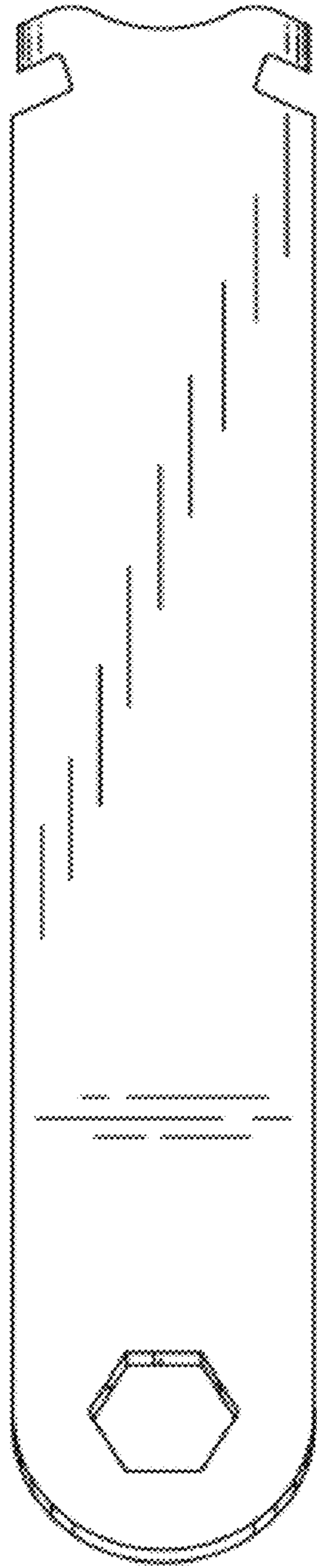
**U.S. PATENT DOCUMENTS**

|               |         |              |       |         |
|---------------|---------|--------------|-------|---------|
| 3,204,907 A * | 9/1965  | Tattrie      | ..... | 248/211 |
| 3,579,797 A   | 5/1971  | Pepe         |       |         |
| 3,713,200 A   | 1/1973  | Burns        |       |         |
| 3,736,643 A   | 6/1973  | Pepe         |       |         |
| 4,167,056 A   | 9/1979  | Nattel       |       |         |
| 4,509,242 A   | 4/1985  | Marra        |       |         |
| D359,894 S *  | 7/1995  | Pomeroy      | ..... | D8/16   |
| 5,937,695 A   | 8/1999  | Patterson    |       |         |
| D416,178 S *  | 11/1999 | Moore et al. | ..... | D8/16   |
| D433,604 S *  | 11/2000 | Tipp         | ..... | D8/14   |

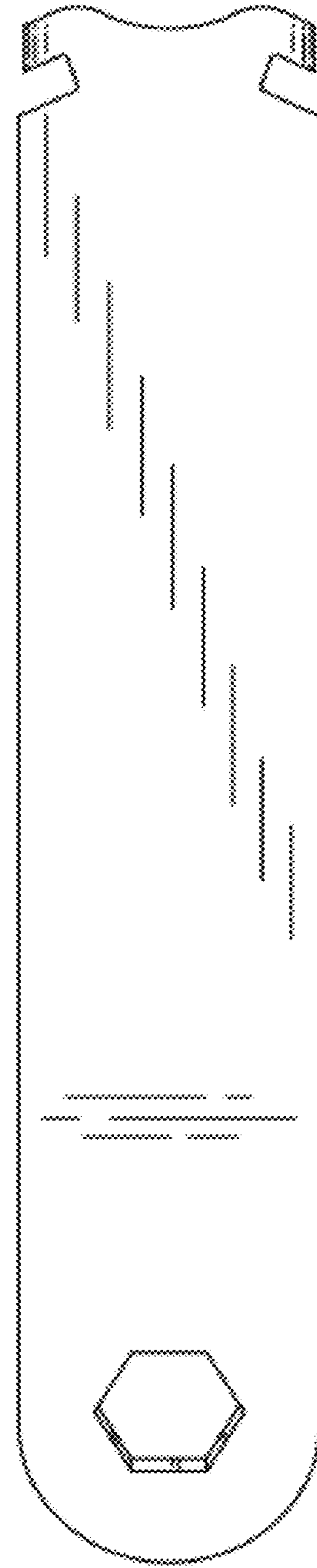




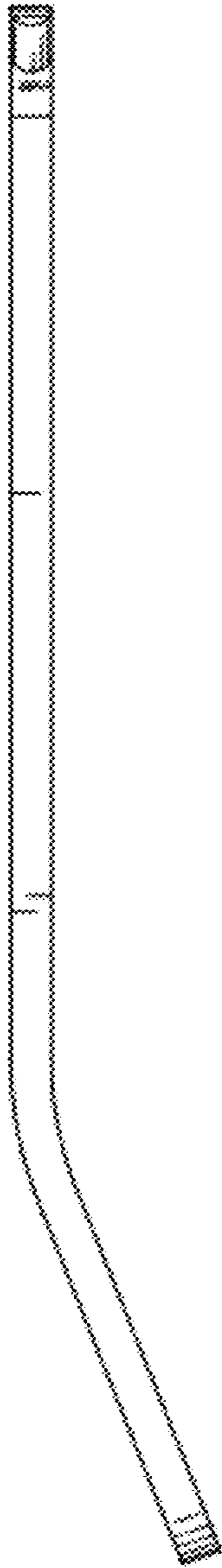
*FIG. 1*



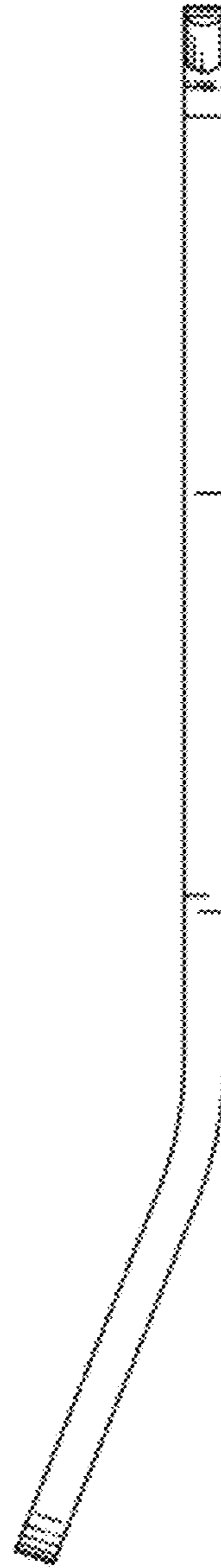
*FIG. 2*



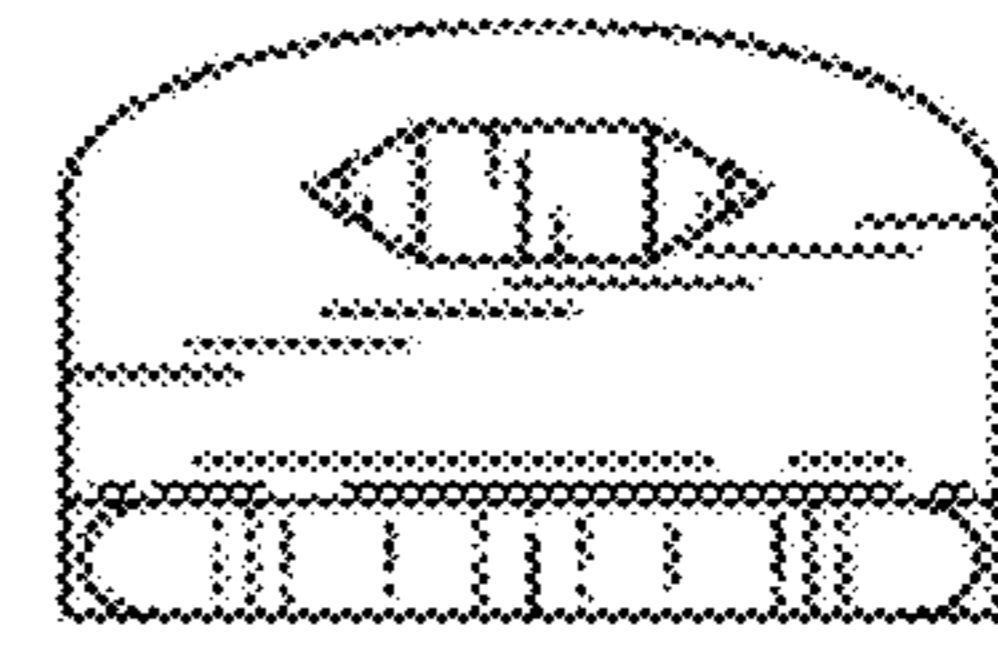
*FIG. 3*



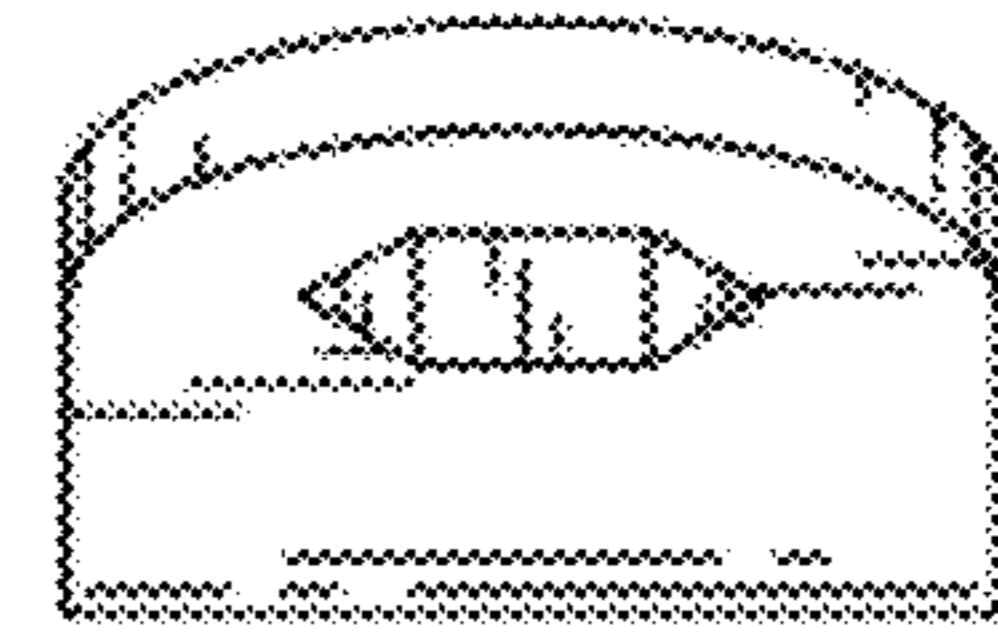
*FIG. 4*



*FIG. 5*



*FIG. 6*



*FIG. 7*

UNITED STATES PATENT AND TRADEMARK OFFICE  
**CERTIFICATE OF CORRECTION**

PATENT NO. : D661,558 S  
APPLICATION NO. : 29/369803  
DATED : June 12, 2012  
INVENTOR(S) : Oymaian

Page 1 of 1

It is certified that error appears in the above-identified patent and that said Letters Patent is hereby corrected as shown below:

In column 2 (page 1, item 57) at line 5, Change “thereof:” to --thereof;--.

In column 2 (page 1, item 57) at line 6, Change “thereof:” to --thereof;--.

Signed and Sealed this  
Twenty-second Day of January, 2013

A handwritten signature in black ink that reads "David J. Kappos". The signature is written in a cursive style with a large initial 'D' and 'K'.

David J. Kappos  
*Director of the United States Patent and Trademark Office*