



US00D661557S

(12) **United States Design Patent**  
**Sweeney**

(10) **Patent No.:** **US D661,557 S**  
(45) **Date of Patent:** **\*\* Jun. 12, 2012**

(54) **HEDGE TRIMMER**  
(75) Inventor: **Sean Sweeney**, Durham (GB)  
(73) Assignee: **Black & Decker Inc.**, Newark, DE (US)  
(\*\*) Term: **14 Years**  
(21) Appl. No.: **29/402,452**  
(22) Filed: **Sep. 23, 2011**

(30) **Foreign Application Priority Data**  
Apr. 18, 2011 (EM) ..... 001271449  
(51) **LOC (9) Cl.** ..... **08-01**  
(52) **U.S. Cl.** ..... **D8/8**  
(58) **Field of Classification Search** ..... D8/7, 8,  
D8/9; 30/216, 208, 276, 228, 382, 383; 56/12.7,  
56/233-237, 295  
See application file for complete search history.

(56) **References Cited**  
**U.S. PATENT DOCUMENTS**  
D462,882 S \* 9/2002 Evans ..... D8/8  
D463,228 S \* 9/2002 Cooper ..... D8/8  
D463,229 S \* 9/2002 Gabriel ..... D8/8  
D468,600 S \* 1/2003 Evans ..... D8/8  
D473,116 S \* 4/2003 Jong ..... D8/8

D505,602 S \* 5/2005 Houghton ..... D8/8  
D580,238 S \* 11/2008 Murray ..... D8/8  
D580,239 S \* 11/2008 Murray ..... D8/8  
D582,225 S \* 12/2008 Bochmann et al. .... D8/8  
D623,909 S \* 9/2010 Tate et al. .... D8/8  
D624,371 S \* 9/2010 Tinius ..... D8/8  
D640,111 S \* 6/2011 Tinius ..... D8/65  
\* cited by examiner

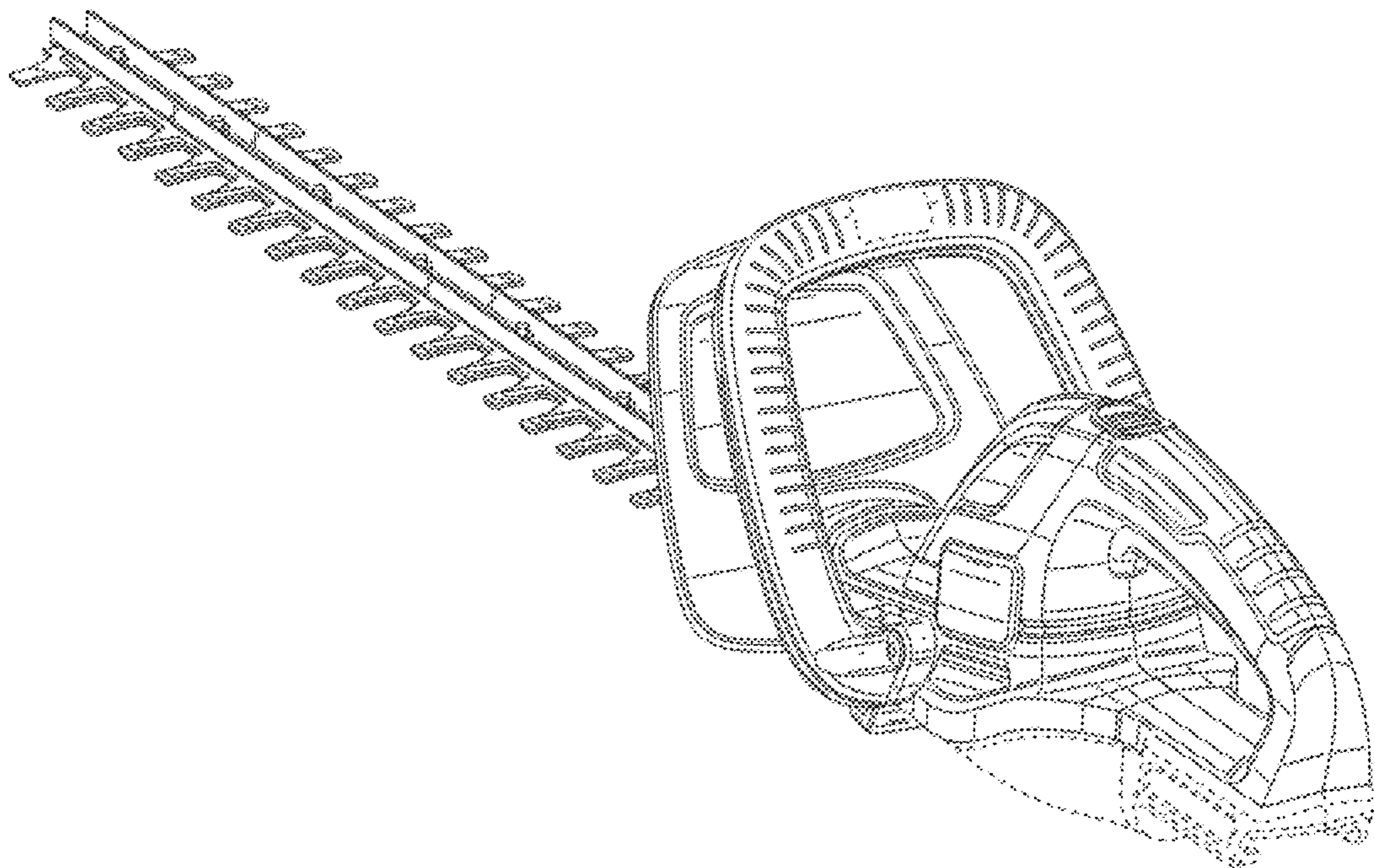
*Primary Examiner* — Sheryl Lane  
(74) *Attorney, Agent, or Firm* — Jon Yun

(57) **CLAIM**  
The ornamental design for a hedge trimmer, as shown and described.

**DESCRIPTION**

FIG. 1 is a perspective view of a hedge trimmer showing my new design;  
FIG. 2 is a front view thereof  
FIG. 3 is a rear view thereof;  
FIG. 4 is a right side view thereof;  
FIG. 5 is a left side view thereof;  
FIG. 6 is a top plan view thereof; and,  
FIG. 7 is a bottom plan view thereof.  
In the above drawings the broken lines and the areas within the broken lines form no part of the claimed design.

**1 Claim, 6 Drawing Sheets**



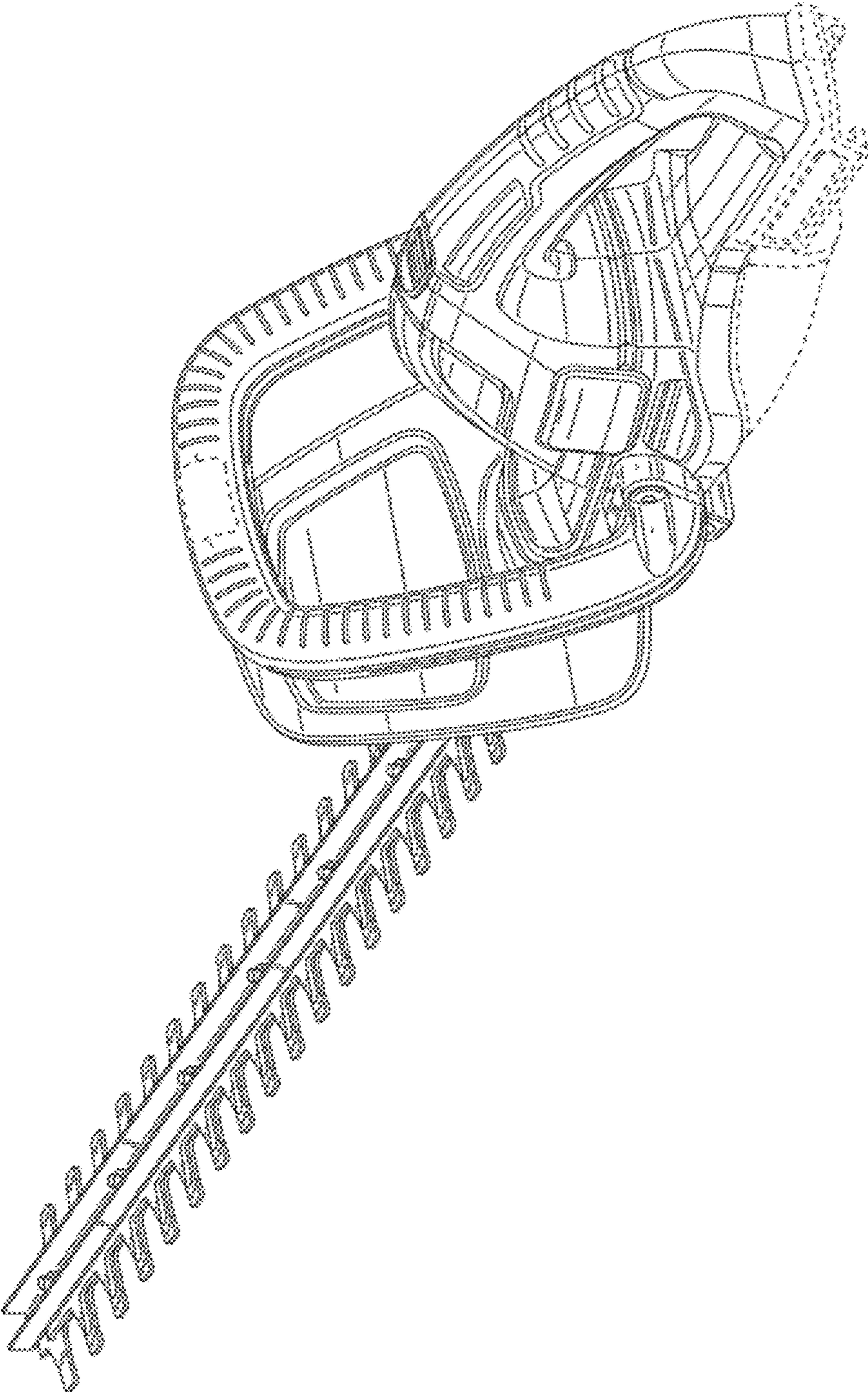


FIG. 1

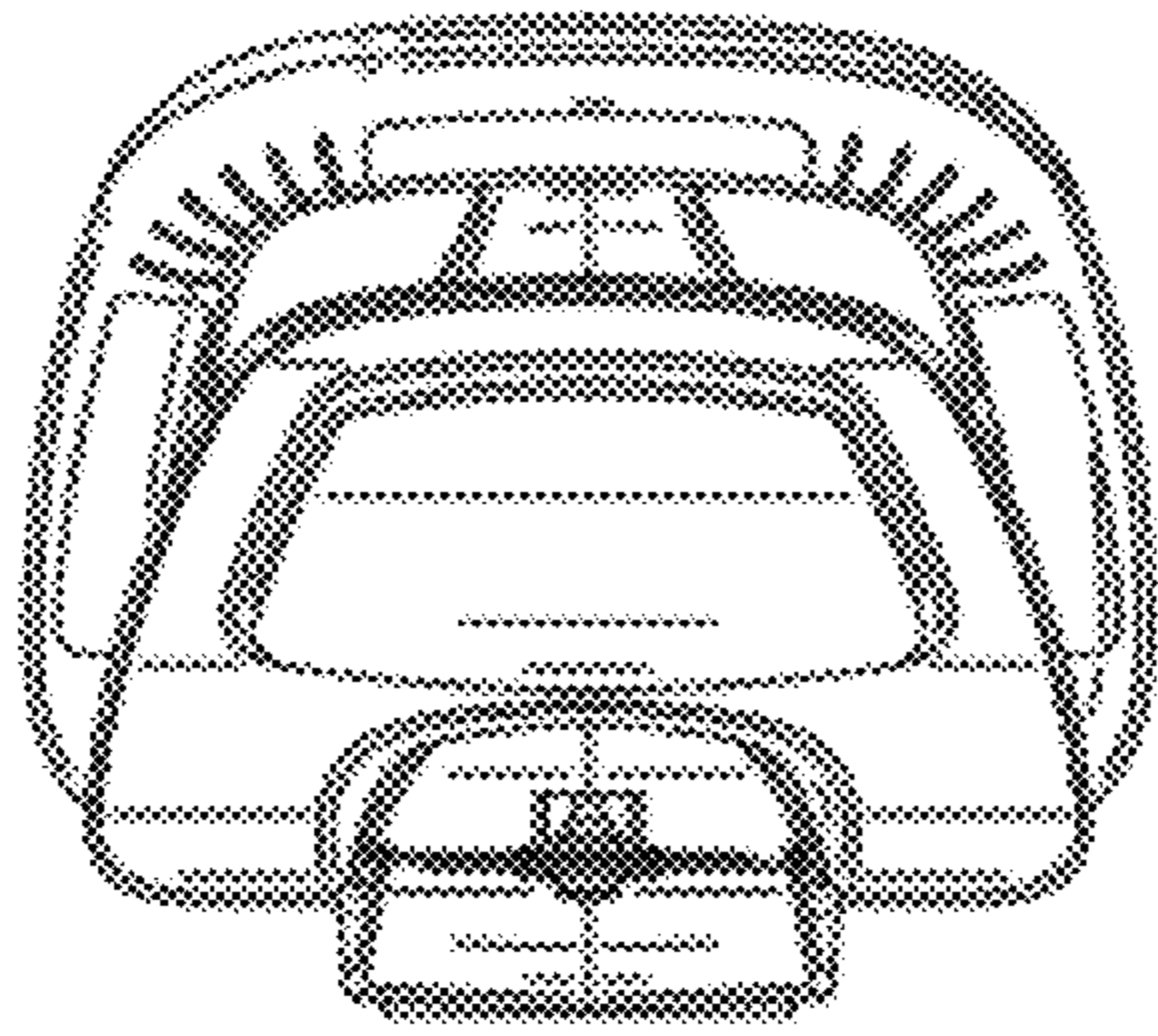


FIG. 2

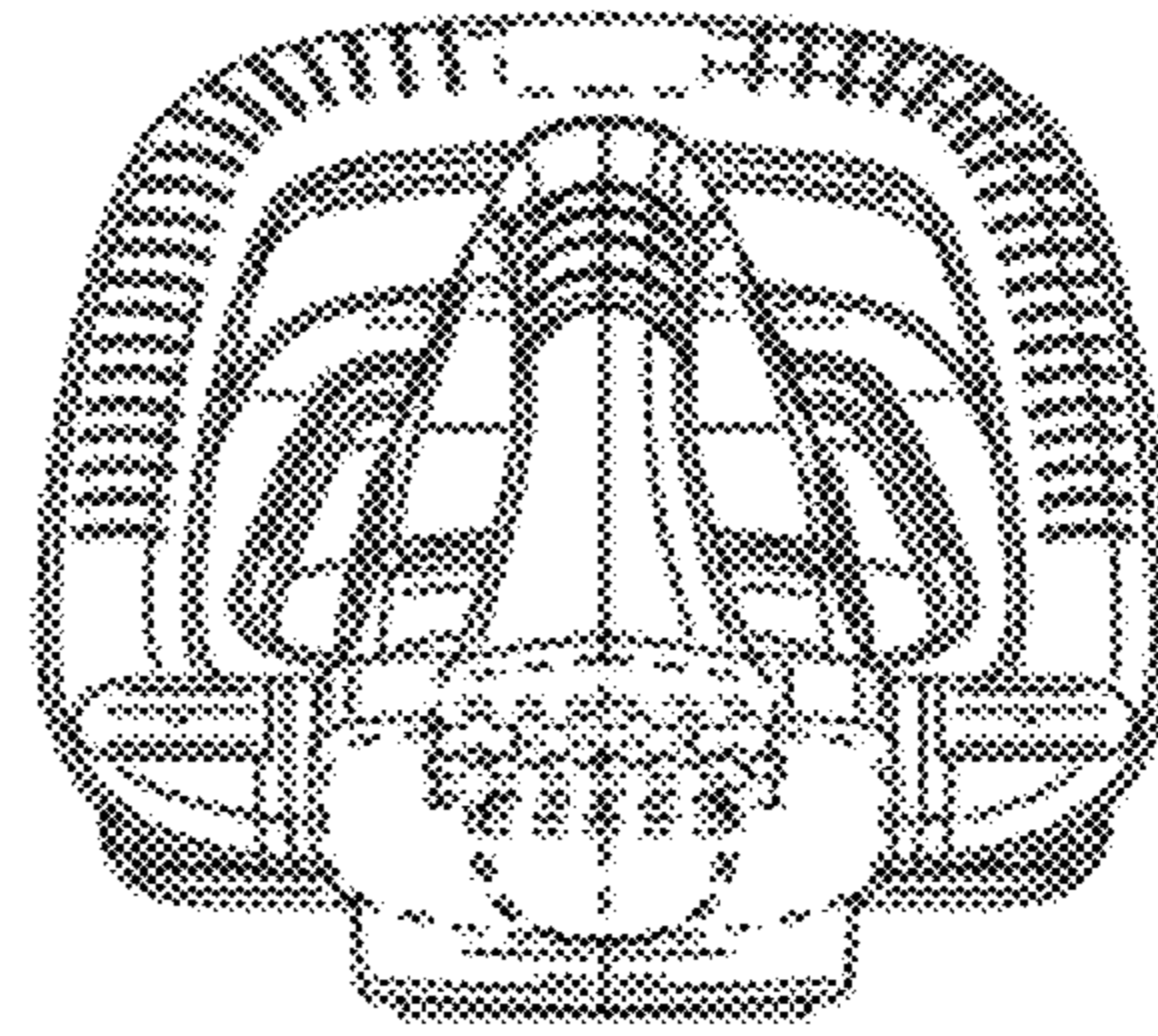


FIG. 3

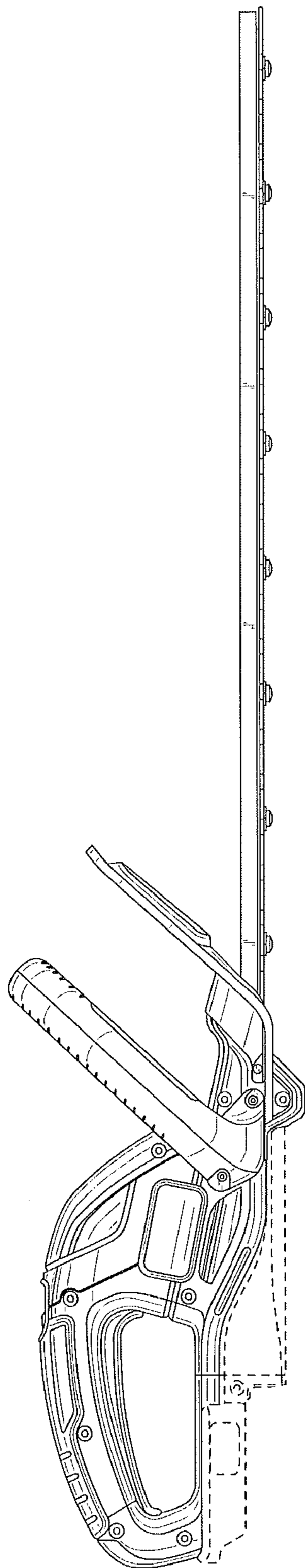


FIG. 4

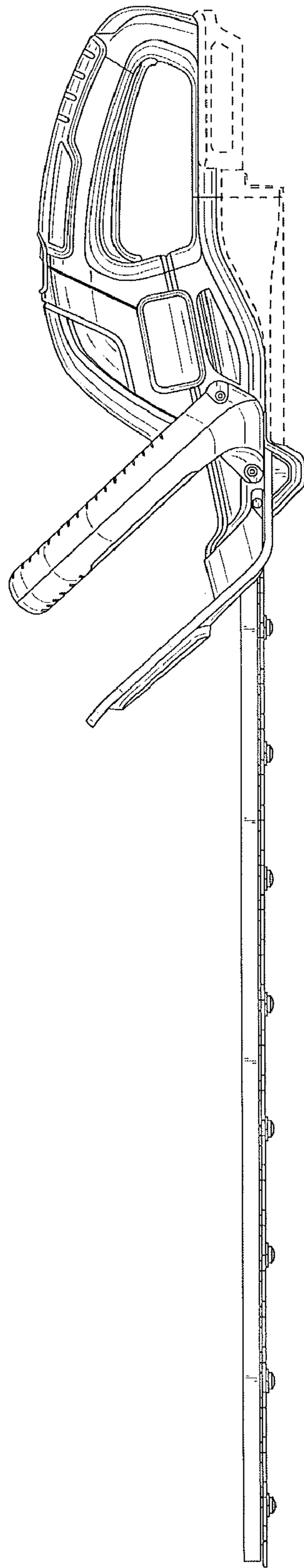


FIG. 5

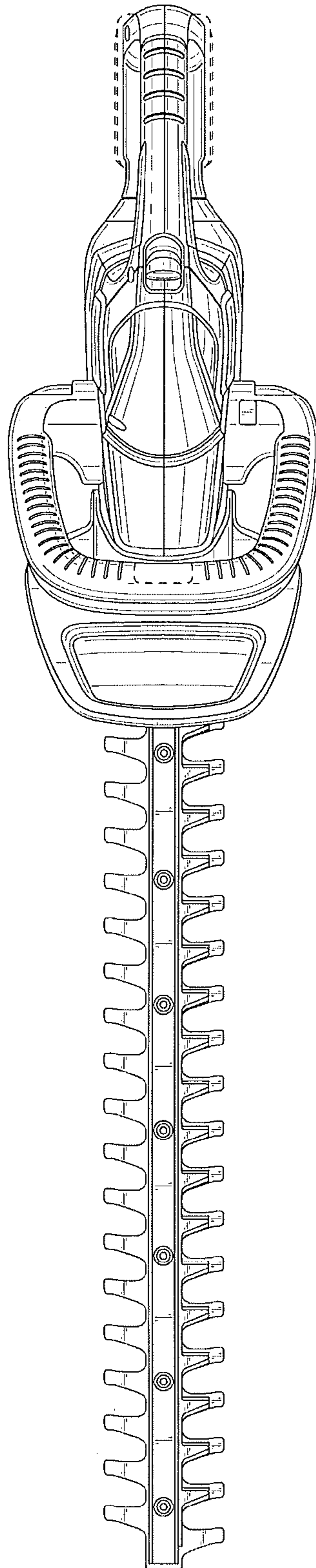


FIG. 6

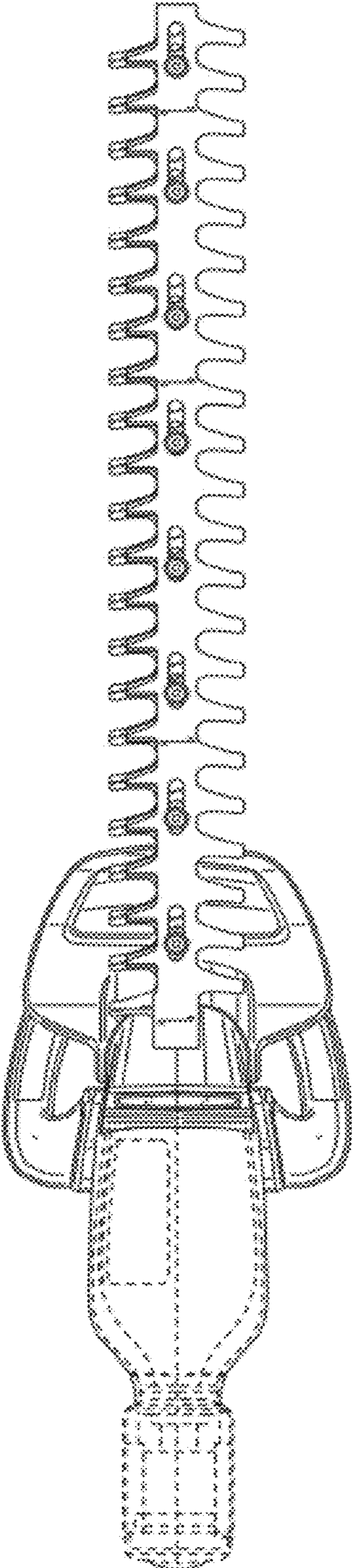


FIG. 7