

US00D661555S

(12) **United States Design Patent**
Holcomb et al.

(10) **Patent No.:** **US D661,555 S**

(45) **Date of Patent:** **** Jun. 12, 2012**

(54) **FOOD CHOPPER**

(75) Inventors: **David A. Holcomb**, Seattle, WA (US);
Theresa H. Lee, Seattle, WA (US)

(73) Assignee: **Chef'n Corporation**, Seattle, WA (US)

(**) Term: **14 Years**

(21) Appl. No.: **29/378,491**

(22) Filed: **Nov. 4, 2010**

(51) **LOC (9) Cl.** **07-06**

(52) **U.S. Cl.** **D7/694**

(58) **Field of Classification Search** D7/693-695,
D7/368, 669; 30/319, 329, 307, 334, 151,
30/292, 294; 83/13, 698.42, 745, 544, 565,
83/614

See application file for complete search history.

(56) **References Cited**

U.S. PATENT DOCUMENTS

D260,223	S	*	8/1981	De Coster	D7/694
D311,843	S	*	11/1990	Yeh	D7/695
D355,815	S	*	2/1995	La Gro	D7/694
D375,662	S	*	11/1996	Noga	D7/694

6,675,689	B2	*	1/2004	Nunez et al.	83/745
D511,075	S	*	11/2005	Christ et al.	D7/694
D519,334	S	*	4/2006	Molenaar	D7/694
7,134,209	B1	*	11/2006	Molenaar	30/319
2004/0231475	A1	*	11/2004	Cornfield et al.	83/13

* cited by examiner

Primary Examiner — Terry Wallace

(74) *Attorney, Agent, or Firm* — Seed IP Law Group PLLC

(57) **CLAIM**

The ornamental design for a food chopper, as shown and described.

DESCRIPTION

FIG. 1 is a front perspective view of a food chopper showing our new design.

FIG. 2 is a right side elevational view thereof.

FIG. 3 is a left side elevational view thereof.

FIG. 4 is a front elevational view thereof.

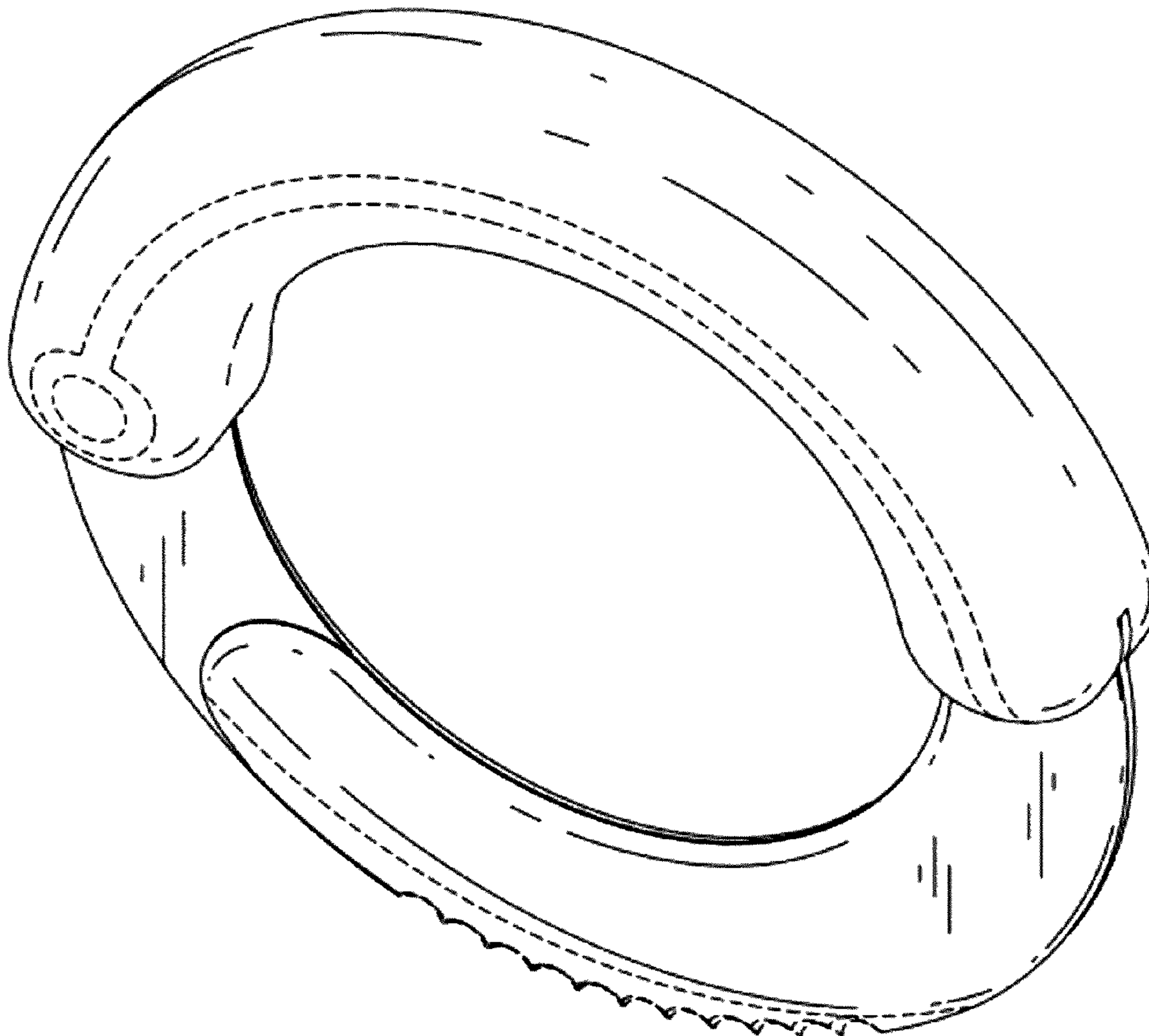
FIG. 5 is a rear elevational view thereof.

FIG. 6 is a top plan view thereof; and,

FIG. 7 is a bottom plan view thereof.

The broken lines in the figures are for illustrative purposes only and form no part of the claimed design.

1 Claim, 5 Drawing Sheets



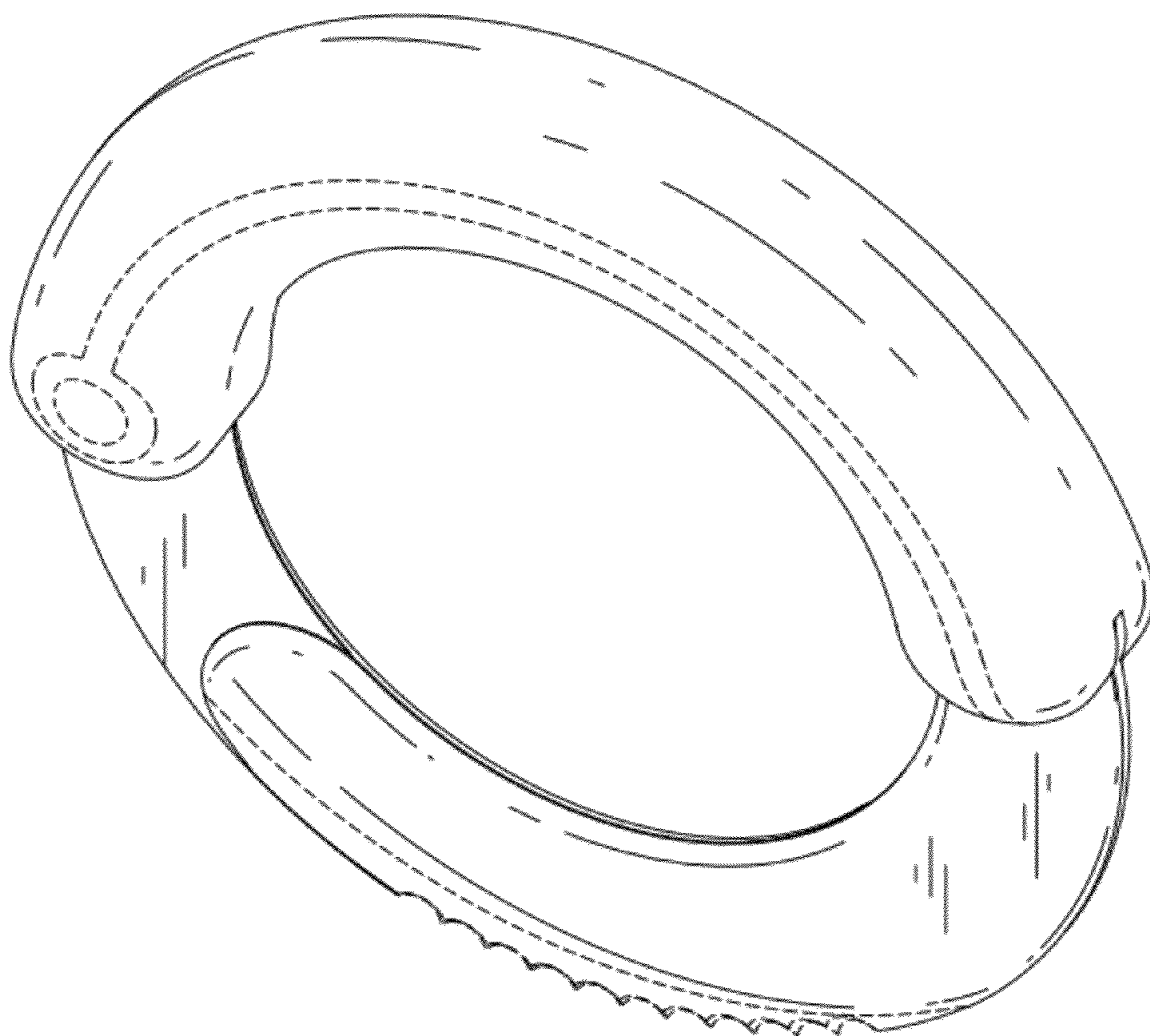


FIG. 1

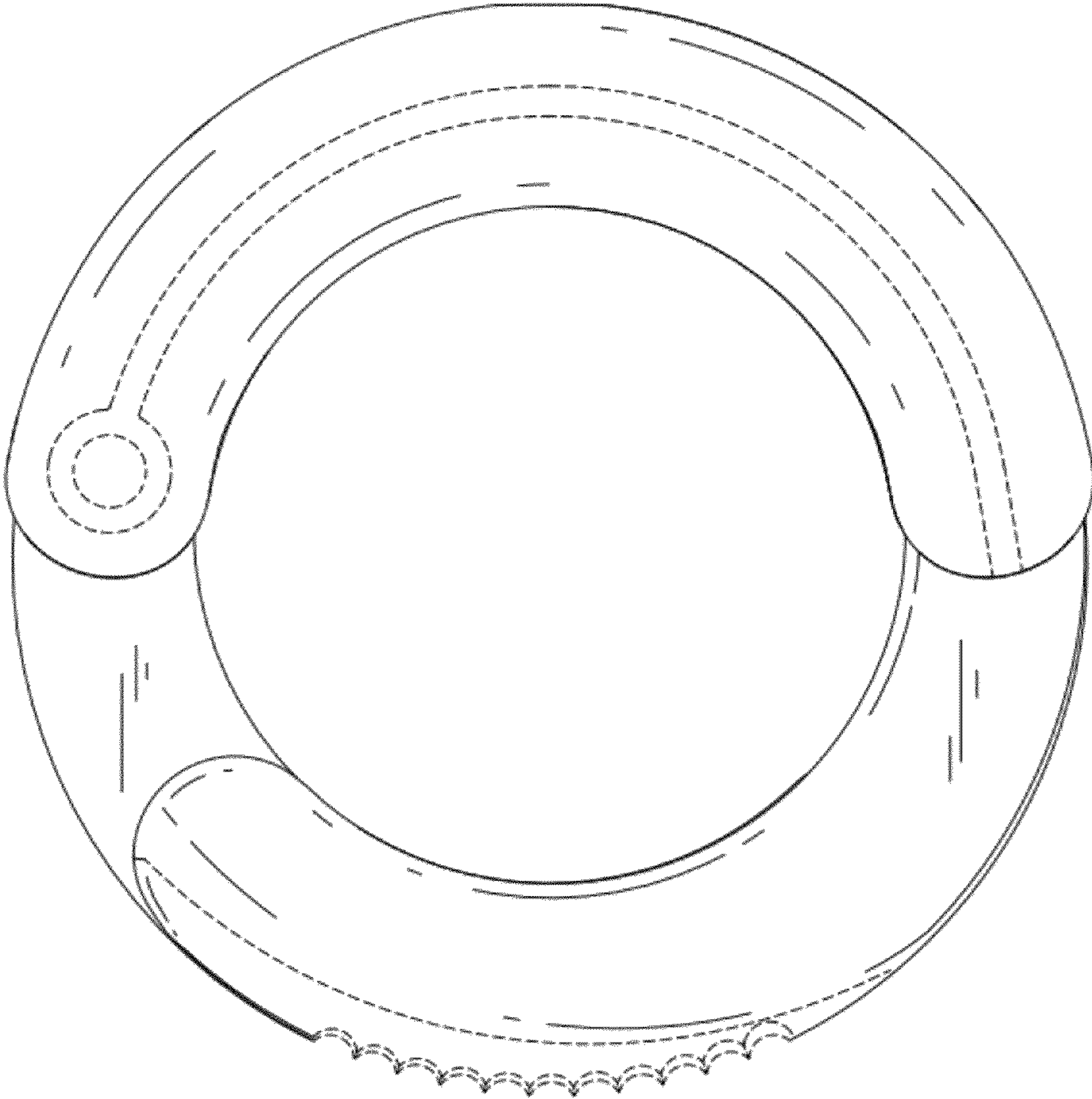


FIG. 2

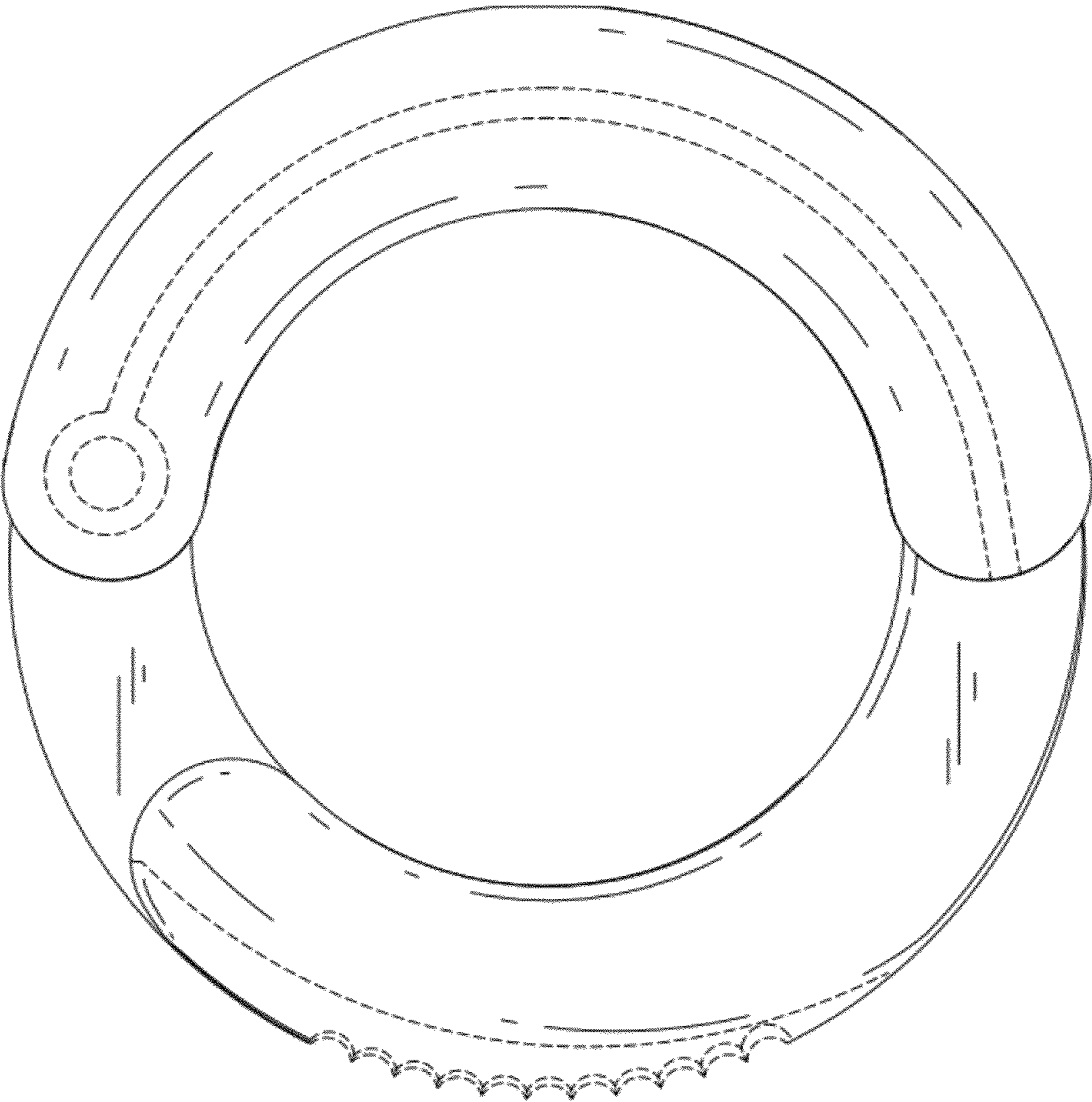


FIG. 3

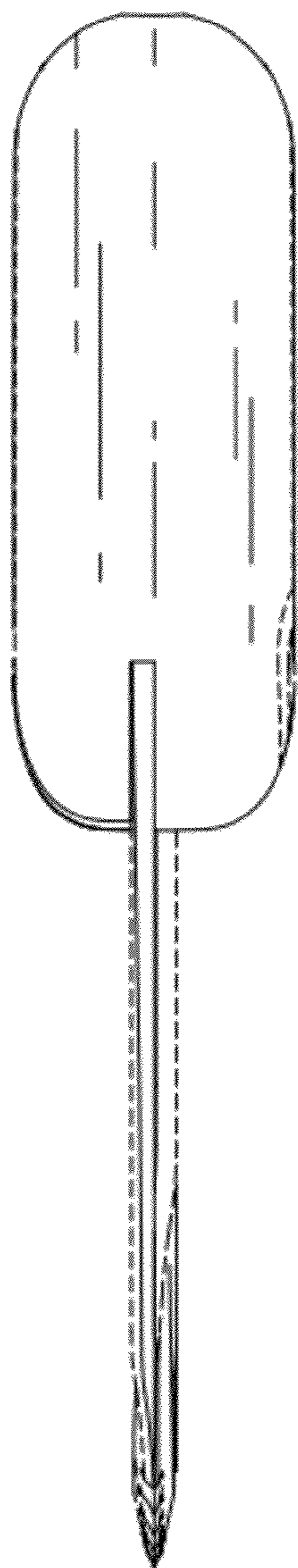


FIG. 4

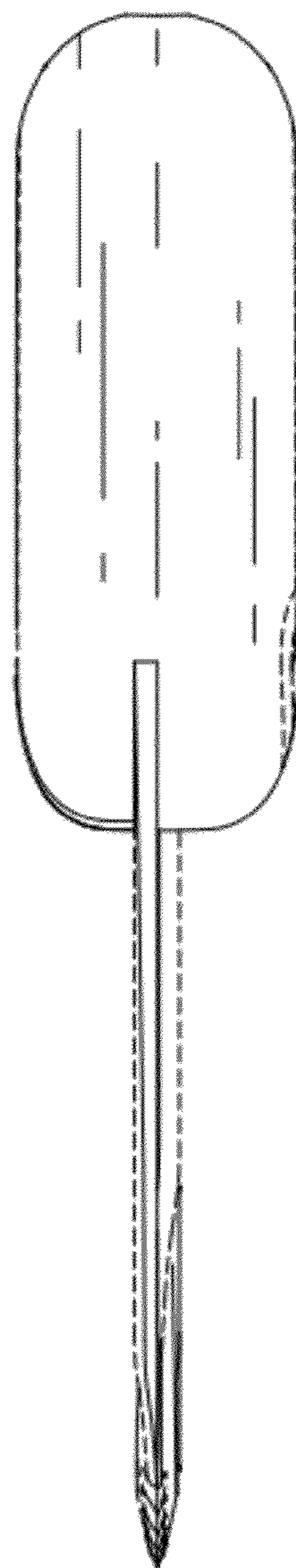


FIG. 5

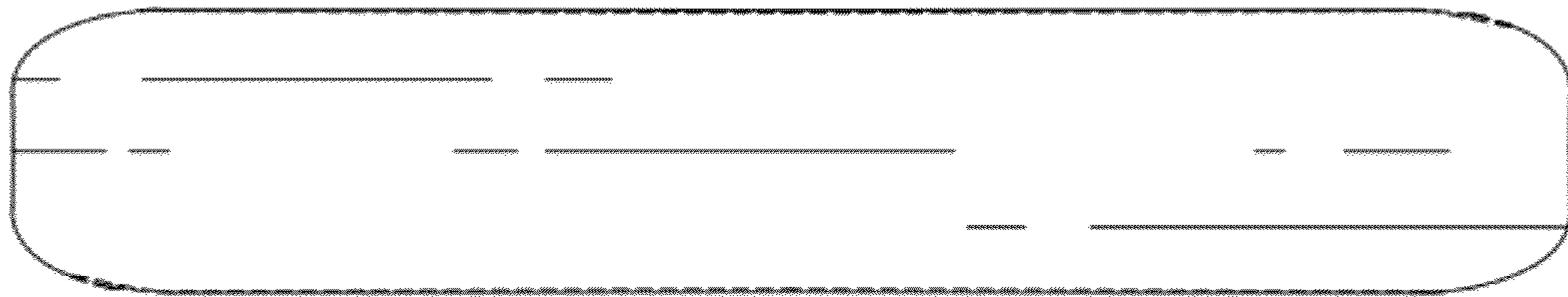


FIG. 6

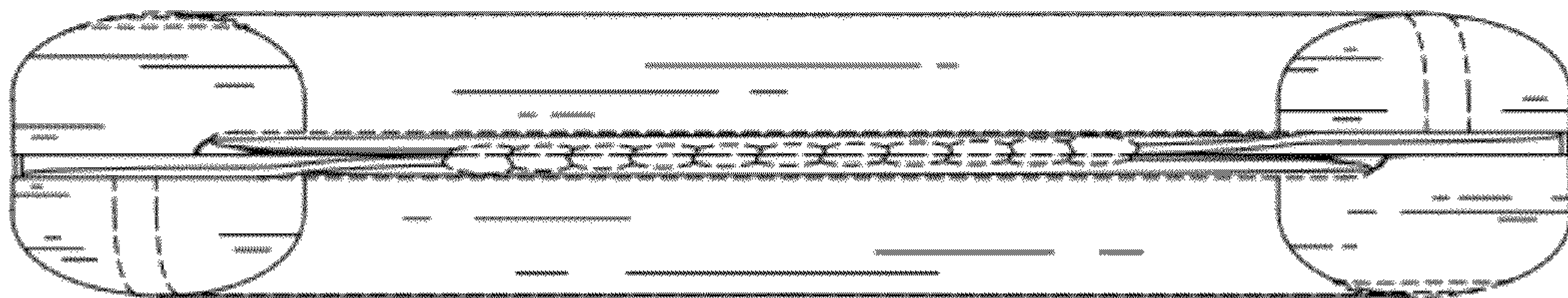


FIG. 7