

US00D661547S

(12) **United States Design Patent**  
**Brinckerhoff et al.**

(10) **Patent No.:** **US D661,547 S**  
(45) **Date of Patent:** **\*\* Jun. 12, 2012**

- (54) **JAR**
- (75) Inventors: **Amy Tinnell Brinckerhoff**, Newton, MA (US); **Morgan Blair Handley**, Somerville, MA (US); **David M. Audette**, Webster, MA (US); **Daniel Stephen Potter**, Dracut, MA (US)
- (73) Assignee: **Euro-Pro Operating LLC**, Newton, MA (US)
- (\*\*) Term: **14 Years**
- (21) Appl. No.: **29/401,121**
- (22) Filed: **Sep. 7, 2011**
- (51) **LOC (9) Cl.** ..... **07-02**
- (52) **U.S. Cl.** ..... **D7/413; D7/376; D7/378**
- (58) **Field of Classification Search** ..... D7/301-313, D7/316-319, 356-357, 368, 372-386, 391-398, D7/412-415, 515, 665, 679, 691; 99/326, 99/348, 492, 508-512; 241/30-37.5, 101.01-101.2, 241/166-169.1, 172, 285.1-285.3, 291, 292.1; 366/64-67, 98, 129, 142-144, 197-211, 366/241-254, 262, 279-292, 325.8, 325.92, 366/341-347; 416/75-77, 70 R, 163  
See application file for complete search history.

(56) **References Cited**

**U.S. PATENT DOCUMENTS**

- D347,144 S 5/1994 Brady
- D386,355 S \* 11/1997 Davidson et al. .... D7/378
- D386,357 S 11/1997 Davidson
- D390,416 S 2/1998 Hippen et al.

- D412,809 S \* 8/1999 Toro et al. .... D7/378
- D429,956 S 8/2000 Bohannon, Jr. et al.
- D433,598 S 11/2000 Naft et al.
- D435,192 S 12/2000 Bohannon, Jr. et al.
- D488,957 S 4/2004 Holderfield et al.
- D499,606 S \* 12/2004 Feil ..... D7/413
- D512,265 S \* 12/2005 McCurrach ..... D7/378
- D522,304 S \* 6/2006 Huang ..... D7/317
- D533,395 S \* 12/2006 Drees et al. .... D7/378
- D552,412 S \* 10/2007 Steiner ..... D7/378
- D553,904 S \* 10/2007 Romandy ..... D7/378
- D617,136 S \* 6/2010 Bock et al. .... D7/378
- D625,141 S \* 10/2010 Moore ..... D7/378
- D638,665 S \* 5/2011 Wu ..... D7/665
- D642,857 S \* 8/2011 Bodum ..... D7/378
- D645,301 S \* 9/2011 Tse ..... D7/378

\* cited by examiner

*Primary Examiner* — Ricky Pham

(74) *Attorney, Agent, or Firm* — BainwoodHuang

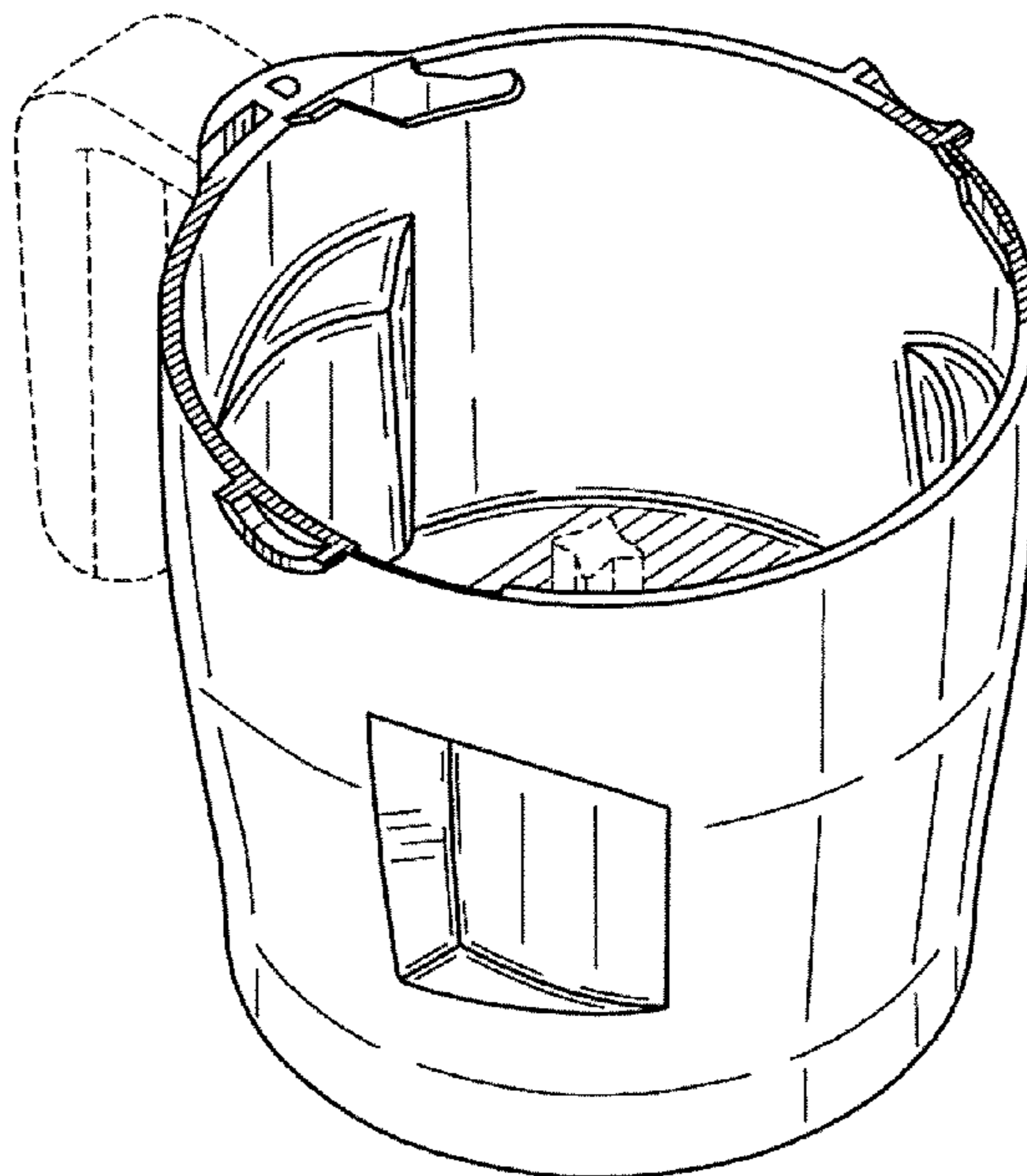
(57) **CLAIM**

The ornamental design of a jar, as shown and described.

**DESCRIPTION**

FIG. 1 is a perspective view of a jar in accordance with the present design;  
 FIG. 2 is a front elevational view thereof;  
 FIG. 3 is a rear elevational view thereof;  
 FIG. 4 is a left side elevational view thereof;  
 FIG. 5 is a right side elevational view thereof;  
 FIG. 6 is a top plan view thereof; and,  
 FIG. 7 is a bottom plan view thereof.  
 The broken lines in the drawings are for illustrative purposes only and form no part of the claimed design.

**1 Claim, 3 Drawing Sheets**



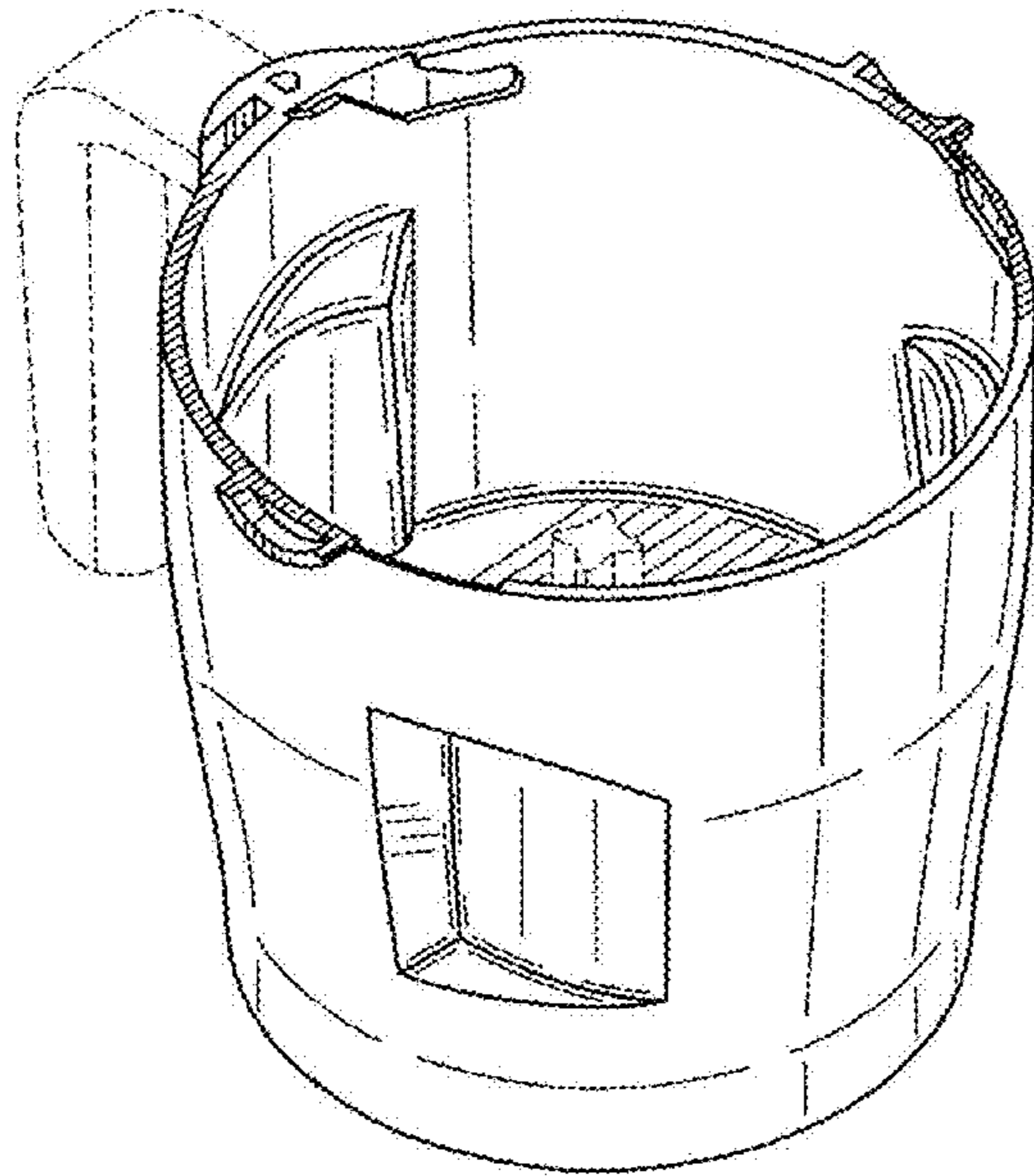


FIG. 1

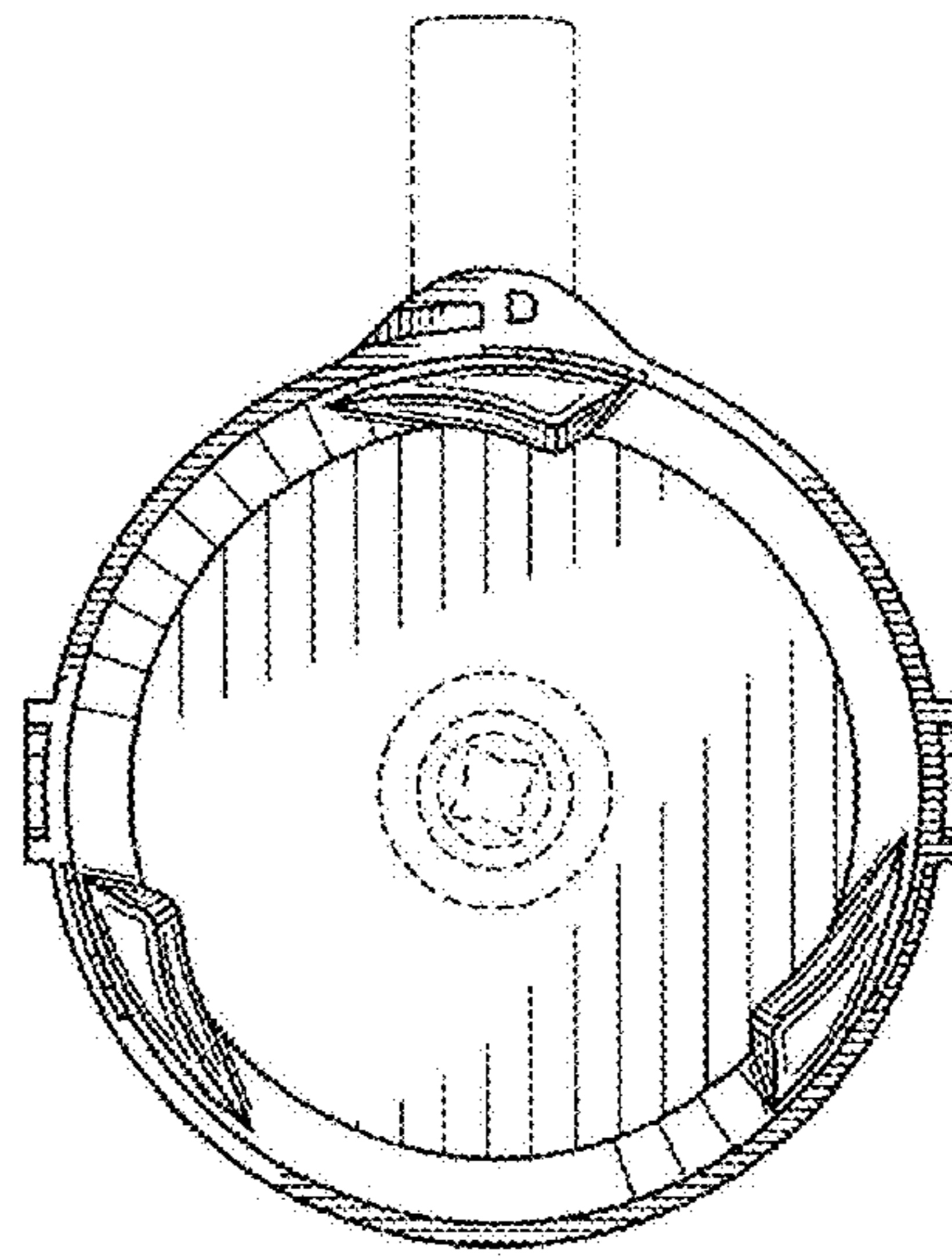


FIG. 6

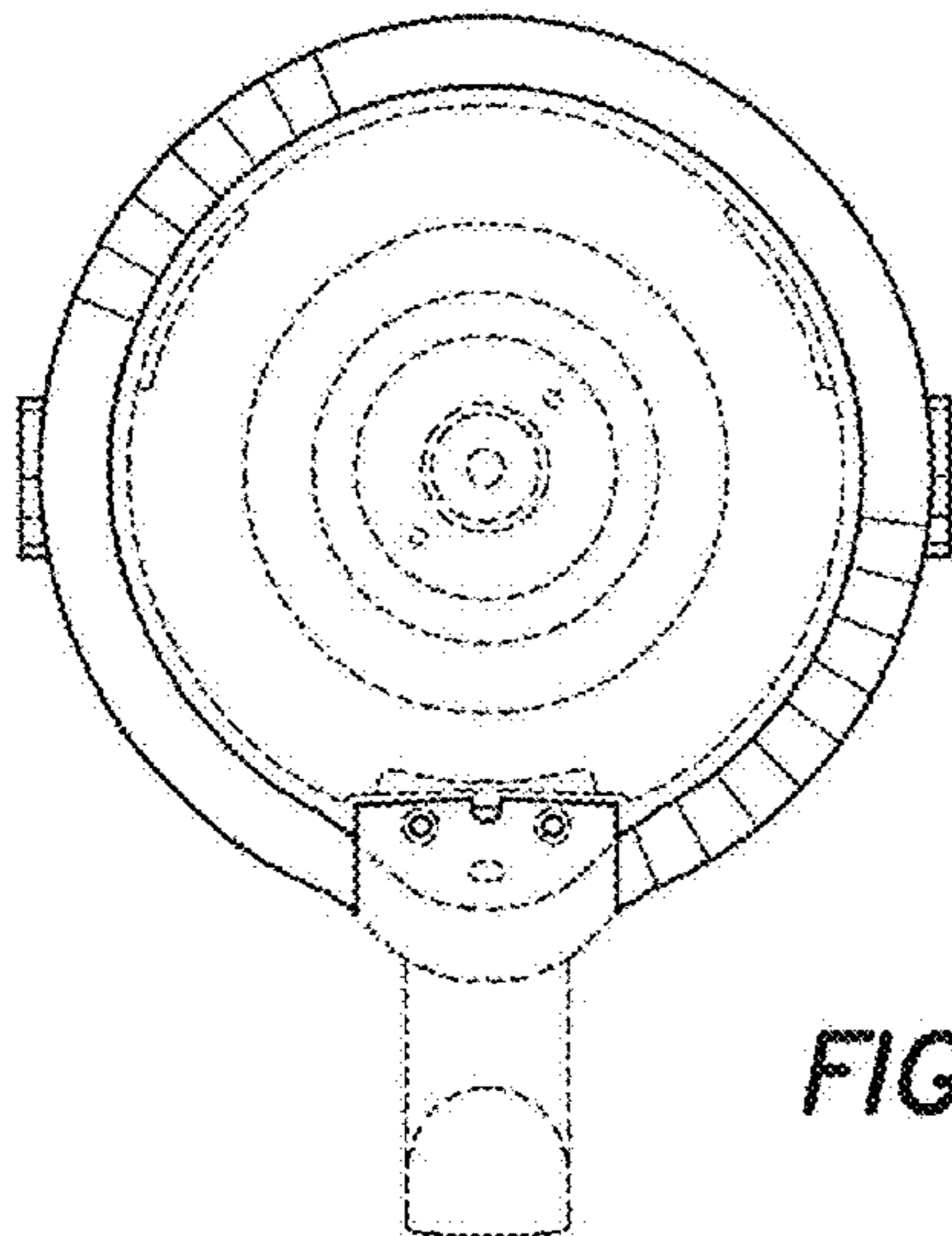
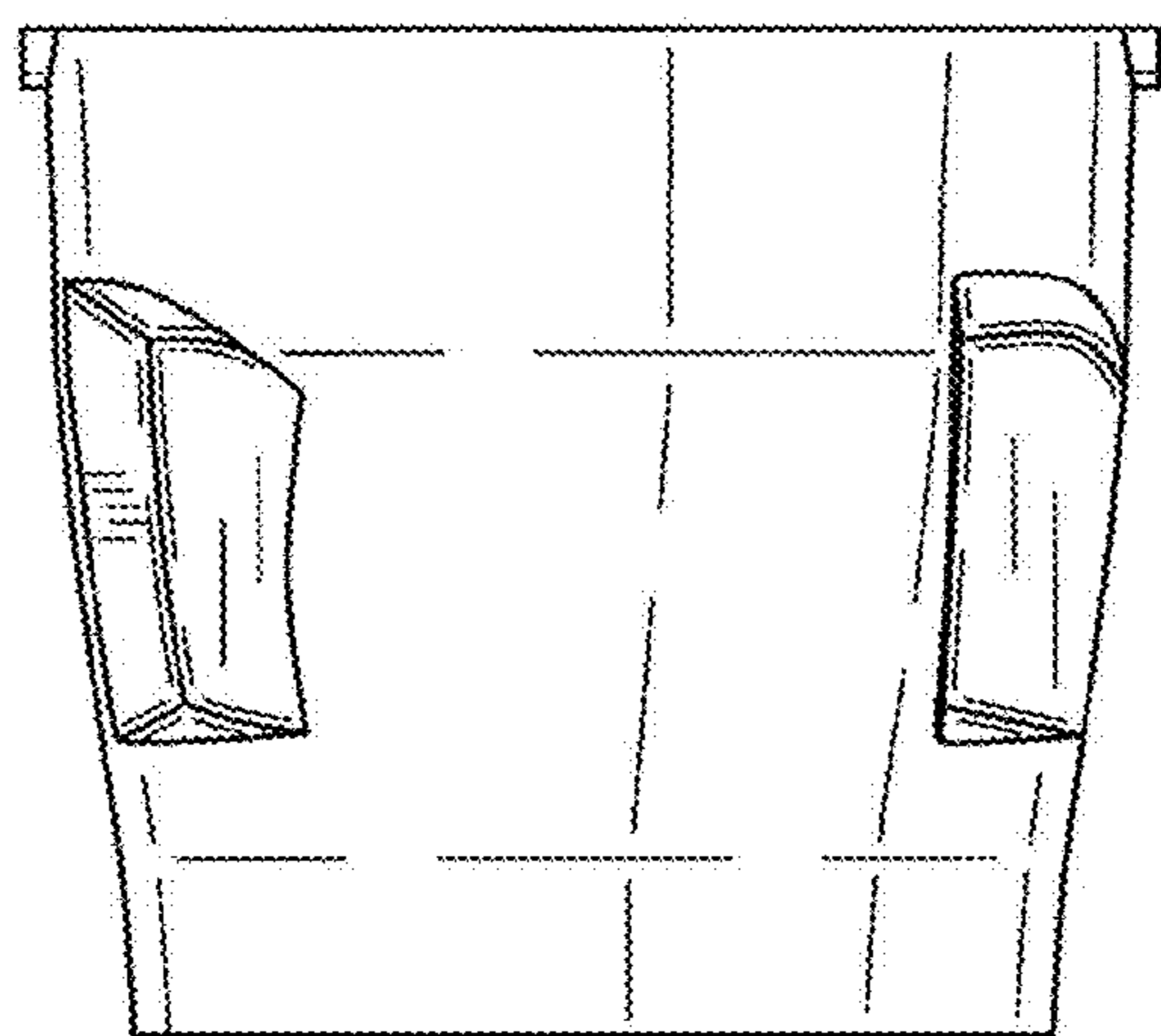
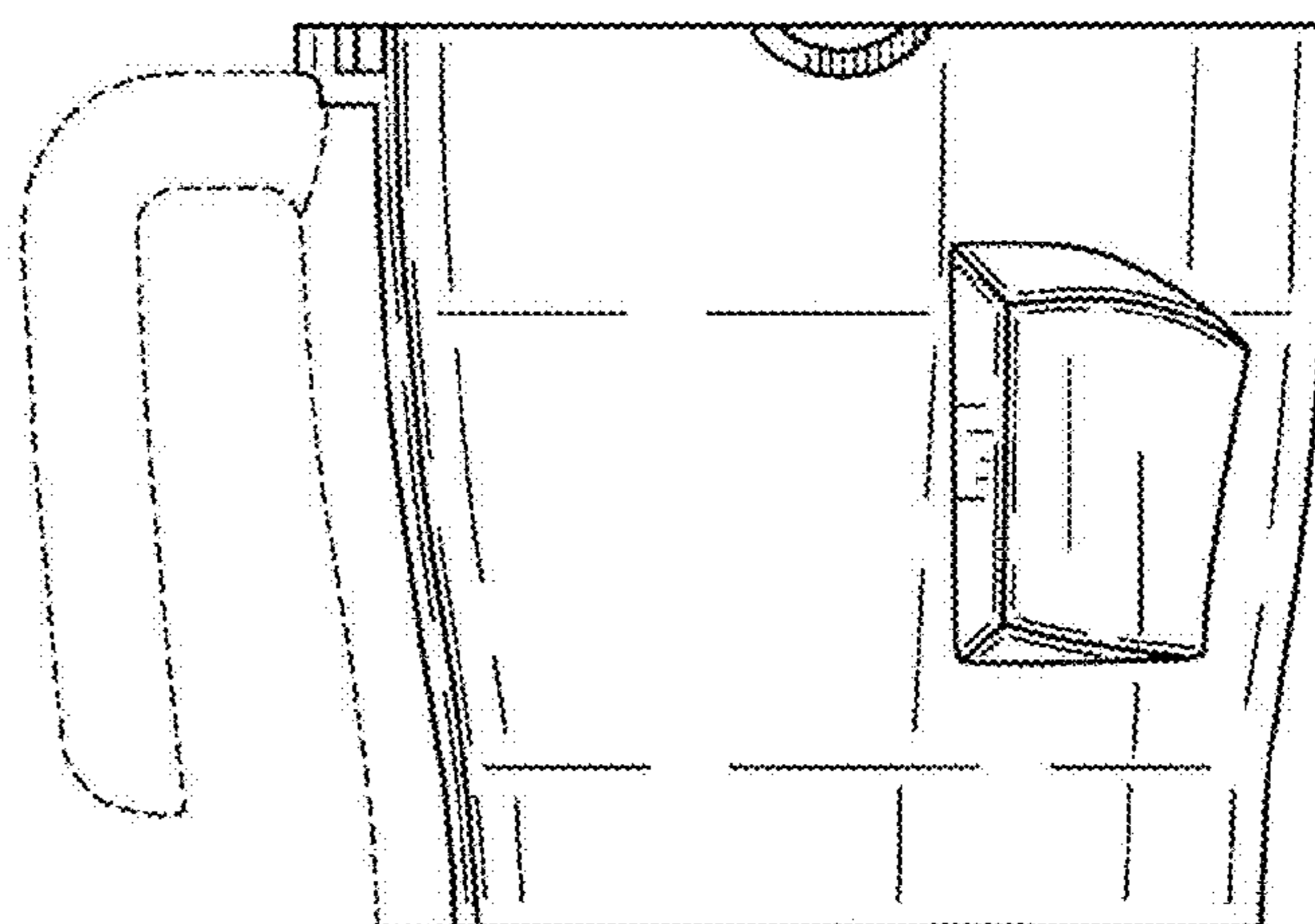


FIG. 7

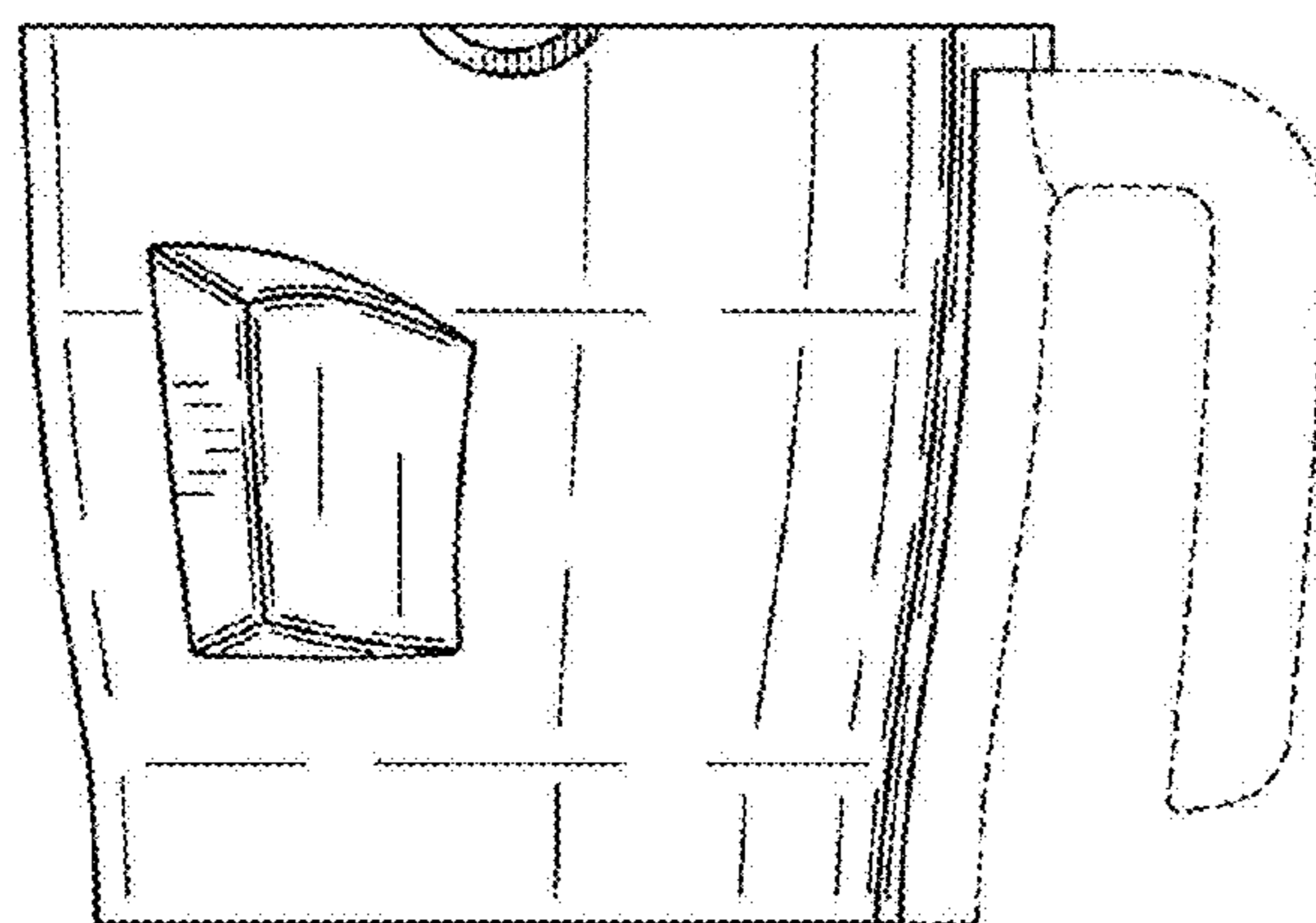
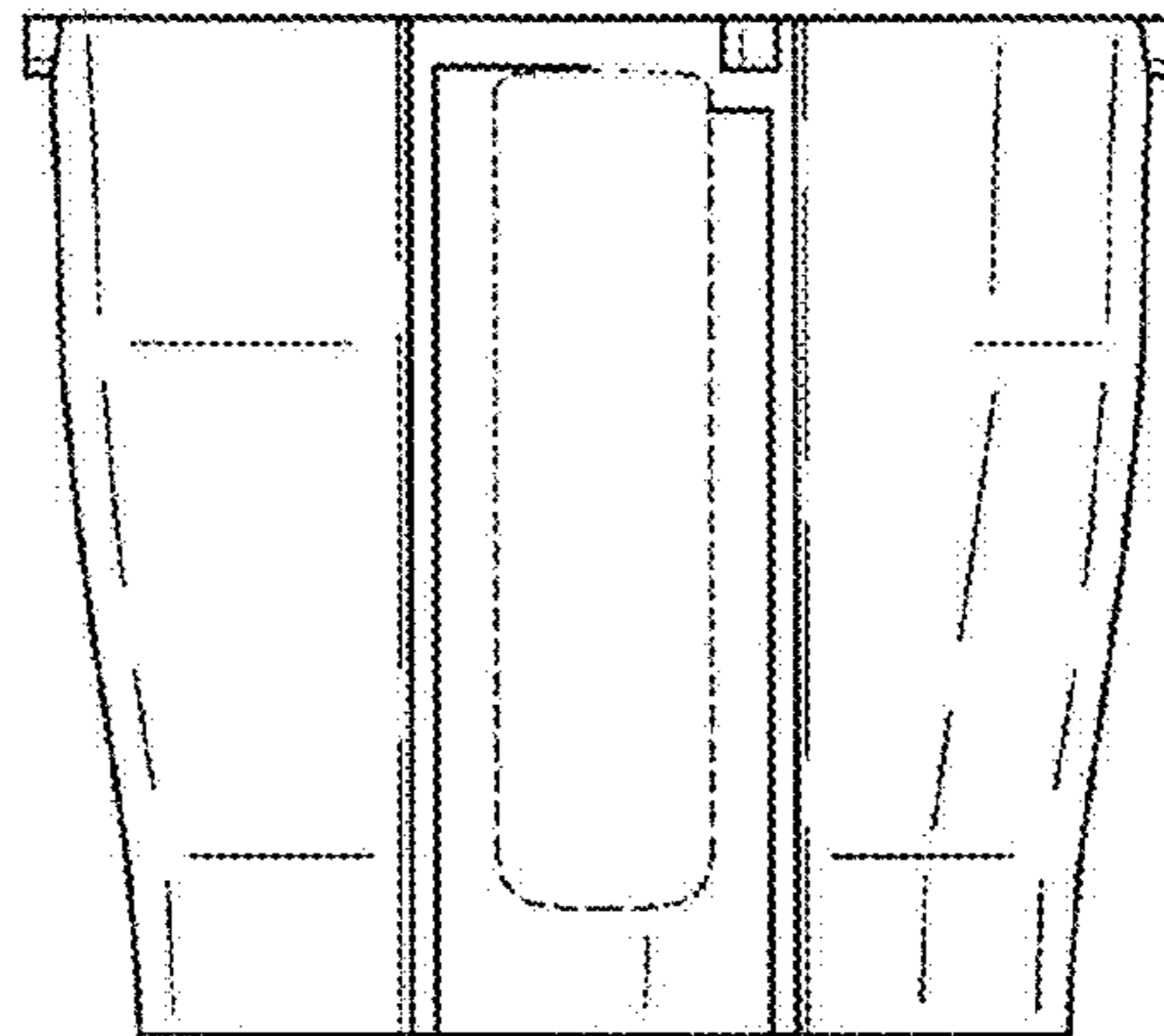


**FIG. 2**



**FIG. 4**

*FIG. 3*



*FIG. 5*